



US00D835037S

(12) **United States Design Patent**
Reynolds

(10) **Patent No.:** **US D835,037 S**

(45) **Date of Patent:** **** *Dec. 4, 2018**

(54) **REMOTE BALLAST**

2,606,998 A 8/1952 Winkler et al.

D177,532 S 4/1956 Meyer et al.

2,887,242 A 5/1959 Suarez Grau

(Continued)

(71) Applicant: **HGCI, Inc.**, Las Vegas, NV (US)

(72) Inventor: **Christopher Reynolds**, Vancouver, WA (US)

(73) Assignee: **IP Holdings, LLC**, Vancouver, WA (US)

(*) Notice: This patent is subject to a terminal disclaimer.

(**) Term: **15 Years**

(21) Appl. No.: **29/593,783**

(22) Filed: **Feb. 13, 2017**

Related U.S. Application Data

(63) Continuation of application No. 29/527,564, filed on May 20, 2015, now Pat. No. Des. 780,691.

(51) **LOC (11) Cl.** **13-02**

(52) **U.S. Cl.**
USPC **D13/110**

(58) **Field of Classification Search**
USPC D13/110, 108, 118, 123, 162, 168, 169, D13/174, 177, 184, 199; D14/257, 432, D14/438; 174/16.3, 17 R, 17.08; 361/600, 601, 690, 694, 695, 679.01, 361/679.61, 704, 730; 363/141, 142
CPC H05K 5/00; H05K 5/02; H05K 5/0247; H05K 7/00; H05K 7/20; H05K 7/20136; H05K 7/20154; H05K 7/209; H02M 7/00; H02M 7/003; H02M 1/28; H02J 7/0042
See application file for complete search history.

(56) **References Cited**

U.S. PATENT DOCUMENTS

D123,768 S 12/1940 Scribner
2,555,630 A * 6/1951 Bishner H02M 1/28
307/150

OTHER PUBLICATIONS

Pro Gear 1000 Watt Magnetic Ballast, image post date 2012, site visited Oct. 16, 2015 (online), <<http://growhop.ie/index.php/pro-gear-1000-watt-magnetic-ballast.html>>.

(Continued)

Primary Examiner — Derrick Holland

(74) *Attorney, Agent, or Firm* — J. Douglas Wells

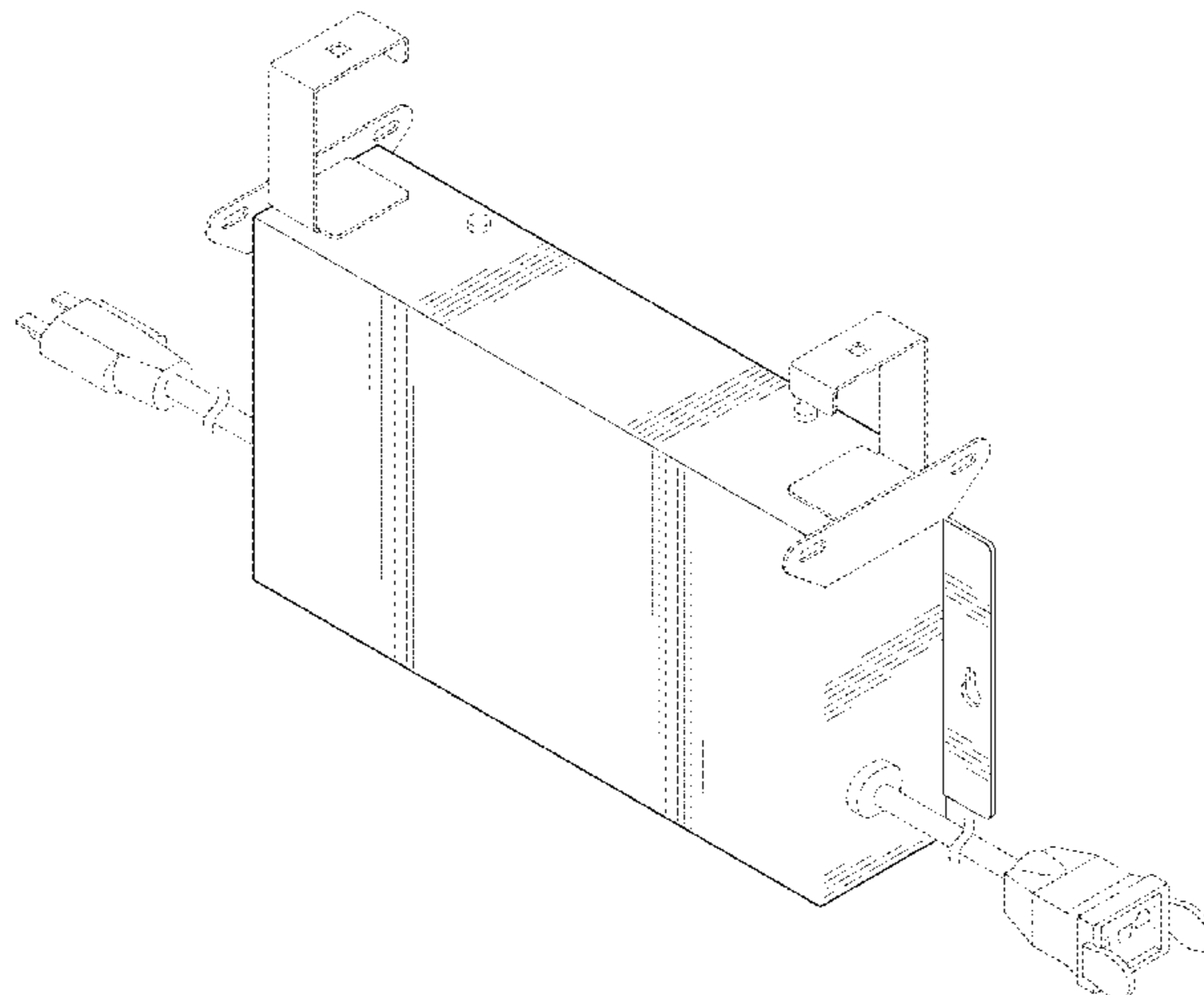
(57) **CLAIM**

The ornamental design for a remote ballast, as shown and described.

DESCRIPTION

FIG. 1 is a perspective view of a remote ballast showing my new design;
FIG. 2 is another perspective view of the remote ballast shown in FIG. 1;
FIG. 3 is a front elevation view of the remote ballast shown in FIG. 1;
FIG. 4 is a rear elevation view of the remote ballast shown in FIG. 1;
FIG. 5 is a top plan view of the remote ballast shown in FIG. 1;
FIG. 6 is a bottom plan view of the remote ballast shown in FIG. 1;
FIG. 7 is a right side view of the remote ballast shown in FIG. 1;
FIG. 8 is a left side view of the remote ballast shown in FIG. 1; and,
FIG. 9 is an exploded perspective view of the remote ballast, as shown in FIG. 2.
The broken lines shown represent unclaimed subject matter and form no part of the claimed design.

1 Claim, 7 Drawing Sheets



(56)

References Cited

U.S. PATENT DOCUMENTS

D201,083 S 5/1965 Pam
 3,197,545 A 7/1965 Moore
 D213,580 S 3/1969 Osborne
 3,741,292 A 6/1973 Aakalu et al.
 3,829,677 A 8/1974 DeLlano
 4,078,169 A 3/1978 Armstrong
 4,214,797 A 7/1980 Borresen
 4,394,692 A 7/1983 Randmae
 4,413,674 A 11/1983 Avery et al.
 4,471,898 A 9/1984 Parker
 D277,892 S 3/1985 Reding
 4,602,826 A 7/1986 Zimmer
 D292,619 S 11/1987 Chen
 D292,913 S 11/1987 Shaper
 4,745,966 A 5/1988 Avery
 4,872,102 A * 10/1989 Getter H02M 7/003
 307/150
 4,924,152 A 5/1990 Flickinger
 5,031,070 A 7/1991 Hsu
 5,140,225 A 8/1992 Barton
 5,159,528 A 10/1992 Murphy
 D339,324 S 9/1993 Ahn
 5,260,851 A 11/1993 Chiou
 5,278,351 A 1/1994 Herrick
 5,309,315 A 5/1994 Naedel
 D348,869 S 7/1994 Egger
 D360,047 S 7/1995 Zimmerman
 5,446,617 A 8/1995 Blocher et al.
 5,483,423 A 1/1996 Lewis
 D373,625 S 9/1996 Pereira
 D380,443 S * 7/1997 Ahn D13/110
 D387,333 S 12/1997 Pellow et al.
 D387,970 S 12/1997 Enslen
 5,867,369 A 2/1999 Antonuccio
 5,874,788 A 2/1999 McCarthy
 5,894,884 A 4/1999 Durian
 D409,139 S 5/1999 Cornell
 5,917,696 A 6/1999 Peng
 5,944,210 A 8/1999 Yetter
 D413,567 S 9/1999 Person
 6,005,768 A 12/1999 Jo
 6,038,126 A 3/2000 Weng
 D425,462 S 5/2000 Ujiie
 D427,147 S 6/2000 Wei
 D427,969 S 7/2000 Wei
 6,082,842 A 7/2000 Ho
 D432,639 S 10/2000 Durian
 6,129,429 A 10/2000 Hardt
 6,147,859 A 11/2000 Abboud
 D437,288 S 2/2001 Light
 6,411,514 B1 6/2002 Hussaini
 6,445,663 B1 9/2002 Chen
 6,527,422 B1 3/2003 Hutchison
 6,548,948 B1 4/2003 Muessli
 D477,568 S 7/2003 Milby
 6,595,662 B2 7/2003 Wardenburg
 D478,547 S 8/2003 Milby
 D483,329 S 12/2003 Kuo
 6,679,619 B2 1/2004 Saieva
 6,693,371 B2 2/2004 Ziegler
 6,697,258 B1 2/2004 Muhlfeld
 6,758,353 B2 7/2004 Orr
 D505,915 S 7/2005 Hussaini
 D510,320 S 10/2005 Tuomola
 6,960,842 B2 11/2005 Ziegler
 7,040,491 B1 5/2006 Clapood
 D523,803 S 6/2006 Smith et al.
 D524,245 S 7/2006 Carson
 7,083,309 B2 8/2006 Chan
 D534,119 S 12/2006 Miller
 7,164,581 B2 1/2007 Carullo
 D537,777 S 3/2007 Hargreaves
 D542,460 S 5/2007 Hargreaves

D545,737 S 7/2007 Sherman
 D545,996 S 7/2007 Hargreaves
 7,247,954 B1 * 7/2007 Dowdle H01R 13/6675
 307/150
 D550,894 S 9/2007 Huang
 D554,062 S 10/2007 Ohmi
 7,397,670 B2 7/2008 Su
 7,524,090 B2 4/2009 Hargreaves
 7,566,104 B2 7/2009 Chen
 7,696,872 B2 4/2010 Burwell
 D615,848 S 5/2010 Prichard et al.
 D619,276 S 7/2010 Choi
 7,782,605 B2 8/2010 Wu
 D625,168 S 10/2010 Chen
 D625,877 S 10/2010 Hsu
 D627,503 S 11/2010 Postelmans
 D627,919 S 11/2010 Trice
 D638,307 S 5/2011 Rossi
 D639,495 S 6/2011 Huang
 D643,964 S 8/2011 Heyrman
 D654,021 S 2/2012 Sweeney
 D654,350 S 2/2012 Preda
 D663,228 S 7/2012 Reinbach
 D663,459 S 7/2012 Wauters
 D663,469 S 7/2012 Lee
 8,238,117 B2 8/2012 Burwell
 D668,810 S 10/2012 Bryant
 D673,720 S 1/2013 Bailey
 D675,365 S 1/2013 Beghelli
 D678,599 S 3/2013 Boyer
 D691,074 S 10/2013 Dugardin
 D692,827 S 11/2013 Chen
 D696,165 S 12/2013 Campbell
 D698,074 S 1/2014 Hargreaves
 D704,375 S 5/2014 Bailey
 D705,230 S 5/2014 Hung
 D709,448 S 7/2014 Zhang
 D710,000 S 7/2014 Moreno
 D710,528 S 8/2014 Wardenburg
 D710,530 S 8/2014 Chang
 D711,818 S 8/2014 Maki
 D714,253 S 9/2014 Aglassinger
 D715,148 S 10/2014 Kuo
 D715,476 S 10/2014 Tien
 D716,730 S 11/2014 Liu
 D724,257 S 3/2015 Klus
 D725,820 S 3/2015 Hargreaves
 D727,846 S 4/2015 Wen
 D731,688 S 6/2015 Piano
 D739,347 S 9/2015 Huang
 D743,610 S 11/2015 Inzinger
 D743,890 S 11/2015 Liu
 D747,029 S 1/2016 Reynolds
 D748,850 S 2/2016 Johnson et al.
 D752,803 S 3/2016 Reyes
 D756,016 S 5/2016 Hargreaves
 D757,344 S 5/2016 Reynolds
 D761,481 S 7/2016 Reynolds
 D786,475 S 5/2017 Hargreaves
 2002/0141195 A1 10/2002 Wardenburg
 2008/0251663 A1 10/2008 Tracy
 2010/0319953 A1 12/2010 Yochum et al.
 2011/0025797 A1 2/2011 Rosati et al.
 2011/0025803 A1 2/2011 Rosati

OTHER PUBLICATIONS

Hot Head 1000 Watt Ballast, image post date Jun. 7, 2014, site visited Oct. 16, 2015, (online), <<http://tineye.com/search/16ab65f3e8fc49af5495f0d8aed1735afa6524e/?pluginver=>>.
 1000 W Hardcore Ballast—Yield Master 6 in Air-cooled Bundle, image post date Jun. 9, 2014, site visited Oct. 16, 2015, (online), <<http://web.archive.org/web/20140609182241/http://4hydroponics.com/sunlight-supply>>.

* cited by examiner

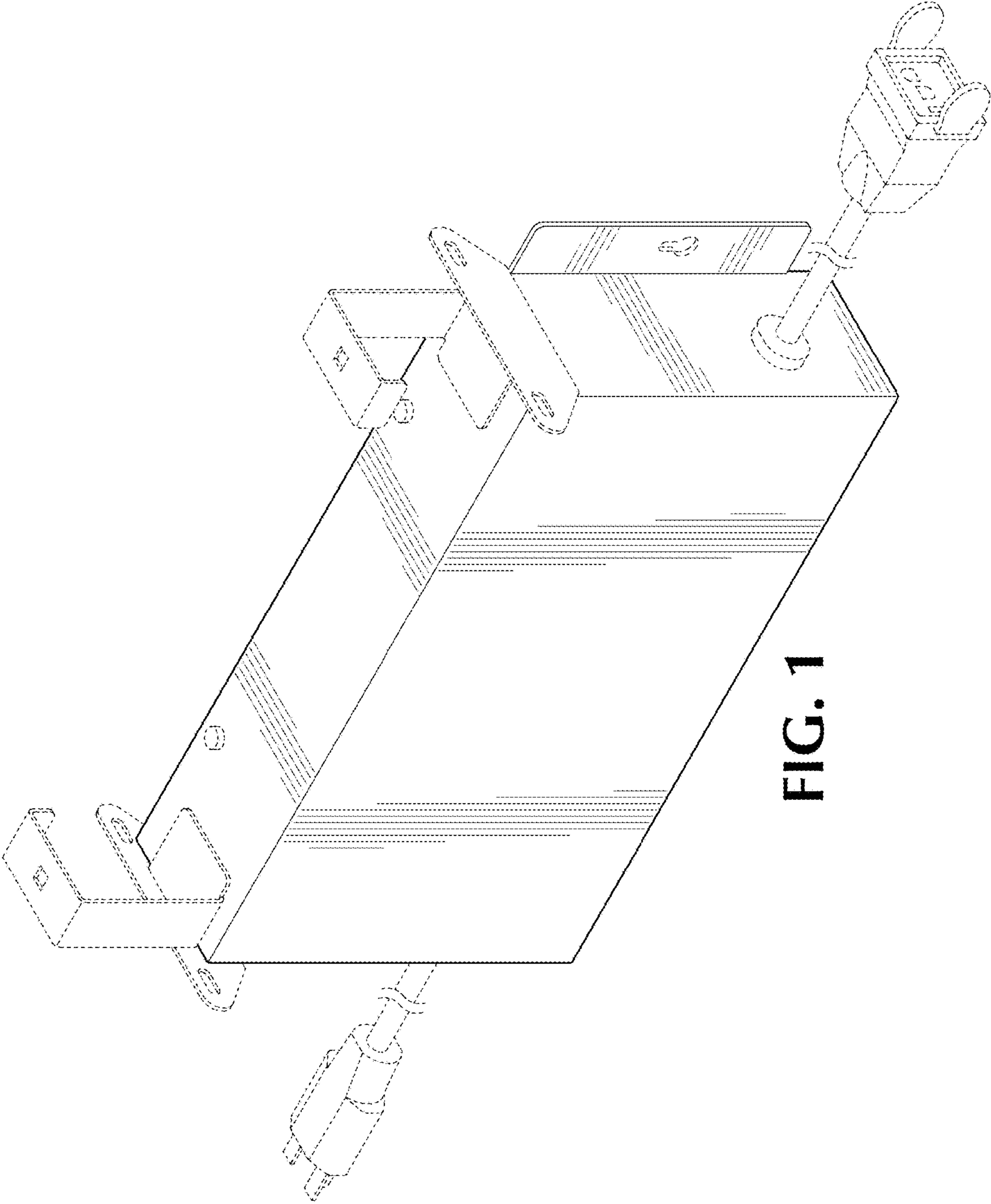


FIG. 1

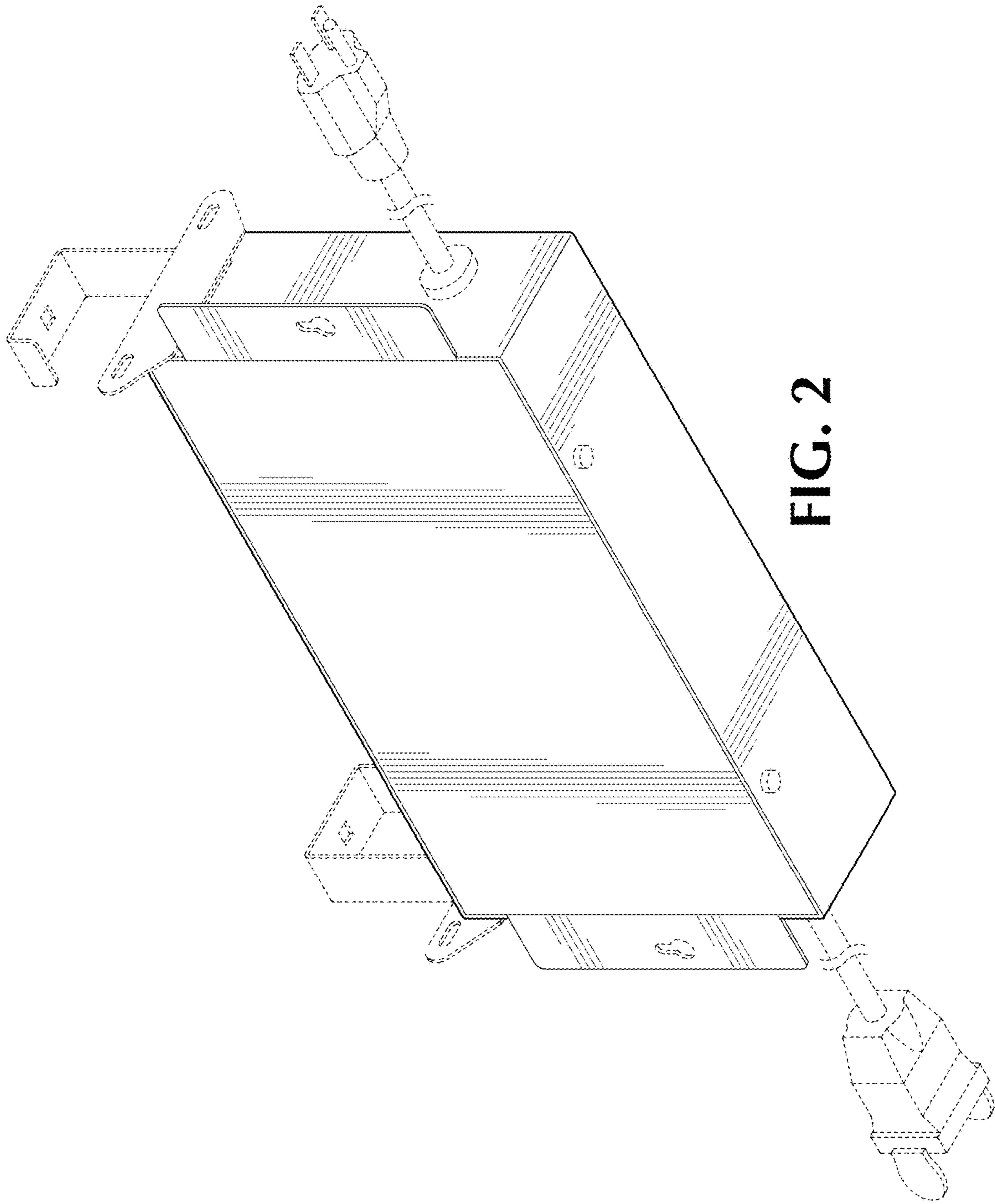


FIG. 2

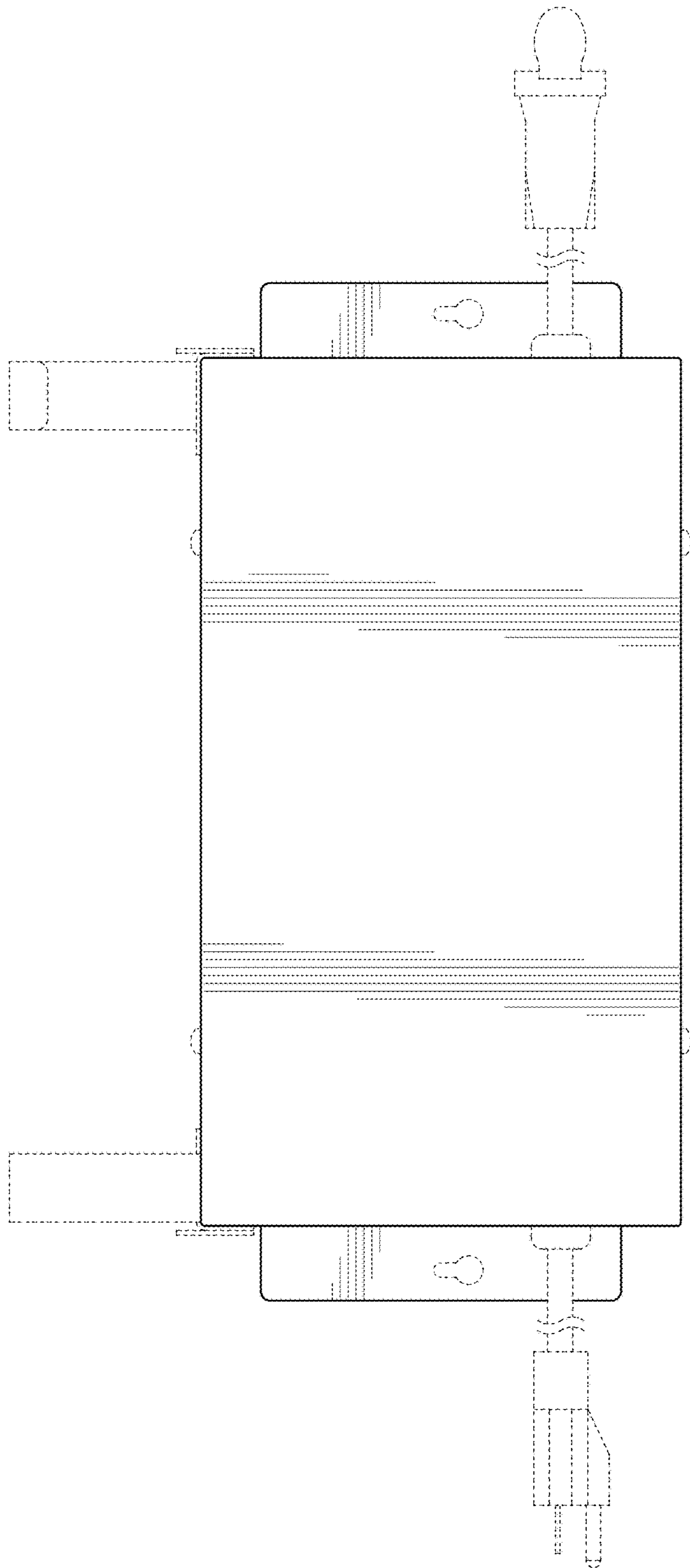


FIG. 3

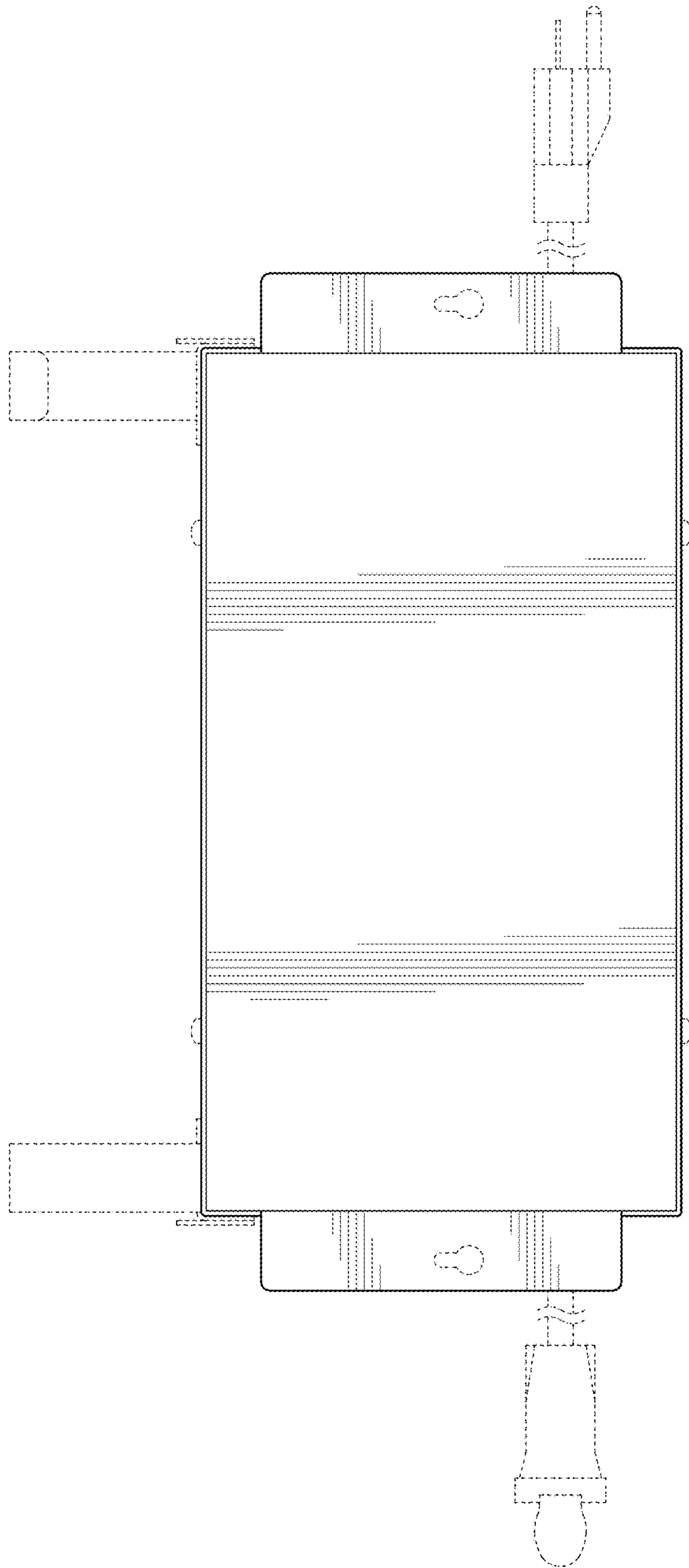


FIG. 4

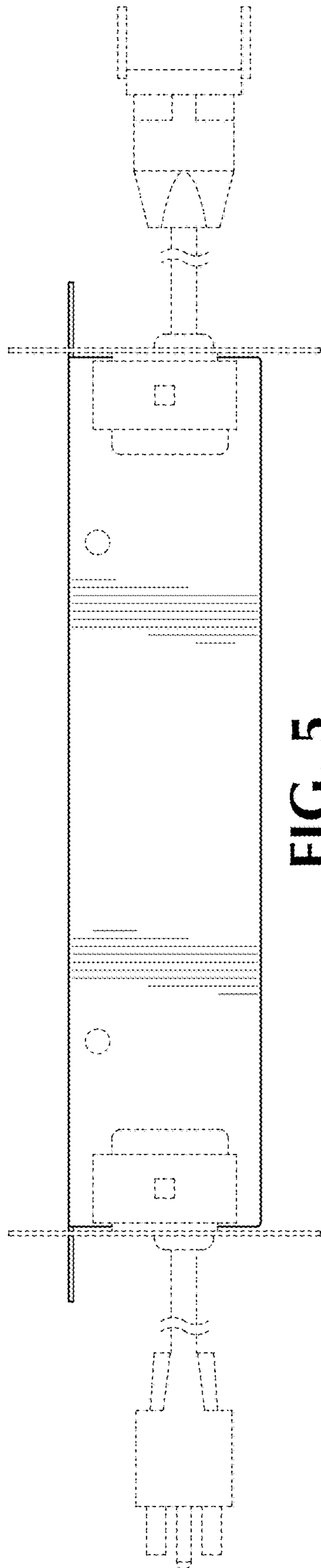


FIG. 5

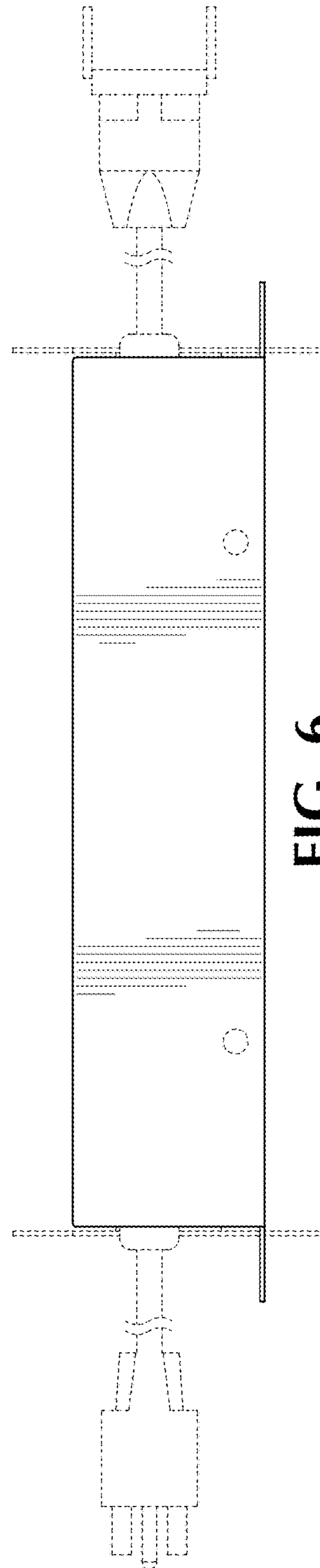


FIG. 6

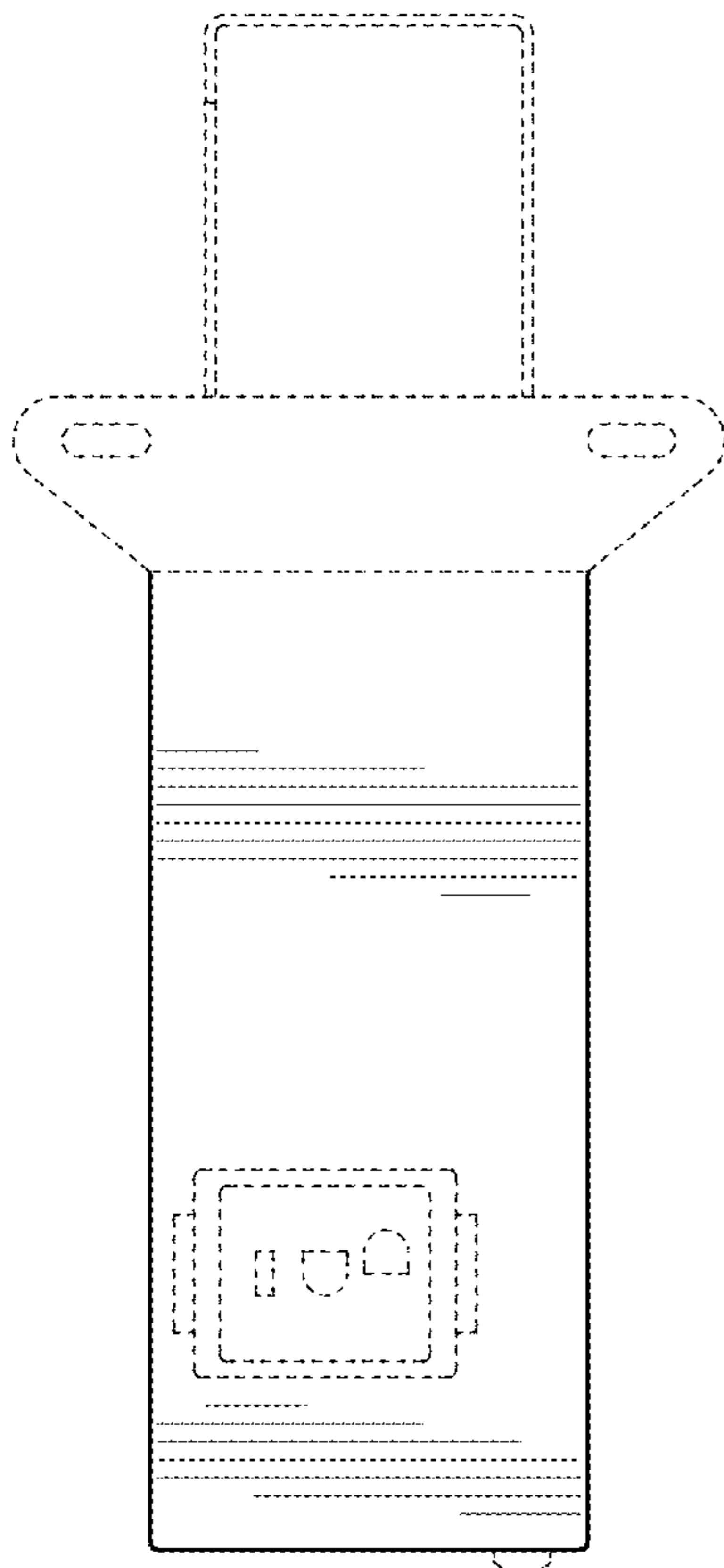


FIG. 7

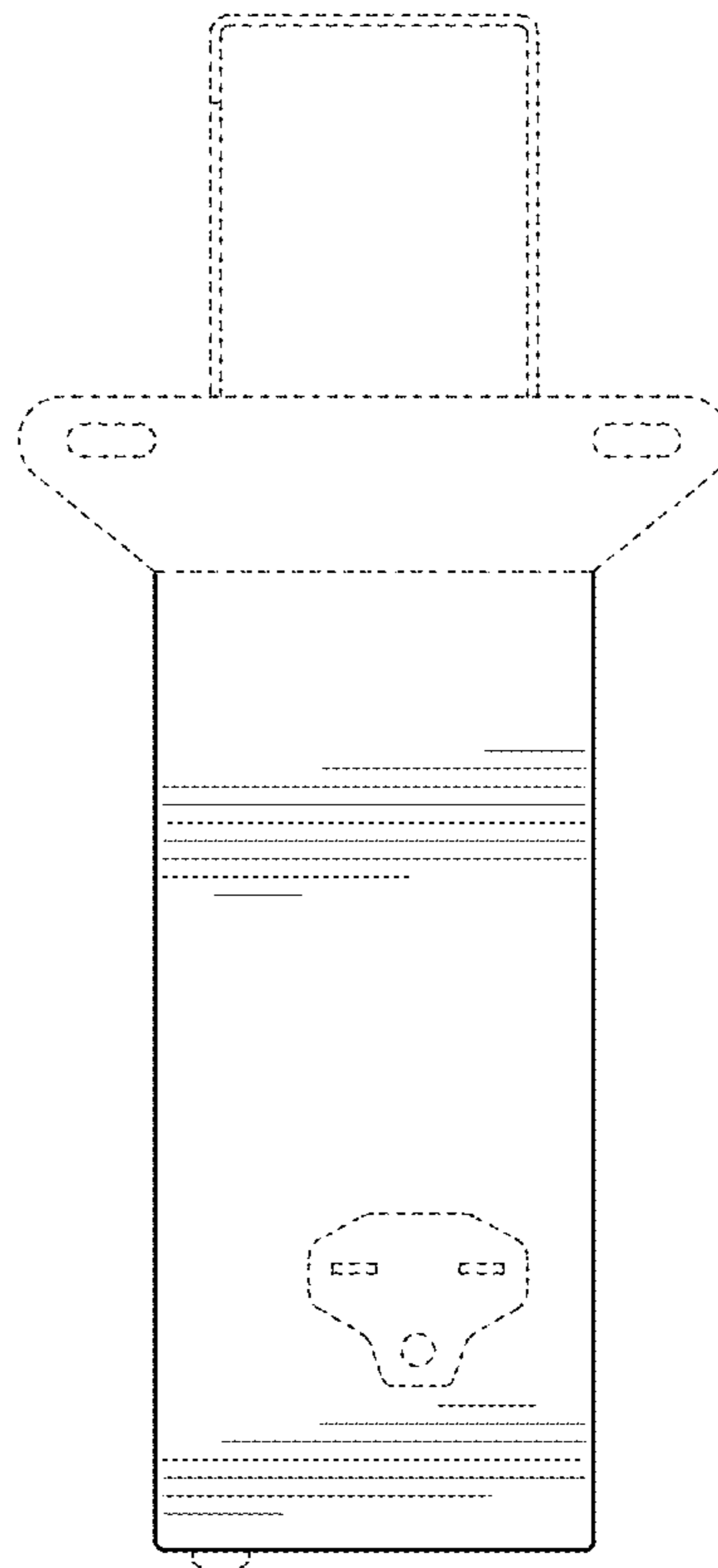


FIG. 8

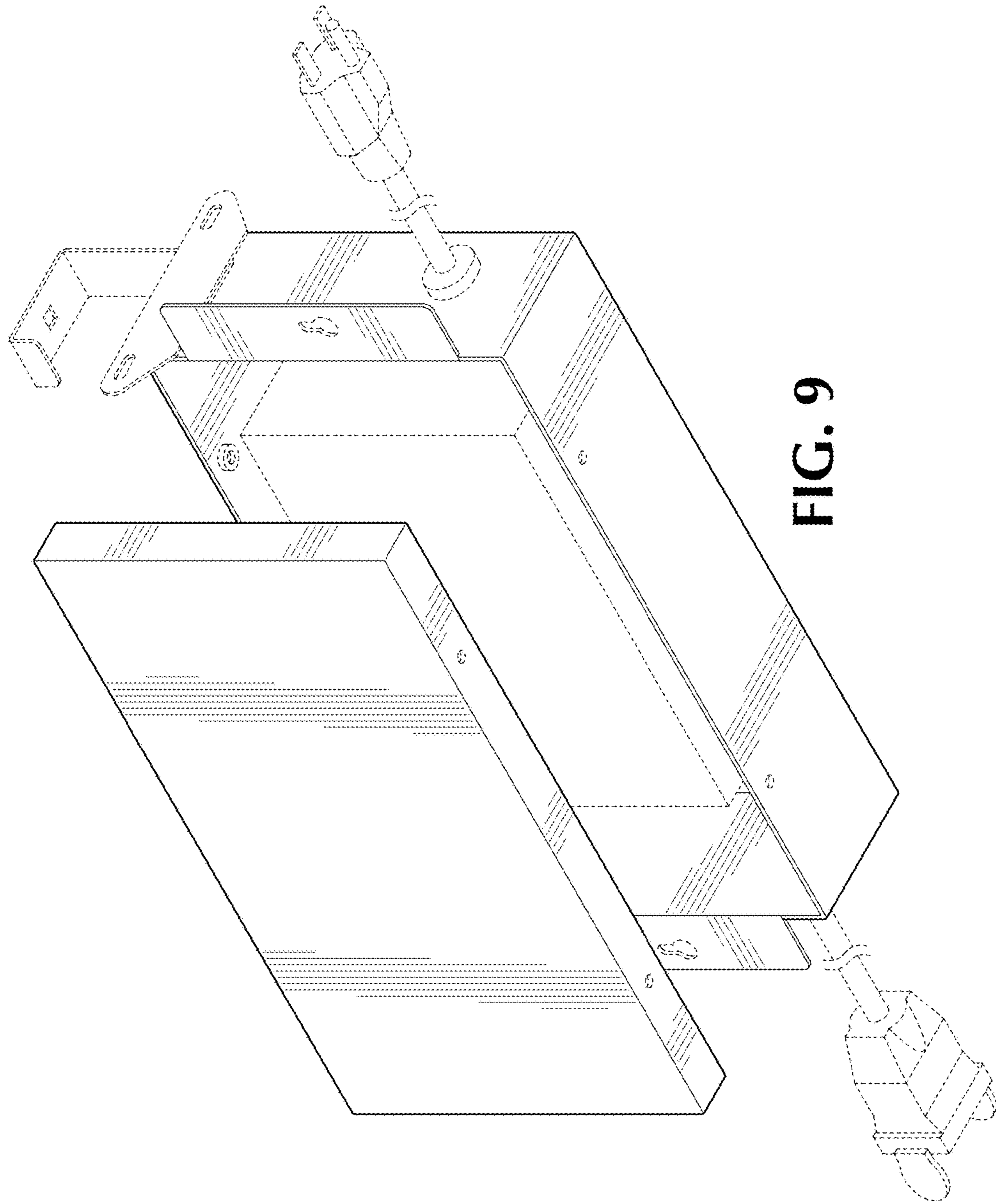


FIG. 9