

US00D835036S

(12) **United States Design Patent** (10) **Patent No.:** **US D835,036 S**
Dunham et al. (45) **Date of Patent:** **** Dec. 4, 2018**

- (54) **CHARGER FOR A VIDEO GAME CONTROLLER**
- (71) Applicant: **Performance Designed Products LLC**,
Burbank, CA (US)
- (72) Inventors: **Jacob Eliades Dunham**, Oceanside,
CA (US); **Bradley M. Strahle**,
Crestline, CA (US); **Christopher
Michael Mancini**, Los Angeles, CA
(US)
- (73) Assignee: **Performance Designed Products LLC**,
Burbank, CA (US)
- (**) Term: **15 Years**
- (21) Appl. No.: **29/646,370**
- (22) Filed: **May 3, 2018**

Related U.S. Application Data

- (62) Division of application No. 29/638,297, filed on Feb. 26, 2018.
- (51) **LOC (11) Cl.** **13-02**
- (52) **U.S. Cl.**
USPC **D13/108**
- (58) **Field of Classification Search**
USPC D13/107-110, 118-119, 184; D14/251,
D14/253, 432, 434
CPC Y02E 60/12; Y02T 90/14; Y02T 90/122;
Y02T 90/128; Y02T 90/163; H02J 7/025;
H02J 7/0042; H02J 7/0044; H02J 7/0045;
H02J 7/0003; H01F 38/14; H01R
13/6675; H01M 2/1022; H01M 2/1055;
H01M 10/44; H01M 10/46; H01M
10/425; B60L 11/182
See application file for complete search history.

- (56) **References Cited**
U.S. PATENT DOCUMENTS
D350,329 S 9/1994 Lindeman
D411,989 S 7/1999 Grossman
D476,659 S 7/2003 Ying
D487,651 S * 3/2004 Bloch D6/678.3
D526,995 S 8/2006 Claxton
D538,740 S 3/2007 Dunbar
D552,615 S 10/2007 Kuroiwa
(Continued)

FOREIGN PATENT DOCUMENTS

CN 103328058 B 11/2015

OTHER PUBLICATIONS

Fosmon Dual Conductive Charging Station, <http://www.fosmon.com/product/dual-conductive-charging-station-xbox-one-xbox-one-x-controllers/>, copyright 2017, 4 pp.
(Continued)

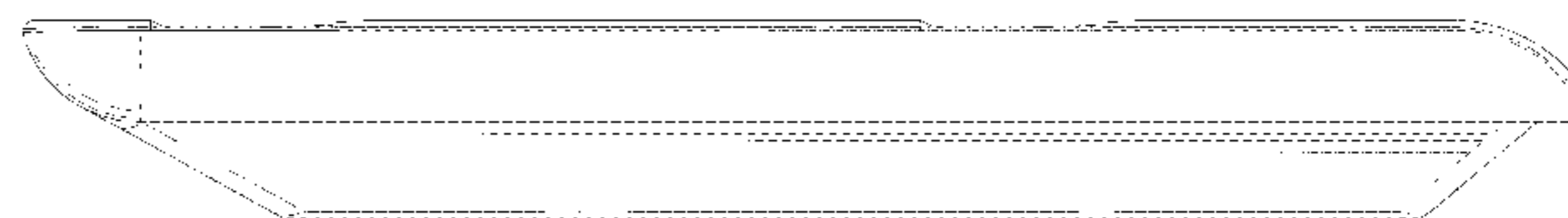
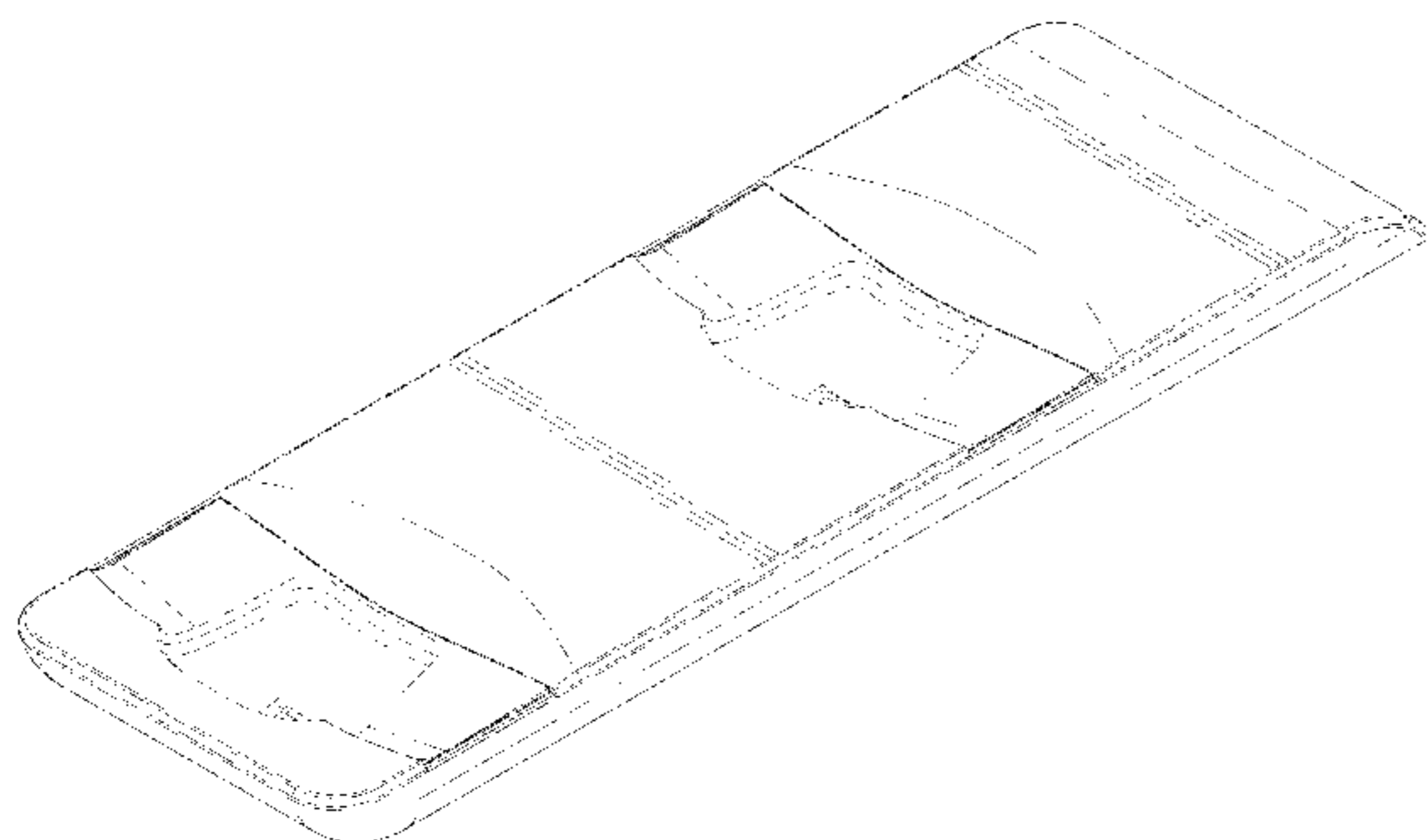
Primary Examiner — Rosemary K Tarcza
Assistant Examiner — Nathaniel D. Buckner
(74) *Attorney, Agent, or Firm* — Knobbe, Martens, Olson & Bear LLP

(57) **CLAIM**
We claim the ornamental design for a charger for a video game controller, as shown and described.

DESCRIPTION

FIG. 1 is a perspective top view of a charger for a video game controller;
FIG. 2 is a rear view thereof;
FIG. 3 is a front view thereof;
FIG. 4 is a right side view thereof;
FIG. 5 is a left side view thereof;
FIG. 6 is a top view thereof; and,
FIG. 7 is a bottom view thereof.
The broken lines in the figures depict portions of the article which form no part of the claimed design.

1 Claim, 7 Drawing Sheets



(56)

References Cited

U.S. PATENT DOCUMENTS

D579,408 S 10/2008 Benyameen
D597,940 S * 8/2009 Navid D13/108
D598,920 S * 8/2009 Fujino D14/447
D634,271 S 3/2011 Kessler
D642,521 S 8/2011 Markowitz
D646,267 S * 10/2011 Salzedo D14/253
D676,377 S * 2/2013 Nokuo D13/108
D680,066 S * 4/2013 Kinoshita D13/107
D704,971 S * 5/2014 Eckert D6/706
D705,722 S * 5/2014 Gengler D13/107
D706,556 S 6/2014 Buller
D706,561 S 6/2014 Buller
D712,828 S 9/2014 Delrue
D722,649 S * 2/2015 Sumii D14/434
D762,171 S * 7/2016 Jung D13/108
D781,784 S 3/2017 Dingle
9,895,606 B1 * 2/2018 Kamata A63F 13/245
D813,806 S * 3/2018 Ito D13/108
2009/0072784 A1 * 3/2009 Erickson H02J 7/0027
320/108
2016/0141901 A1 5/2016 Navid

OTHER PUBLICATIONS

Nyko Charge Base dated Jun. 12, 2013, <http://me.ign.com/en/xbox-one-gaming-hardware-xbox-one/68637/news/nyko-debuts-accessories-for-xbox-one-and-ps4>, 4 pp.

Sunsky Charging Dock Station, <https://www.sunsky-online.com/product/defaultview.do?subject.id-353418>, Jun. 30, 2014, 6 pp.

* cited by examiner

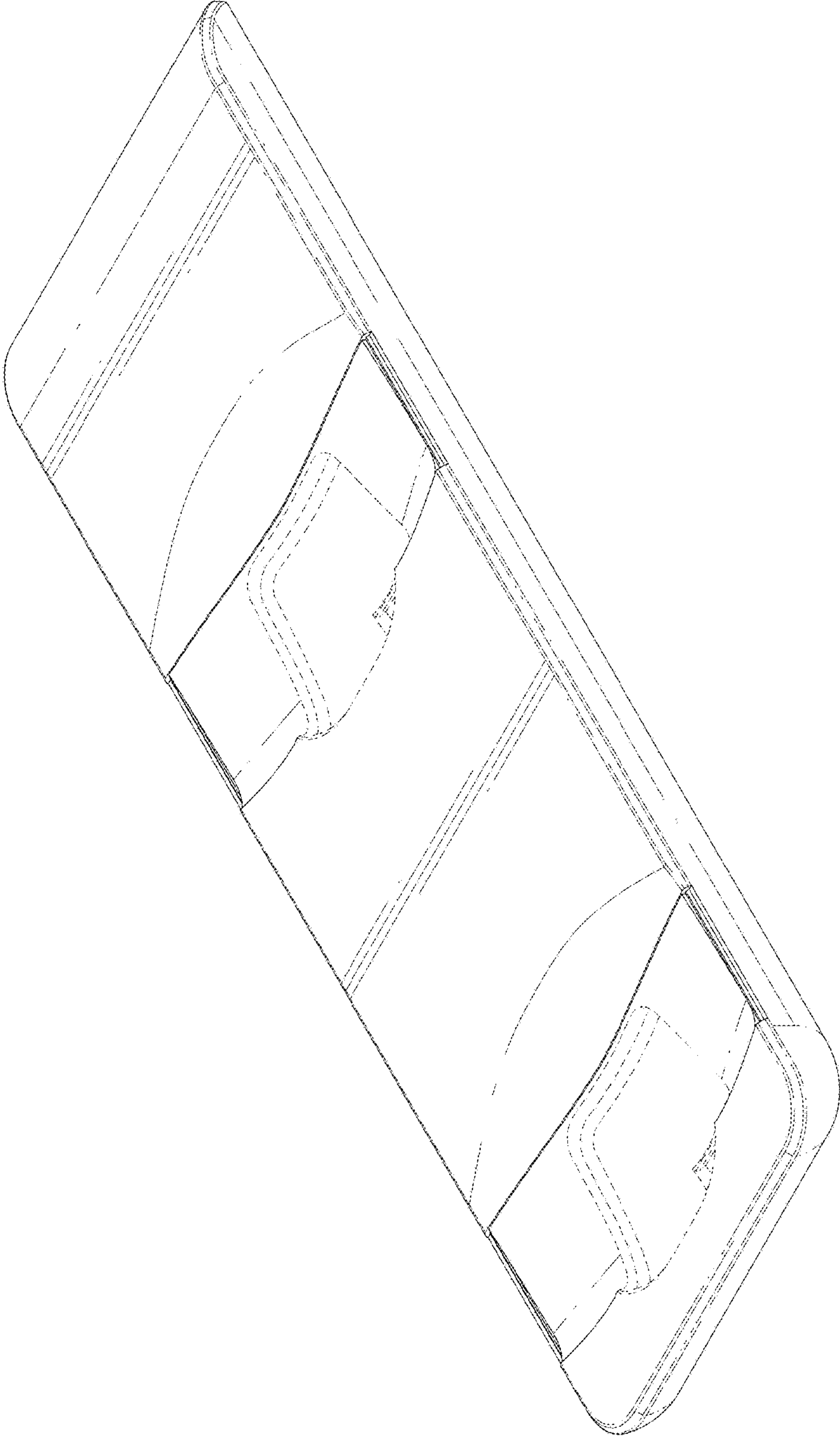


FIG. 1

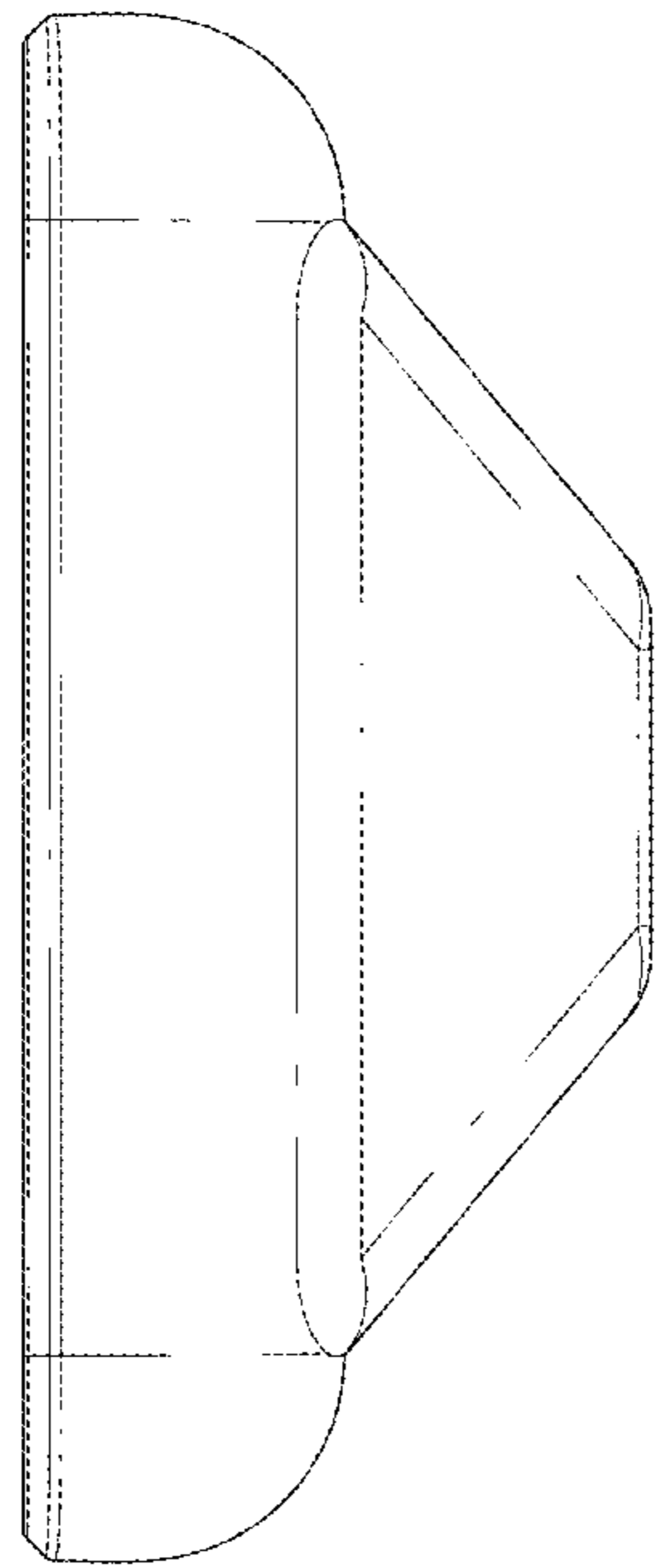


FIG. 2

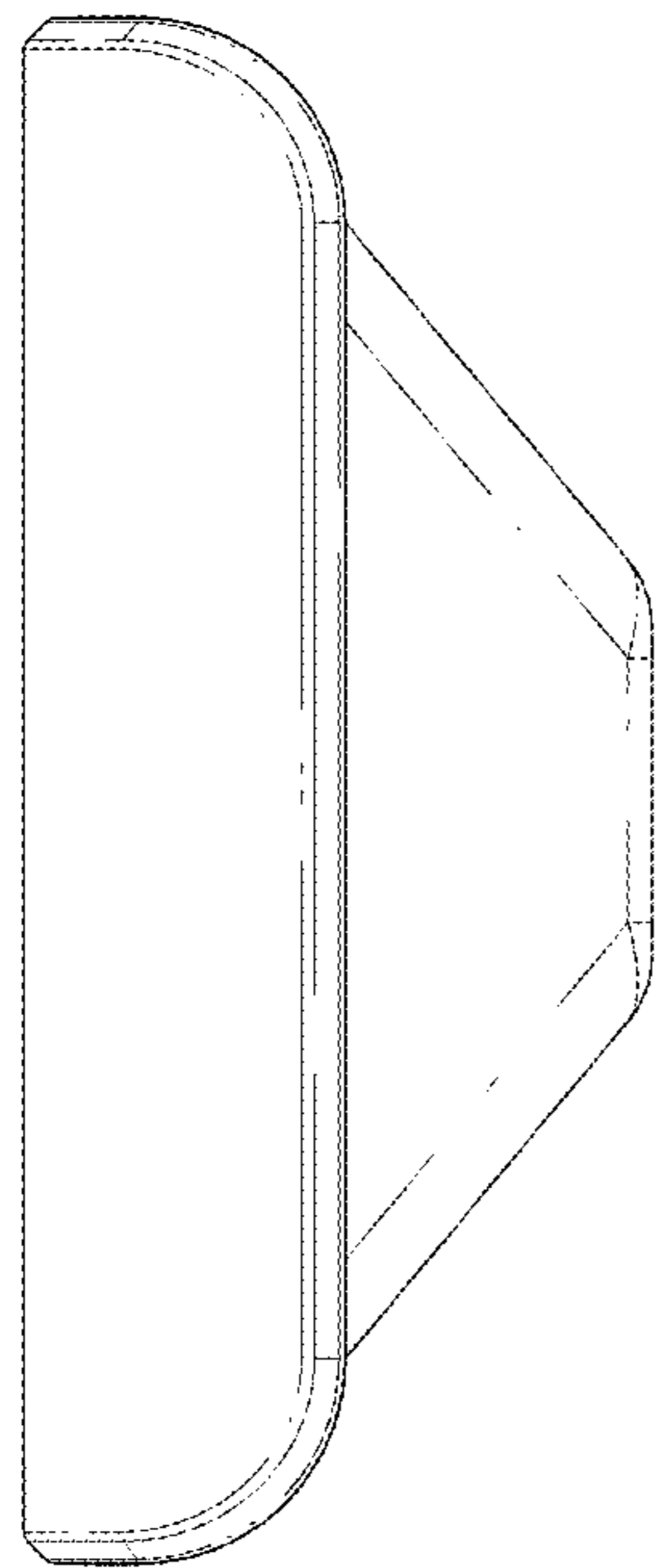


FIG. 3

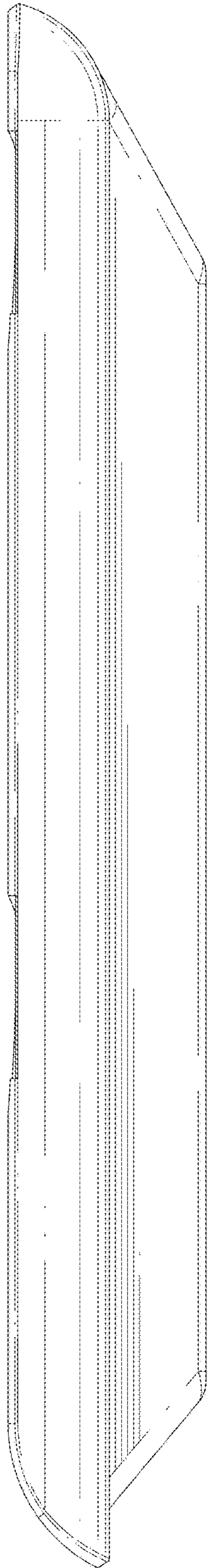


FIG. 4

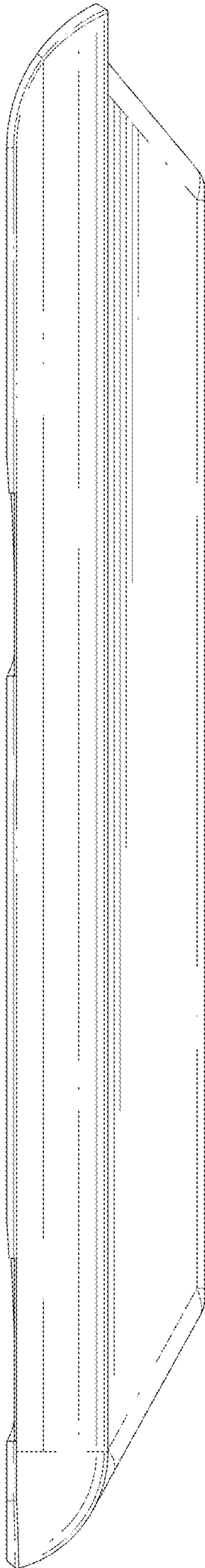


FIG. 5

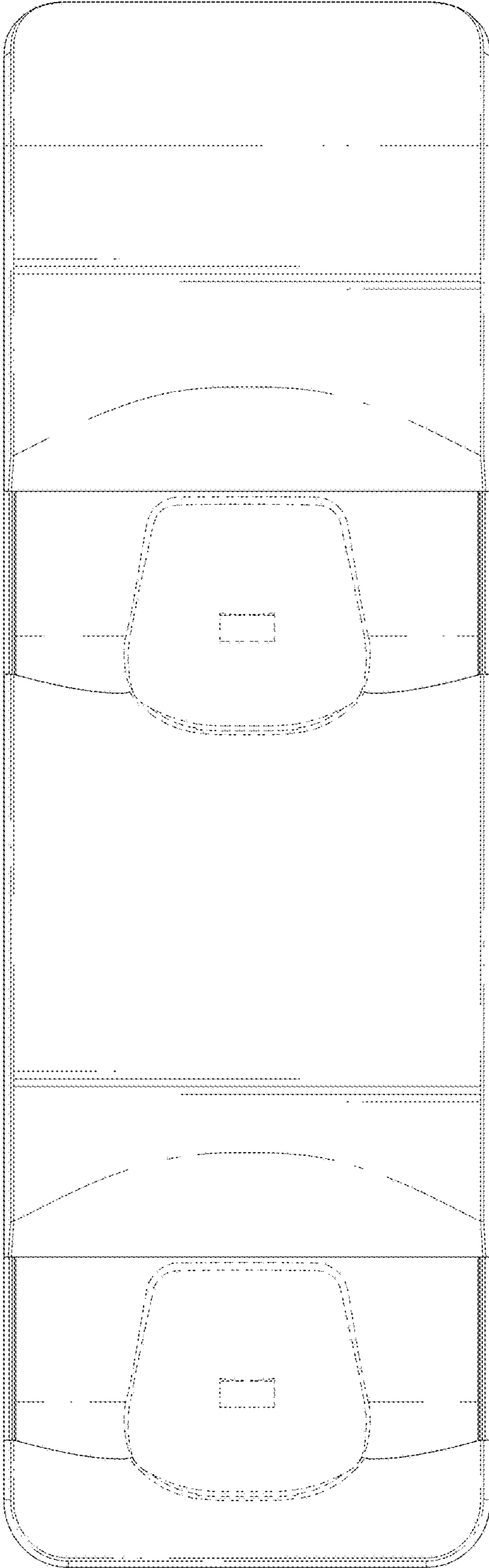


FIG. 6

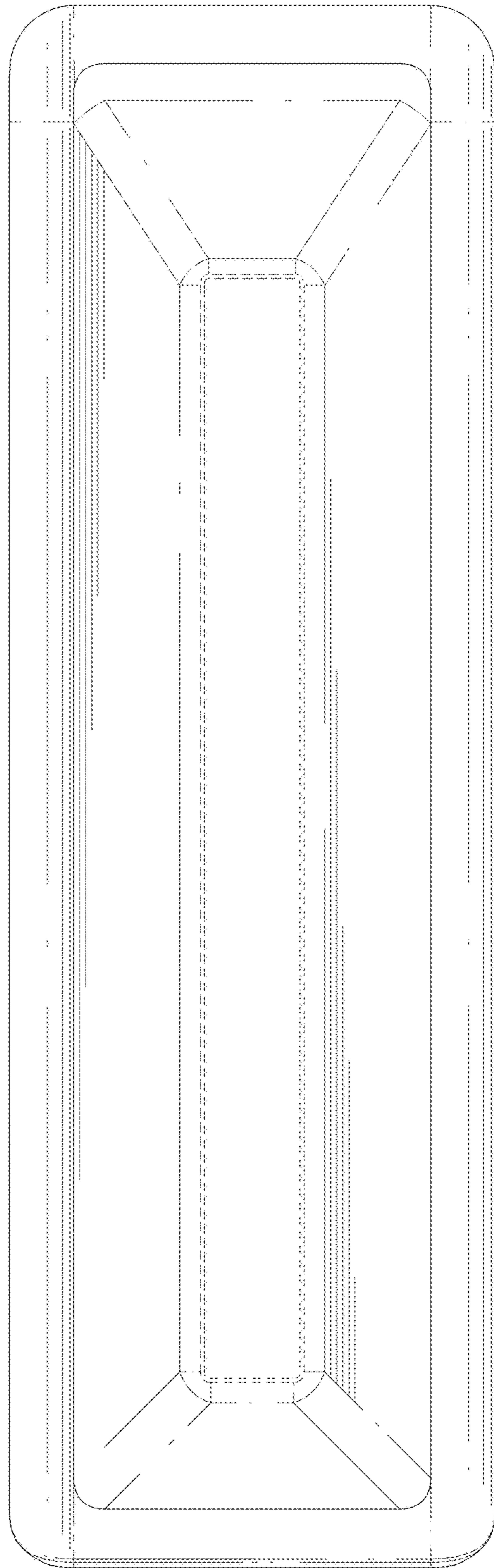


FIG. 7