



US00D835035S

(12) **United States Design Patent**
Nauroy

(10) **Patent No.:** **US D835,035 S**
(45) **Date of Patent:** **** Dec. 4, 2018**

(54) **CHARGING HUB BRIDGE**

(71) Applicant: **DESIGN POOL LIMITED**, Wan Chai,
Hong Kong (CN)

(72) Inventor: **Fabien Malcolm Nauroy**, Hong Kong
(CN)

(**) Term: **15 Years**

(21) Appl. No.: **29/607,687**

(22) Filed: **Jun. 15, 2017**

(51) **LOC (11) Cl.** **13-02**

(52) **U.S. Cl.**
USPC **D13/108; D14/356**

(58) **Field of Classification Search**
USPC D13/108, 110, 123, 133, 137.1–137.4,
D13/138.1–138.2, 139.1–139.8, 152–154,
D13/146, 147, 156, 158; D14/433;
D8/350–353
CPC H01R 11/00; H01R 9/00; H01R 25/00;
H01R 25/006; H01R 13/11; H01R 24/76
See application file for complete search history.

(56) **References Cited**

U.S. PATENT DOCUMENTS

D371,341 S	*	7/1996	Hung	D13/137.2
D657,310 S	*	4/2012	Fahrendorff	D13/110
D660,229 S	*	5/2012	Tseng	D13/110
D678,187 S	*	3/2013	Huang	D13/103
D698,723 S	*	2/2014	Zaslavsky	D13/110
D699,183 S	*	2/2014	Zaslavsky	D13/110
D700,579 S	*	3/2014	Mobbs	D13/137.1
D734,253 S	*	7/2015	Tinaphong	H02J 7/0004 D13/108
D740,749 S	*	10/2015	Stewart	D13/108

D743,333 S	*	11/2015	Nomi	D13/108
D761,732 S	*	7/2016	Byrne	D13/137.2
D799,423 S	*	10/2017	Eliyahu	D13/108
D804,419 S	*	12/2017	Hayes	D13/139.4

OTHER PUBLICATIONS

Amazon.com: Native Union Smart Hub Bridge—8ft Power Extension with 4 × USB Ports. Published Feb. 1, 2018. Retrieved from the internet at <<https://www.amazon.com/Native-Union-SMART-HUB-BRIDGE/dp/B075LLCJQ3/>>, Mar. 9, 2018. 1 page. (Year: 2018).*

* cited by examiner

Primary Examiner — Rosemary K Tarcza
Assistant Examiner — Christy M Nemeth
(74) *Attorney, Agent, or Firm* — James M. Smedley LLC;
James Michael Smedley, Esq.

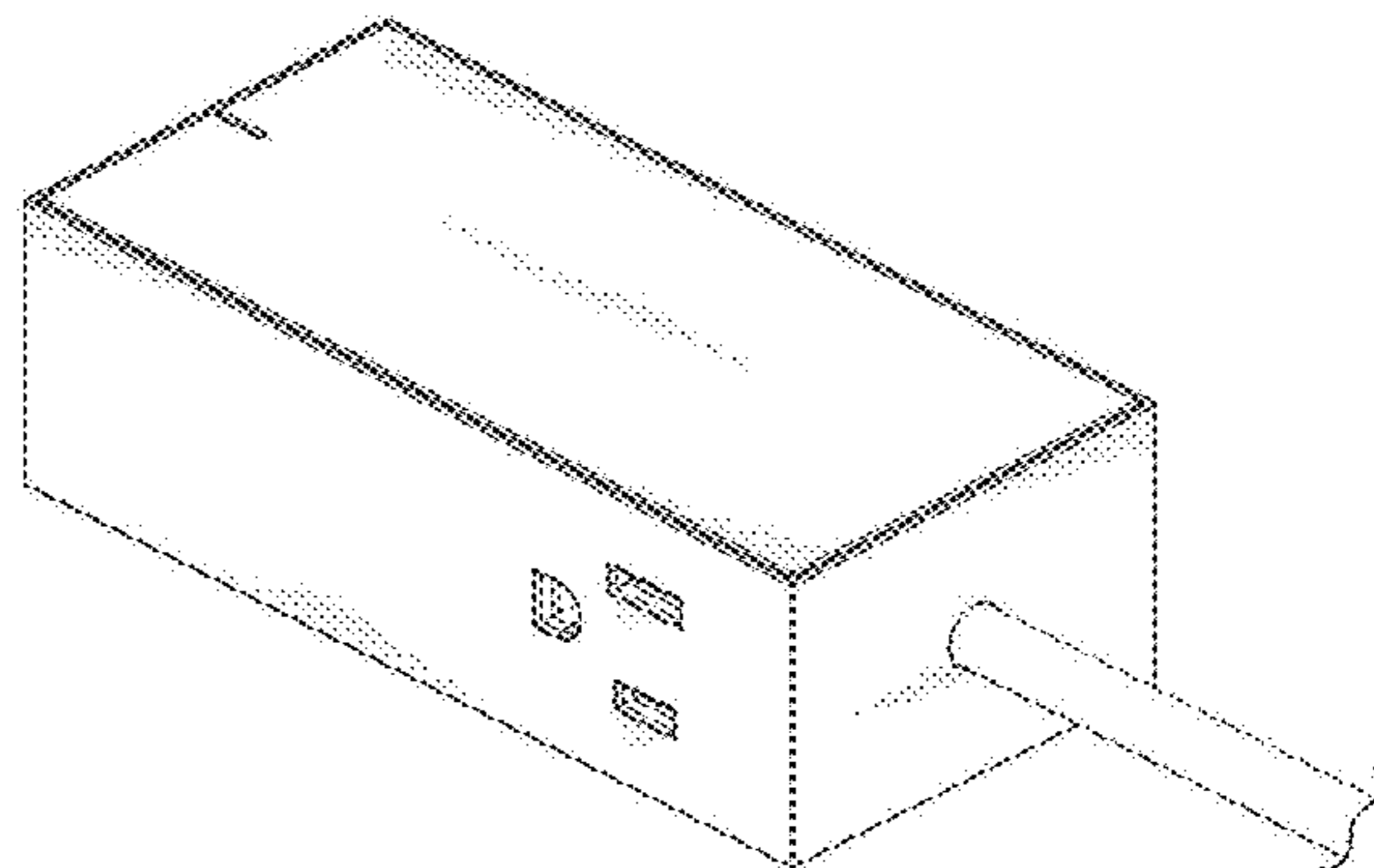
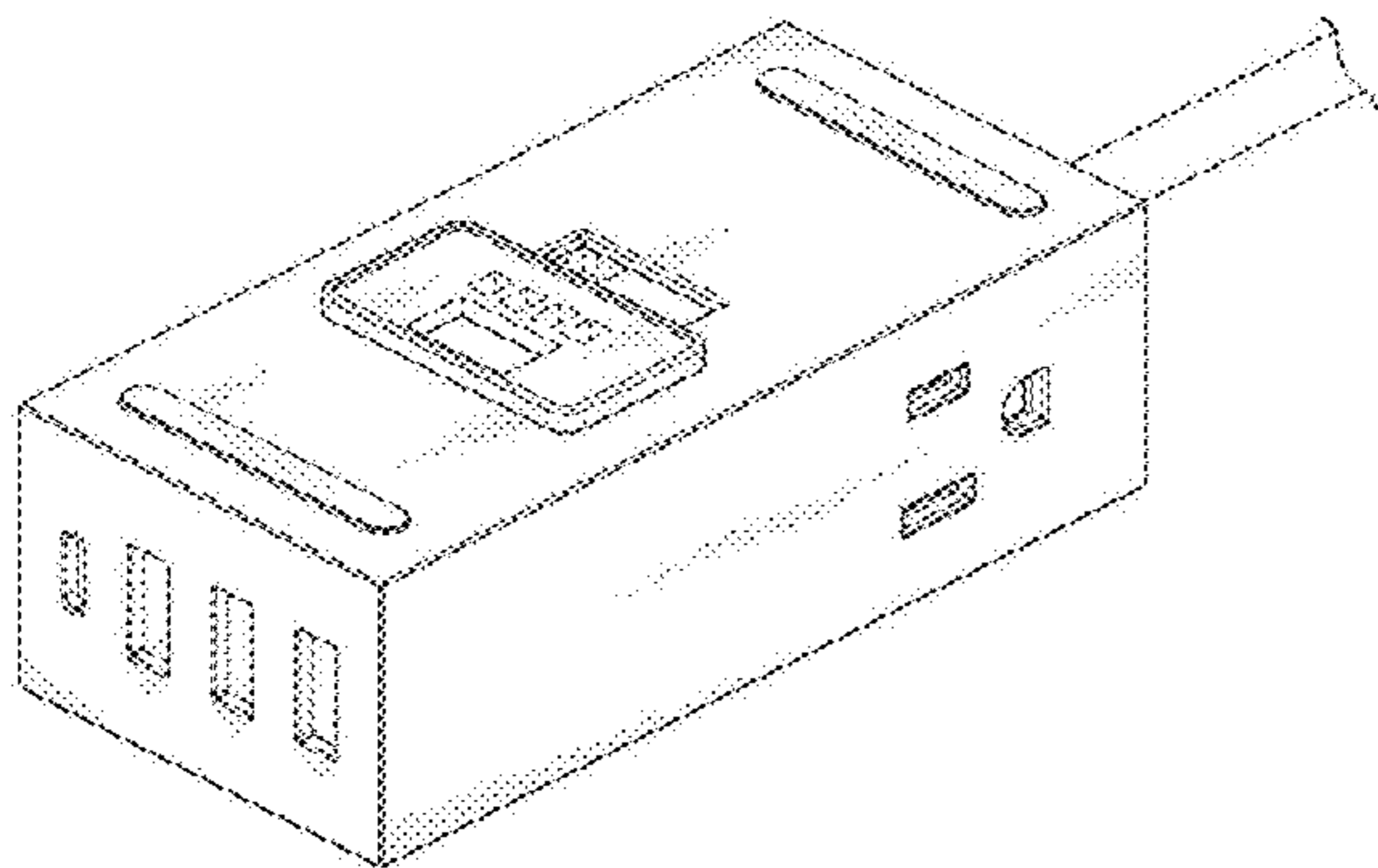
(57) **CLAIM**

I claim the ornamental design for a charging hub bridge, as shown and described.

DESCRIPTION

FIG. 1 is a front-bottom-left side perspective view of a charging hub bridge of my new design; FIG. 2 is a back-top-right side perspective view thereof; FIG. 3 is a front elevation view thereof; FIG. 4 is a back elevation view thereof; FIG. 5 is a bottom plan view thereof; FIG. 6 is a top plan view thereof; and, FIG. 7 is a right-side elevation view thereof. The broken lines shown in the drawings are for the purpose of illustrating elements of the charging hub bridge that form no part of the claimed design.

1 Claim, 3 Drawing Sheets



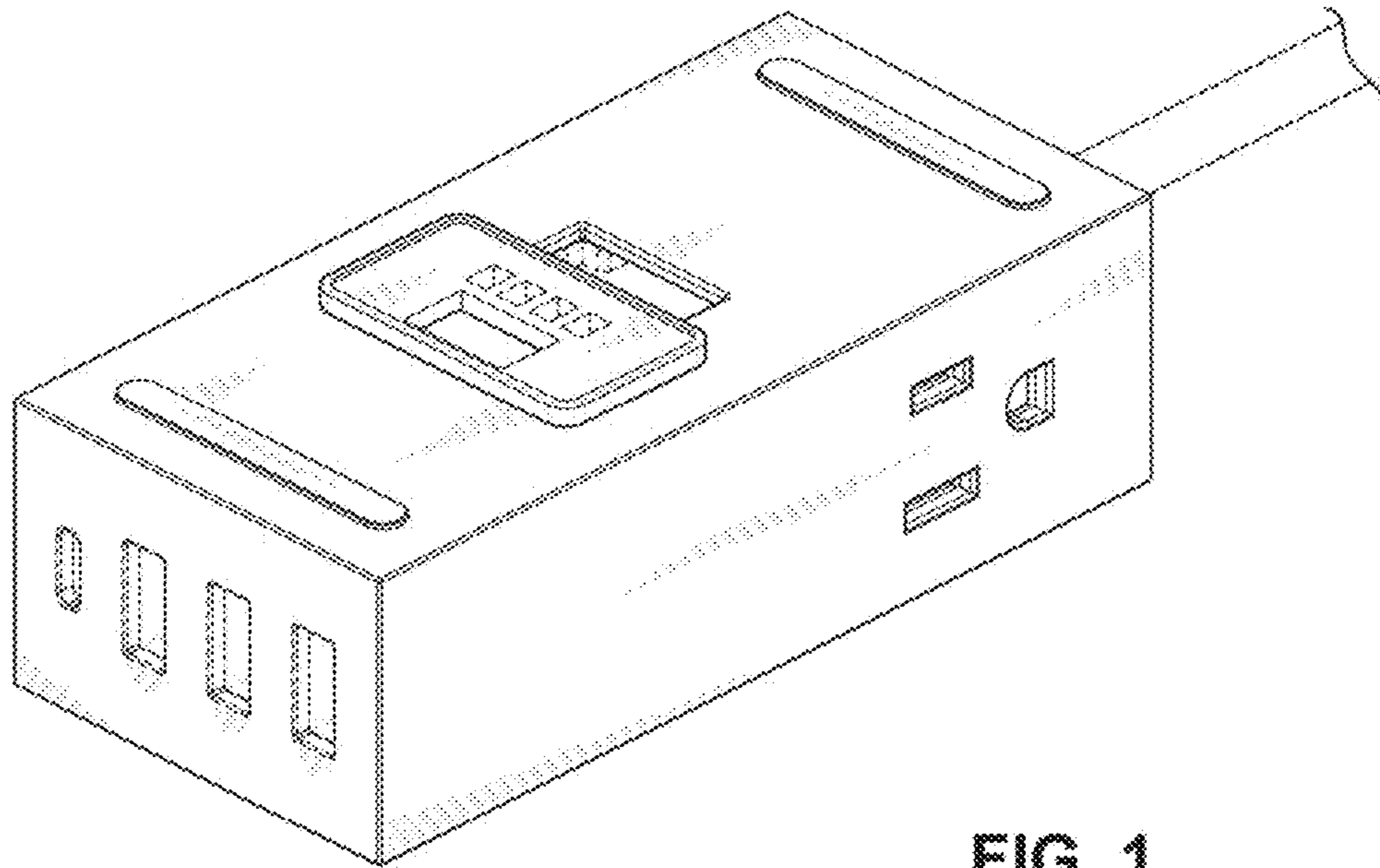


FIG. 1

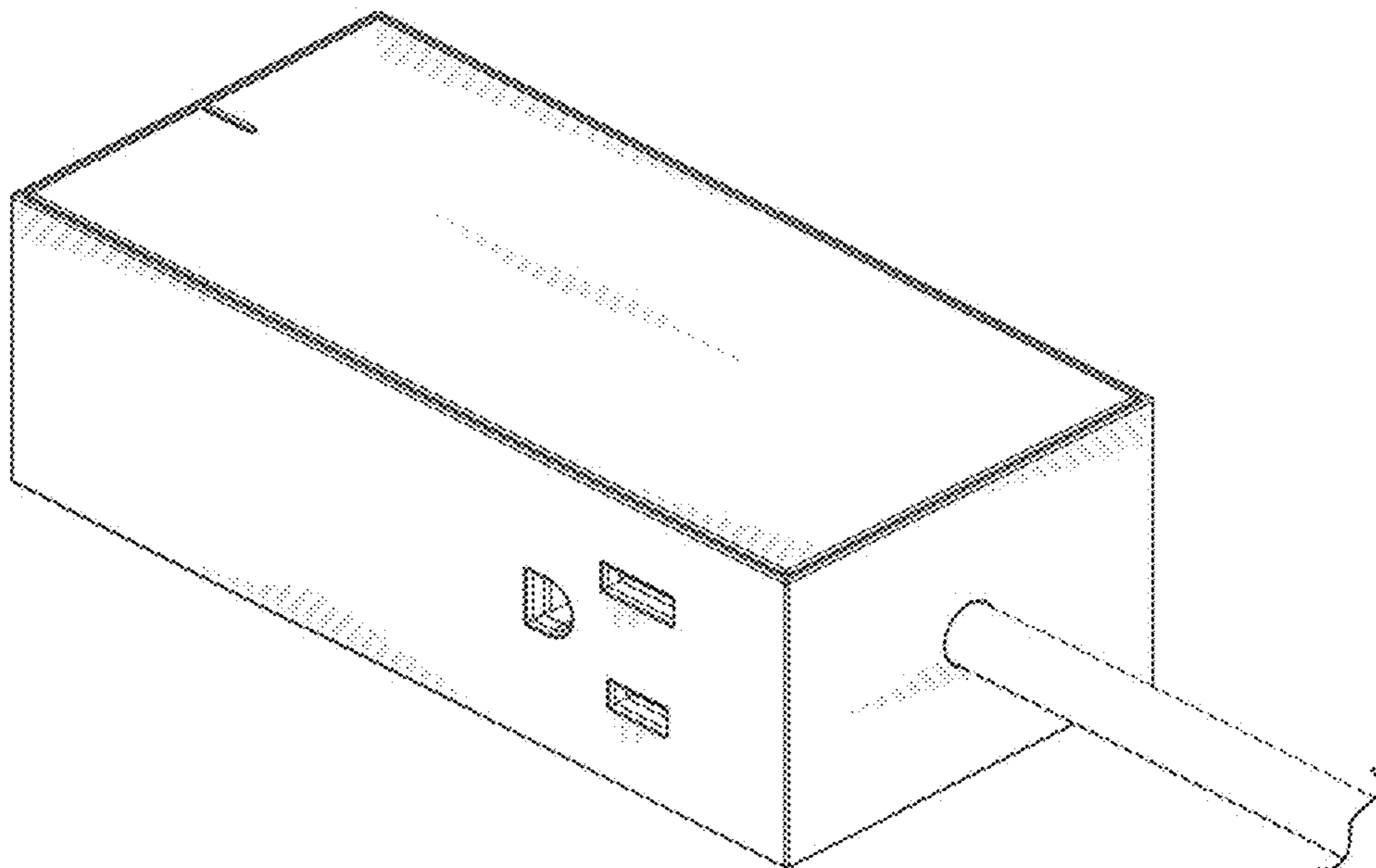


FIG. 2

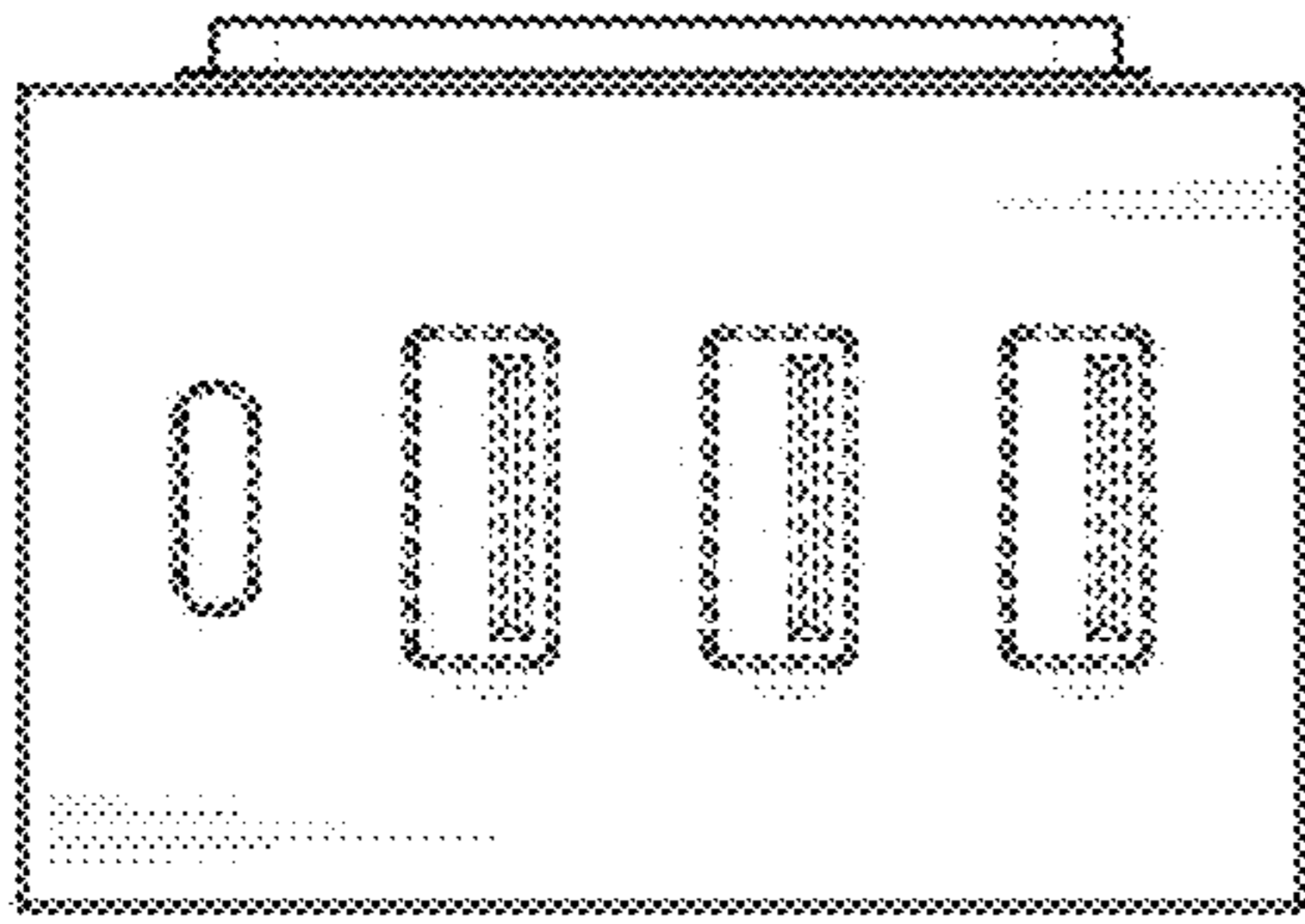


FIG. 3

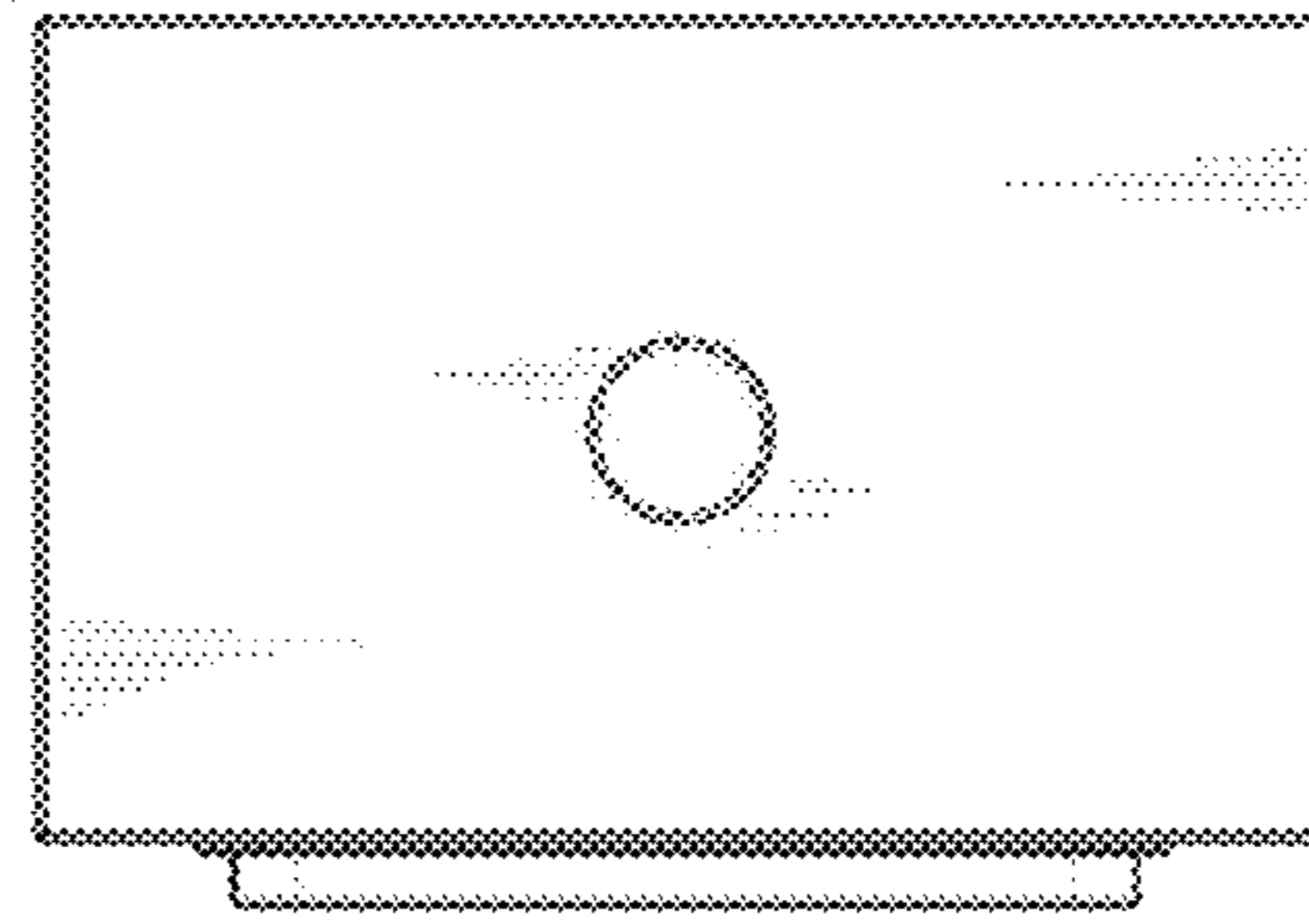


FIG. 4

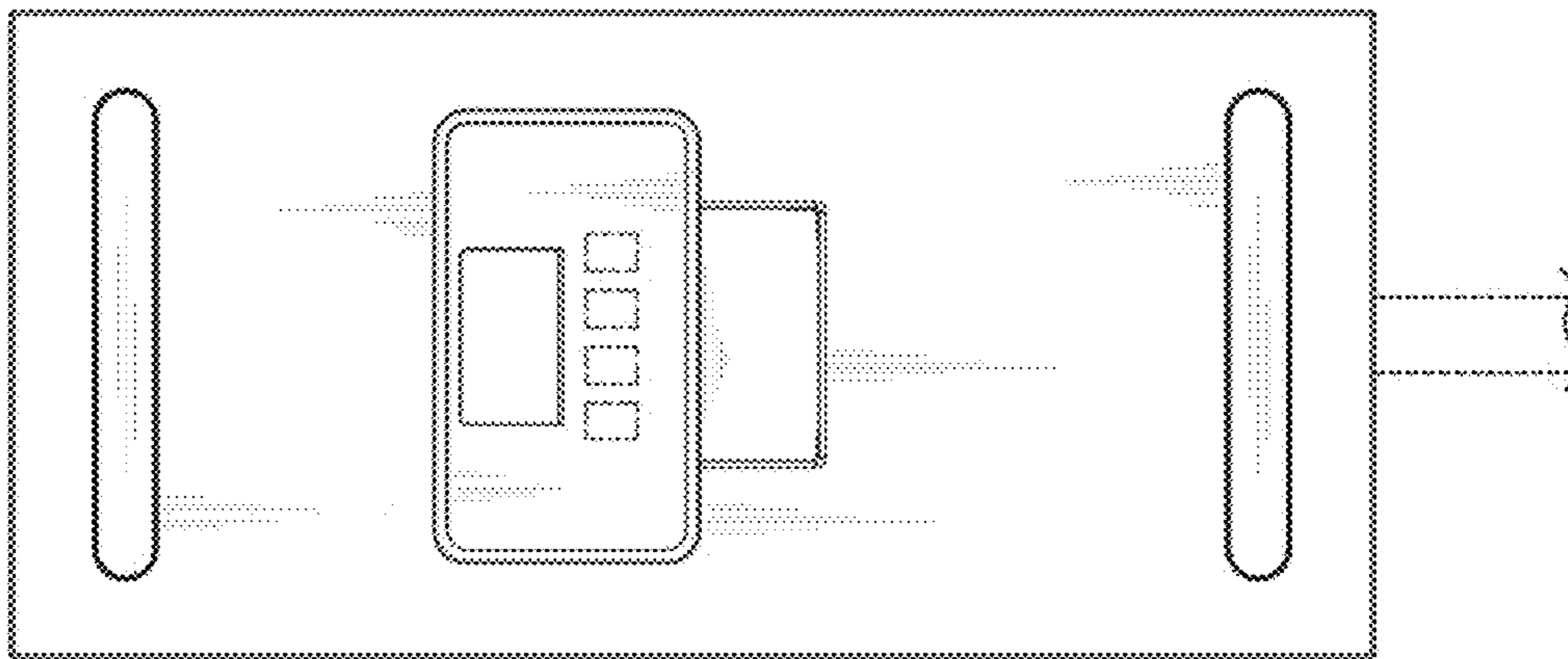


FIG. 5



FIG. 6

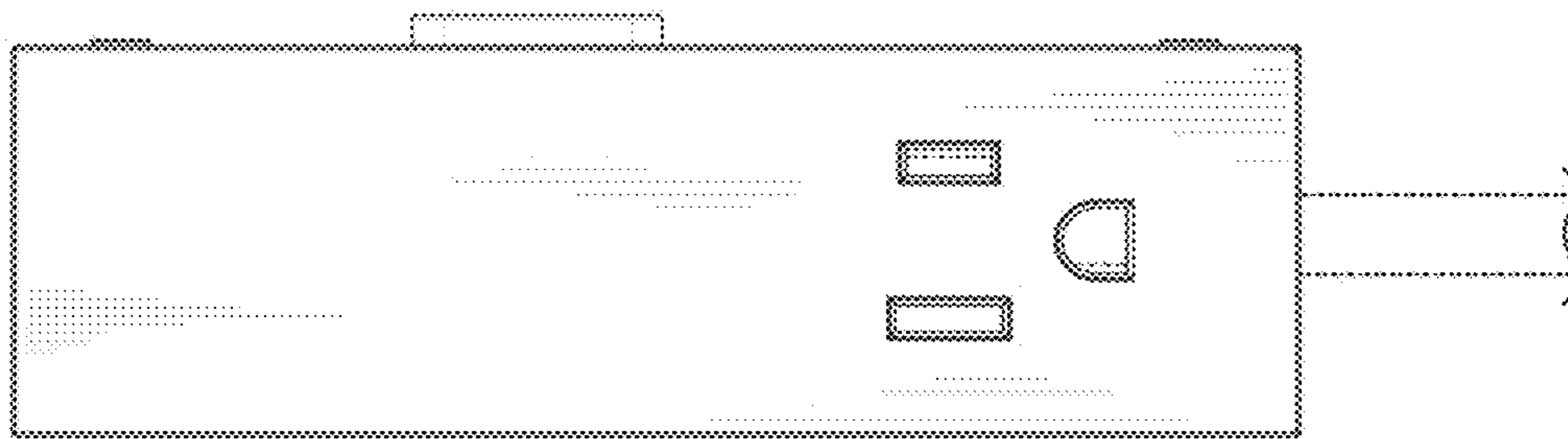


FIG. 7