



US00D835034S

(12) **United States Design Patent**
Tuffy et al.

(10) **Patent No.:** **US D835,034 S**
(45) **Date of Patent:** **** Dec. 4, 2018**

(54) **COMBINATION ACCESSORY HOOK AND CHARGING STATION**

(71) Applicant: **HCL Designs, LLC**, Naples, FL (US)

(72) Inventors: **Robert E. Tuffy**, Hanover, MA (US);
Brian P. Antonetti, Hanover, MA (US);
Michael Bergman, Somerville, MA (US);
Justin Aiello, Kennebunk, ME (US)

(73) Assignee: **HCL DESIGNS, LLC**, Naples, FL (US)

(**) Term: **15 Years**

(21) Appl. No.: **29/603,444**

(22) Filed: **May 9, 2017**

(51) **LOC (11) Cl.** **13-02**

(52) **U.S. Cl.**
USPC **D13/108**

(58) **Field of Classification Search**
USPC D13/107–110, 118–119, 184; D14/251,
D14/253, 432, 434; D8/367, 371
CPC Y02E 60/12; Y02T 90/14; Y02T 90/122;
Y02T 90/128; Y02T 90/163; H02J 7/025;
H02J 7/0042; H02J 7/0044; H02J 7/0045;
H02J 7/0003; H01F 38/14; H01R
13/6675; H01M 2/1022; H01M 2/1055;
H01M 10/44; H01M 10/46; H01M
10/425; B60L 11/182
See application file for complete search history.

(56) **References Cited**

U.S. PATENT DOCUMENTS

D201,776 S * 7/1965 Woodard D28/8.1
D506,437 S * 6/2005 Nishizawa D13/108
D544,339 S * 6/2007 Huang D8/367
D572,121 S * 7/2008 Shiftier D8/367

D596,930 S * 7/2009 Gaudron D8/367
D599,287 S * 9/2009 Kingston et al.
D609,995 S * 2/2010 Hager D8/367
D639,707 S * 6/2011 Caskey D11/201
D674,381 S * 1/2013 Ma D14/253
D682,663 S * 5/2013 Evon D8/367
D692,374 S * 10/2013 Choi D13/107
D694,228 S * 11/2013 Richter D14/253
D695,217 S * 12/2013 Dasbach
D697,388 S * 1/2014 Pan D8/367
D700,829 S * 3/2014 Nanbu D8/367
D708,573 S * 7/2014 Gieniec et al.
D716,220 S * 10/2014 Kirpalani D13/103
D733,648 S * 7/2015 Bianco et al.
D741,846 S * 10/2015 Jeon D14/253
D743,955 S * 11/2015 Wu D14/253
D744,418 S * 12/2015 Ogihara D13/108
D753,472 S * 4/2016 Pan D8/371

(Continued)

Primary Examiner — Rosemary K Tarcza

Assistant Examiner — Nathaniel D. Buckner

(74) *Attorney, Agent, or Firm* — Bergman & Song LLP;
Michael Bergman

(57) **CLAIM**

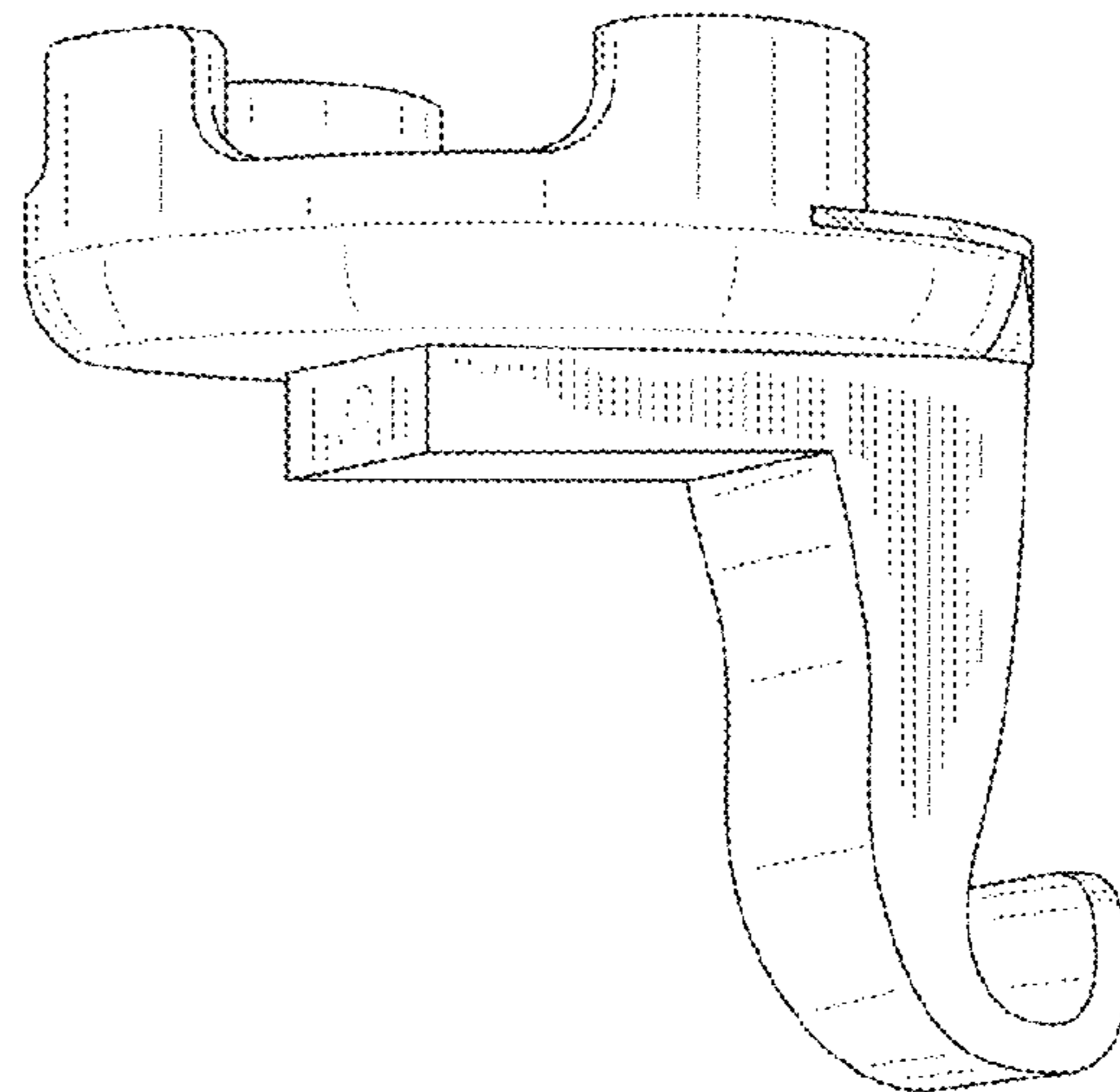
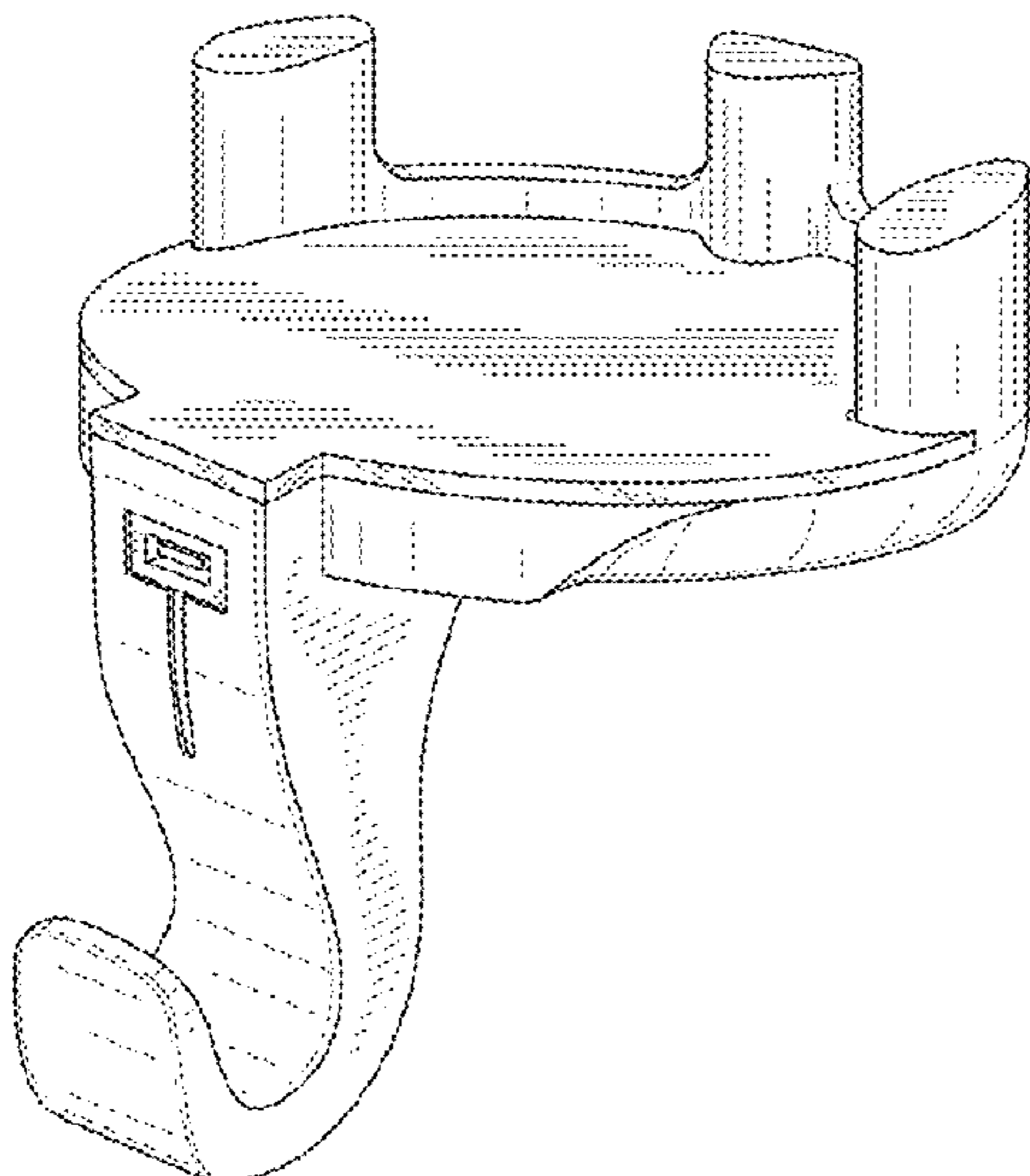
The ornamental design for a combination accessory hook and charging station, as shown and described.

DESCRIPTION

FIG. 1 is a front perspective view of a combination accessory hook and charging station, of our new design; FIG. 2 is a rear perspective thereof; FIG. 3 is a front view thereof; FIG. 4 is a rear view thereof; FIG. 5 is a right side view thereof; FIG. 6 is a left side view thereof; FIG. 7 is a top view thereof; and, FIG. 8 is a bottom view thereof.

The broken lines in the figures depict portions of the article which form no part of the claimed design.

1 Claim, 8 Drawing Sheets



(56)

References Cited

U.S. PATENT DOCUMENTS

D761,638 S *	7/2016	Johnson	D8/367
D772,043 S	11/2016	Forrest et al.	
D772,884 S *	11/2016	Oberpriller	G06K 7/1095 D14/253
D778,239 S *	2/2017	Ni	D13/108
D790,456 S *	6/2017	Aiello	D13/107
D801,923 S *	11/2017	Minamide	D13/108
D810,014 S *	2/2018	Haranaka	D13/108

* cited by examiner

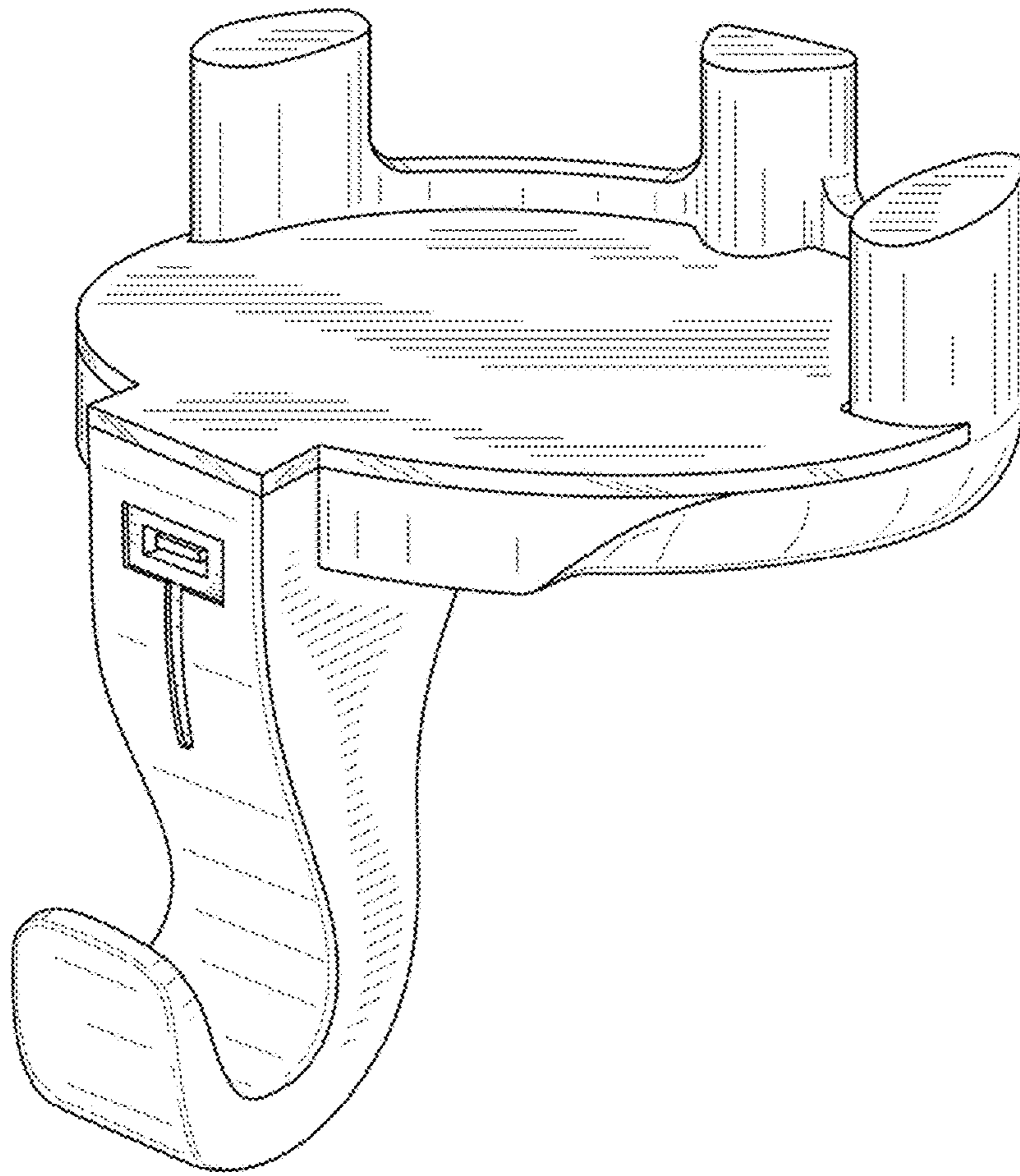


FIG. 1

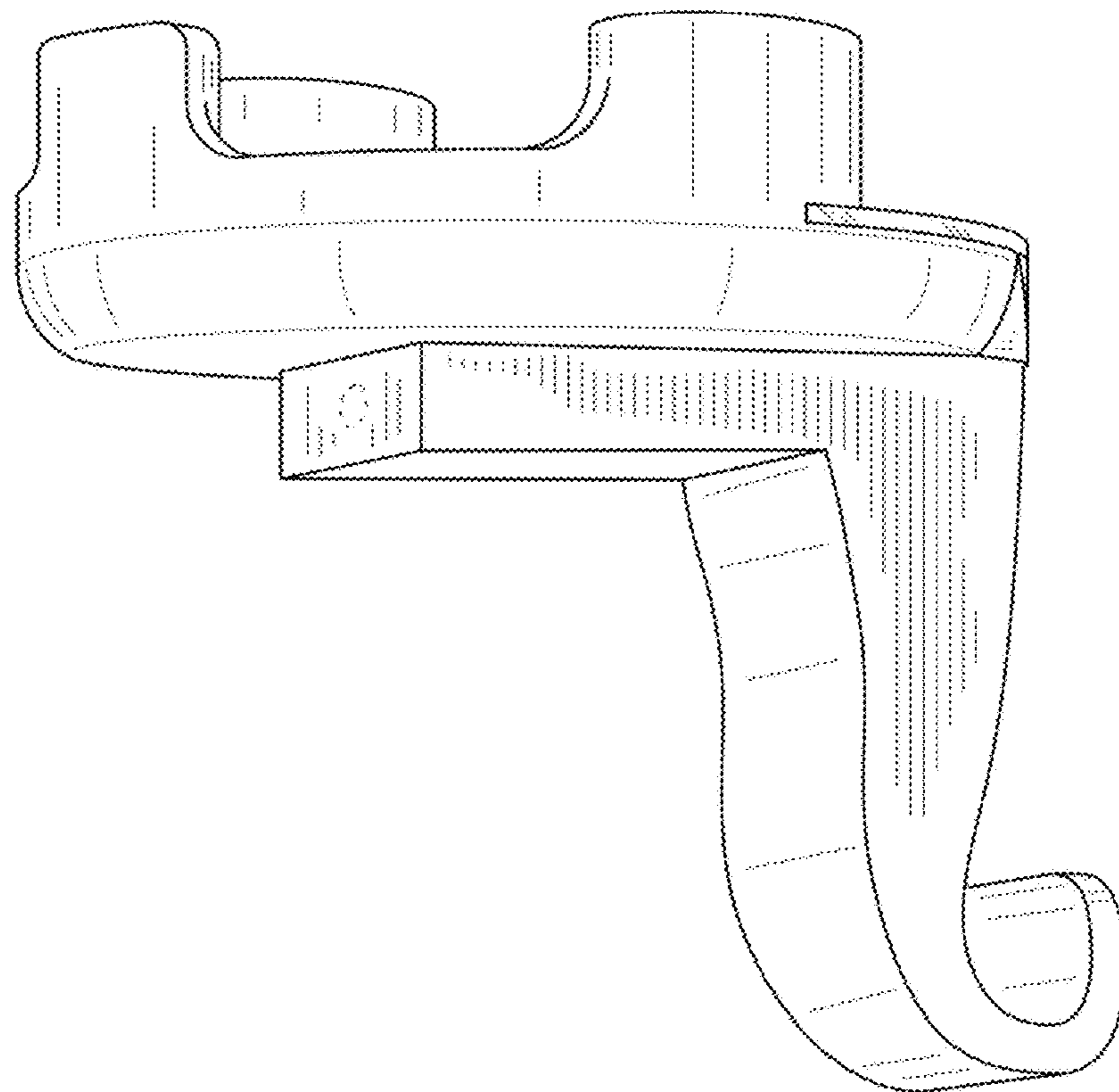


FIG. 2

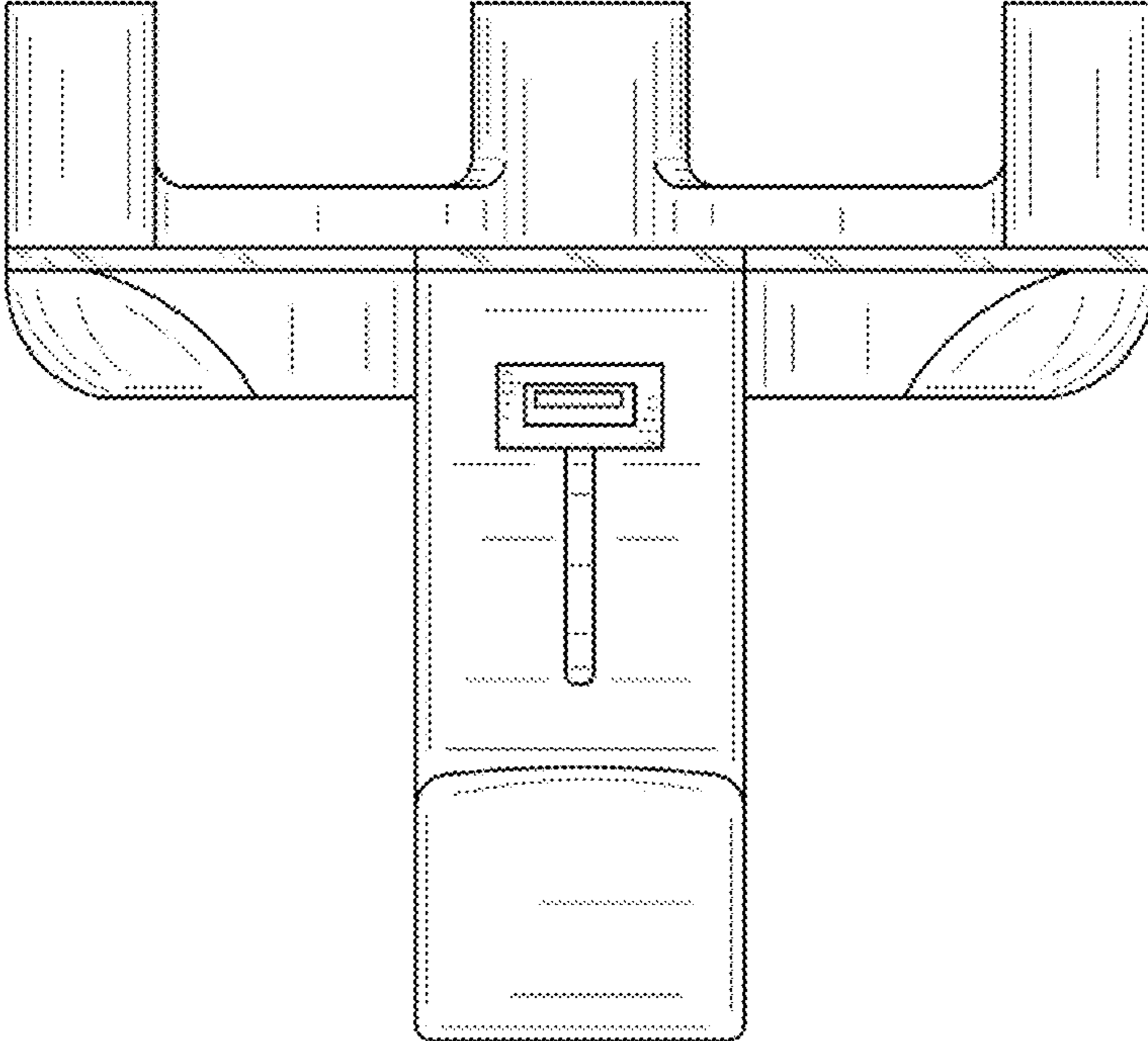


FIG. 3

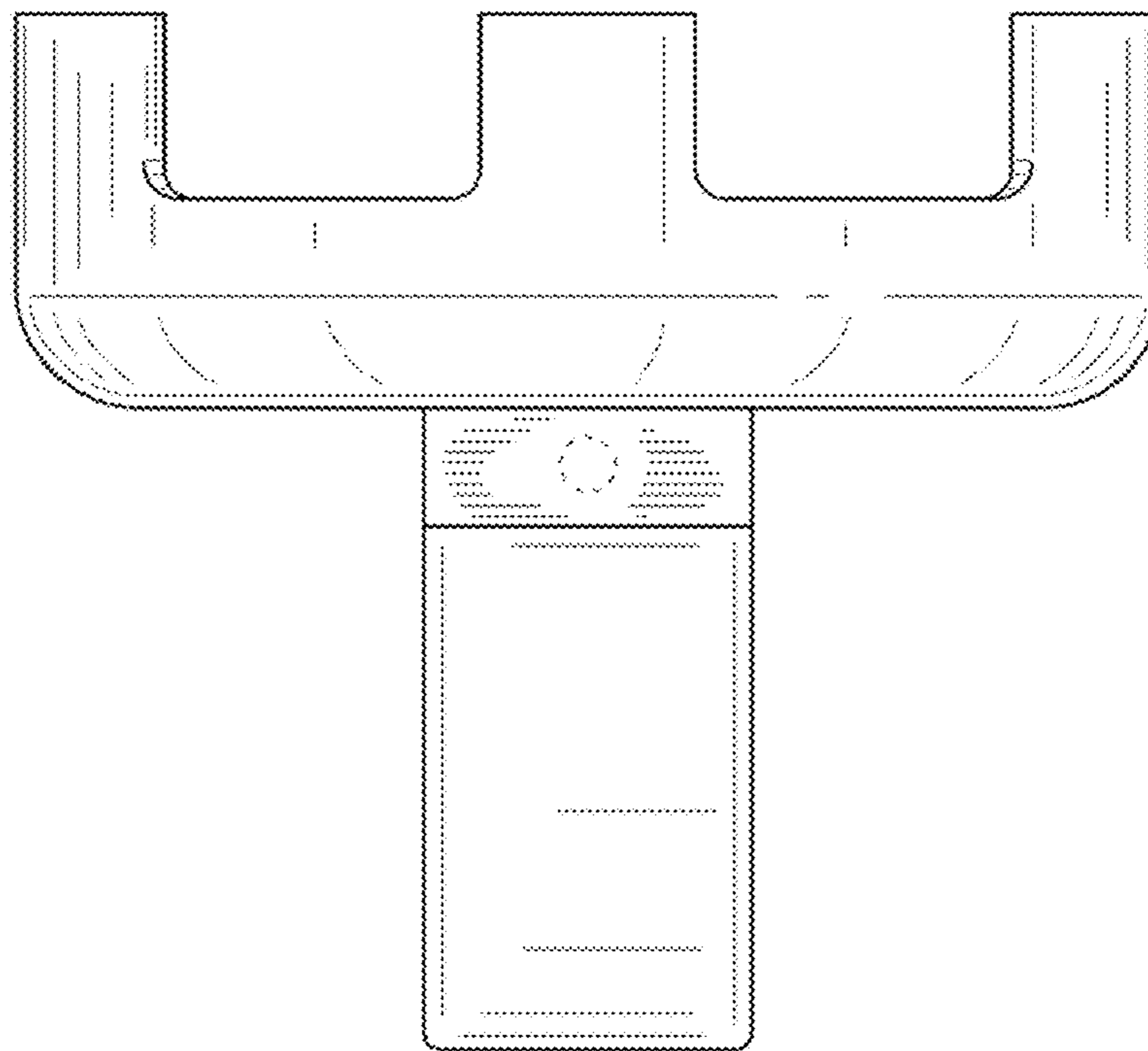


FIG. 4

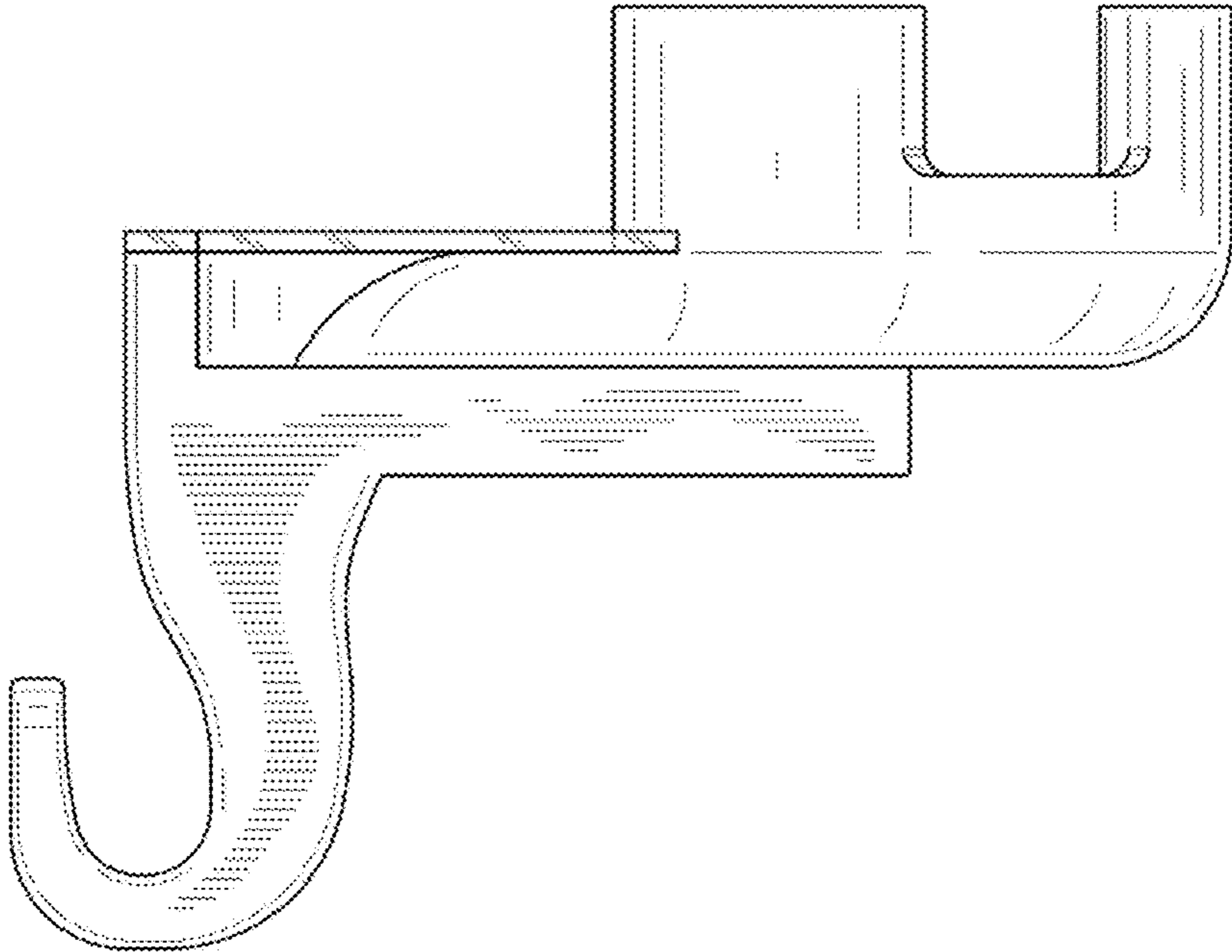


FIG. 5

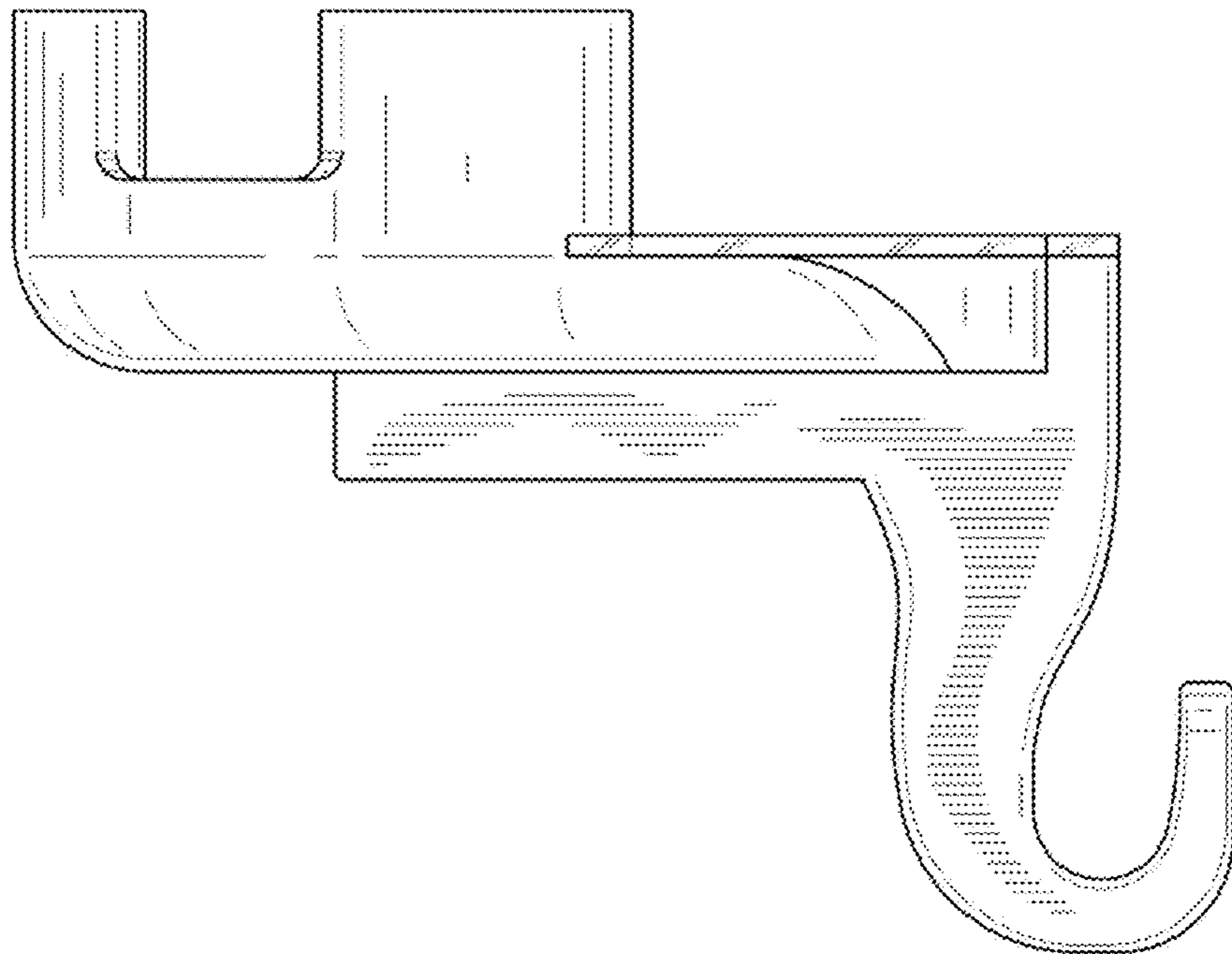


FIG. 6

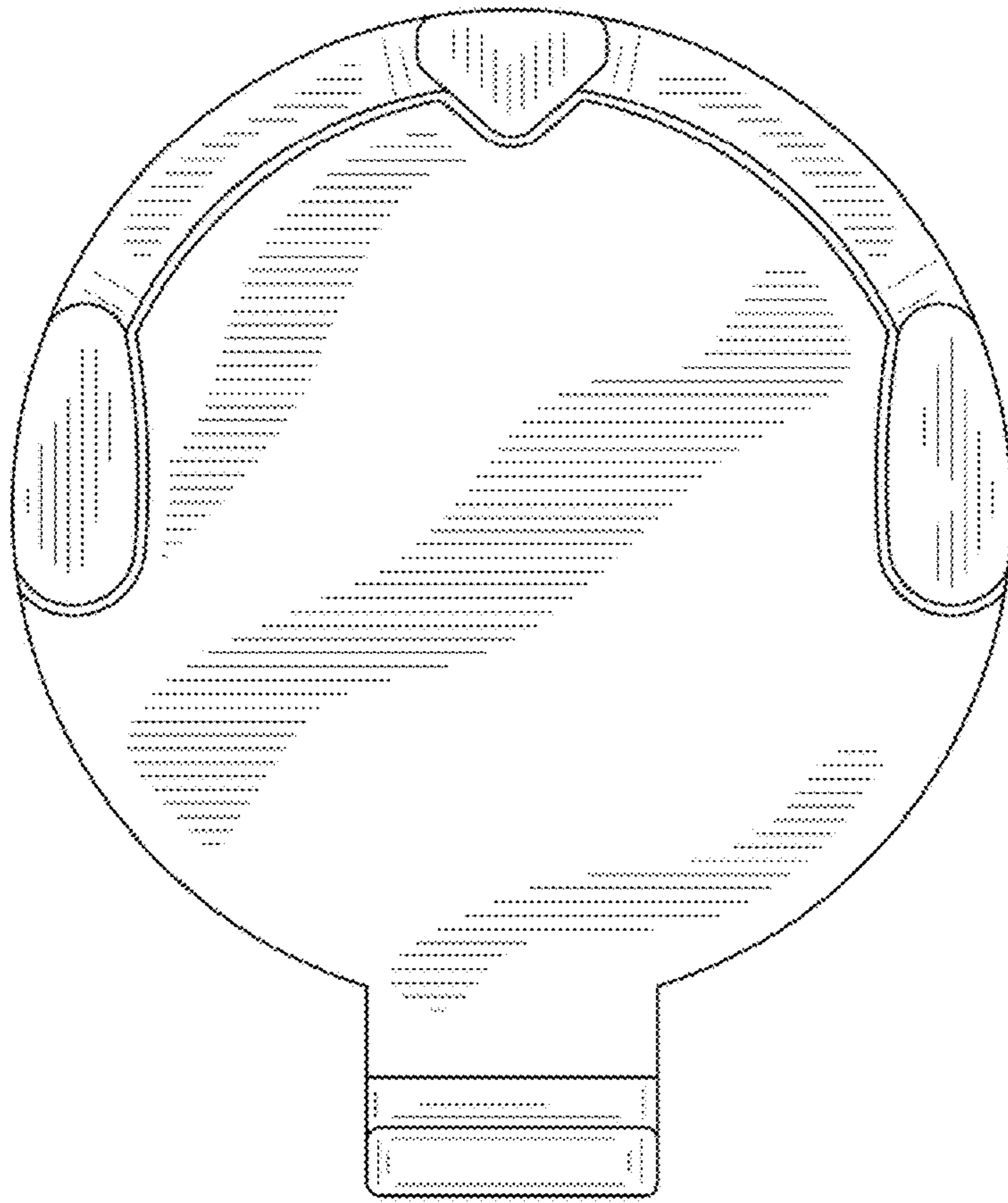


FIG. 7

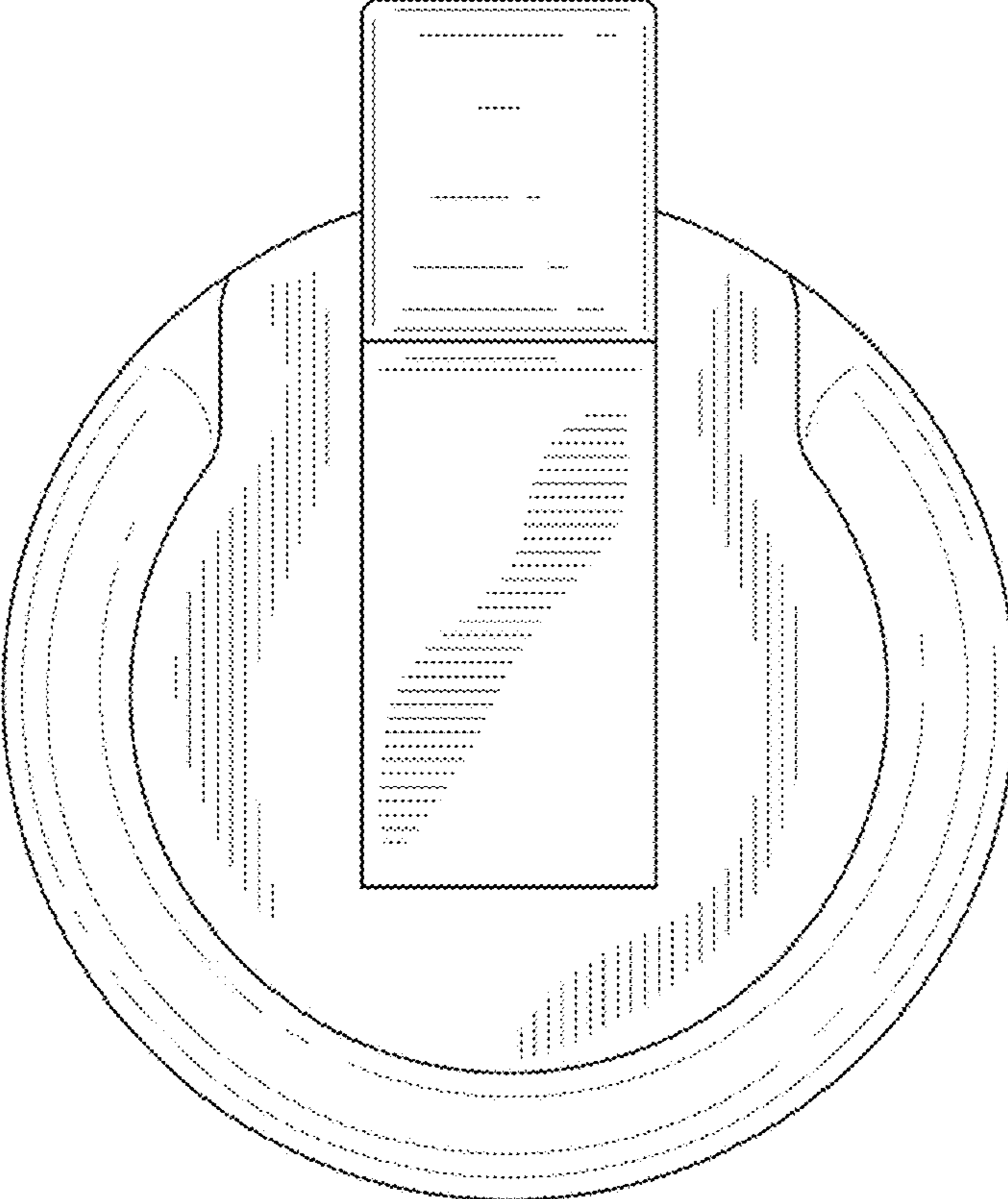


FIG. 8