



US00D835033S

(12) **United States Design Patent** (10) **Patent No.:** **US D835,033 S**  
**Sorias** (45) **Date of Patent:** **\*\* Dec. 4, 2018**

(54) **MAGNETIC CHARGER PLUG**  
 (71) Applicant: **Yeoshua Sorias**, Brooklyn, NY (US)  
 (72) Inventor: **Yeoshua Sorias**, Brooklyn, NY (US)  
 (\*\*) Term: **15 Years**  
 (21) Appl. No.: **29/536,591**  
 (22) Filed: **Aug. 18, 2015**  
 (51) **LOC (11) Cl.** ..... **13-02**  
 (52) **U.S. Cl.**  
 USPC ..... **D13/108**  
 (58) **Field of Classification Search**  
 USPC ..... D13/154, 147, 133, 153, 146; D3/208  
 CPC .... B65H 75/36; H01R 13/5845; H01R 13/72;  
 H01R 31/06; H04M 1/15  
 See application file for complete search history.

7,632,134 B2 \* 12/2009 Su ..... H01R 13/44  
 439/490  
 7,942,678 B2 \* 5/2011 Sanford ..... H01R 13/2428  
 439/692  
 9,083,112 B2 \* 7/2015 Asai ..... H01R 13/6205  
 D769,194 S \* 10/2016 Greig ..... D13/147  
 9,680,252 B2 \* 6/2017 Hashiguchi ..... H01R 13/6205  
 9,685,733 B2 \* 6/2017 Zhao ..... H01R 13/6205  
 9,703,271 B2 \* 7/2017 Kim ..... H01R 13/6205  
 2015/0111398 A1 \* 4/2015 Isenhour ..... H01R 13/6205  
 439/39

\* cited by examiner

*Primary Examiner* — Rosemary K Tarcza  
*Assistant Examiner* — Nathaniel D. Buckner  
 (74) *Attorney, Agent, or Firm* — Ostrolenk Faber LLP

(57) **CLAIM**

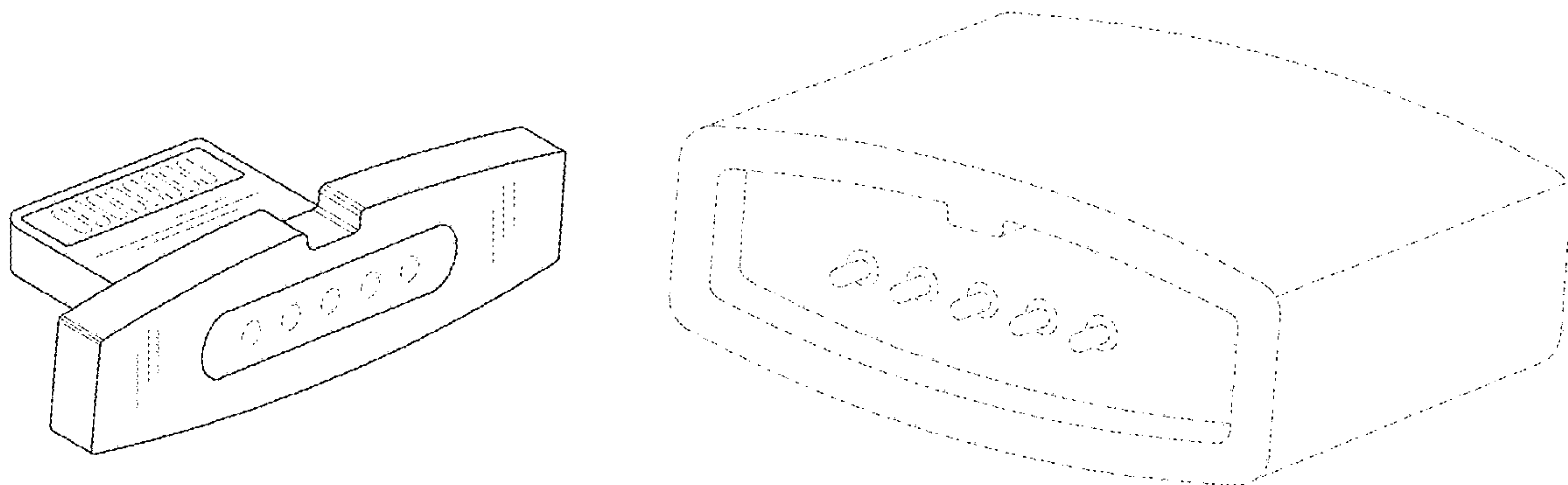
The ornamental design for a magnetic charger plug, as shown and described.

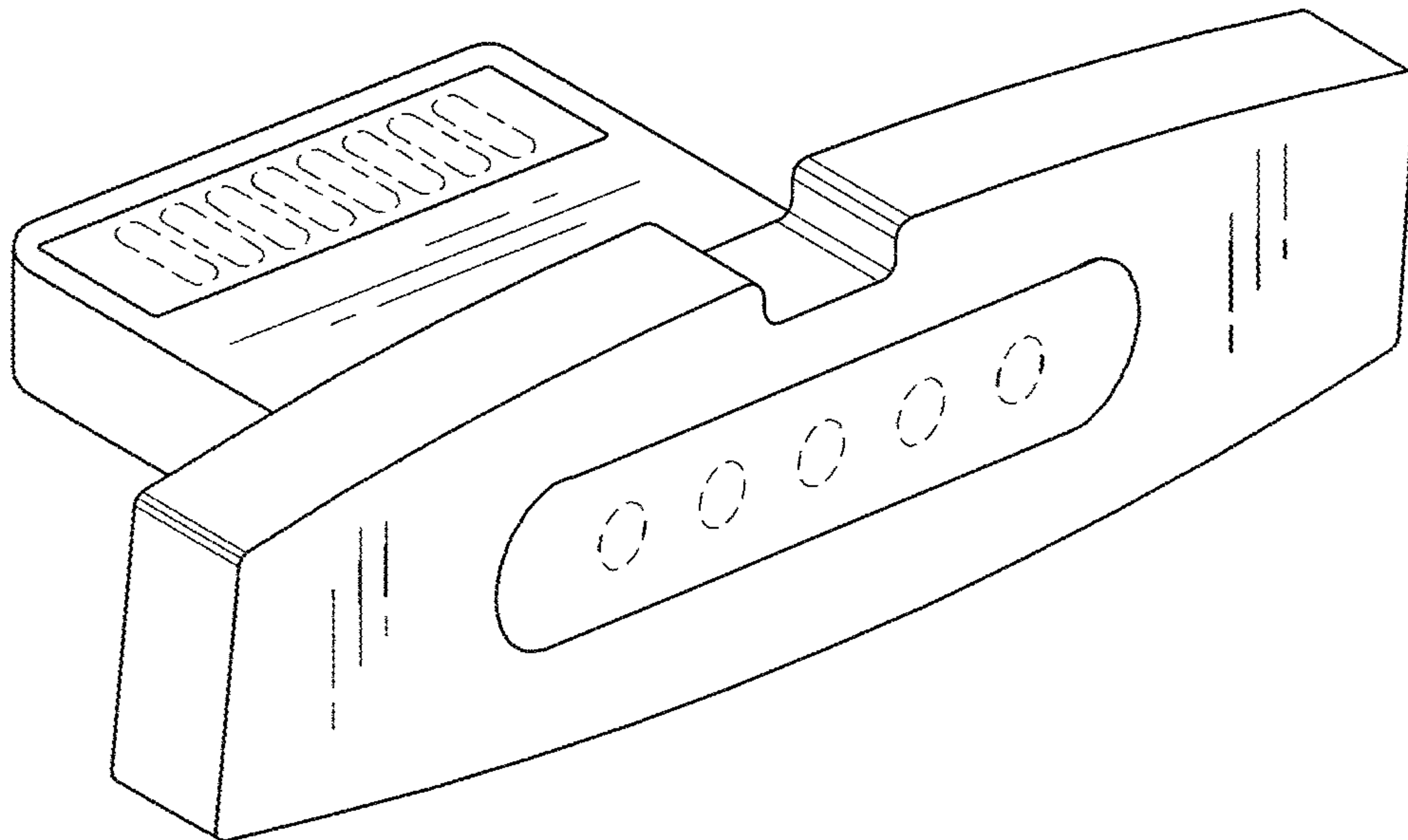
**DESCRIPTION**

FIG. 1 is a perspective view of a magnetic charger plug showing my new design;  
 FIG. 2 is a right side view of FIG. 1.  
 FIG. 3 is a left side view of FIG. 1.  
 FIG. 4 is a front view of FIG. 1.  
 FIG. 5 is a rear view of FIG. 1.  
 FIG. 6 is a top view of FIG. 1.  
 FIG. 7 is a bottom view of FIG. 1; and,  
 FIG. 8 is a perspective view of FIG. 1 shown in an environment of use.  
 The broken lines in the figures depict portions of the article which form no part of the claimed design.

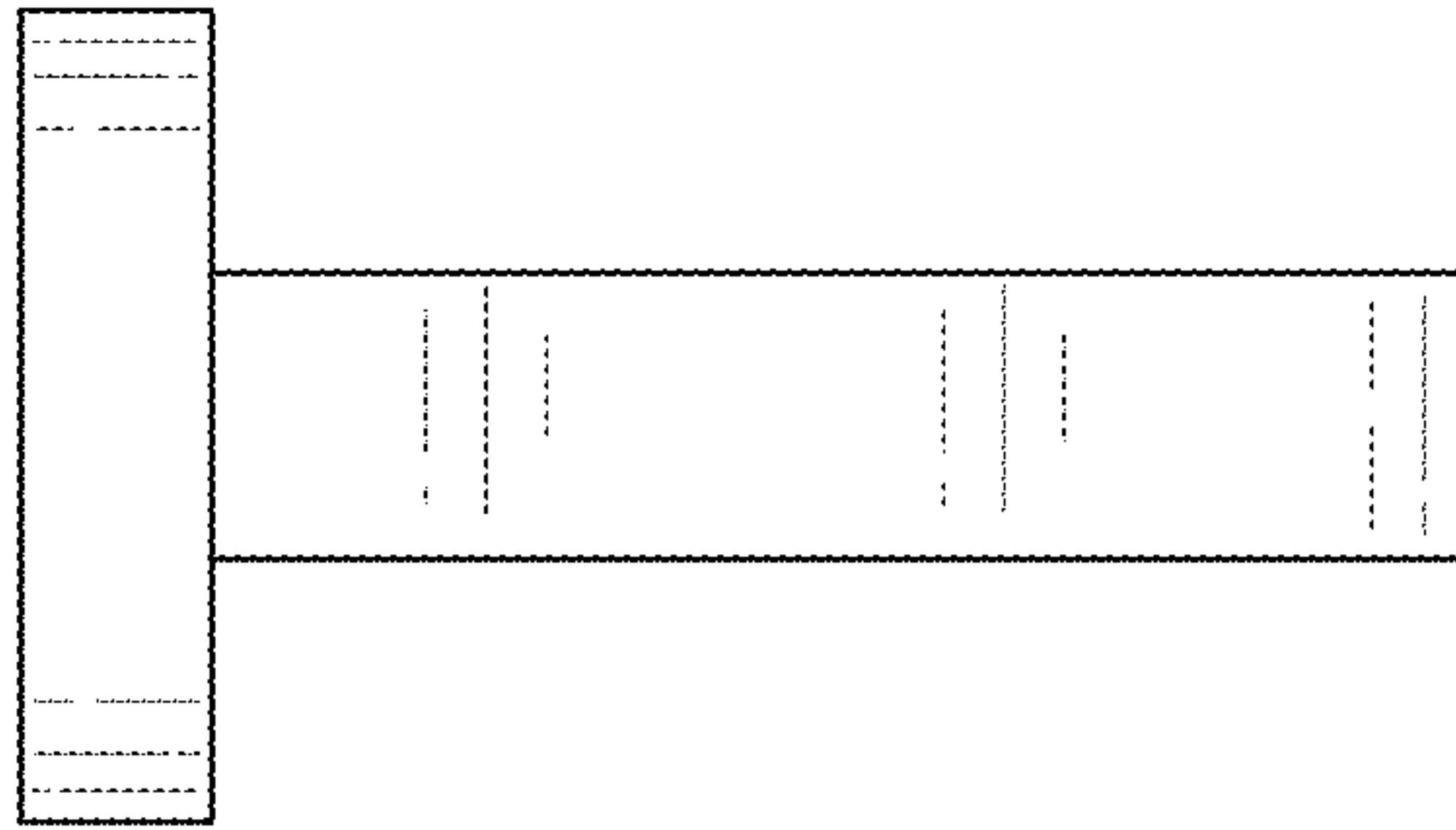
**1 Claim, 5 Drawing Sheets**

(56) **References Cited**  
 U.S. PATENT DOCUMENTS  
 3,363,214 A \* 1/1968 Wright ..... H01R 13/6205  
 439/180  
 3,521,216 A \* 7/1970 Tolegian ..... H01R 13/6205  
 439/152  
 5,206,781 A \* 4/1993 Yanaka ..... G11B 15/615  
 242/347  
 D516,028 S \* 2/2006 Deng ..... D13/133  
 7,351,066 B2 \* 4/2008 DiFonzo ..... H01R 13/641  
 439/39  
 7,462,035 B2 \* 12/2008 Lee ..... H01R 12/592  
 439/121  
 D584,689 S \* 1/2009 Slawson ..... D13/133  
 7,500,882 B2 \* 3/2009 Goetz ..... H01R 13/2428  
 439/638

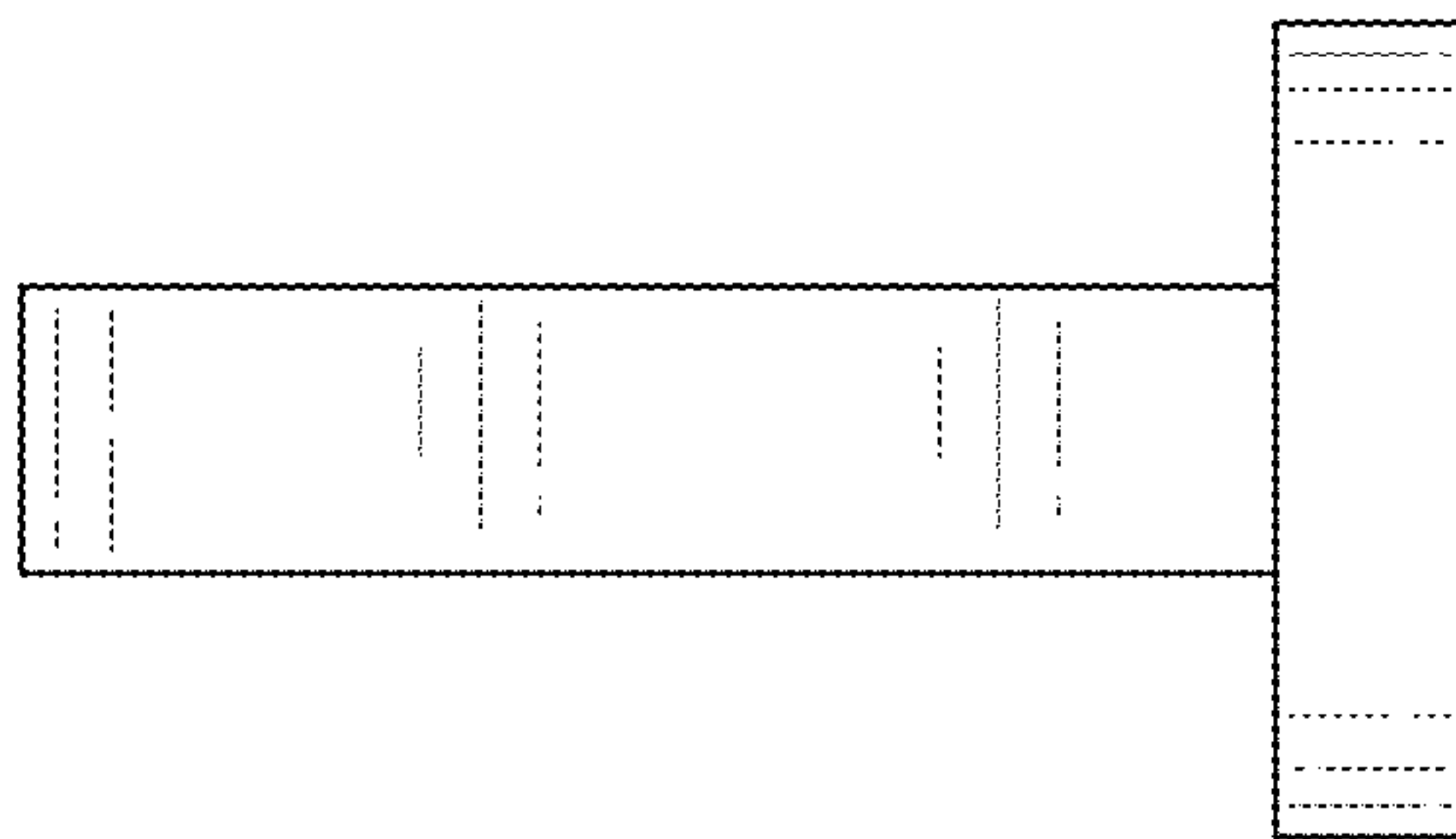




*FIG. 1*



*FIG. 2*



*FIG. 3*

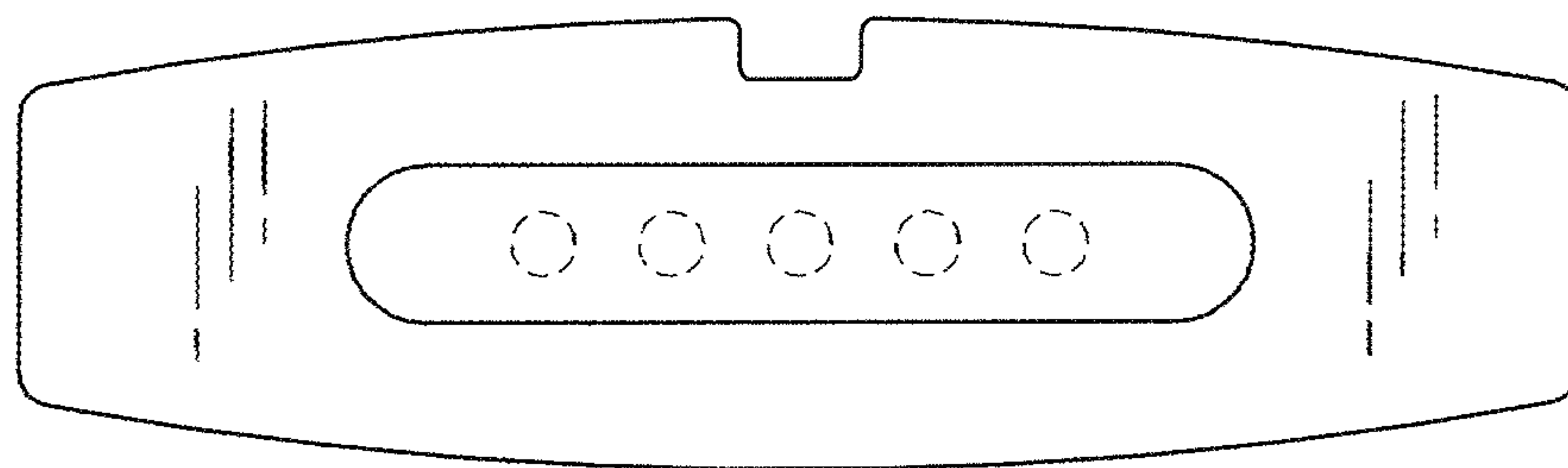


FIG. 4

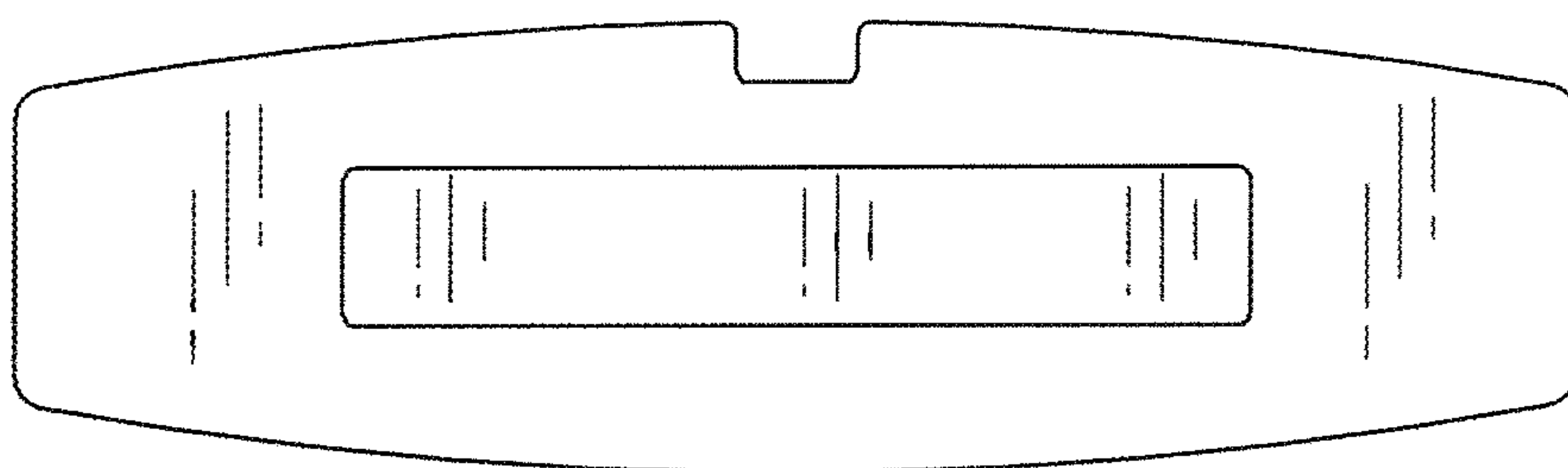


FIG. 5

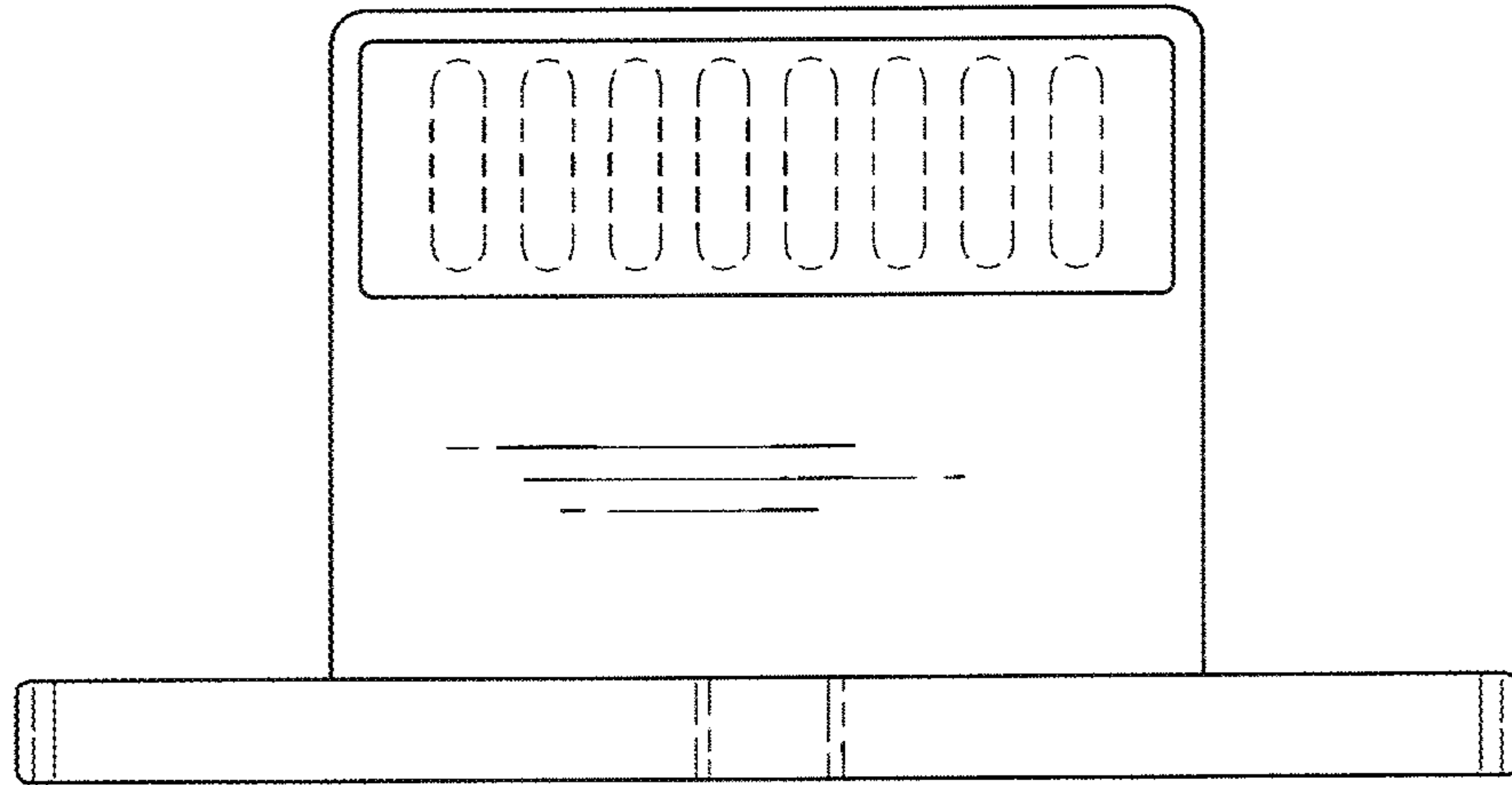


FIG. 6

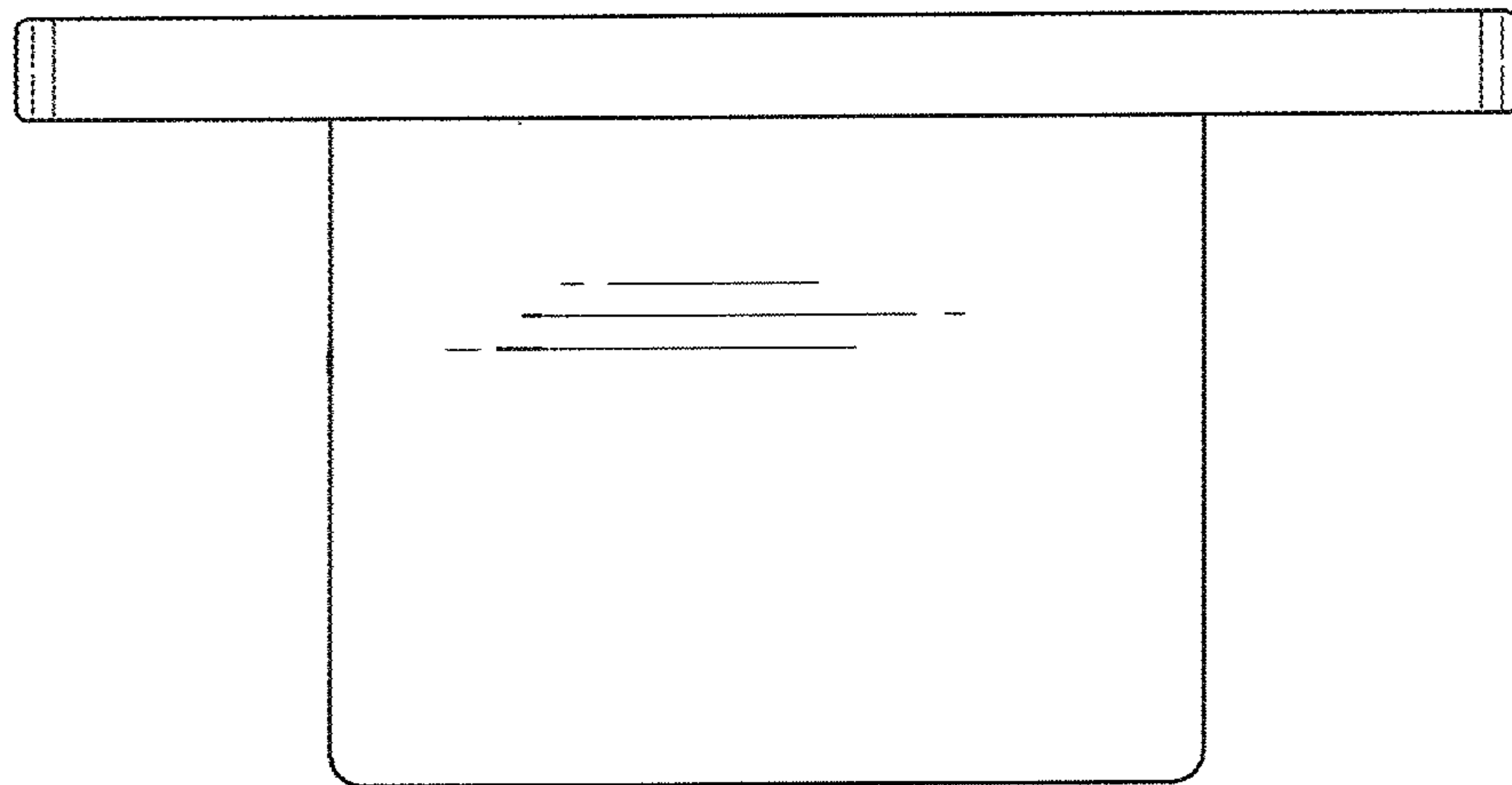


FIG. 7

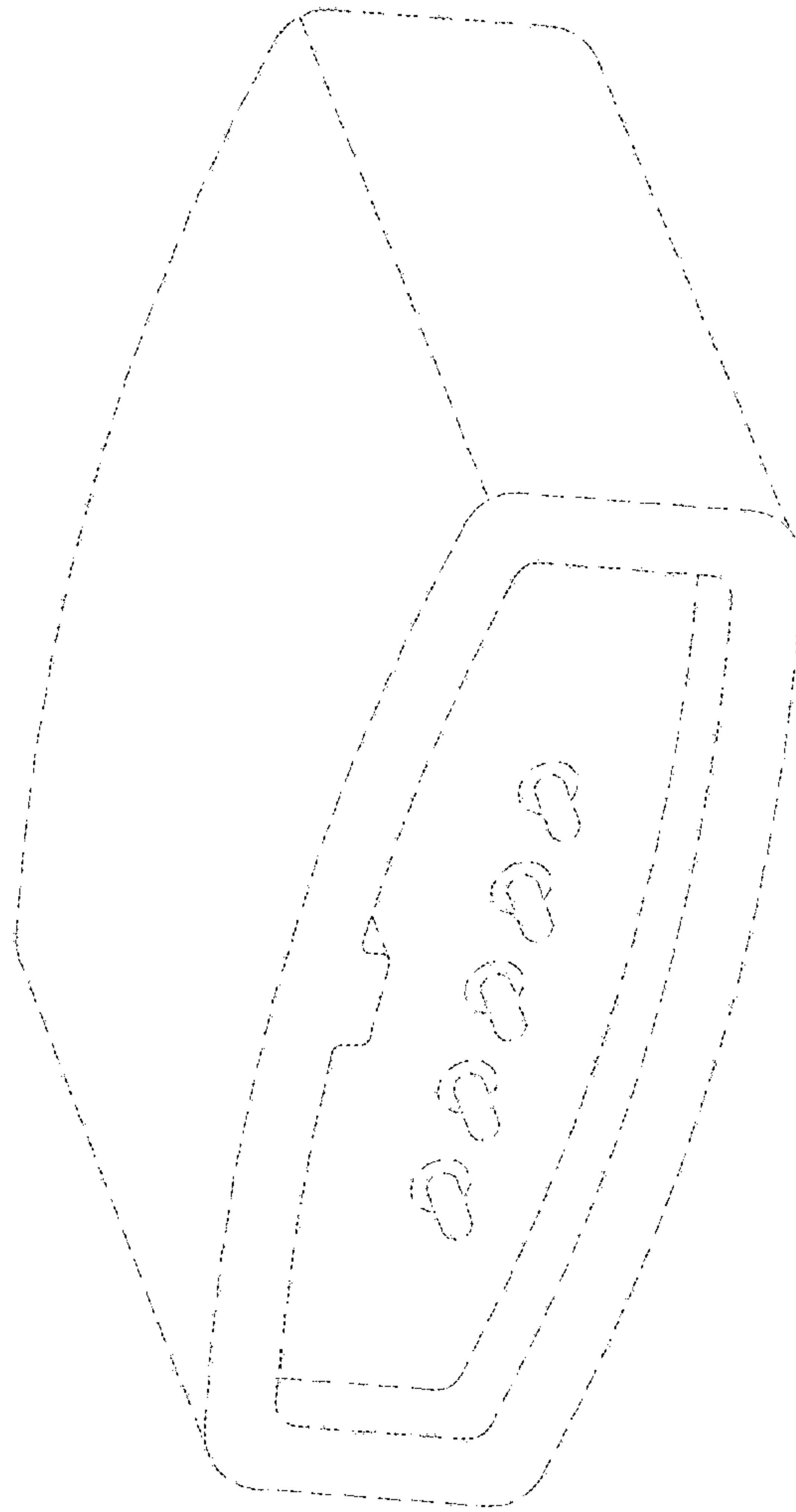


FIG. 8

