



US00D835032S

(12) **United States Design Patent**  
**Yang et al.**

(10) **Patent No.:** **US D835,032 S**  
(45) **Date of Patent:** **\*\* Dec. 4, 2018**

(54) **CHARGER**

(71) Applicant: **Ningbo Gude Electronic Technology Co., Ltd**, Zhejiang Province (CN)  
(72) Inventors: **Zhaolin Yang**, Zhejiang Province (CN); **Jianrong Zhou**, Zhejiang Province (CN); **Jun Wang**, Zhejiang Province (CN); **Shilin Wang**, Zhejiang Province (CN); **Weijun Pan**, Zhejiang Province (CN)

(\*\*) Term: **15 Years**

(21) Appl. No.: **29/608,725**

(22) Filed: **Jun. 26, 2017**

(51) **LOC (11) Cl.** ..... **13-02**

(52) **U.S. Cl.**  
USPC ..... **D13/107**

(58) **Field of Classification Search**  
USPC ..... D13/107, 108, 109, 110, 118, 119, 184, D13/103; D14/251, 253, 432, 434, 224, D14/209.01, 216, 217  
CPC ..... Y02E 60/12; Y02T 90/14; Y02T 90/122; Y02T 90/128; Y02T 90/163; H02J 7/025; H02J 7/0042; H02J 7/0044; H02J 7/0045; H02J 7/0003; H02J 2001/008; H02J 3/32; H02J 3/008; H02J 7/0027; H02J 7/0013; H02J 7/0054; H02J 7/00; H01F 38/14; H01R 13/6675; H01M 2/1022; H01M 2/1055; H01M 10/44; H01M 10/46; H01M 10/425; B60L 11/182; B60L 11/1809; B60L 11/1861; B60R 16/03

See application file for complete search history.

(56) **References Cited**

U.S. PATENT DOCUMENTS

D416,226 S *	11/1999	Lohrding .....	D13/110
D545,760 S *	7/2007	Concari .....	D13/107
D562,231 S *	2/2008	Osiecki .....	D13/107
D689,432 S *	9/2013	Itoh .....	D13/103
D725,031 S *	3/2015	Tinius .....	D13/103

\* cited by examiner

*Primary Examiner* — Rosemary K Tarcza

*Assistant Examiner* — Christy M Nemeth

(74) *Attorney, Agent, or Firm* — Prakash Nama; Global IP Services, PLLC

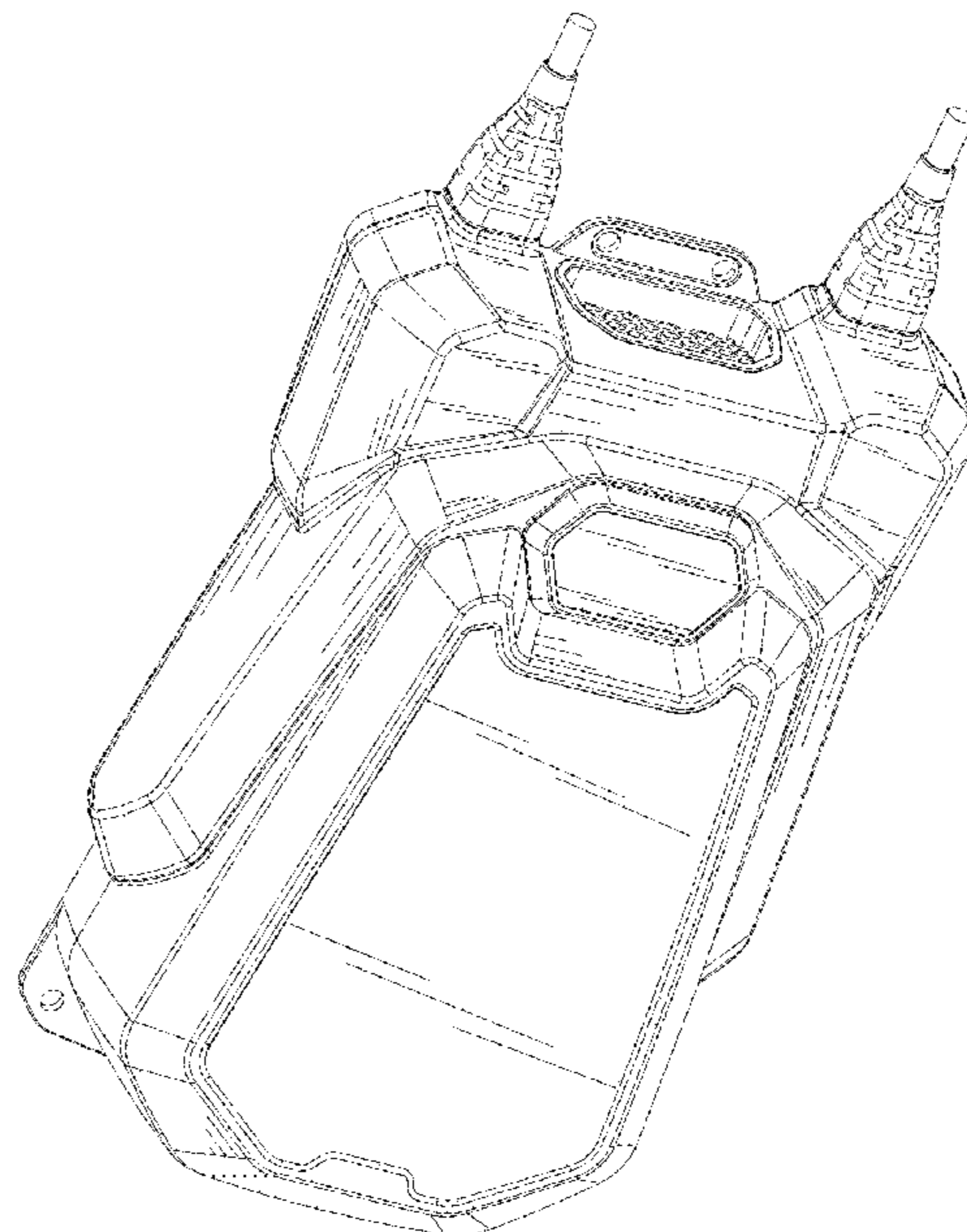
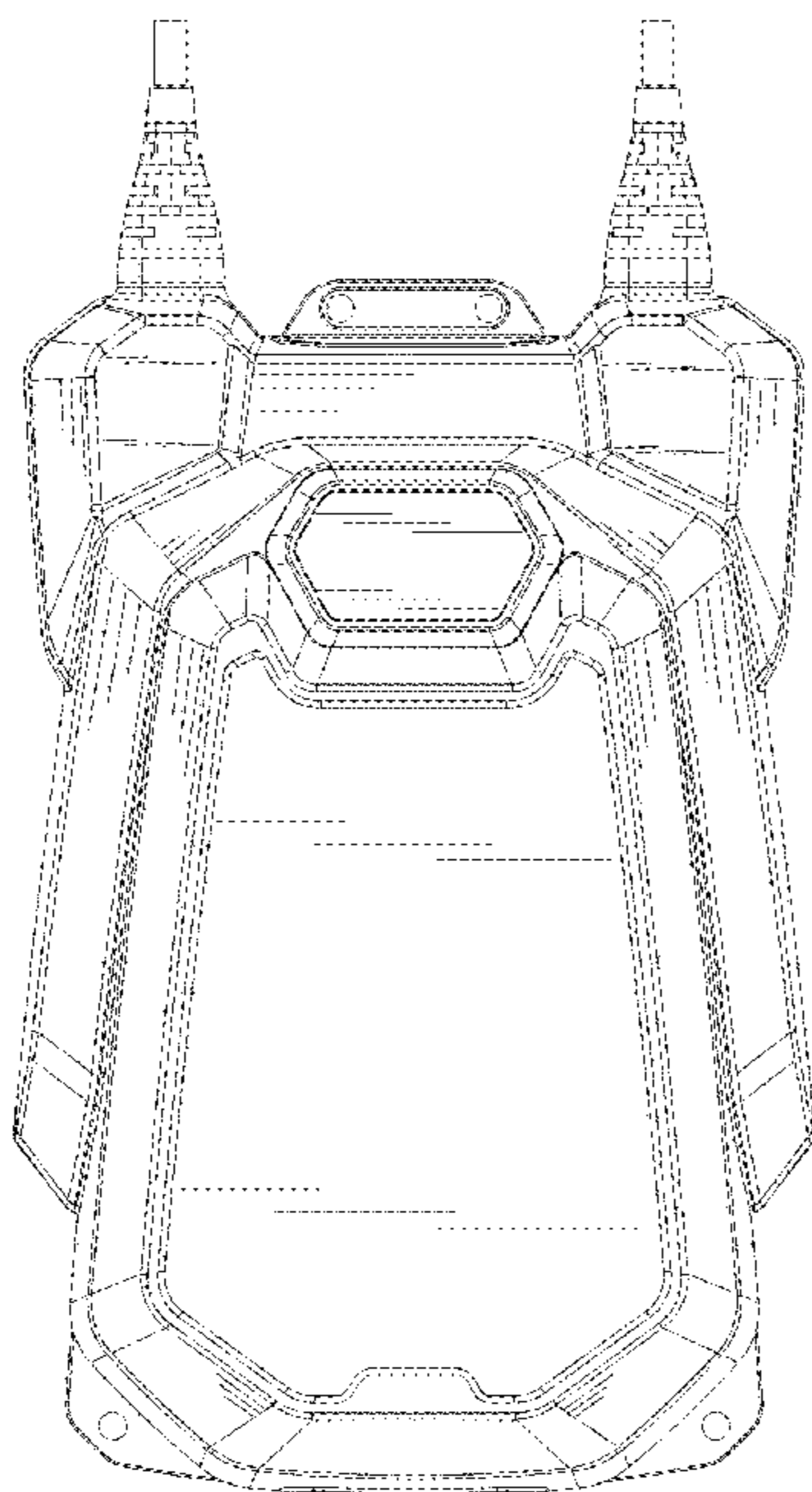
(57) **CLAIM**

The ornamental design for a charger, as shown and described.

**DESCRIPTION**

FIG. 1 is a front elevational view of a charger showing our new design;  
FIG. 2 is a rear elevational view thereof;  
FIG. 3 is a left side view thereof;  
FIG. 4 is a right side view thereof;  
FIG. 5 is an enlarged top plan view thereof;  
FIG. 6 is an enlarged bottom plan view thereof;  
FIG. 7 is a front, top, left side perspective view thereof;  
FIG. 8 is a front, bottom, right side perspective view thereof;  
FIG. 9 is an enlarged view of portion 9 shown in FIG. 5; and,  
FIG. 10 is an enlarged view of portion 10 shown in FIG. 6.  
The broken lines in the drawings are for the purpose of illustrating portions of the charger that form no part of the claimed design.

**1 Claim, 10 Drawing Sheets**



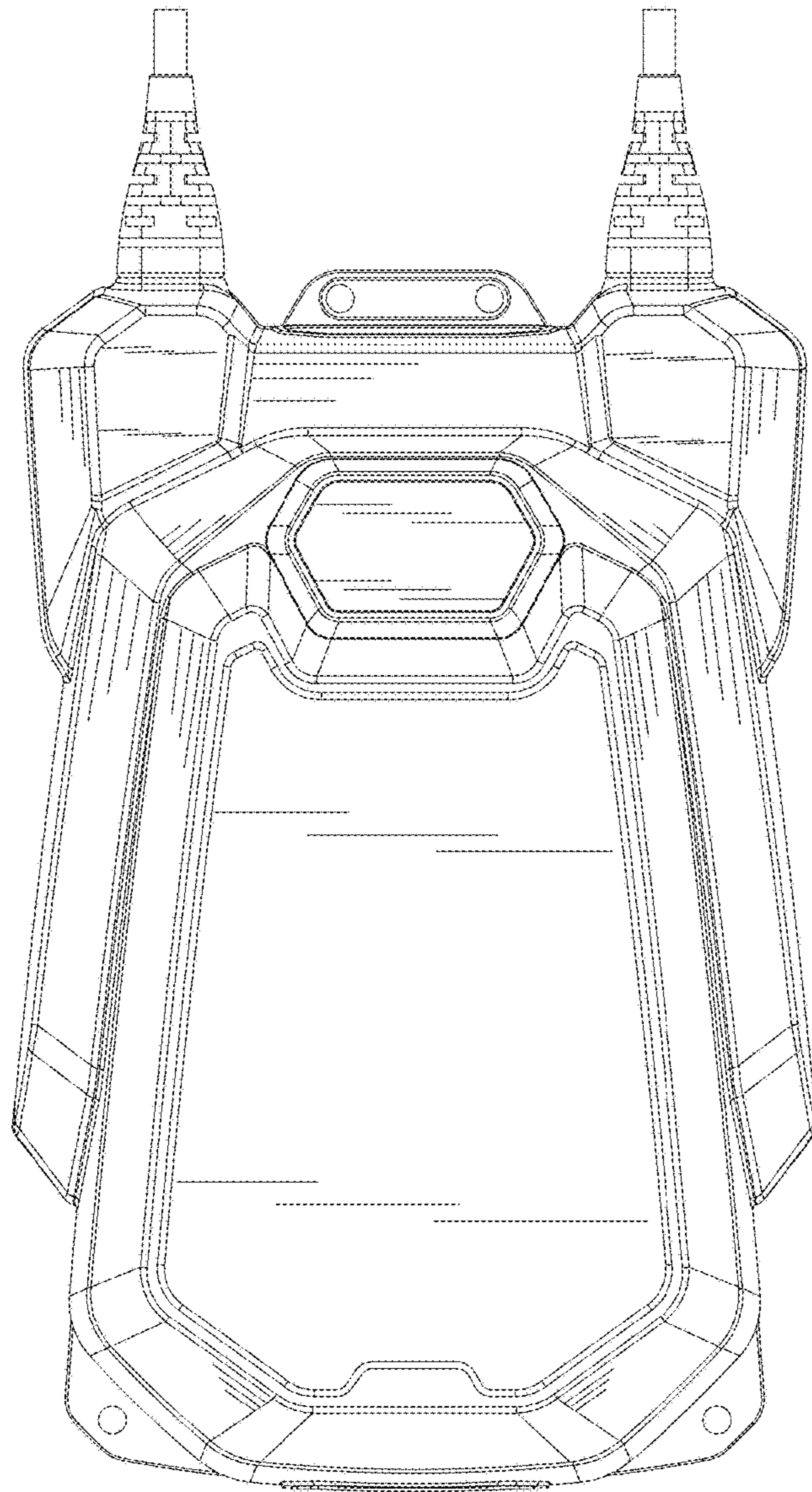


FIG. 1

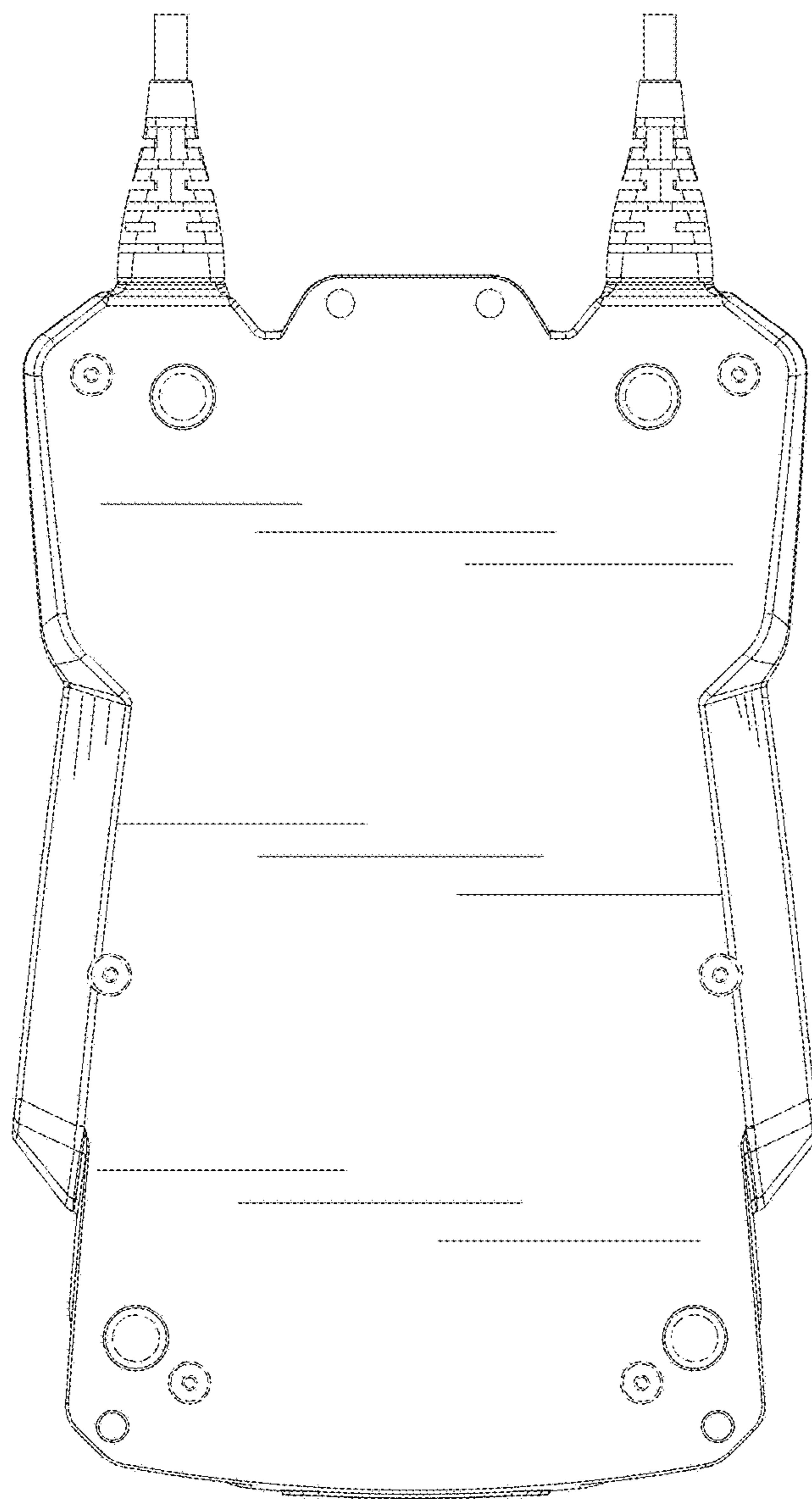


FIG. 2

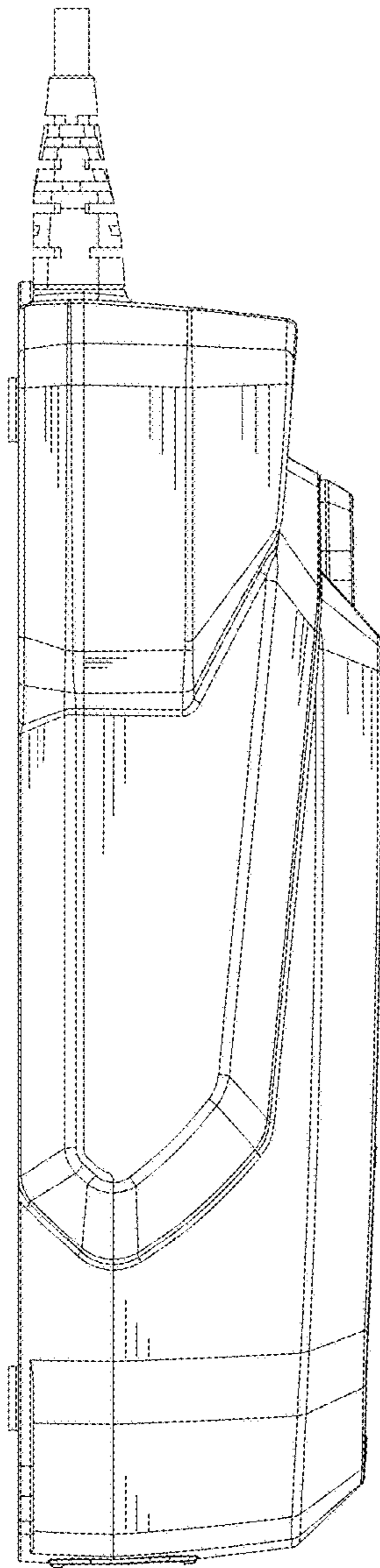


FIG. 3

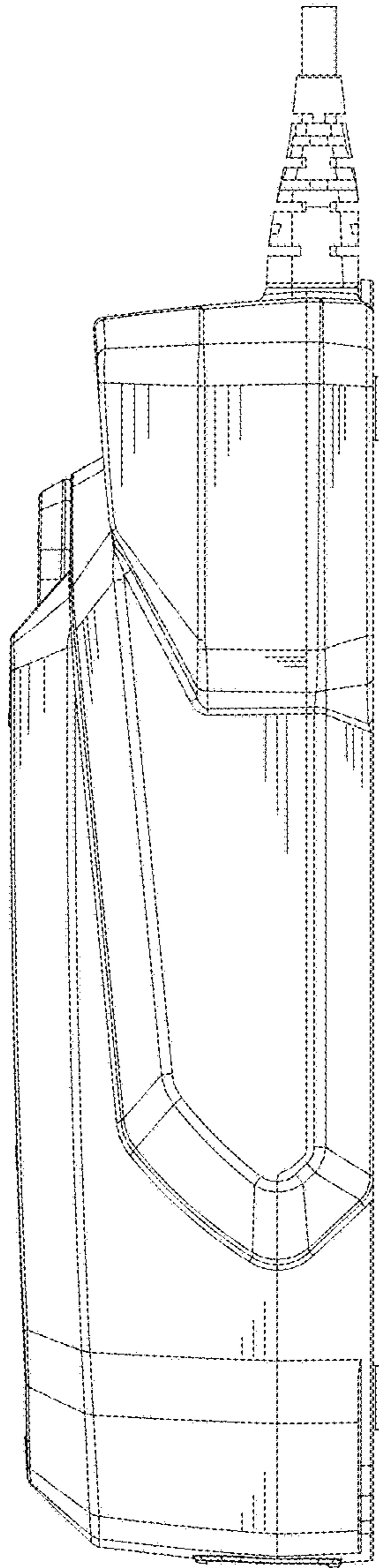


FIG. 4

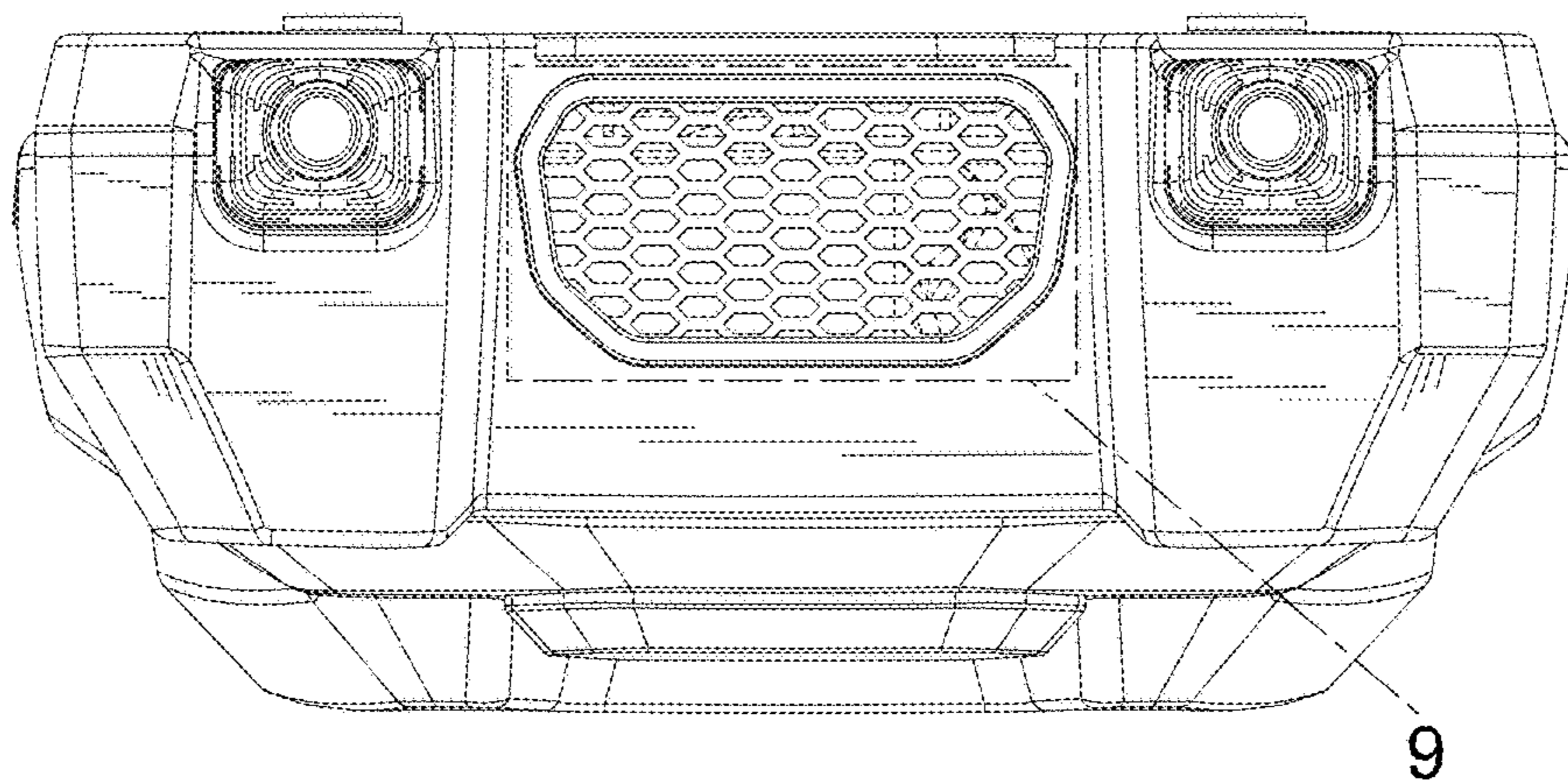


FIG. 5

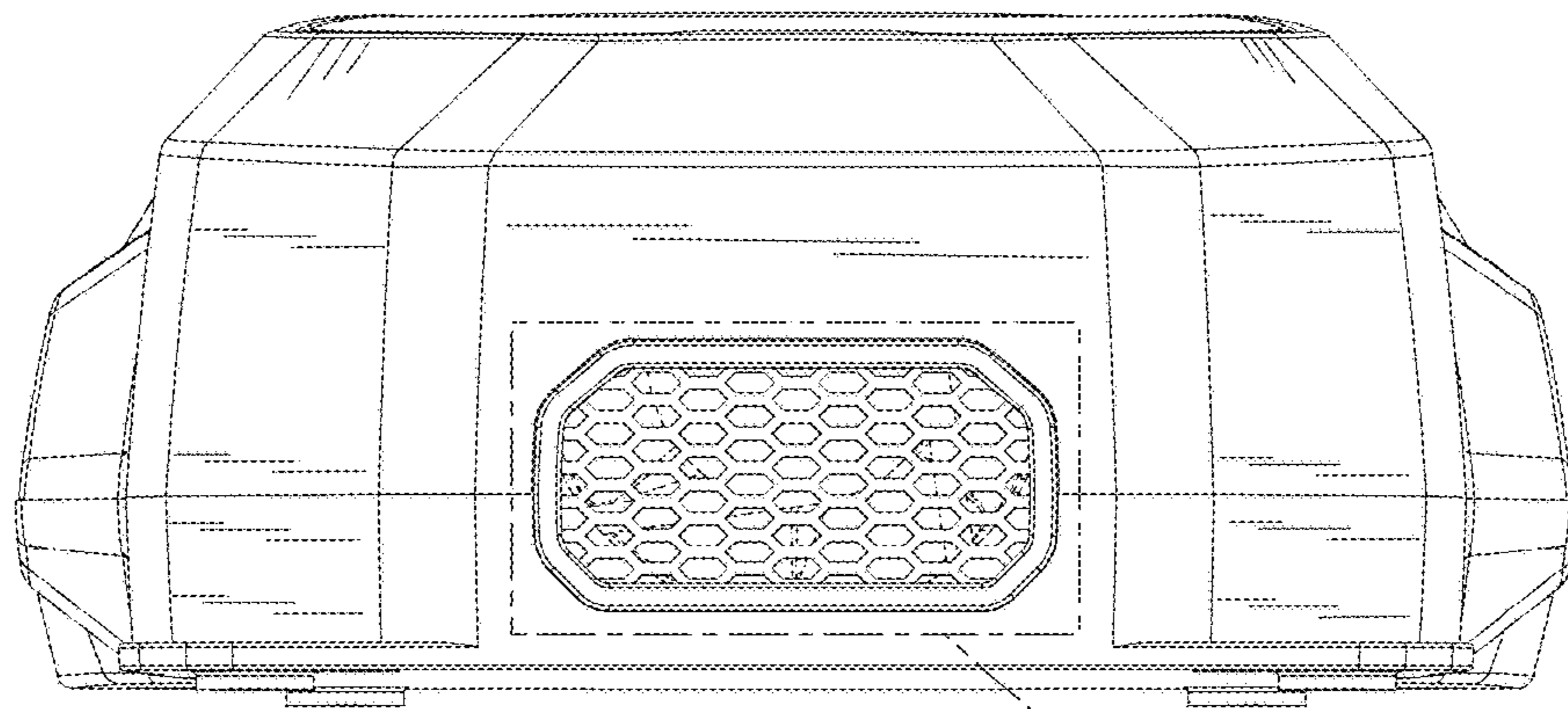


FIG. 6

10

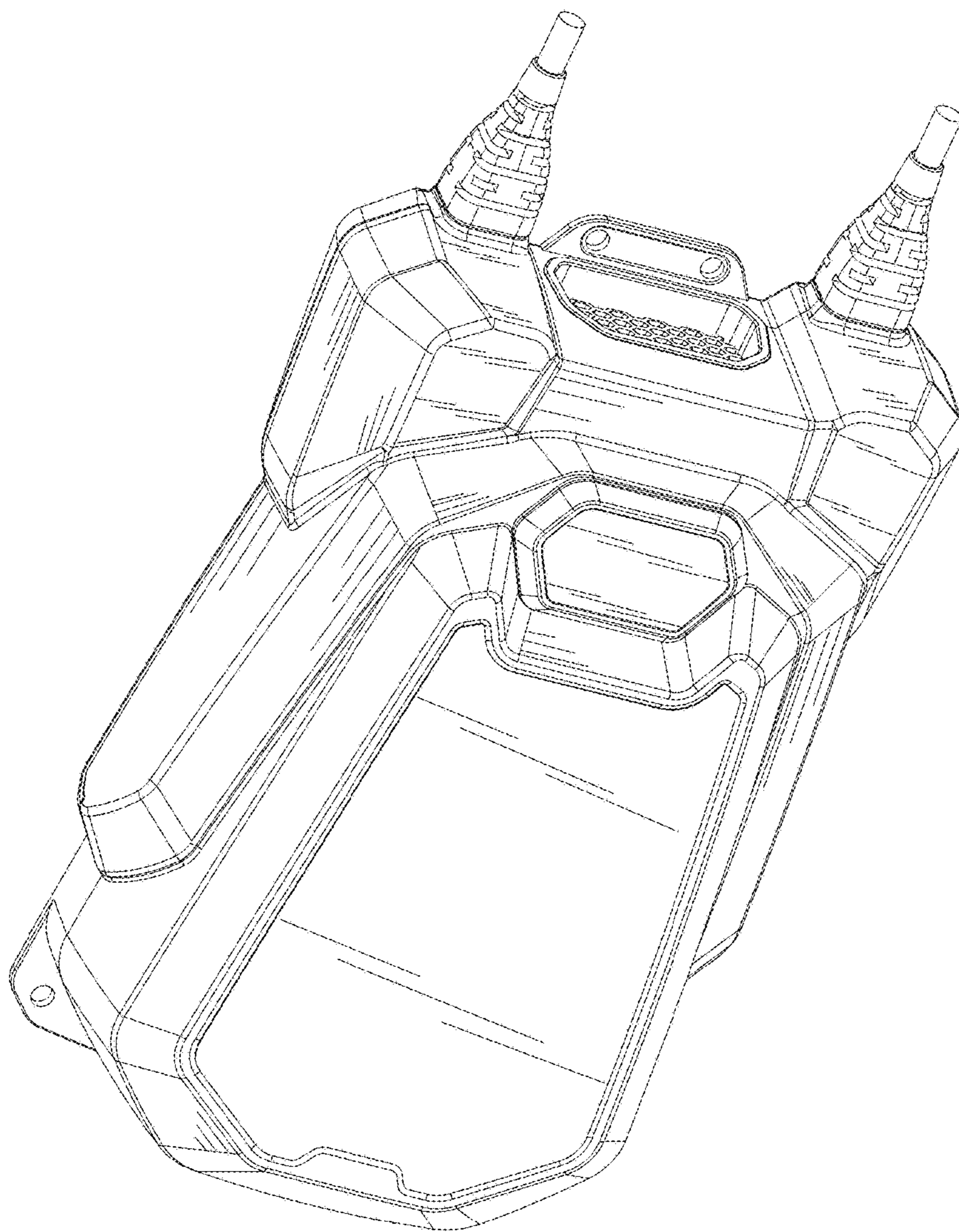


FIG. 7



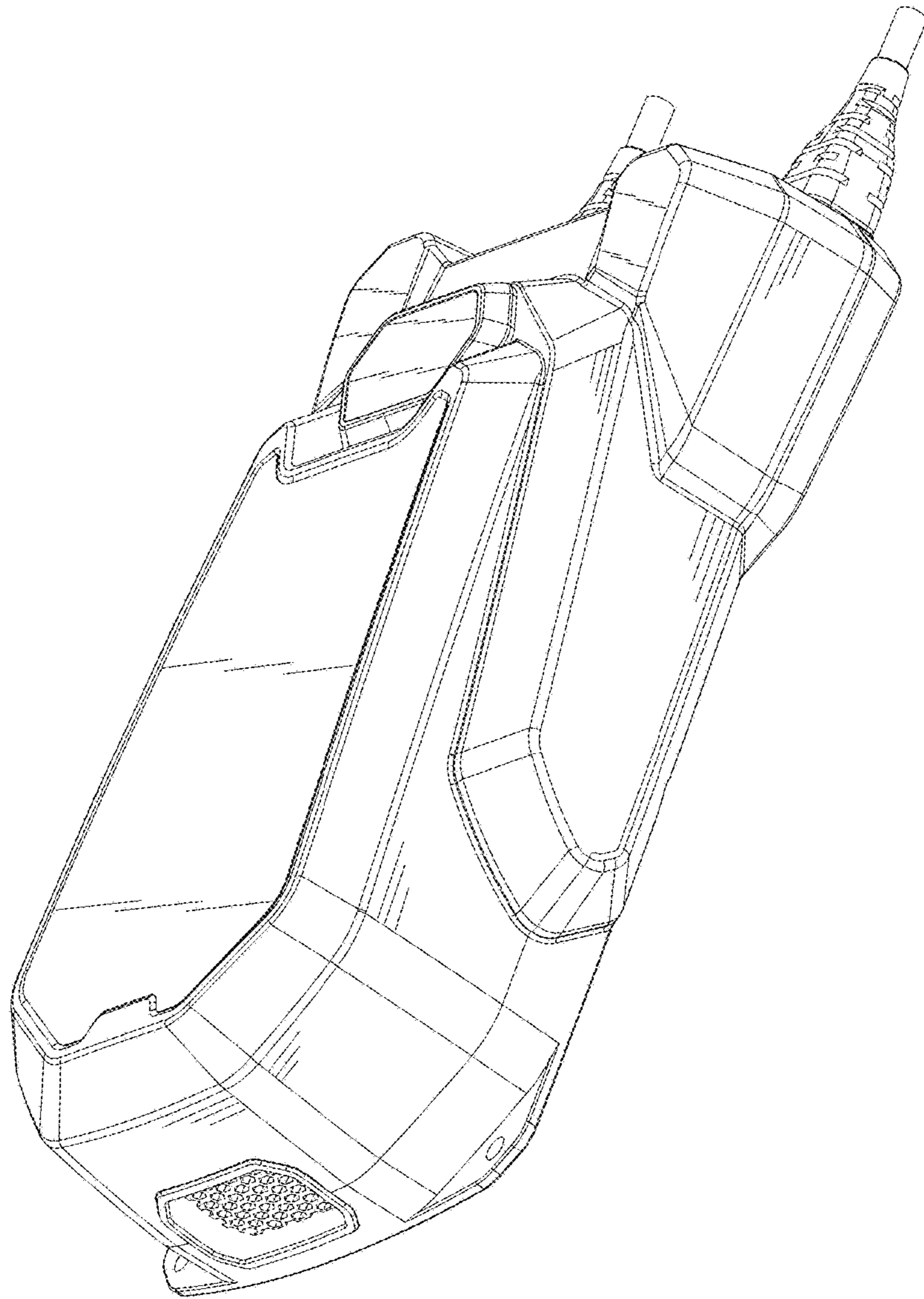


FIG. 8

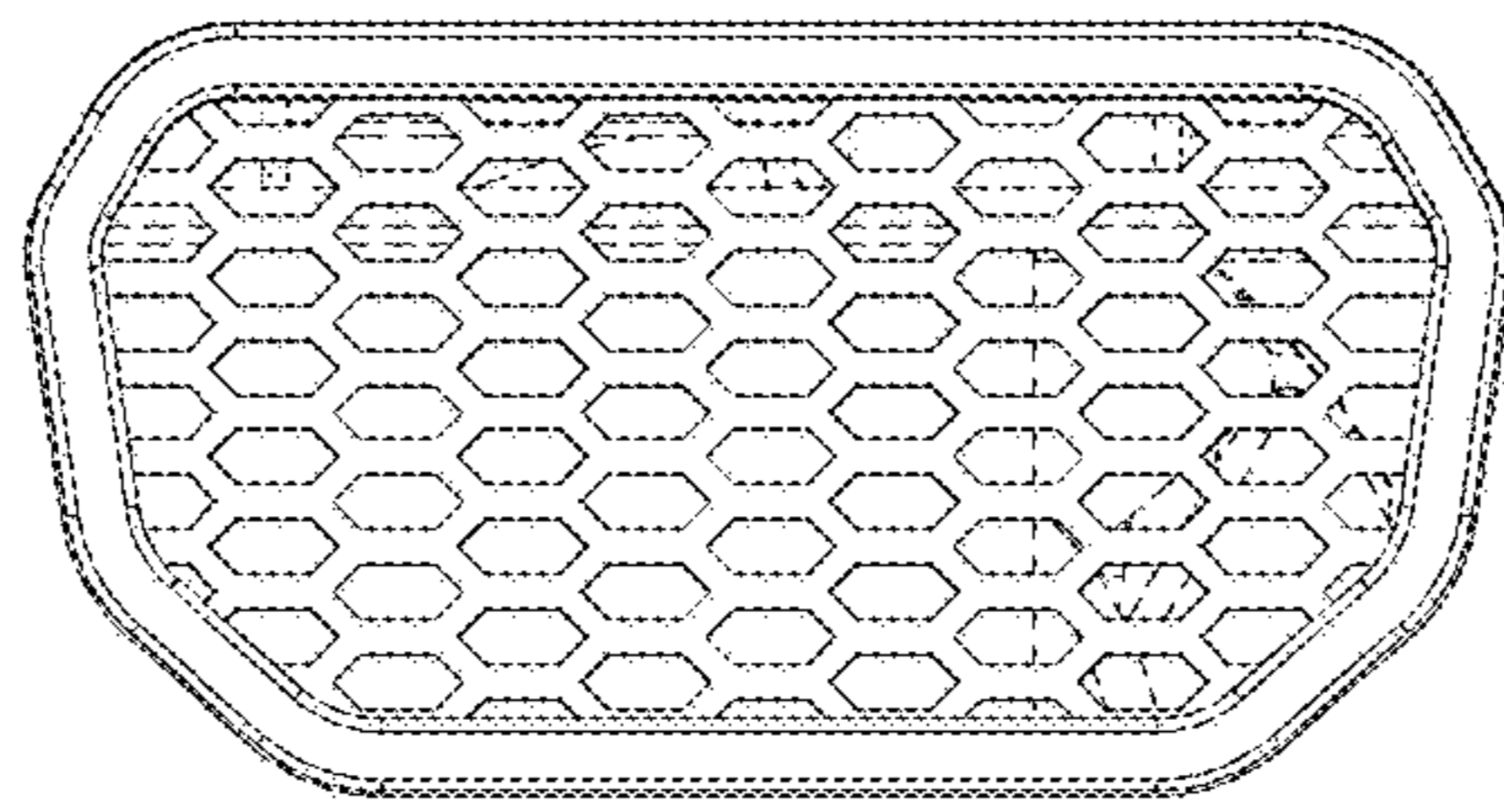


FIG. 9

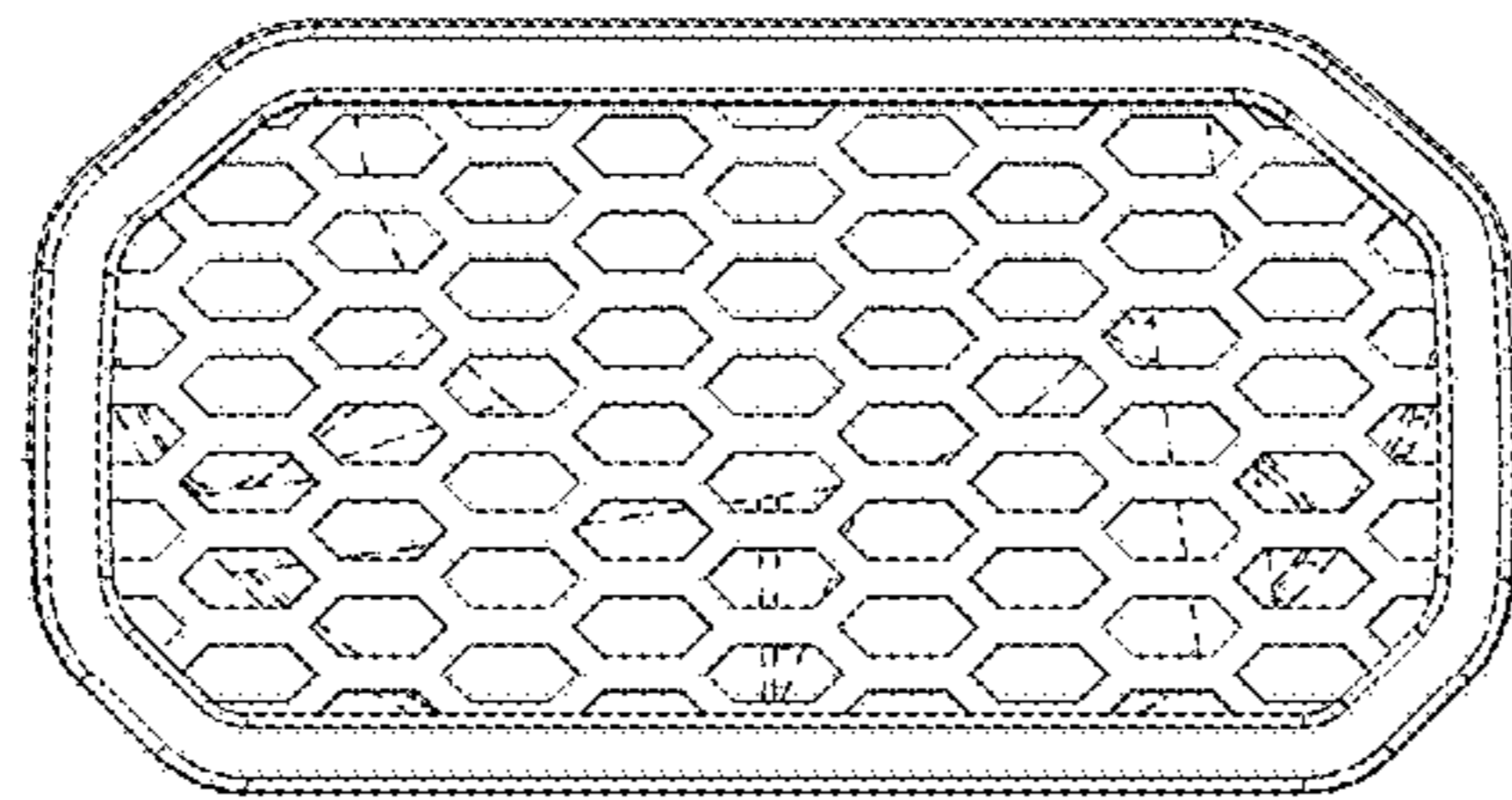


FIG. 10