



US00D835031S

(12) **United States Design Patent**
Steinfeldt

(10) **Patent No.:** **US D835,031 S**

(45) **Date of Patent:** **** Dec. 4, 2018**

(54) **SOLAR CELL**

(71) Applicant: **SolAero Technologies Corp.**,
Albuquerque, NM (US)

(72) Inventor: **Jeffrey Steinfeldt**, Rio Rancho, NM
(US)

(73) Assignee: **SolAero Technologies Corp.**,
Albuquerque, NM (US)

(**) Term: **15 Years**

(21) Appl. No.: **29/622,451**

(22) Filed: **Oct. 17, 2017**

(51) **LOC (11) Cl.** **13-03**

(52) **U.S. Cl.**
USPC **D13/102**

(58) **Field of Classification Search**
USPC D13/101, 102, 118, 184, 199
CPC H02J 7/0042; H02J 7/0045; H02J 7/0052;
H01R 31/06; H01R 24/38; H01L 31/042;
H01L 31/045; H01L 31/046; H01L
31/048; H01L 31/05; H01L 31/052; H01L
31/0525; H02S 30/00; H02S 20/10; H02S
20/23; H02S 20/30; H02S 40/34; H02S
40/44; F24J 2/52; F03G 6/00
See application file for complete search history.

(56) **References Cited**

U.S. PATENT DOCUMENTS

D558,139 S * 12/2007 Sharma D13/102
D652,375 S * 1/2012 Kannou D13/102

D748,572 S * 2/2016 Becker D13/102
D765,024 S * 8/2016 Crist D13/102
D765,590 S * 9/2016 Crist D13/102
D769,808 S * 10/2016 Derkacs D13/102
D788,029 S * 5/2017 Derkacs D13/102
D795,800 S * 8/2017 Derkacs D13/102
D815,031 S * 4/2018 Yang D13/102
D817,264 S * 5/2018 Detrick D13/102

* cited by examiner

Primary Examiner — Daniel D Bui

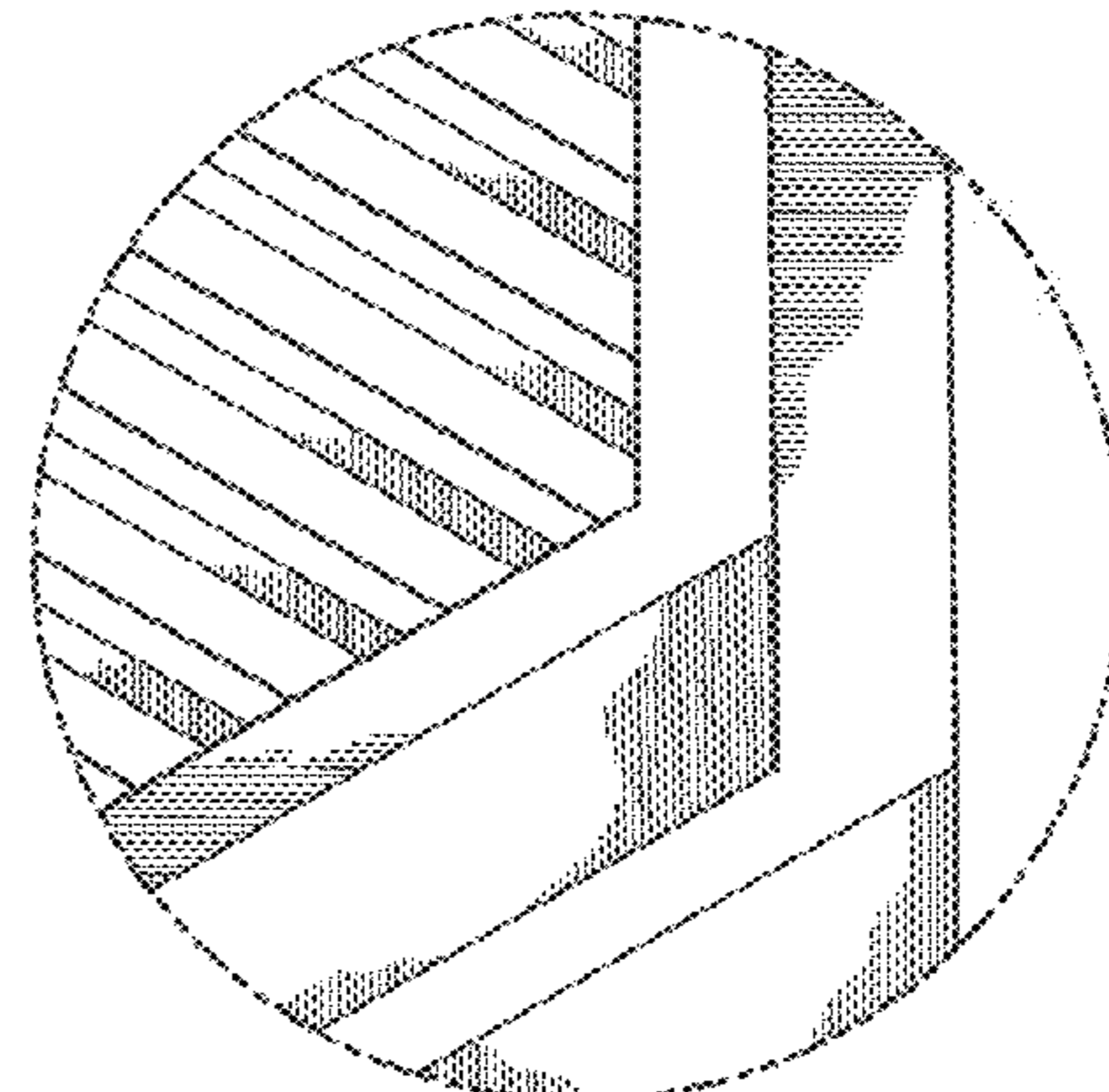
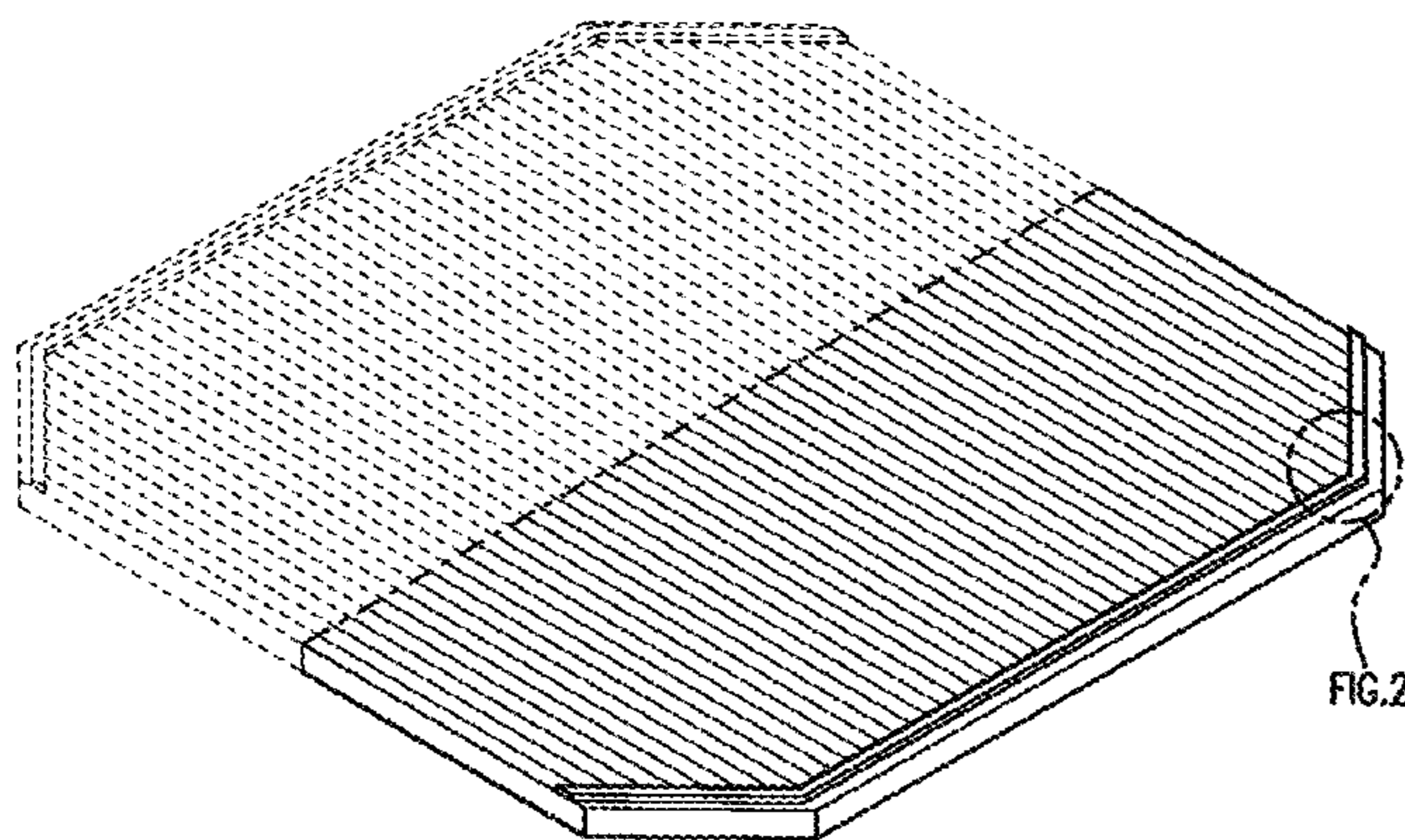
(57) **CLAIM**

The ornamental design for a solar cell, as shown and described.

DESCRIPTION

FIG. 1 is a top perspective view of a solar cell showing my new design;
FIG. 2 is an enlarged fragmental view taken from the designated area in FIG. 1;
FIG. 3 is another top perspective view thereof;
FIG. 4 is an enlarged fragmental view taken from the designated area in FIG. 3;
FIG. 5 is a top plan view thereof;
FIG. 6 is a rear side elevation view thereof;
FIG. 7 is a front side elevation view thereof;
FIG. 8 is a left side elevation view thereof;
FIG. 9 is a right side elevation view thereof; and,
FIG. 10 is a bottom plan view thereof.
In the drawing views, the even-broken line represents unclaimed environment and forms no part of the claimed design. The long dash-short dash represents the boundary of the claimed design.

1 Claim, 6 Drawing Sheets



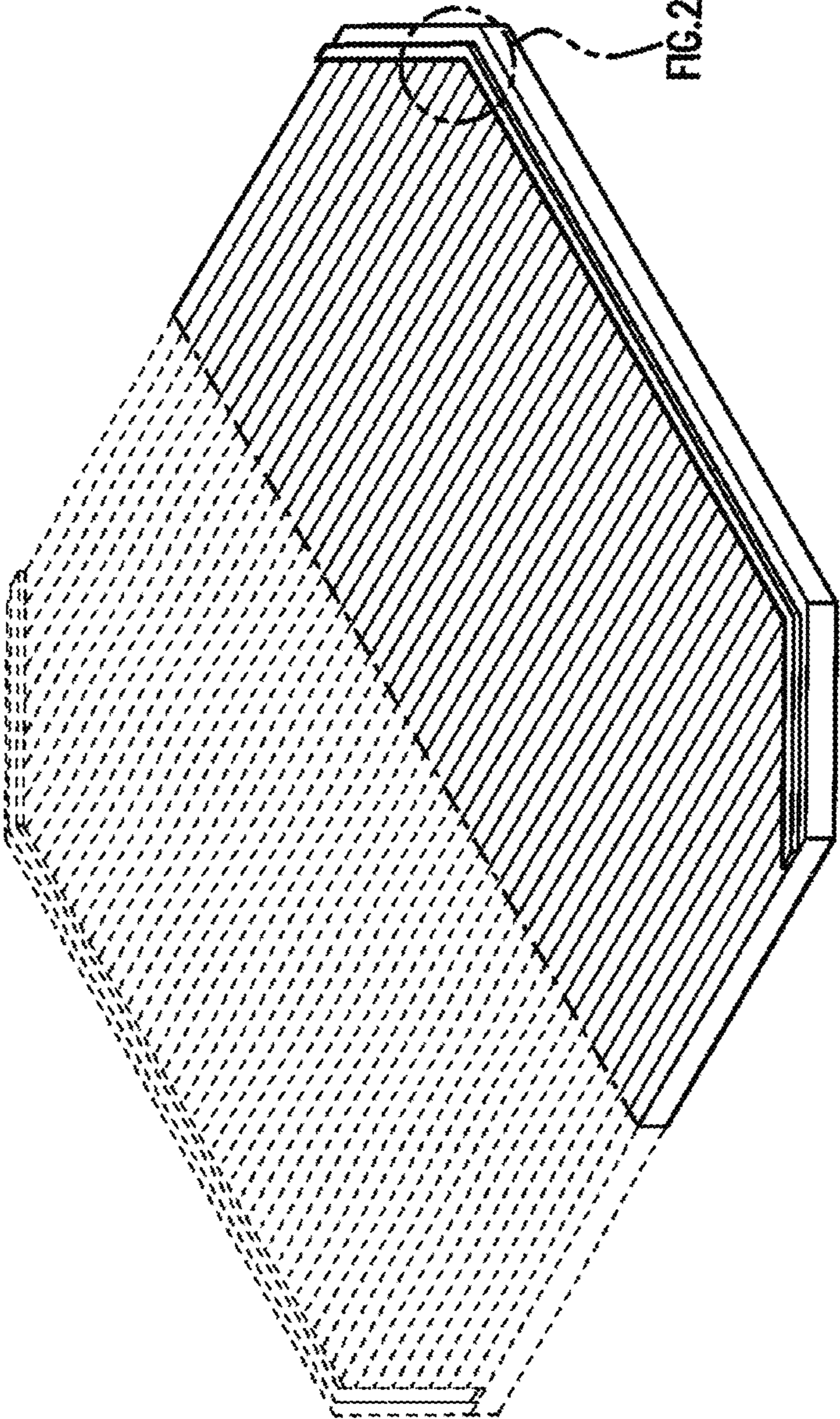


FIG. 1

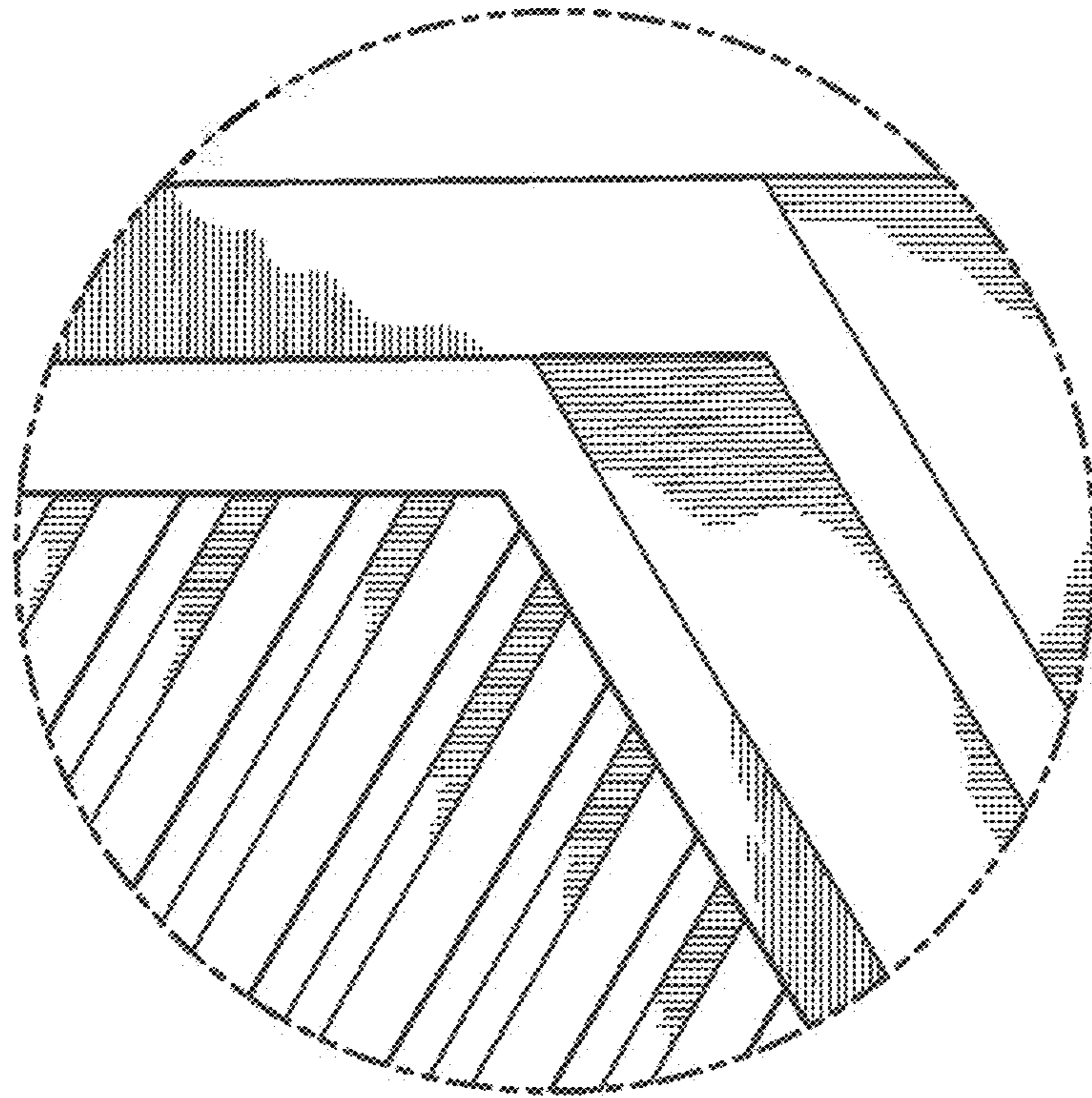


FIG. 2

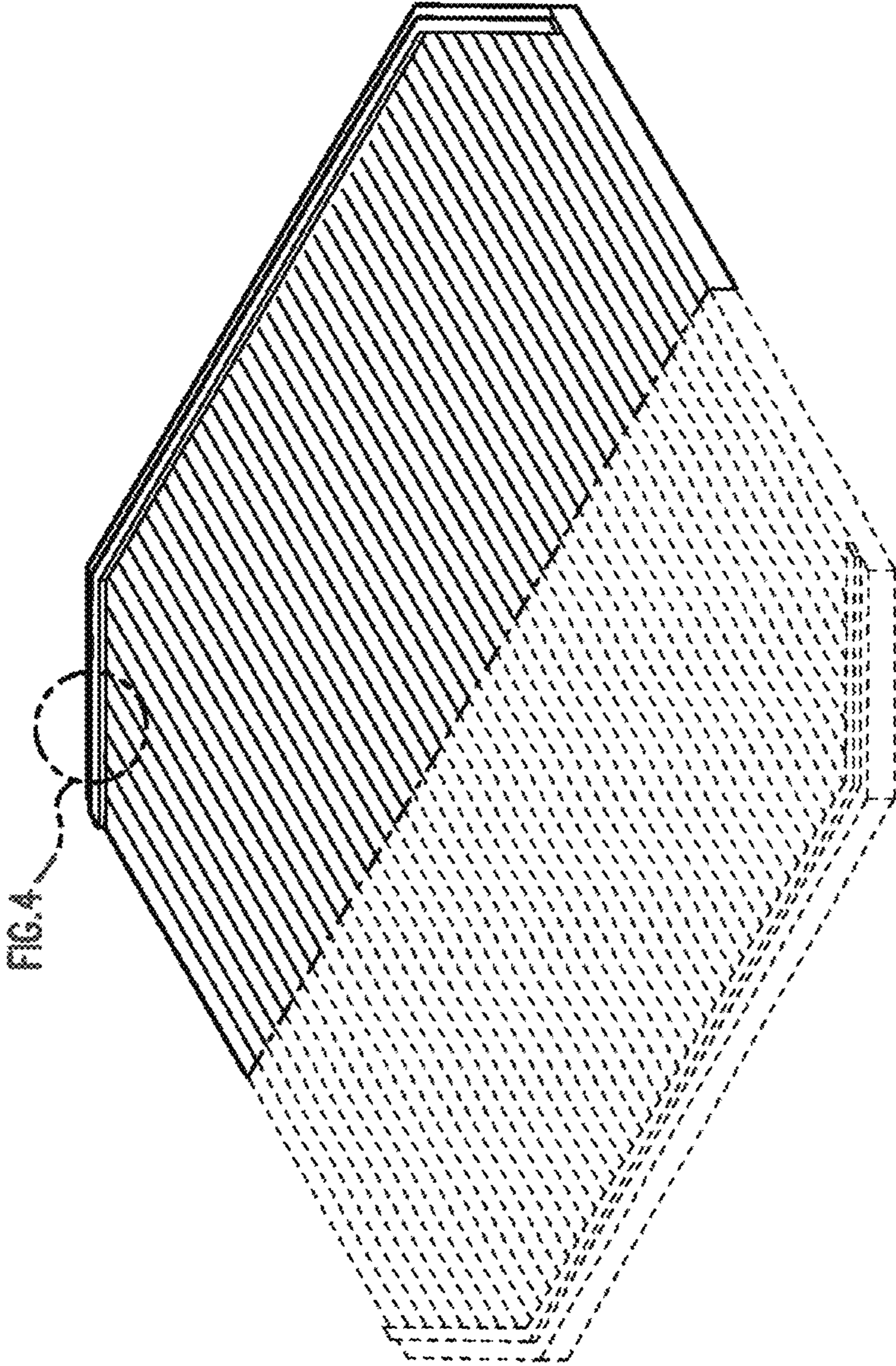


FIG. 3

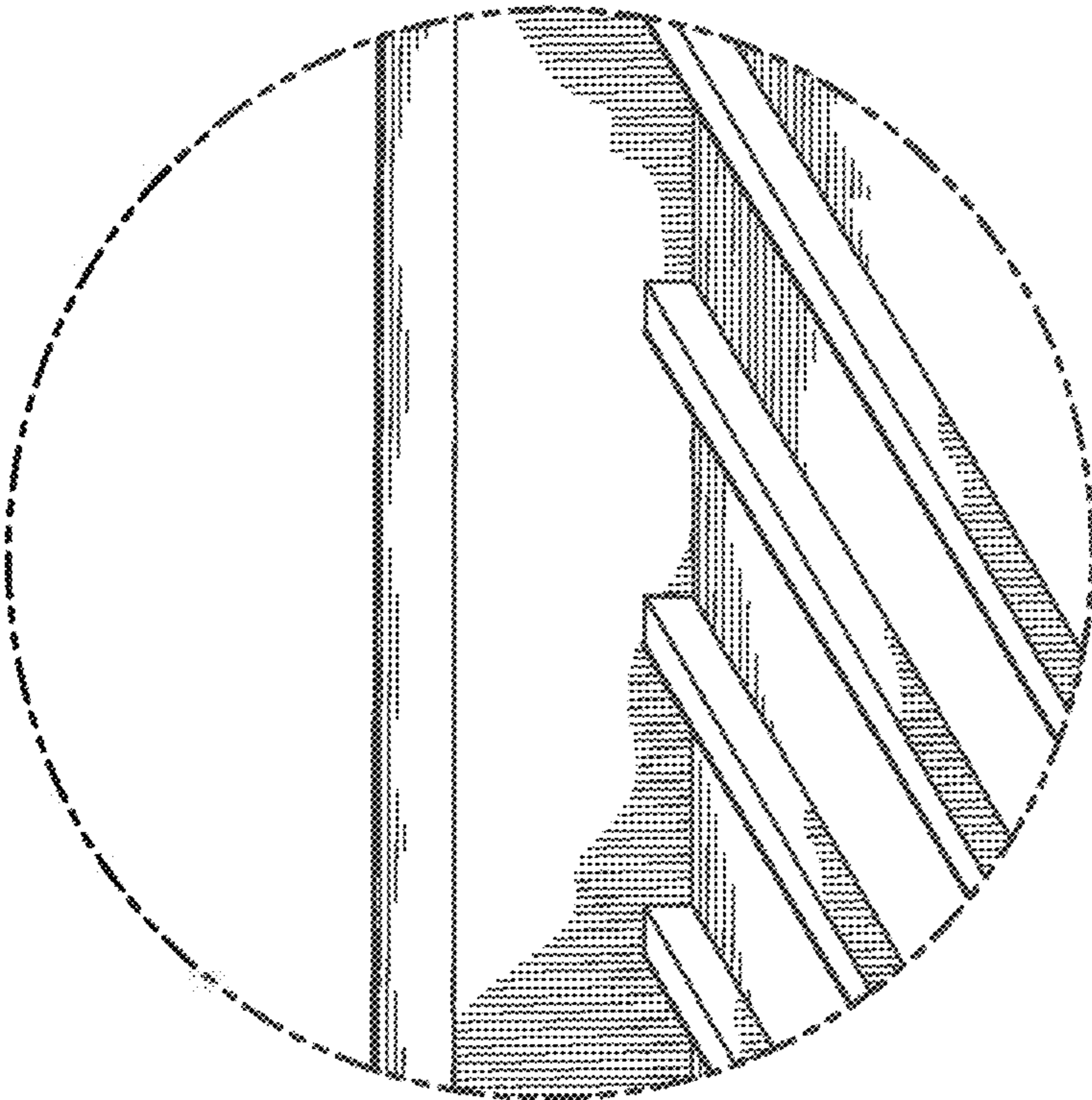


FIG. 4

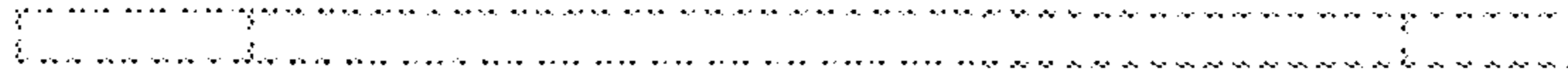


FIG. 6

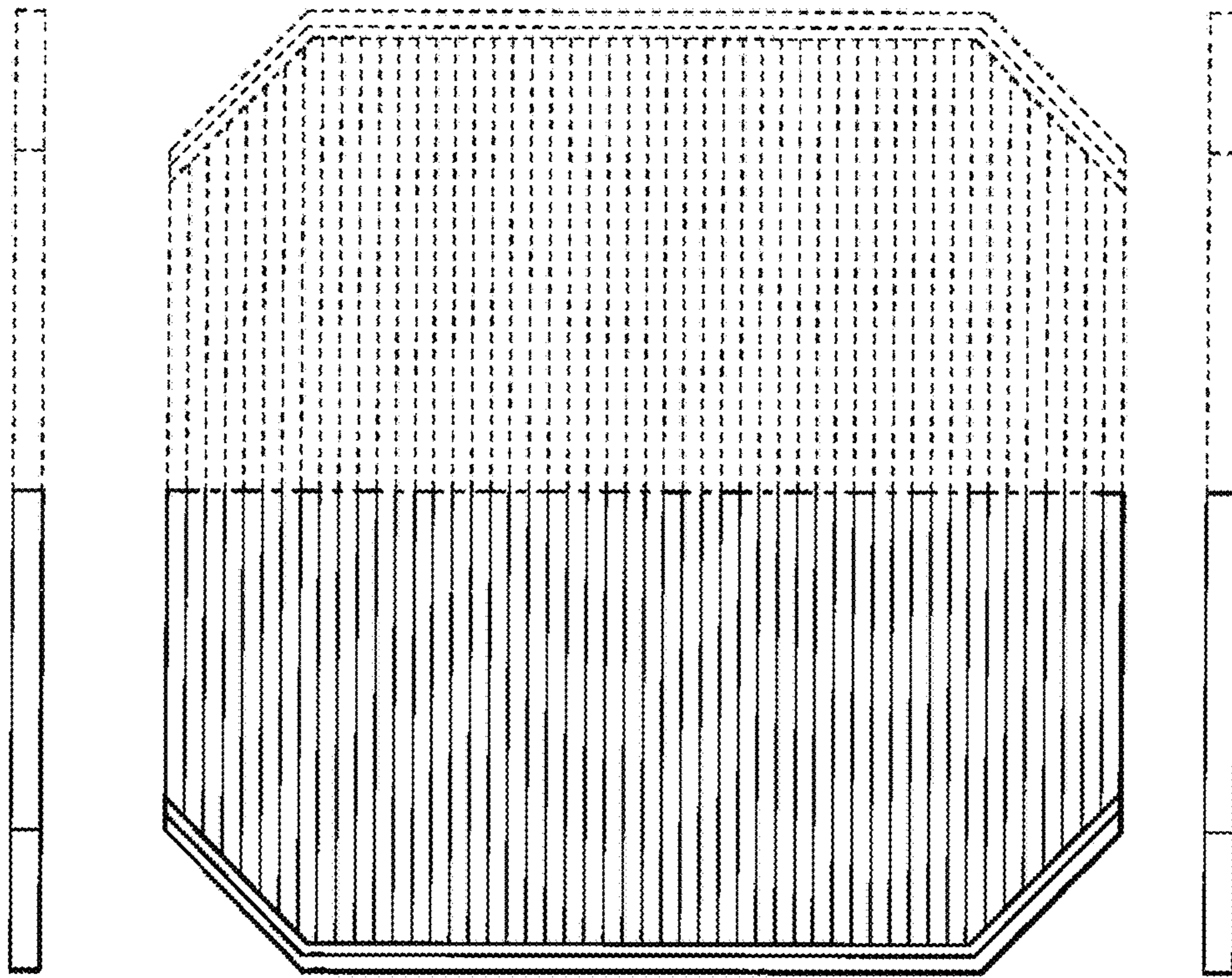


FIG. 8

FIG. 5

FIG. 9

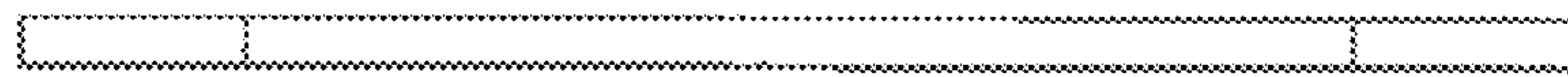


FIG. 7

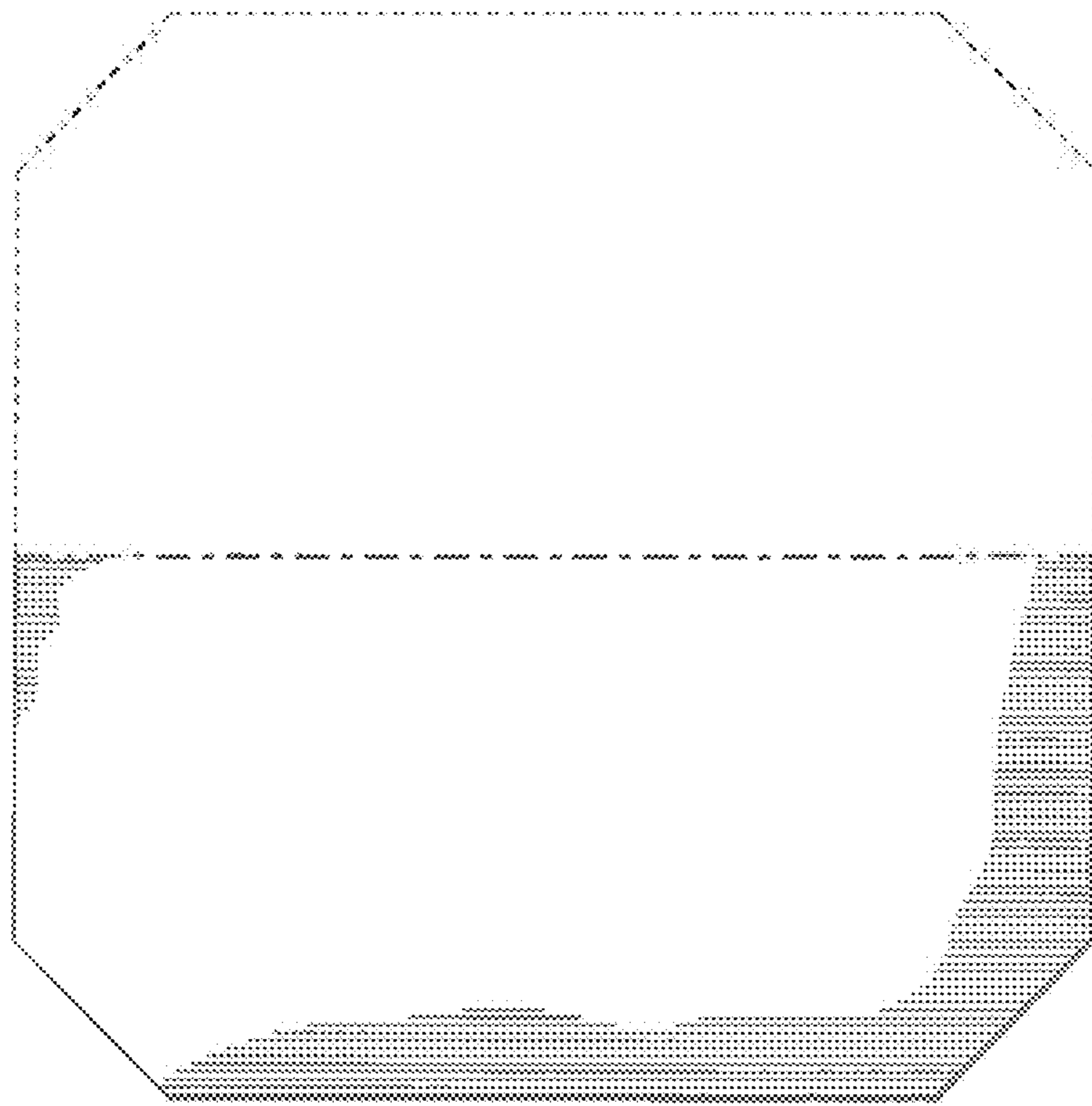


FIG. 10