



US00D835029S

(12) **United States Design Patent** (10) **Patent No.:** **US D835,029 S**
Son (45) **Date of Patent:** **** Dec. 4, 2018**

(54) **TIRE TREAD**

(71) Applicant: **Hankook Tire Co., Ltd.**, Seoul (KR)

(72) Inventor: **Su Jin Son**, Seoul (KR)

(73) Assignee: **Hankook Tire Co., Ltd.**, Seoul (KR)

(**) Term: **15 Years**

(21) Appl. No.: **29/602,883**

(22) Filed: **May 4, 2017**

(30) **Foreign Application Priority Data**

Nov. 7, 2016 (KR) 30-2016-0053413

(51) **LOC (11) Cl.** **12-15**

(52) **U.S. Cl.**
USPC **D12/591**; D12/588

(58) **Field of Classification Search**
USPC D12/586, 588, 589, 590, 591, 600, 601
CPC B60C 11/0306; B60C 11/032; B60C 11/0388
See application file for complete search history.

(56) **References Cited**

U.S. PATENT DOCUMENTS

D377,635 S *	1/1997	Numata	D12/595
D402,240 S *	12/1998	Hubbell, Jr.	D12/594
D402,943 S *	12/1998	Albert	D12/588
D405,034 S *	2/1999	Takada	D12/590
D458,582 S *	6/2002	Rodicq	D12/586
D464,314 S *	10/2002	Godin	D12/596
D481,670 S *	11/2003	Harden, Jr.	D12/595
D554,053 S *	10/2007	Feider	D12/588
D555,081 S *	11/2007	Feider	D12/588

D609,170 S *	2/2010	Feider	D12/588
D644,598 S *	9/2011	Yokomakura	D12/586
D674,740 S *	1/2013	Mathonet	D12/588
D674,741 S *	1/2013	Mathonet	D12/588
D675,560 S *	2/2013	Kato	D12/590
D729,154 S *	5/2015	Kwak	D12/588
D755,116 S *	5/2016	Wang	D12/588
D758,293 S *	6/2016	Kitajima	D12/588
D815,583 S *	4/2018	Iwamura	D12/511

* cited by examiner

Primary Examiner — Robert M. Spear

(74) *Attorney, Agent, or Firm* — Hamre, Schumann, Mueller & Larson, P.C.

(57) **CLAIM**

The ornamental design for a tire tread, as shown and described.

DESCRIPTION

FIG. 1 is a perspective view of a tire tread showing my new design, it being understood that the pattern is repeated uniformly throughout the circumference of the tread;

FIG. 2 is a front elevational view thereof; a top plan view thereof is identical to the front elevational view; a rear elevational view thereof is identical to the front elevational view; and a bottom plan view thereof is identical to the front elevational view;

FIG. 3 is a right side view thereof; a left side view thereof is a mirror image of the right side view; and,

FIG. 4 is an enlarged fragmentary view from upper 4-4 to lower 4-4 in FIG. 2.

The broken lines illustrate environmental subject matter only and form no part of the claimed design. The stippling in the drawings depicts recessed portions of the claimed design.

1 Claim, 4 Drawing Sheets

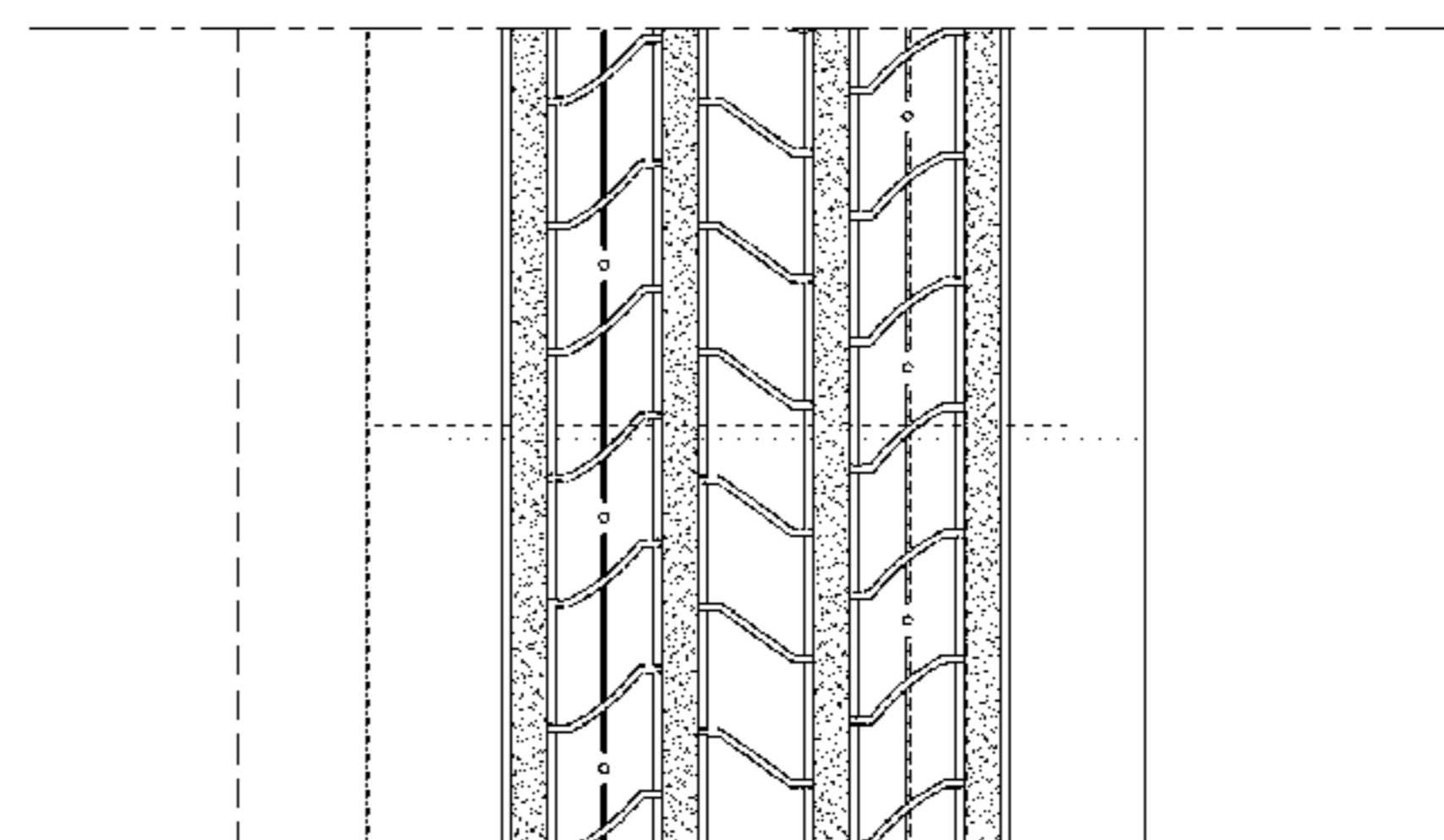
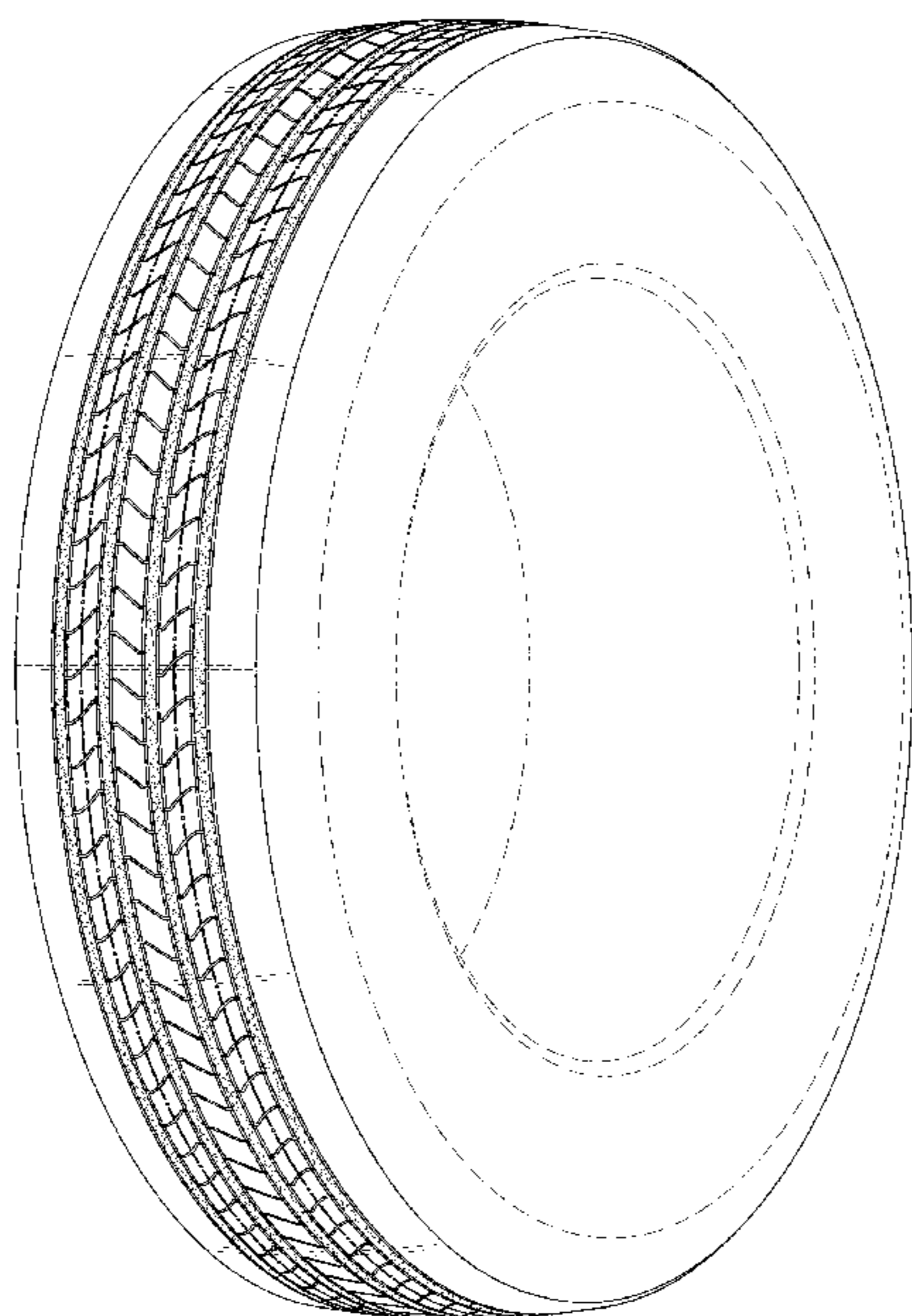


Fig. 1

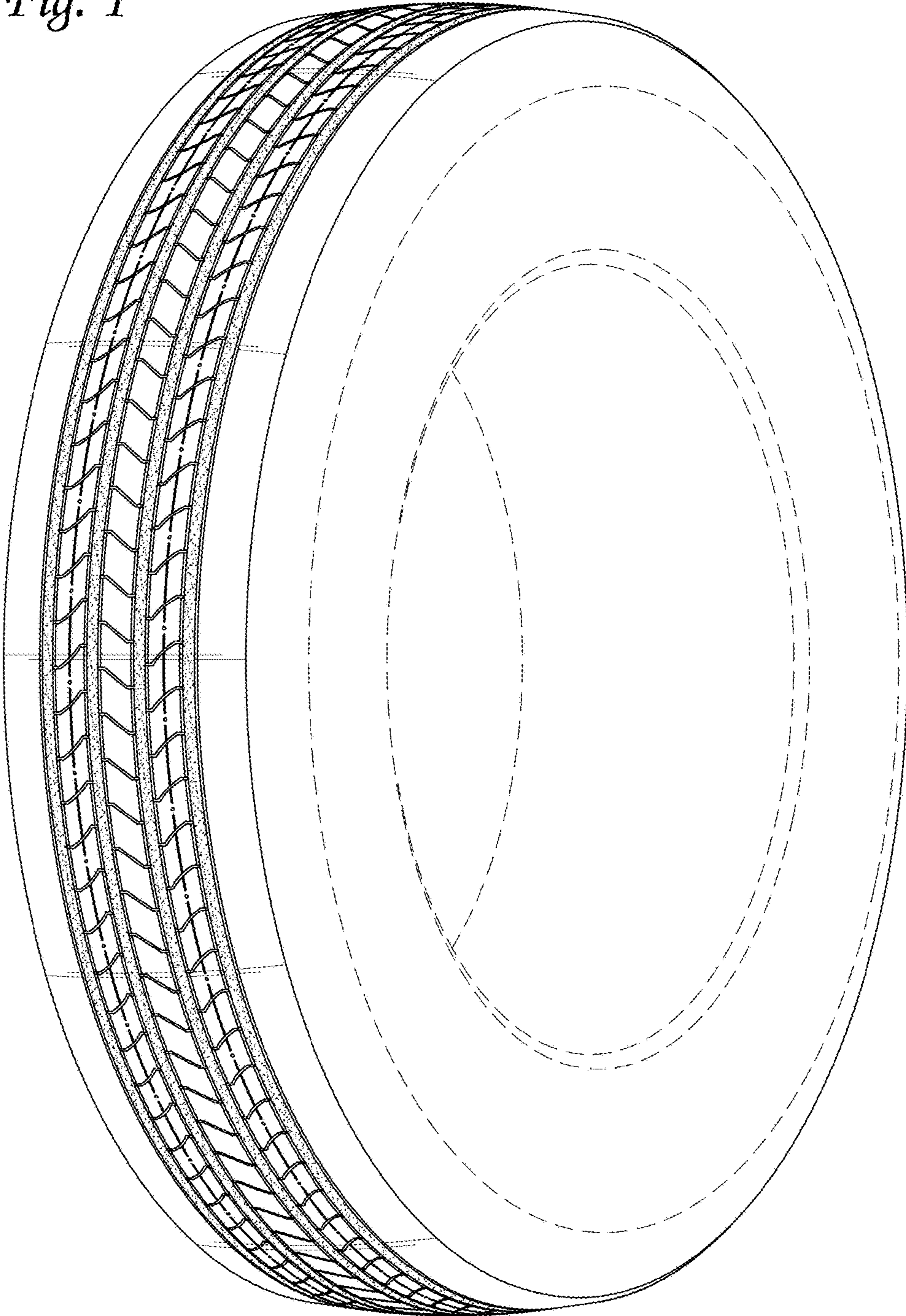


Fig. 2

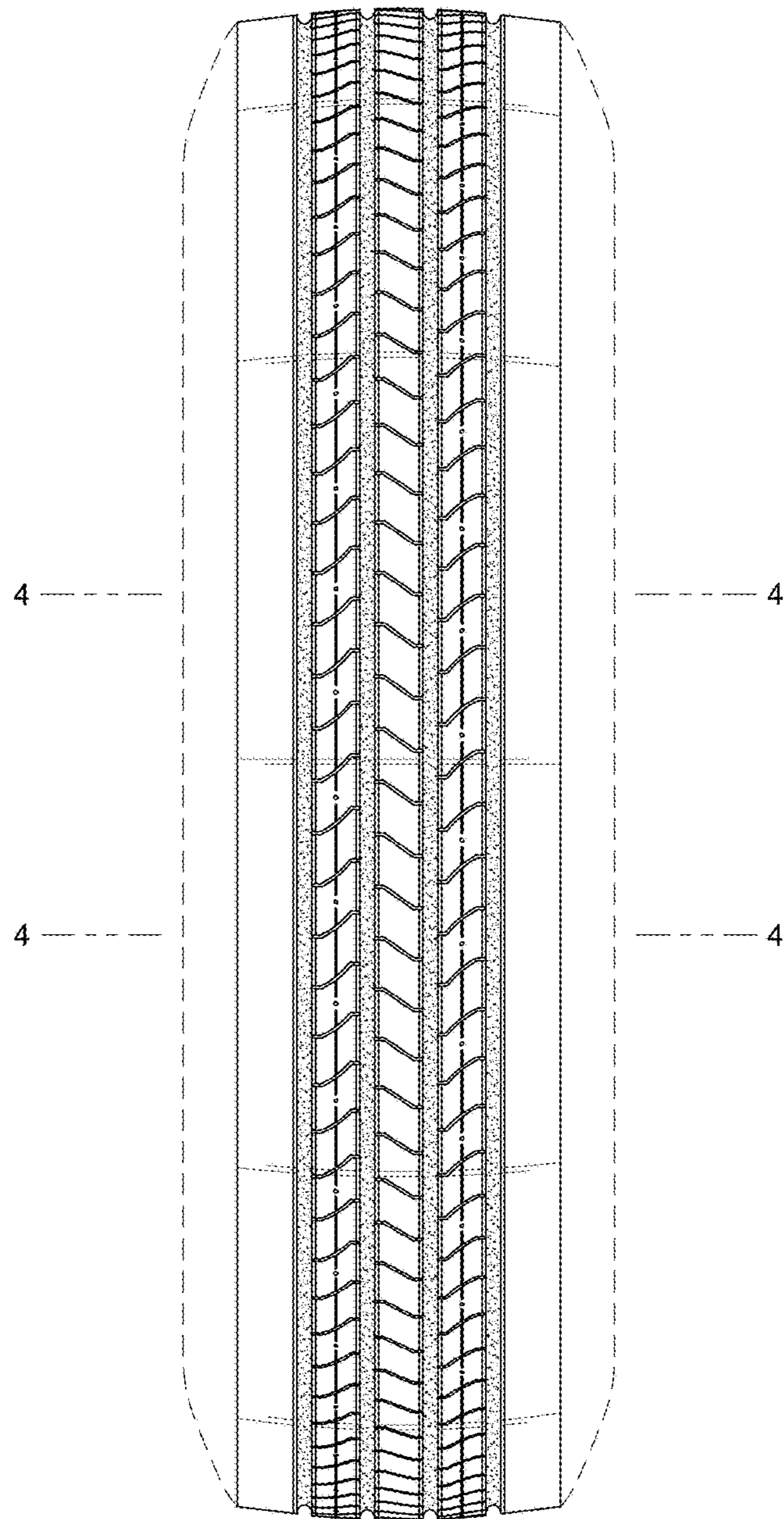


Fig. 3

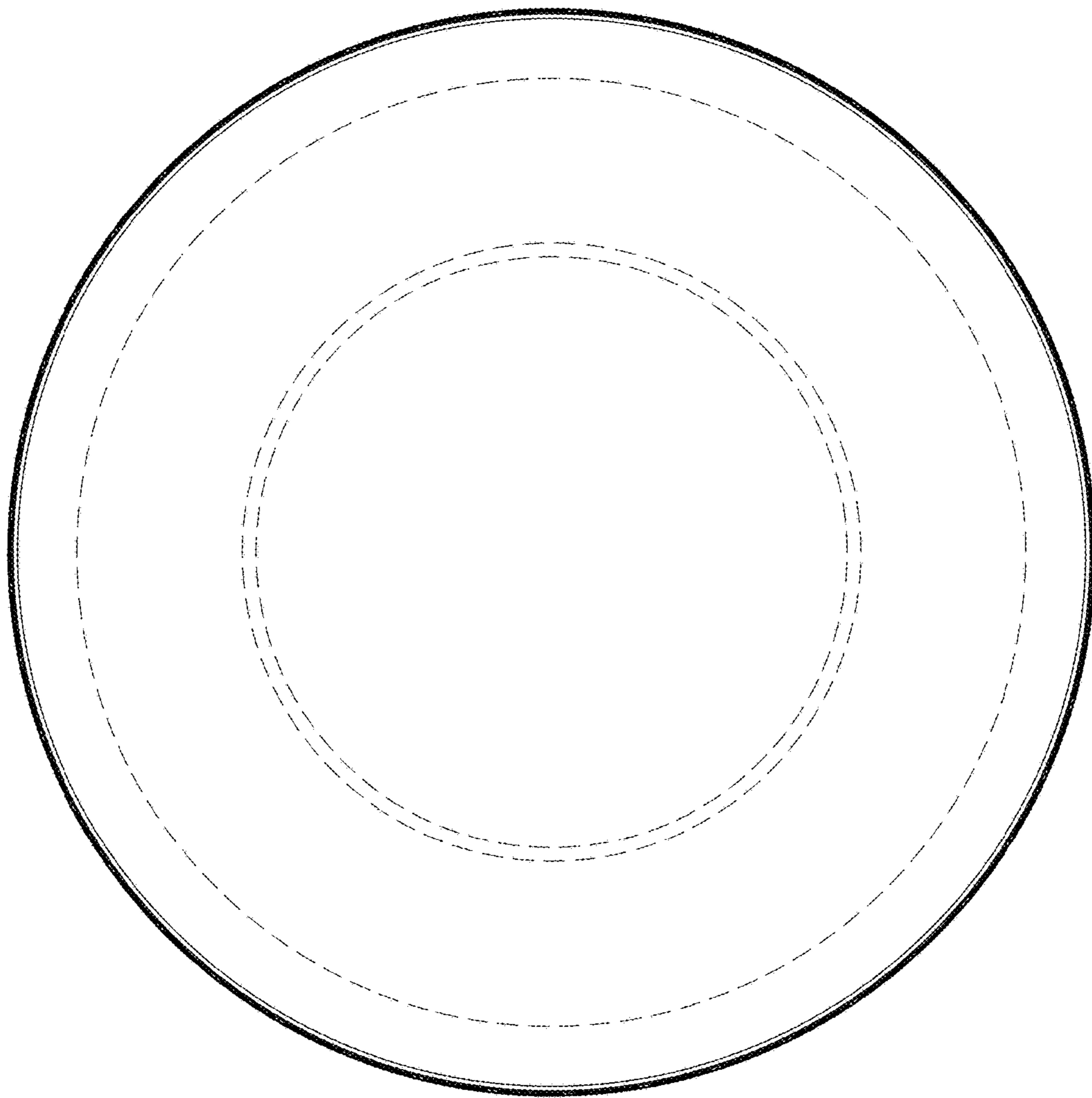


Fig. 4

