



US00D835028S

(12) **United States Design Patent** (10) **Patent No.:** **US D835,028 S**  
**Ahn et al.** (45) **Date of Patent:** **\*\* Dec. 4, 2018**

- (54) **ROOF SENSOR HOUSING**
- (71) Applicant: **Waymo LLC**, Mountain View, CA (US)
- (72) Inventors: **YooJung Ahn**, Mountain View, CA (US); **Peter Avram**, Sunnyvale, CA (US); **Joshua Newby**, San Francisco, CA (US); **Thomas Southworth**, Royal Oak, MI (US)
- (73) Assignee: **Waymo LLC**, Mountain View, CA (US)
- (\*\*) Term: **15 Years**
- (21) Appl. No.: **29/602,101**
- (22) Filed: **Apr. 28, 2017**
- (51) **LOC (11) Cl.** ..... **12-16**
- (52) **U.S. Cl.**  
USPC ..... **D12/413**
- (58) **Field of Classification Search**  
USPC ..... D12/184, 190, 412, 406, 414, 169, 167, D12/400, 413  
CPC ... B60R 11/04; B60R 21/0134; G01S 17/936; B62D 25/06; B60S 1/185; B60Q 9/007; B60Q 9/56  
See application file for complete search history.

(56) **References Cited**

U.S. PATENT DOCUMENTS

D328,436 S *	8/1992	Fuerst	.....	D10/46
5,945,907 A *	8/1999	Yaron	.....	B60Q 9/007 340/435
D478,518 S	8/2003	Porter		
D525,888 S	8/2006	Porter		
7,517,099 B2	4/2009	Hannah		
D717,720 S *	11/2014	Marino	.....	D12/413
D739,336 S *	9/2015	Berrey	.....	D12/413
9,725,060 B1 *	8/2017	Daniel	.....	B62D 21/15
9,862,311 B2	1/2018	Kiriyama et al.		

D822,580 S *	7/2018	Eriksson	.....	D12/413
2016/0011594 A1 *	1/2016	Chung	.....	G05D 1/0231 701/28
2017/0151933 A1 *	6/2017	Doorley	.....	B60S 1/56
2017/0293016 A1 *	10/2017	McCloskey	.....	G01S 7/023
2017/0300060 A1 *	10/2017	Crawley	.....	G05D 1/0248
2017/0343654 A1 *	11/2017	Valois	.....	G01S 7/497
2018/0011173 A1 *	1/2018	Newman	.....	G01S 7/4816
2018/0015886 A1 *	1/2018	Frank	.....	B60R 11/04
2018/0017680 A1 *	1/2018	Pennecot	.....	G01S 17/936

(Continued)

*Primary Examiner* — Karen S Acker  
*Assistant Examiner* — Jerry Shiuan-Hua Hsu  
 (74) *Attorney, Agent, or Firm* — Lerner, David, Littenberg, Krumholz & Mentlik, LLP

(57) **CLAIM**

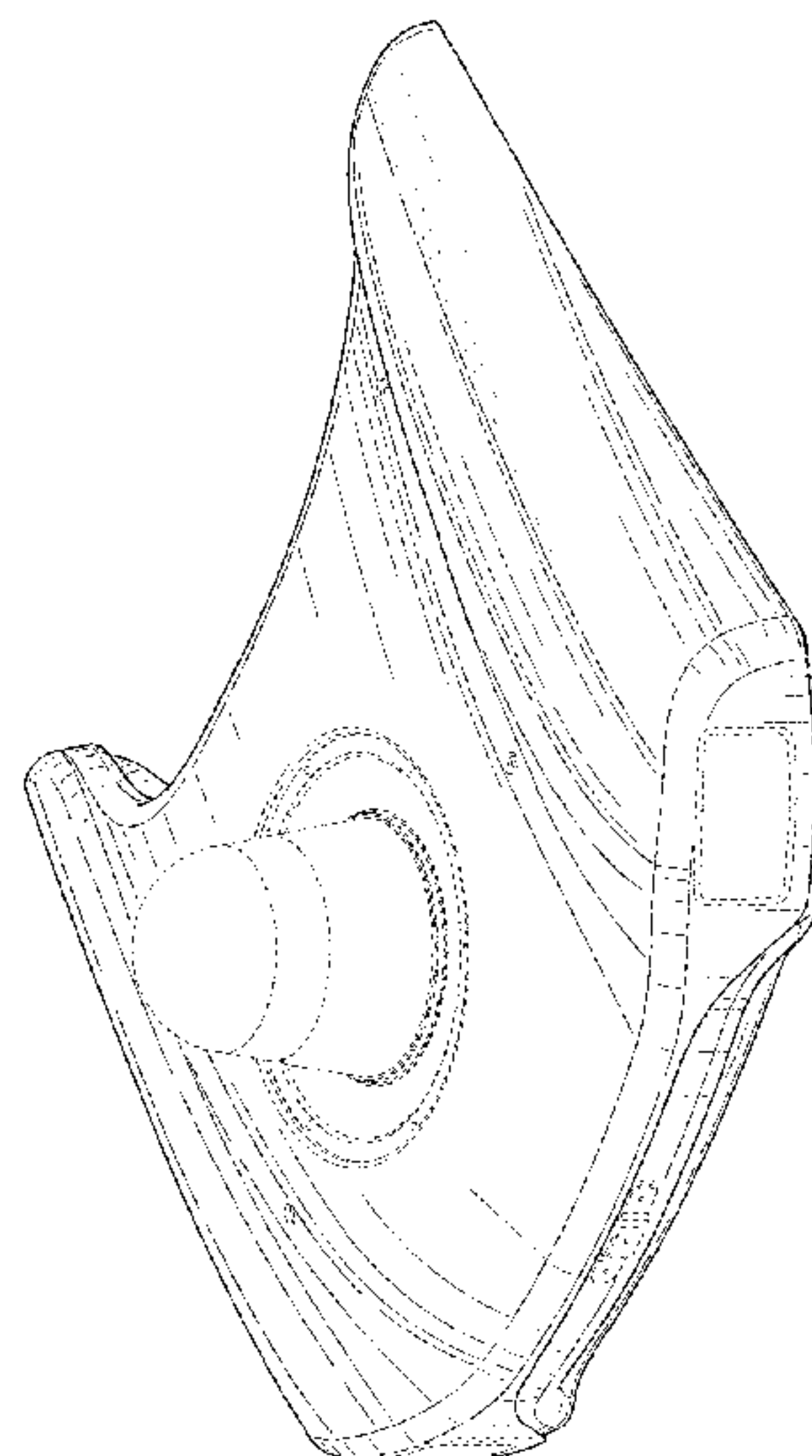
The ornamental design for a roof sensor housing, as shown and described.

**DESCRIPTION**

The present application is related to copending application Ser. No. 29/602,117, entitled Fender Sensor Housing, to application Ser. No. 29/602,110, entitled Rear Sensor Housing, and to application Ser. No. 29/602,112, entitled Front and Rear Sensor Housing, each of which is filed concurrently herewith, the entire disclosures of which are incorporated by reference herein.

FIG. 1 is a front perspective view of a roof sensor housing according to our design;  
 FIG. 2 is a front elevation view thereof;  
 FIG. 3 is a back elevation view thereof;  
 FIG. 4 is a right side elevation view thereof;  
 FIG. 5 is a left side elevation view thereof;  
 FIG. 6 is a top plan view thereof; and,  
 FIG. 7 is a bottom plan view thereof.  
 The broken lines and all areas within the broken lines that do not have surface shading, illustrate portions of the roof sensor housing that form no part of the claimed design.

**1 Claim, 5 Drawing Sheets**



(56)

**References Cited**

U.S. PATENT DOCUMENTS

2018/0037268 A1\* 2/2018 Moore ..... B62D 25/06  
2018/0086280 A1\* 3/2018 Nguyen ..... B60R 11/00

\* cited by examiner

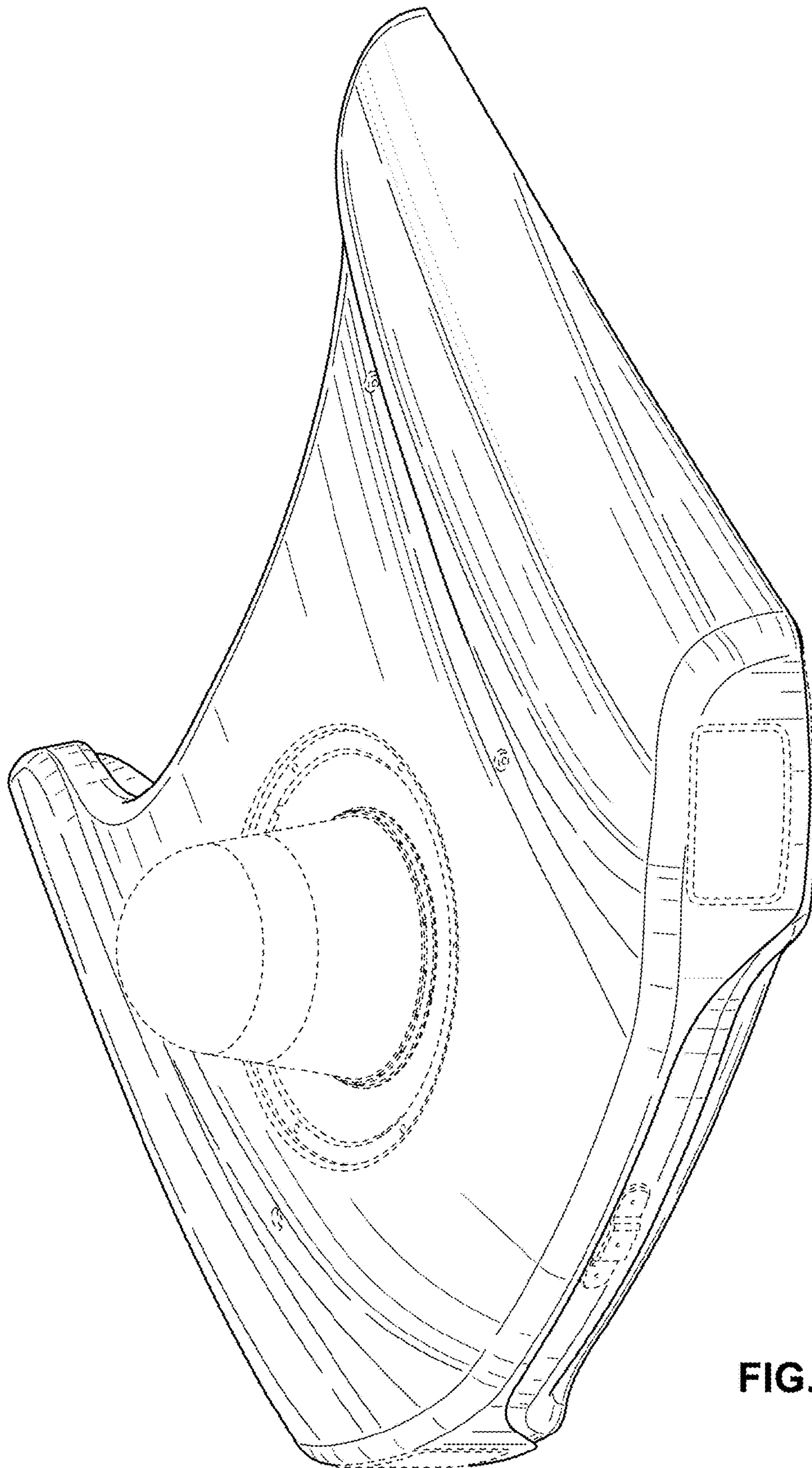


FIG. 1

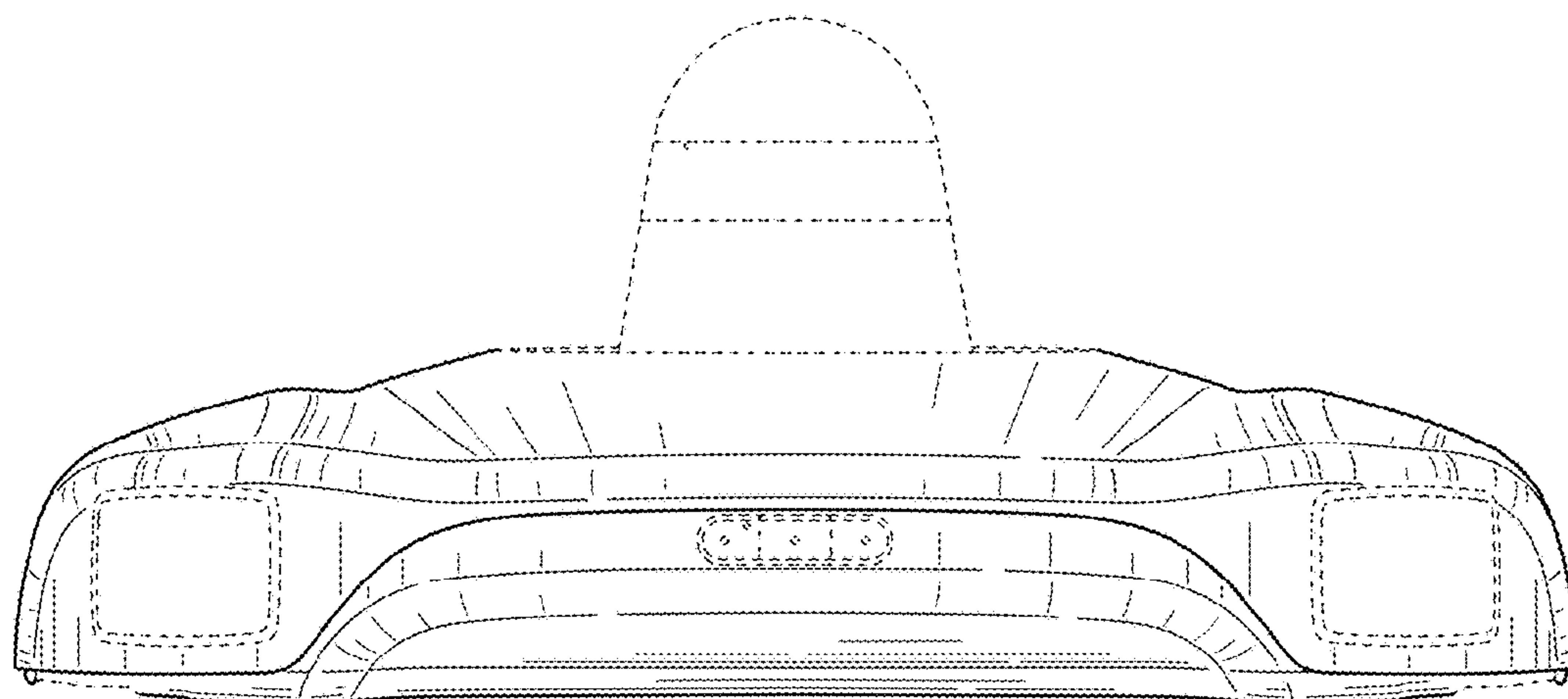


FIG. 2

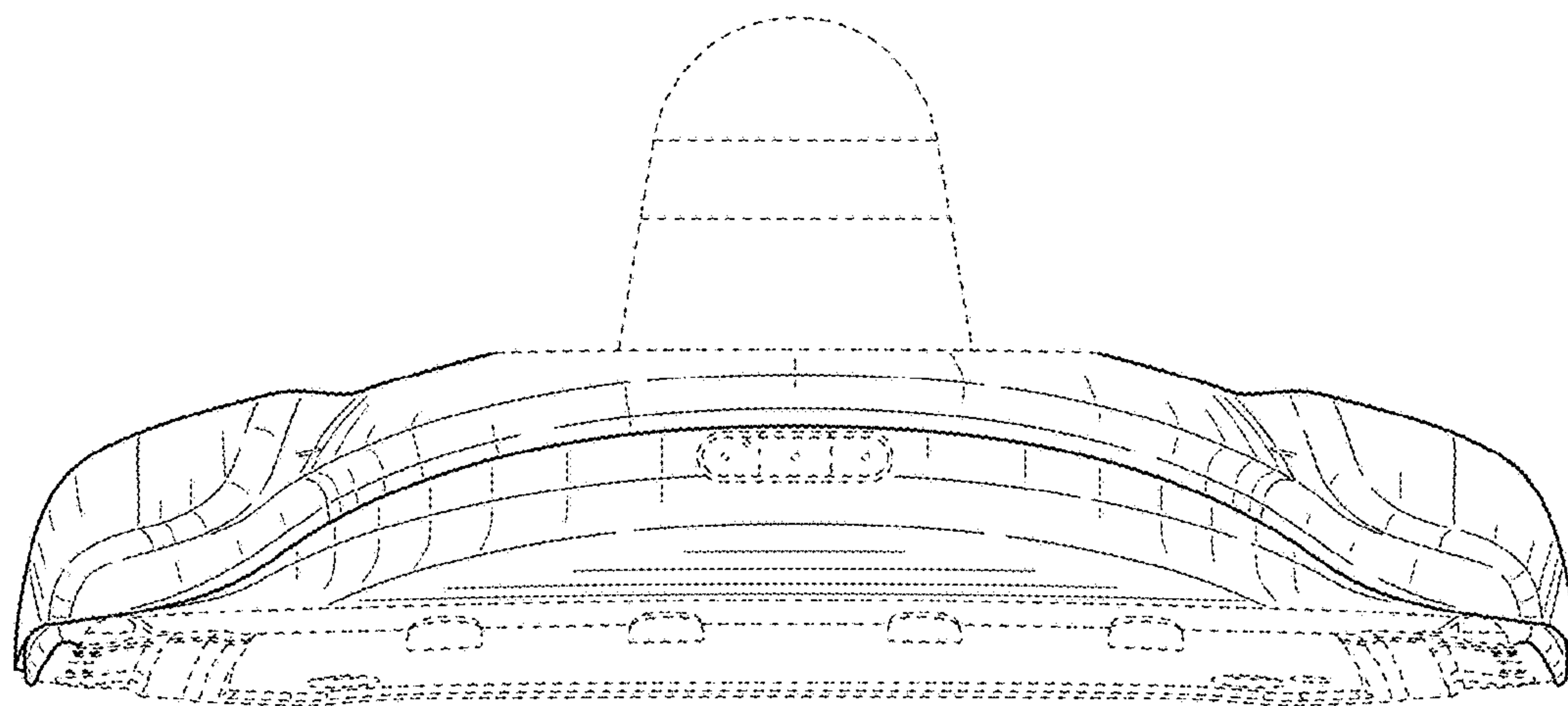


FIG. 3



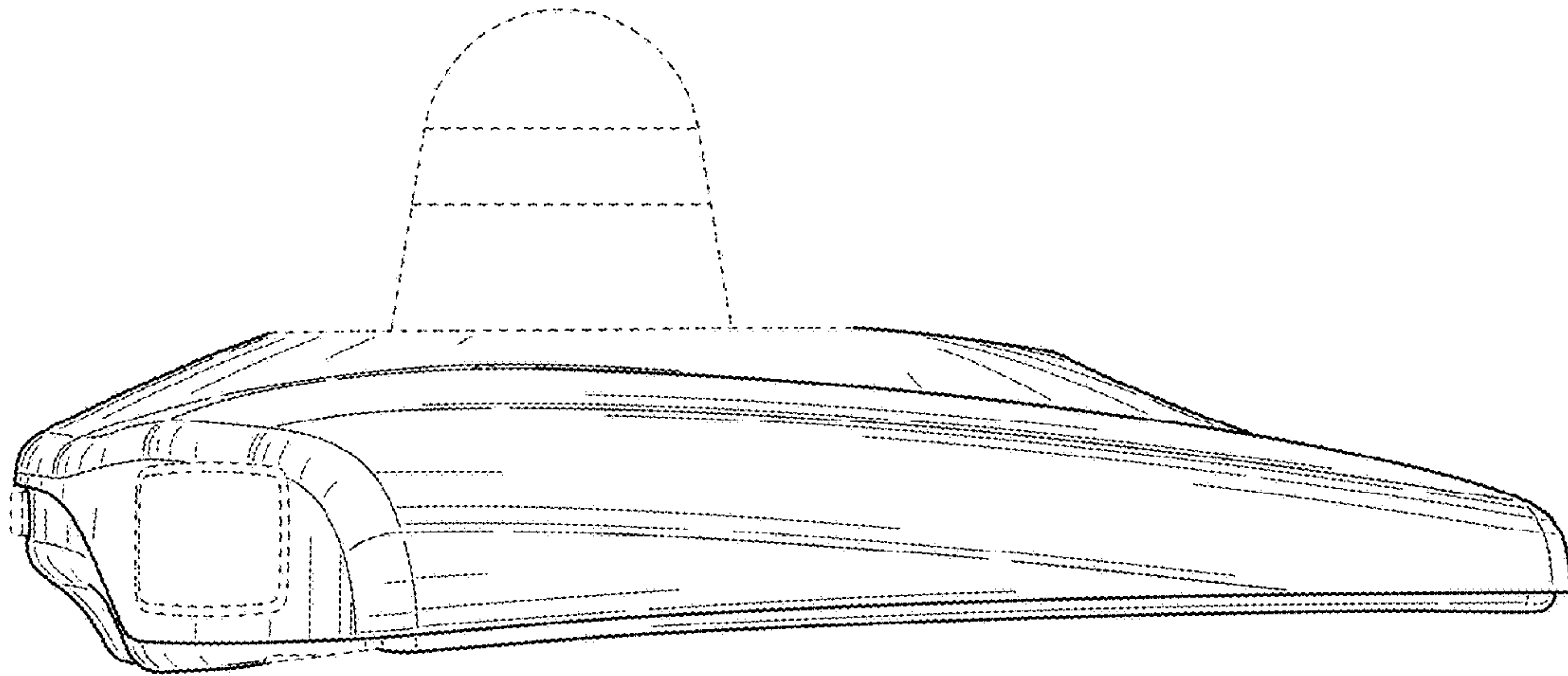


FIG. 4

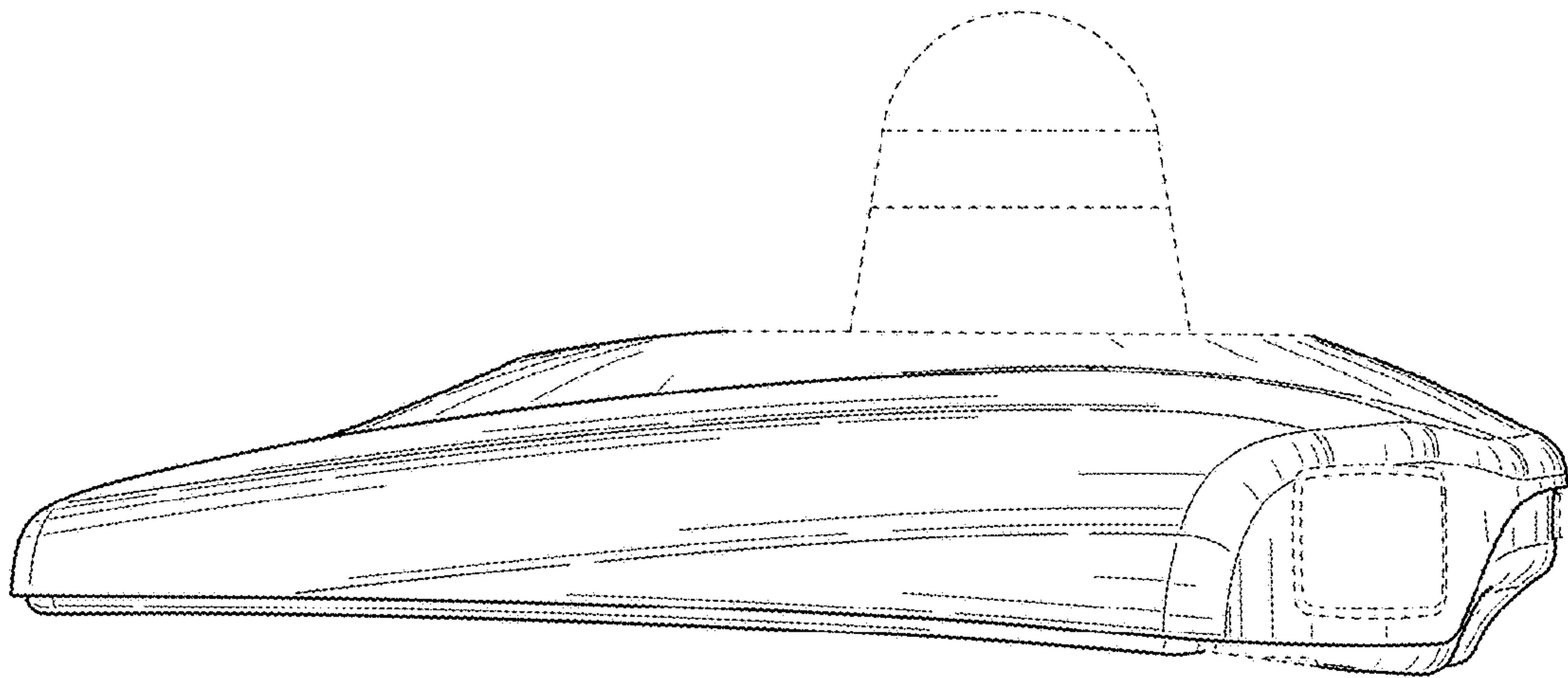


FIG. 5

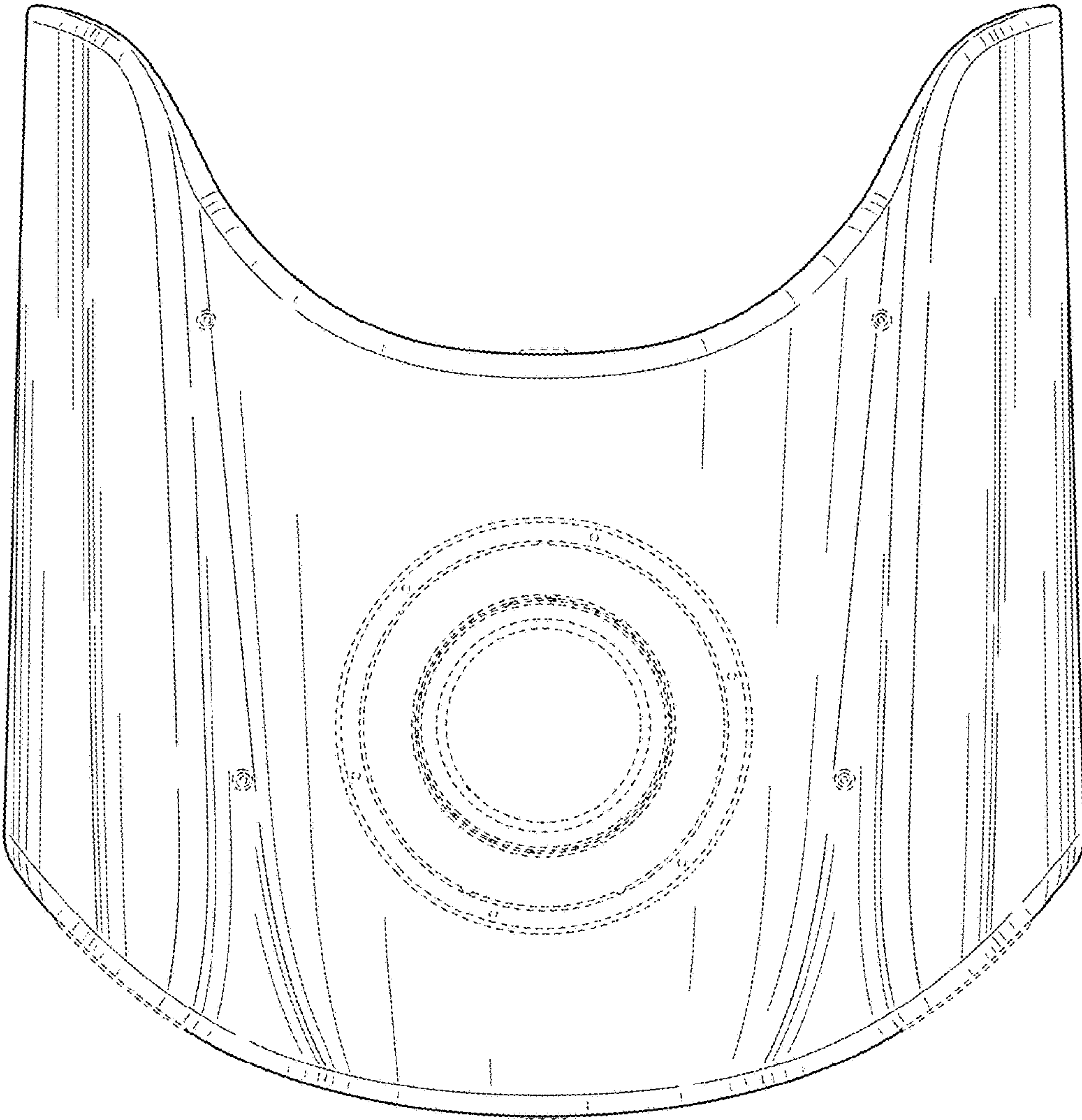


FIG. 6

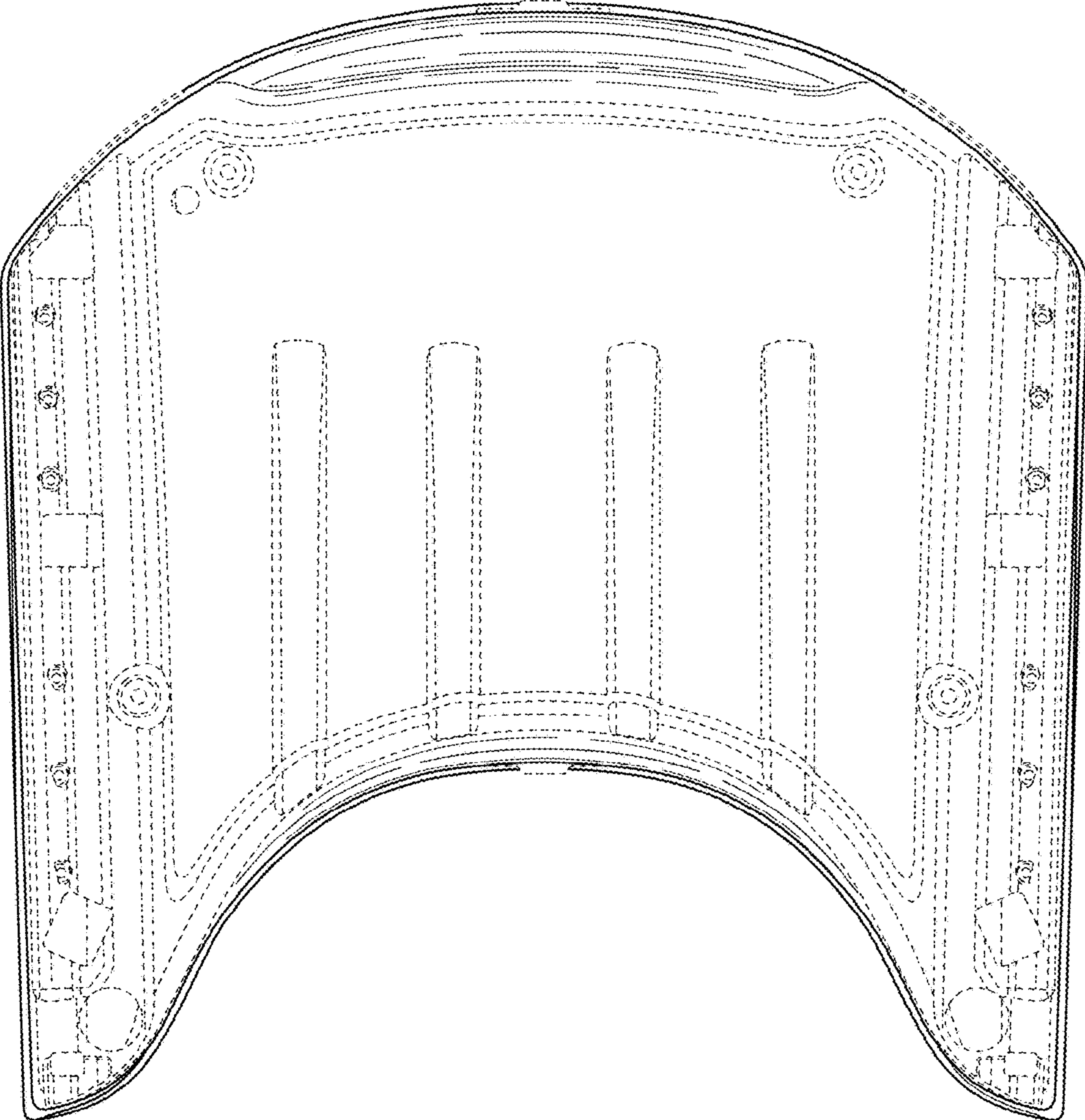


FIG. 7