



US00D835025S

(12) **United States Design Patent**
Metros et al.

(10) **Patent No.:** **US D835,025 S**

(45) **Date of Patent:** **** Dec. 4, 2018**

(54) **VEHICLE WHEEL COVER**

(71) Applicant: **Ford Global Technologies, LLC,**
Dearborn, MI (US)

(72) Inventors: **Craig S. Metros,** Bloomfield, MI (US);
George Bucher, Dearborn, MI (US);
Christopher G. Walter, Walled Lake,
MI (US); **Andrew Bazinski,**
Amherstburg (CA)

(73) Assignee: **Ford Global Technologies, LLC,**
Dearborn, MI (US)

(**) Term: **15 Years**

(21) Appl. No.: **29/621,086**

(22) Filed: **Oct. 4, 2017**

(51) **LOC (11) Cl.** **12-16**

(52) **U.S. Cl.**
USPC **D12/209; D12/204**

(58) **Field of Classification Search**
USPC **D12/204-213**

CPC **B60B 7/00; B60B 7/02; B60B 7/04; B60B 7/01; B60B 7/06; B60B 3/02; B60B 3/04; B60B 3/06; B60B 3/10; B60B 1/00; B60B 1/08; B60B 1/10; B60B 1/12**

See application file for complete search history.

(56) **References Cited**

U.S. PATENT DOCUMENTS

D681,533	S	*	5/2013	Campbell	D12/209
D685,710	S	*	7/2013	Hanaoka	D12/204
D688,180	S	*	8/2013	Gotschke	D12/204
D688,184	S	*	8/2013	Campbell	D12/204
D700,122	S	*	2/2014	Campbell	D12/204
D761,178	S	*	7/2016	Johnson	D12/209
D761,181	S	*	7/2016	Bucher	D12/209
D783,489	S	*	4/2017	Bucher	D12/209
D783,490	S	*	4/2017	Bucher	D12/209
D820,184	S	*	6/2018	Bucher	D12/209

* cited by examiner

Primary Examiner — Stacia A Cadmus

(74) *Attorney, Agent, or Firm* — James Dottavio

(57) **CLAIM**

The ornamental design for a vehicle wheel cover, as shown.

DESCRIPTION

FIG. 1 is a top perspective view of a vehicle wheel cover showing our new design; and, FIG. 2 is a front elevational view thereof.

1 Claim, 2 Drawing Sheets

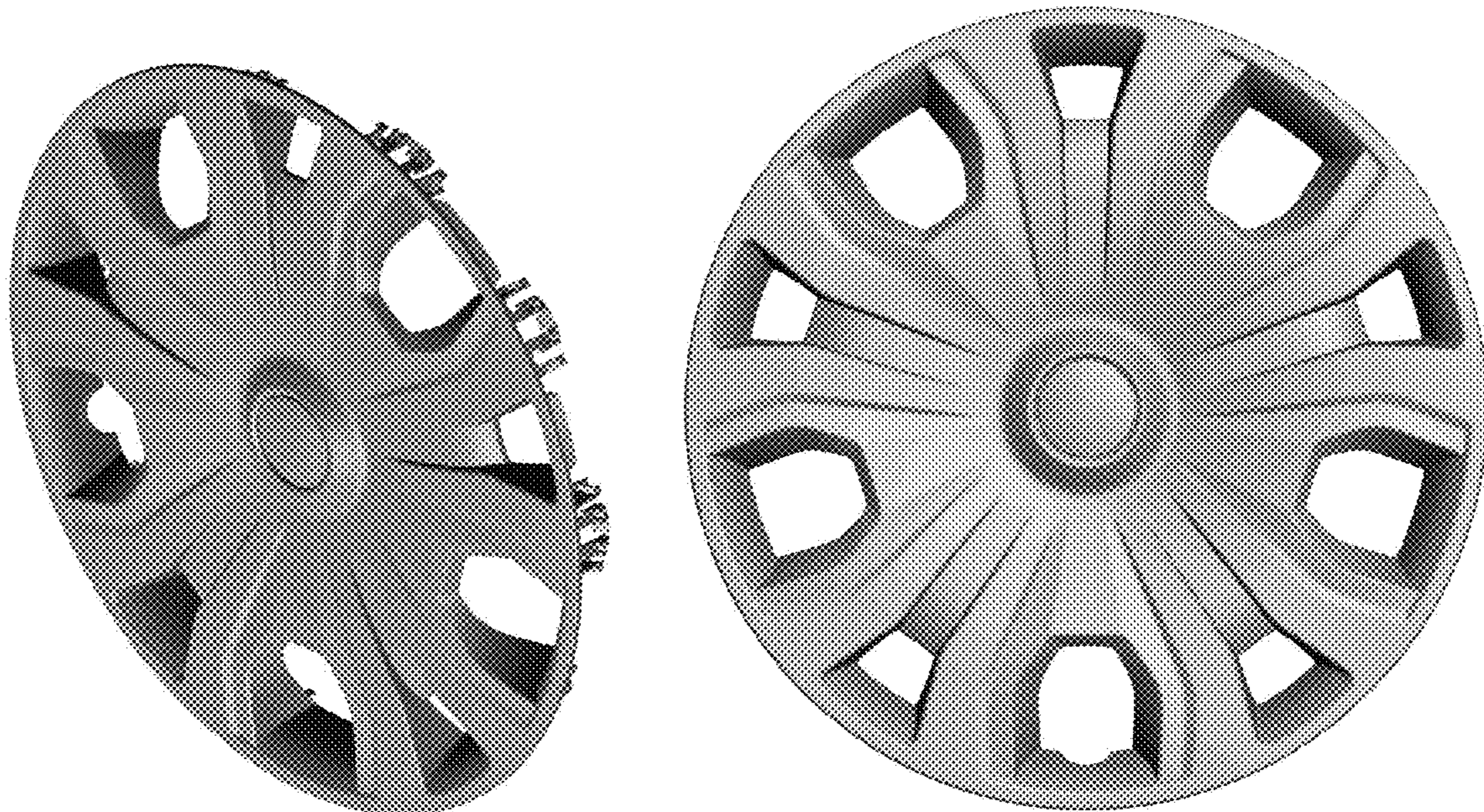




Figure 1



Figure 2