



US00D835024S

(12) **United States Design Patent**
Han

(10) **Patent No.:** **US D835,024 S**

(45) **Date of Patent:** **** Dec. 4, 2018**

(54) **AUTOMOTIVE WHEEL**

(71) Applicant: **Donnie Han**, Corona, CA (US)

(72) Inventor: **Donnie Han**, Corona, CA (US)

(**) Term: **15 Years**

(21) Appl. No.: **29/618,561**

(22) Filed: **Sep. 21, 2017**

(51) **LOC (11) Cl.** **12-16**

(52) **U.S. Cl.**
USPC **D12/209**

(58) **Field of Classification Search**
USPC D12/204-213
CPC B60B 7/00; B60B 7/02; B60B 7/04; B60B 7/01; B60B 7/06; B60B 3/04; B60B 1/00; B60B 3/10; B60B 1/10; B60B 1/08; B60B 3/06; B60B 1/12; B60B 3/02
See application file for complete search history.

(56) **References Cited**

U.S. PATENT DOCUMENTS

D617,710 S	*	6/2010	Ectors	D12/209
D670,223 S	*	11/2012	Chung	D12/209
D711,304 S	*	8/2014	Chung	D12/209
D711,807 S	*	8/2014	Hale	D12/209
D747,253 S	*	1/2016	Chung	D12/211

D761,178 S	*	7/2016	Johnson	D12/209
D781,199 S	*	3/2017	Dionisopoulos	D12/209
D791,036 S	*	7/2017	Owens	D12/209
D792,308 S	*	7/2017	Guo	D12/209
D800,044 S	*	10/2017	Ghobrial	D12/209
D812,540 S	*	3/2018	Chung	D12/211
D817,246 S	*	5/2018	Andoh	D12/209
D824,312 S	*	7/2018	Simm	D12/209

* cited by examiner

Primary Examiner — Stacia A Cadmus

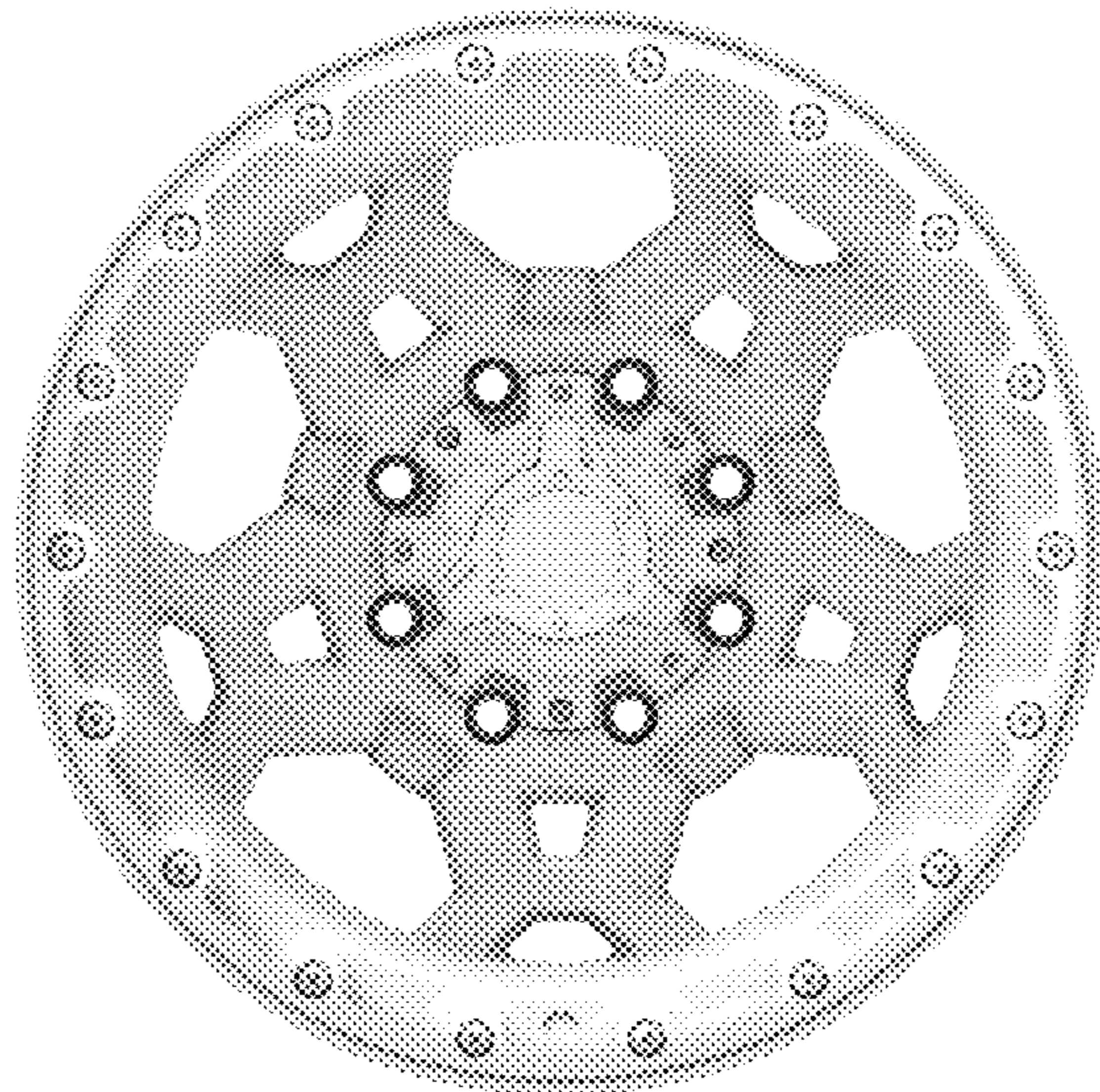
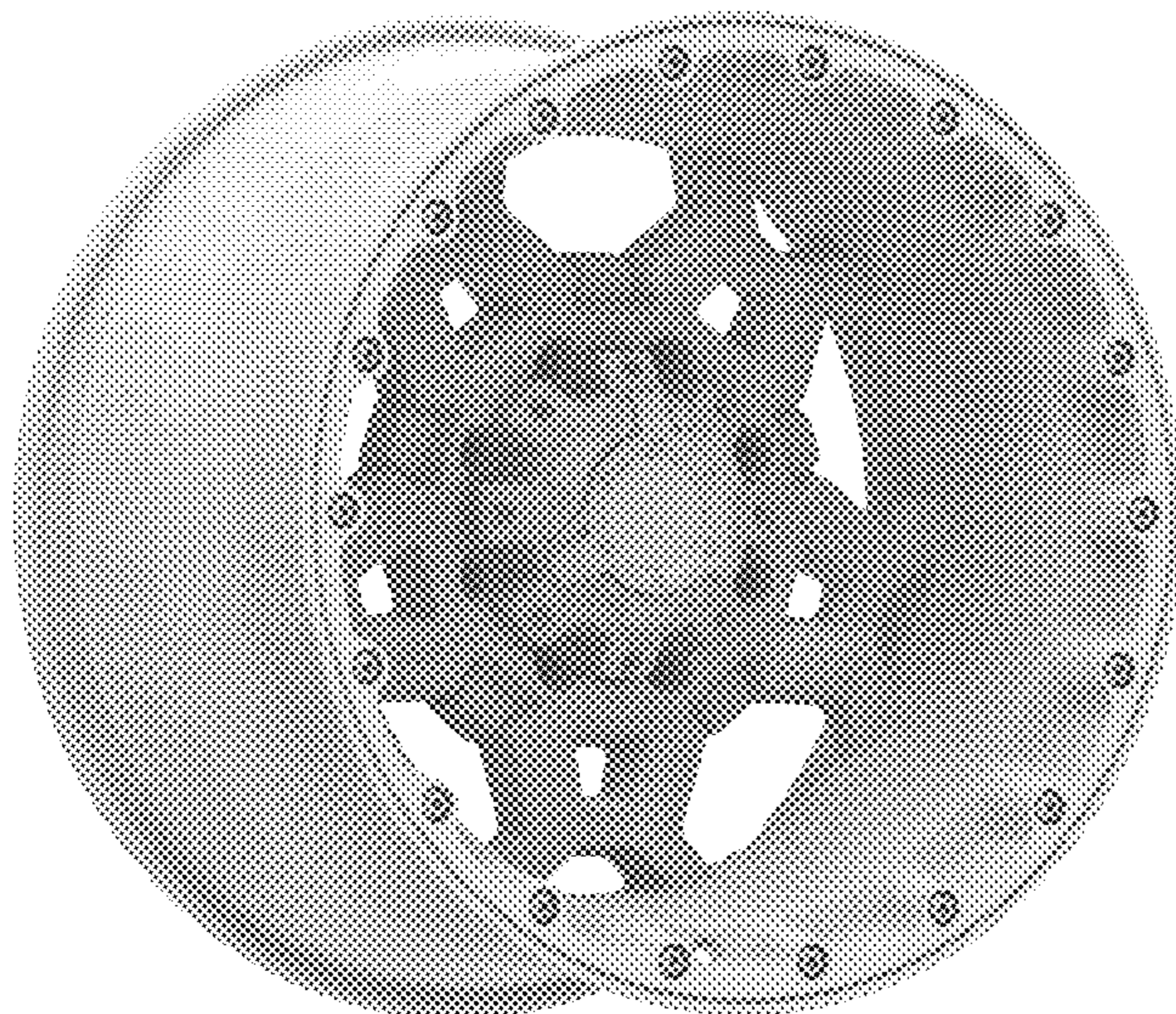
(57) **CLAIM**

The ornamental design for an automotive wheel, as shown and described.

DESCRIPTION

FIG. 1 is a perspective view of an automotive wheel, showing my new design;
FIG. 2 is a front view thereof;
FIG. 3 is a perspective view of a second embodiment of an automotive wheel, showing my new design;
FIG. 4 is a front view of FIG. 3;
FIG. 5 is a perspective view of a third embodiment of an automotive wheel, showing my new design;
FIG. 6 is a front view of FIG. 5;
FIG. 7 is a perspective view of a fourth embodiment of an automotive wheel, showing my new design; and,
FIG. 8 is a front view of FIG. 7.

1 Claim, 8 Drawing Sheets



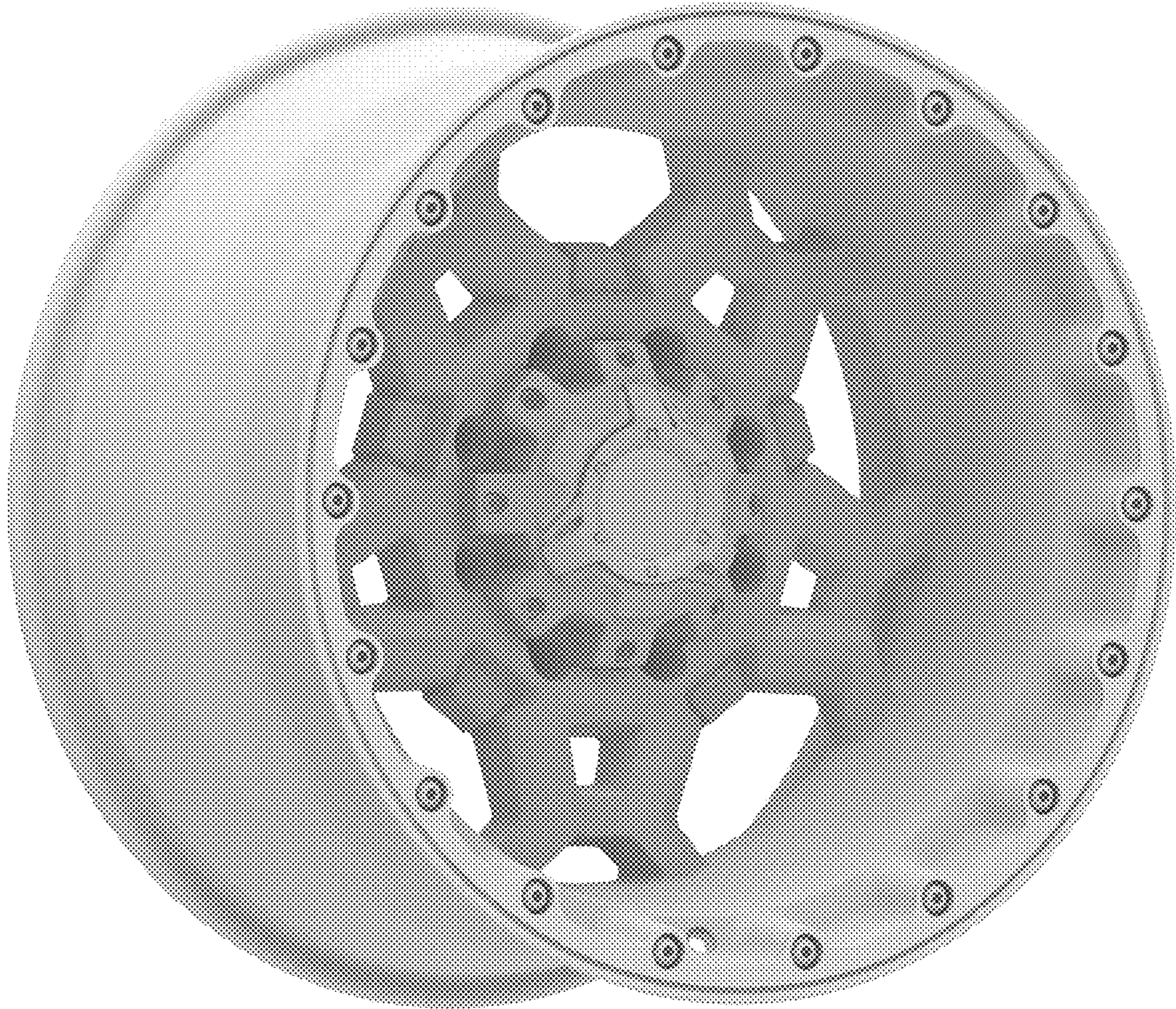


FIGURE 1

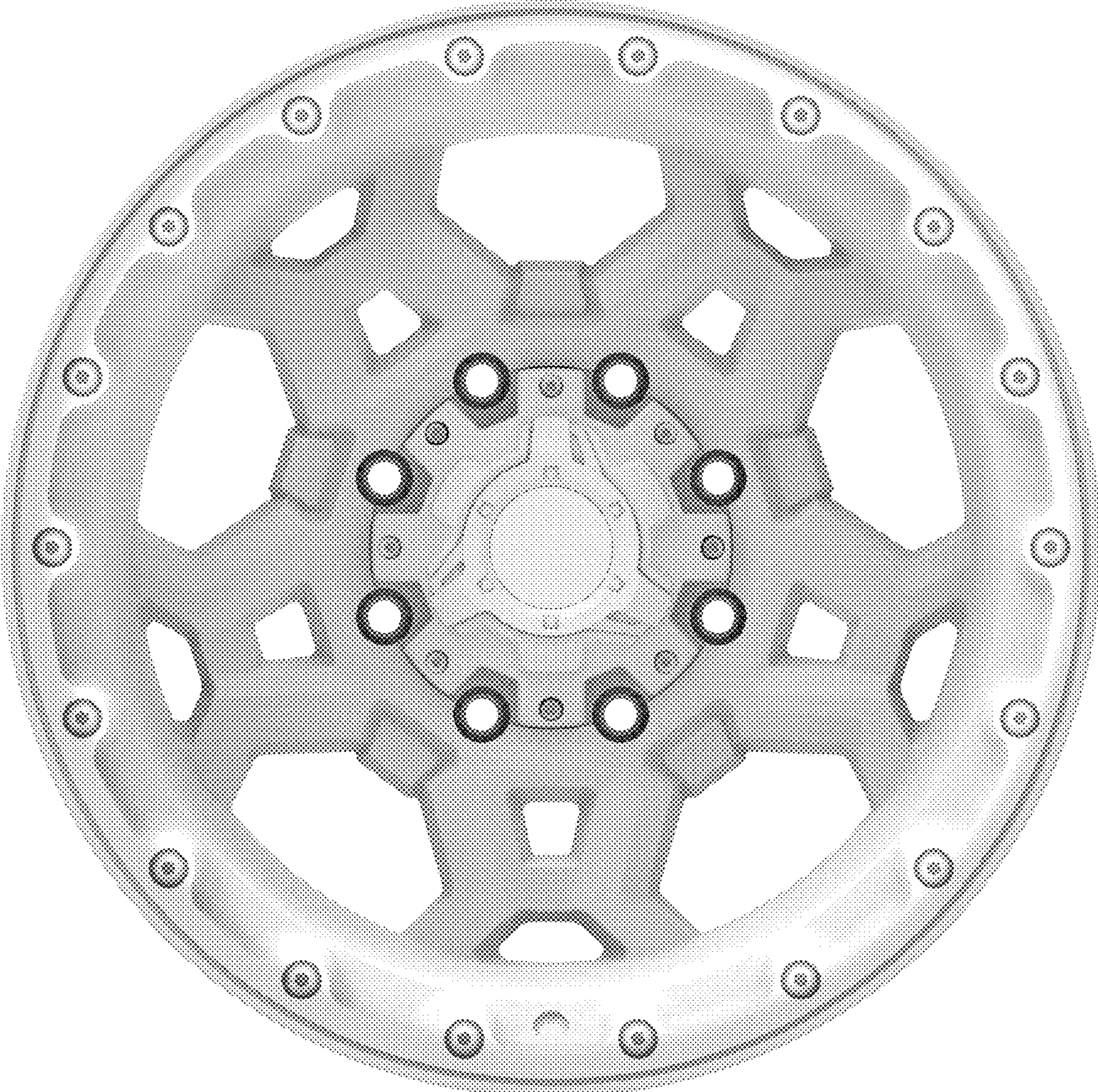


FIGURE 2

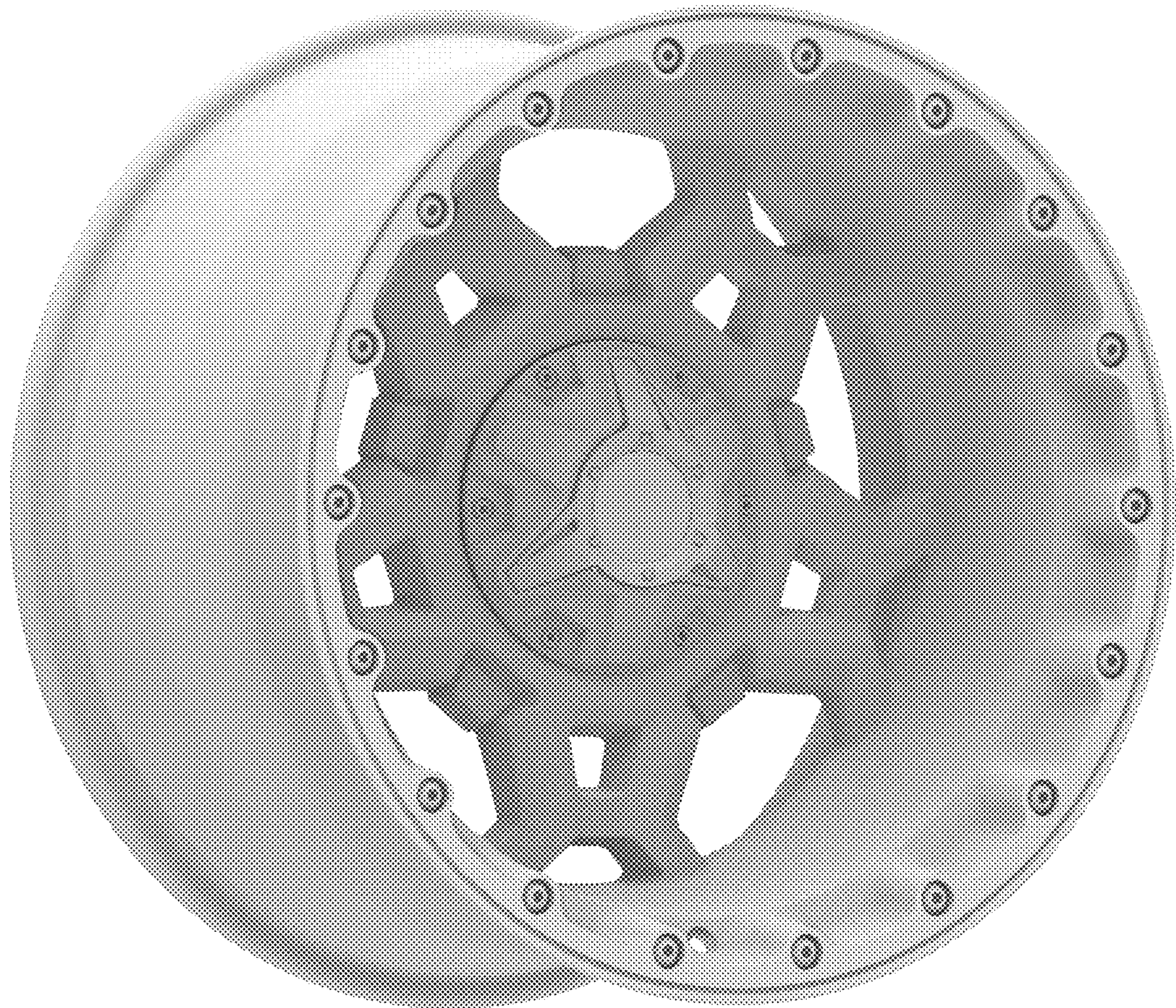


FIGURE 3



FIGURE 4

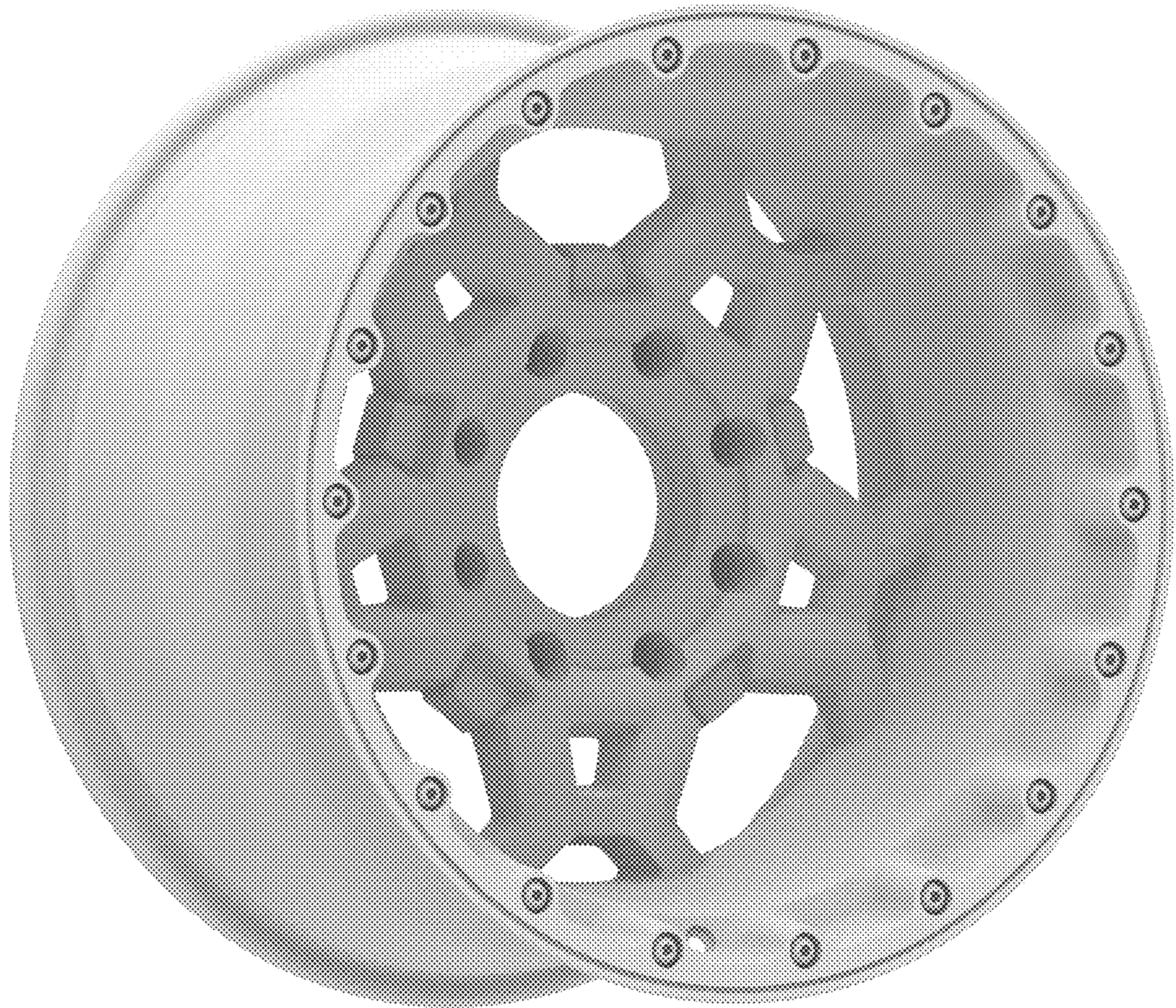


FIGURE 5



FIGURE 6

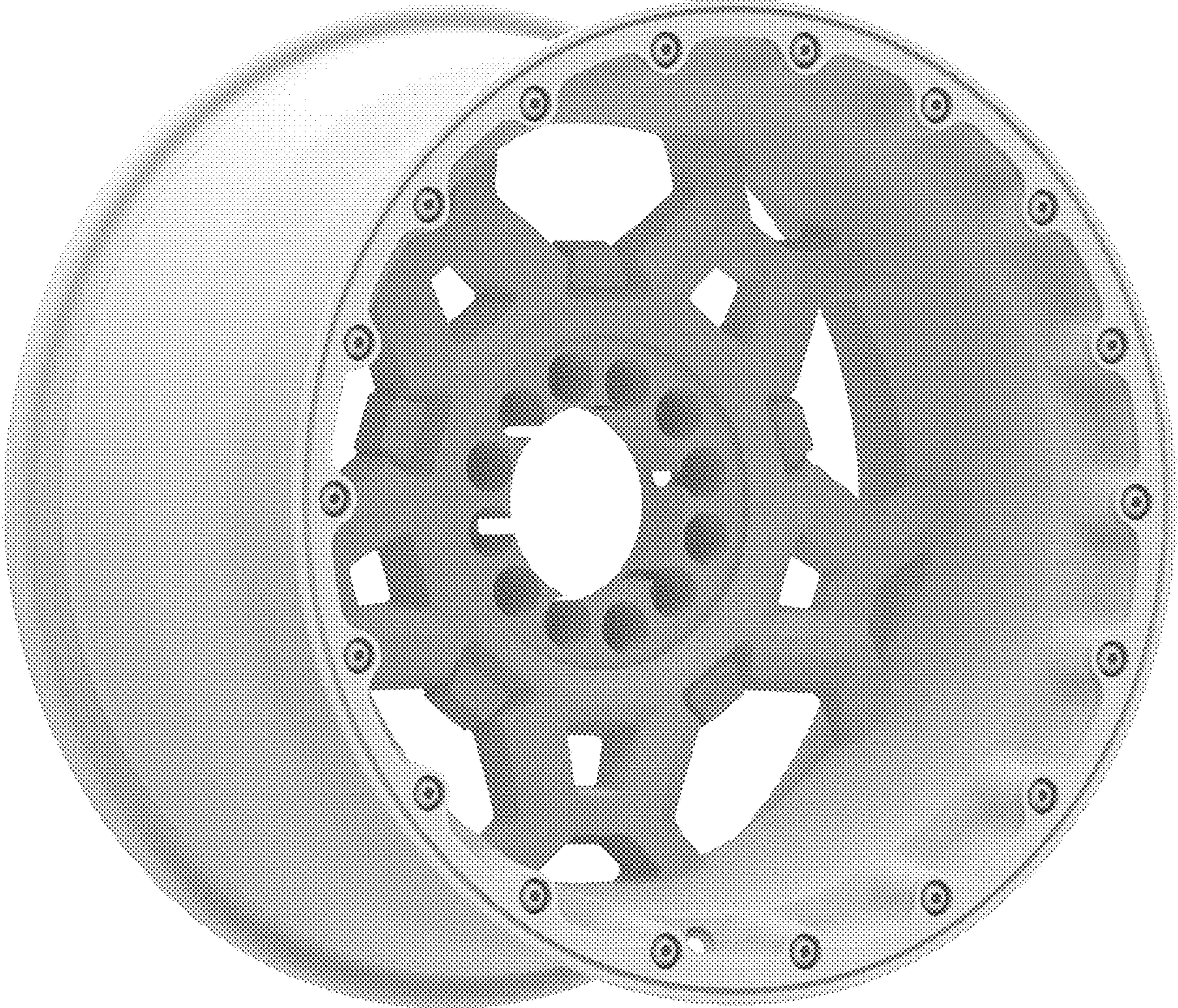


FIGURE 7

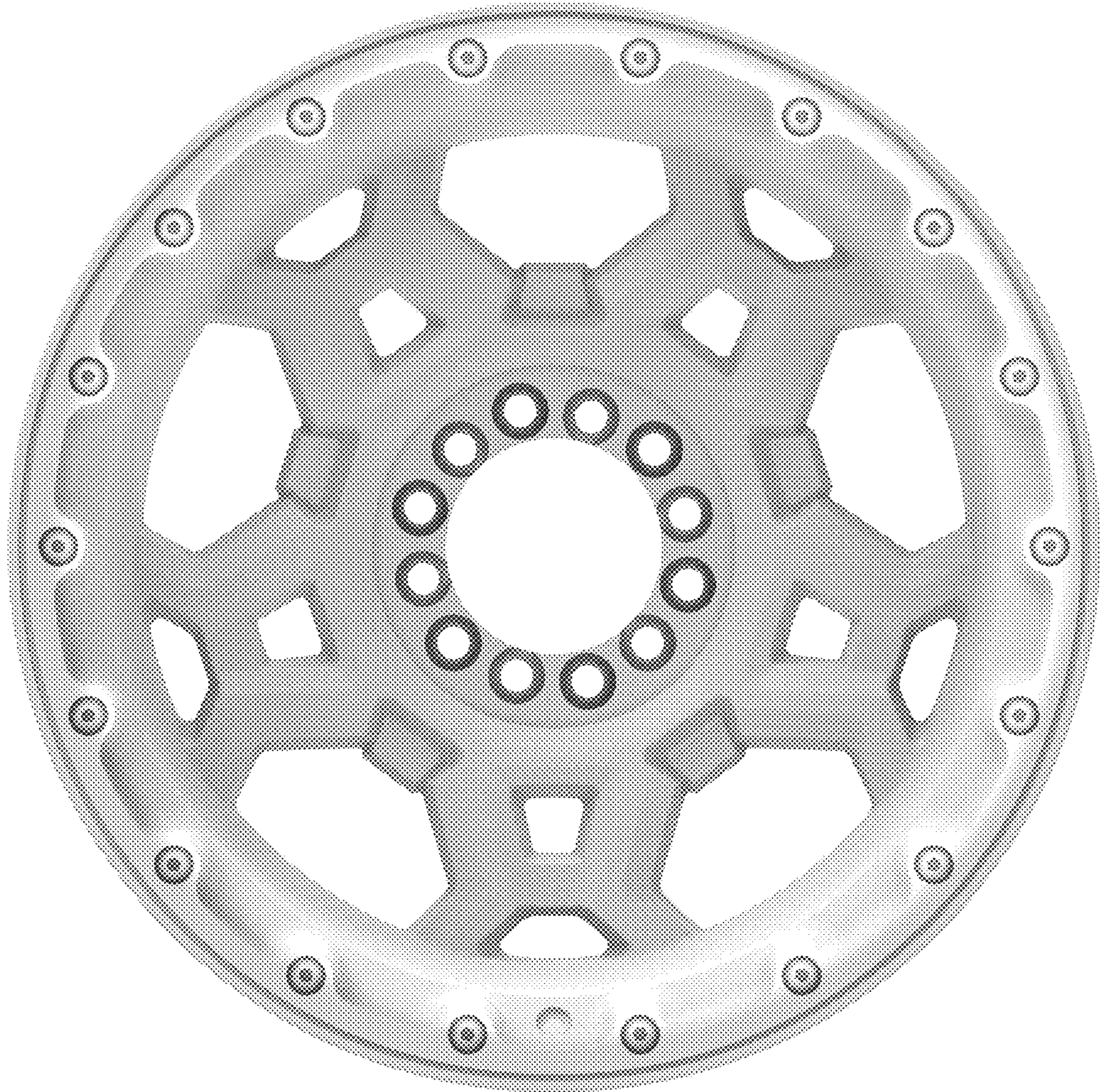


FIGURE 8