

US00D835022S

(12) **United States Design Patent** (10) **Patent No.:** **US D835,022 S**
Kong (45) **Date of Patent:** **** Dec. 4, 2018**

(54) **WHEEL**
(71) Applicant: **Wheel Pros, LLC**, Greenwood Village, CO (US)
(72) Inventor: **Yee Wan Kong**, Hong Kong (HK)
(**) Term: **15 Years**
(21) Appl. No.: **29/608,094**
(22) Filed: **Jun. 19, 2017**
(51) **LOC (11) Cl.** **12-16**
(52) **U.S. Cl.**
USPC **D12/209**
(58) **Field of Classification Search**
USPC D12/204–213; D21/533, 561, 563
CPC B60B 7/00; B60B 7/02; B60B 7/04; B60B 7/06; B60B 3/02; B60B 3/04; B60B 3/06; B60B 3/10; B60B 1/00; B60B 1/08; B60B 1/10; B60B 1/12
See application file for complete search history.

D492,925 S 7/2004 Fitzgerald
D496,317 S 9/2004 Kataoka
D513,486 S 1/2006 Rivera
D528,495 S 9/2006 Truebsbach
D538,726 S 3/2007 Wright
D538,727 S 3/2007 Wright
D542,209 S 5/2007 Pfeiffer
D550,600 S * 9/2007 Celik D12/209
D552,525 S 10/2007 Celik
D553,068 S 10/2007 Celik
D577,650 S 9/2008 Chung
D579,845 S 11/2008 Chung
D582,831 S 12/2008 Musser
D583,290 S 12/2008 Wang
D585,801 S 2/2009 Wang
D599,266 S 9/2009 Bierenbreier
D617,723 S 6/2010 Zhao
D620,873 S 8/2010 Groom
D625,235 S 10/2010 Nissl
D627,697 S 11/2010 Wang
D651,150 S 12/2011 Blewer
D651,151 S 12/2011 Blewer
D680,938 S * 4/2013 Hale, Jr. D12/210
D695,189 S * 12/2013 Zhao D12/209
D698,298 S 1/2014 Cortes
D704,617 S 5/2014 Chung
(Continued)

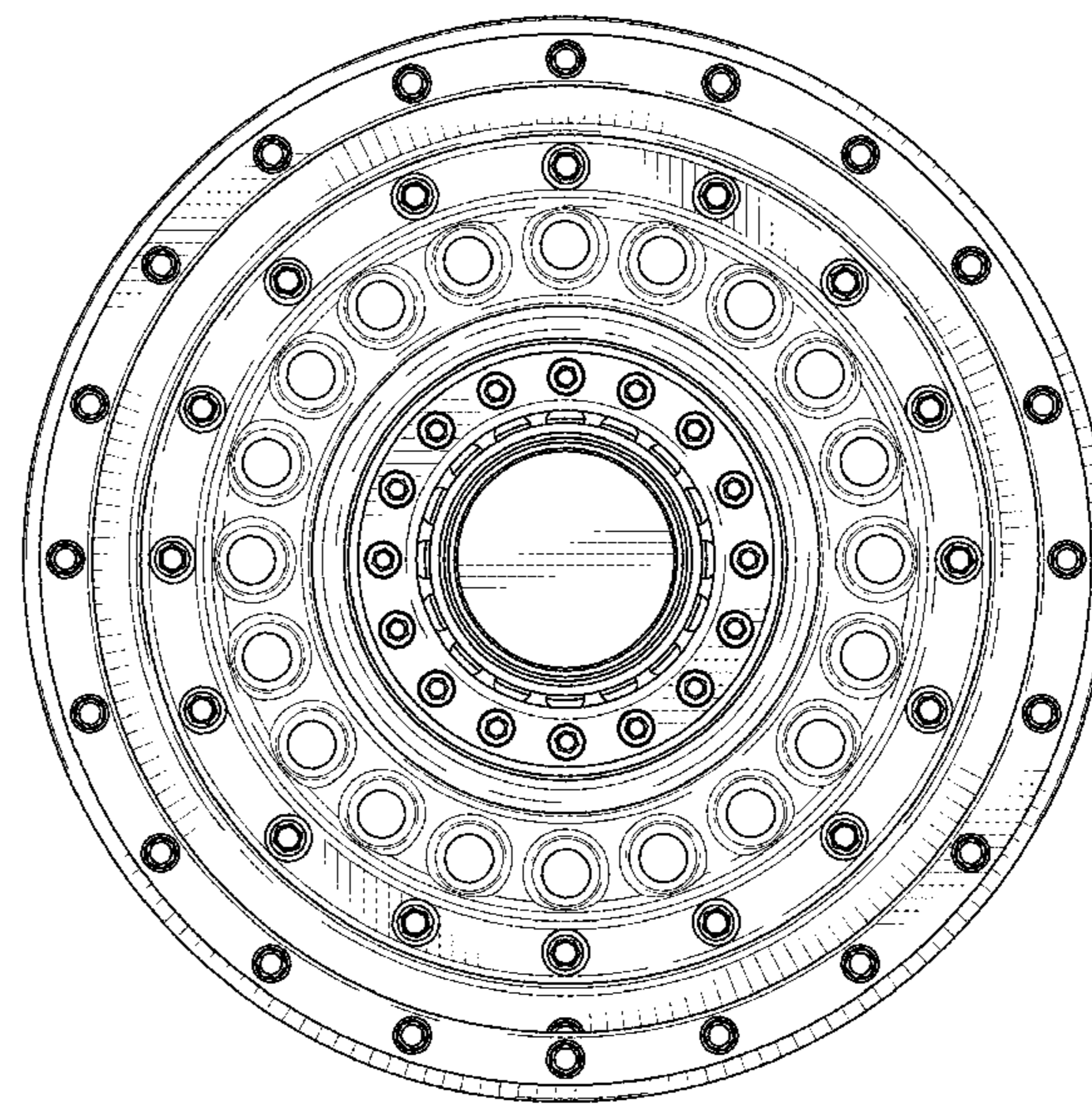
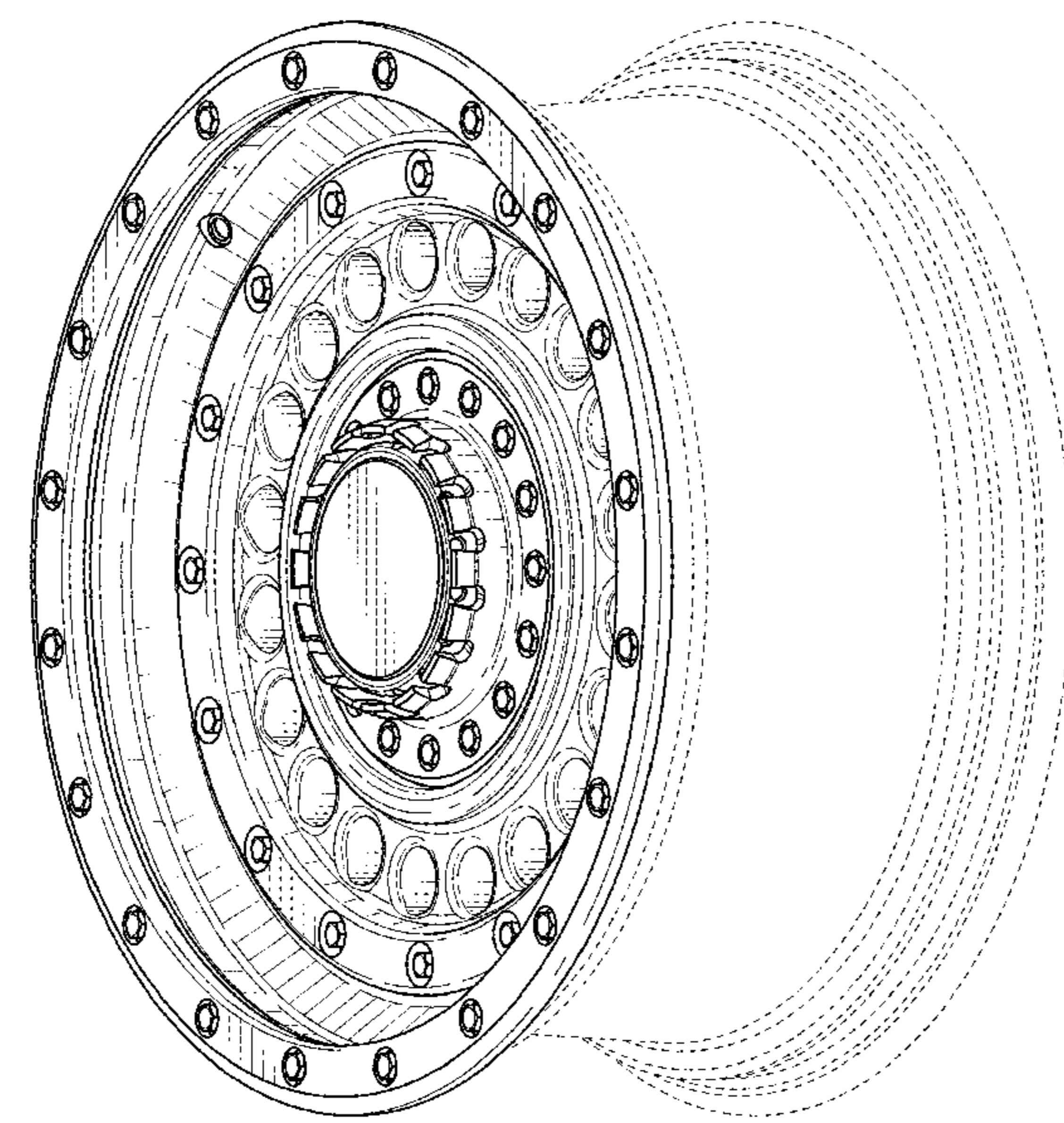
(56) **References Cited**
U.S. PATENT DOCUMENTS
D264,204 S * 5/1982 Bauer D12/210
D273,102 S 3/1984 Woodward
D288,197 S * 2/1987 Goudy D12/210
D291,796 S 9/1987 Reid
D327,466 S * 6/1992 Lipper D12/210
D361,975 S 9/1995 Weld
D394,238 S * 5/1998 Haller D12/209
D408,775 S 4/1999 Shikado
D455,698 S 4/2002 Chung
D467,212 S 12/2002 Noriega
D470,094 S 2/2003 van Hooydonk
D478,542 S 8/2003 Sulahian
D480,036 S 9/2003 Laengerer
D482,996 S 12/2003 Sulahian
D492,924 S * 7/2004 Fitzgerald D12/209

Primary Examiner — Sheryl Lane
Assistant Examiner — Calvin E Vansant
(74) *Attorney, Agent, or Firm* — Eric Hanscom

(57) **CLAIM**
The ornamental design for a wheel, as shown and described.

DESCRIPTION
FIG. 1 is a perspective view of a wheel showing my new design; and,
FIG. 2 is a front view thereof.
In the drawings, the broken lines depict portions of the wheel that form no part of the claim.

1 Claim, 2 Drawing Sheets



(56)

References Cited

U.S. PATENT DOCUMENTS

D706,197 S	6/2014	Chung	
D711,304 S	8/2014	Chung	
D714,707 S	* 10/2014	Chung	D12/211
D715,211 S	10/2014	Gotschke	
D733,027 S	6/2015	Chung	
D735,104 S	7/2015	Hodges	
D739,803 S	9/2015	Miansian	
D742,293 S	11/2015	Chung	
D750,003 S	2/2016	Ahmad	
D756,882 S	5/2016	Tirado	
D764,373 S	8/2016	Valencia Pollex	
D766,805 S	9/2016	Chung	
D769,166 S	10/2016	Juergens	
D769,785 S	10/2016	Wells	
D770,960 S	11/2016	Svensson	
D780,655 S	3/2017	Trim	

* cited by examiner

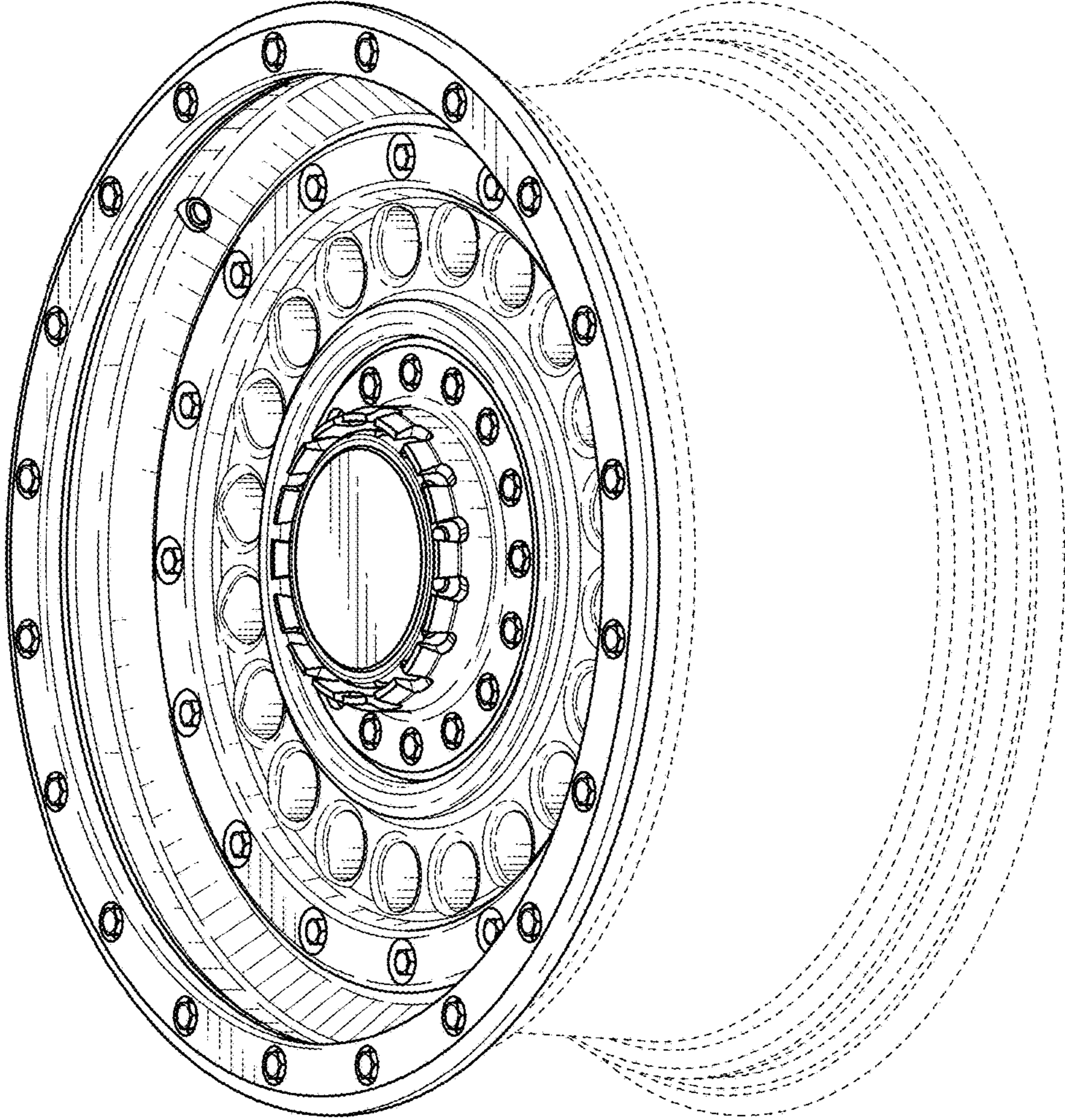


FIG. 1

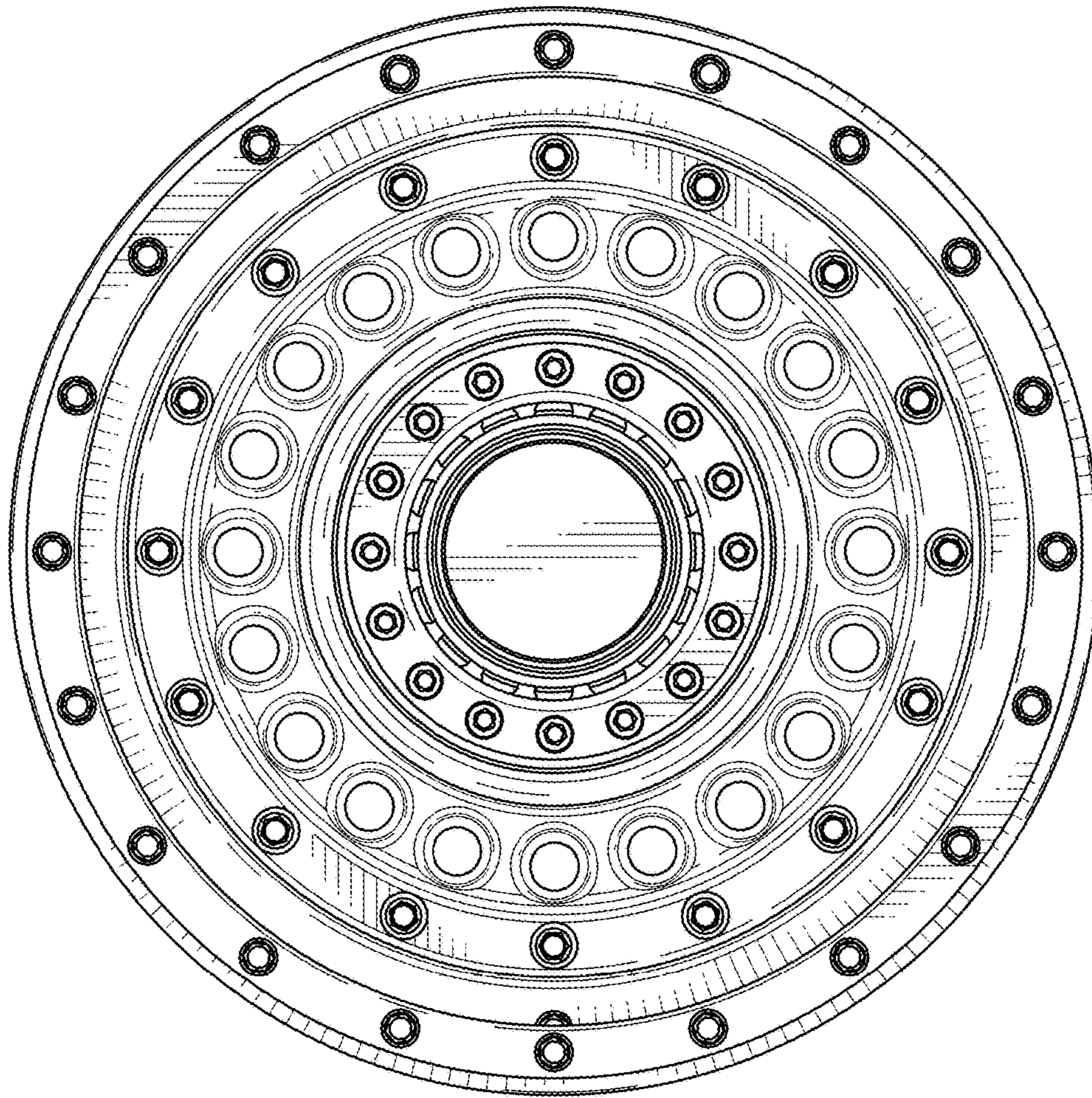


FIG. 2