



US00D835021S

(12) **United States Design Patent**
Sempek

(10) **Patent No.:** **US D835,021 S**

(45) **Date of Patent:** **** Dec. 4, 2018**

(54) **WHEEL RIM**

(71) Applicant: **Allied Wheel Components**, Garden Grove, CA (US)

(72) Inventor: **Christopher Sean Sempek**, Long Beach, CA (US)

(73) Assignee: **ALLIED WHEEL COMPONENTS**, Garden Grove, CA (US)

(**) Term: **15 Years**

(21) Appl. No.: **29/573,305**

(22) Filed: **Aug. 4, 2016**

(51) **LOC (11) Cl.** **12-16**

(52) **U.S. Cl.**
USPC **D12/209**

(58) **Field of Classification Search**
USPC D12/204–213; D21/533, 561, 563
CPC B60B 7/00; B60B 7/02; B60B 7/04; B60B 7/06; B60B 3/02; B60B 3/04; B60B 3/06; B60B 3/10; B60B 1/00; B60B 1/08; B60B 1/10; B60B 1/12
See application file for complete search history.

(56) **References Cited**

U.S. PATENT DOCUMENTS

1,404,382	A *	1/1922	Fine	B60B 1/00 301/64.305
1,530,863	A *	3/1925	Vanderveer	B60B 1/08 301/65
D396,208	S *	7/1998	Baumgartner	D12/211
D481,984	S *	11/2003	Sulahian	D12/211
D497,870	S *	11/2004	Cahyono	D12/211

D516,490	S *	3/2006	Baer	D12/211
D542,210	S *	5/2007	Plumer	D12/211
D555,065	S *	11/2007	Hernandez	D12/211
D587,179	S *	2/2009	Pfeiffer	D12/209
D639,222	S	6/2011	Johnson		
D659,063	S *	5/2012	Johnson	D12/209
D721,318	S *	1/2015	Kim	D12/211
D751,966	S *	3/2016	Zhao	D12/211
D786,768	S *	5/2017	Youssef	D12/211
D803,129	S *	11/2017	McMath	D12/209
D806,630	S *	1/2018	McMath	D12/211
D813,137	S *	3/2018	Sempek	D12/209
D813,780	S *	3/2018	Sempek	D12/209
D817,844	S *	5/2018	Hale, Jr.	D12/209

OTHER PUBLICATIONS

Raceline Wheels catalog, vol. 22.
Raceline Wheels catalog, vol. 26, Mar. 23, 2016.

* cited by examiner

Primary Examiner — Sheryl Lane
Assistant Examiner — Calvin E Vansant
(74) *Attorney, Agent, or Firm* — Fish IP Law, LLP

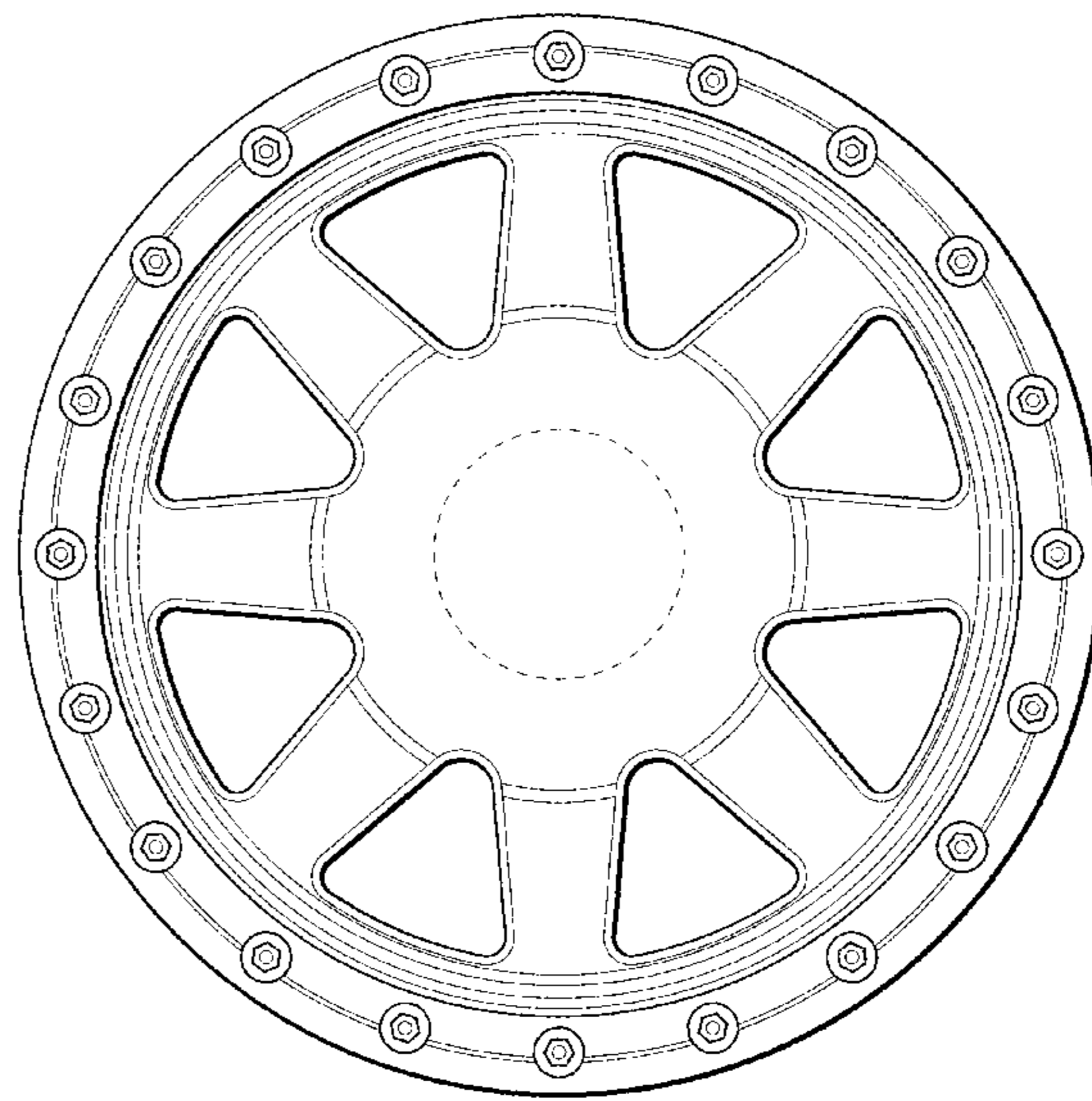
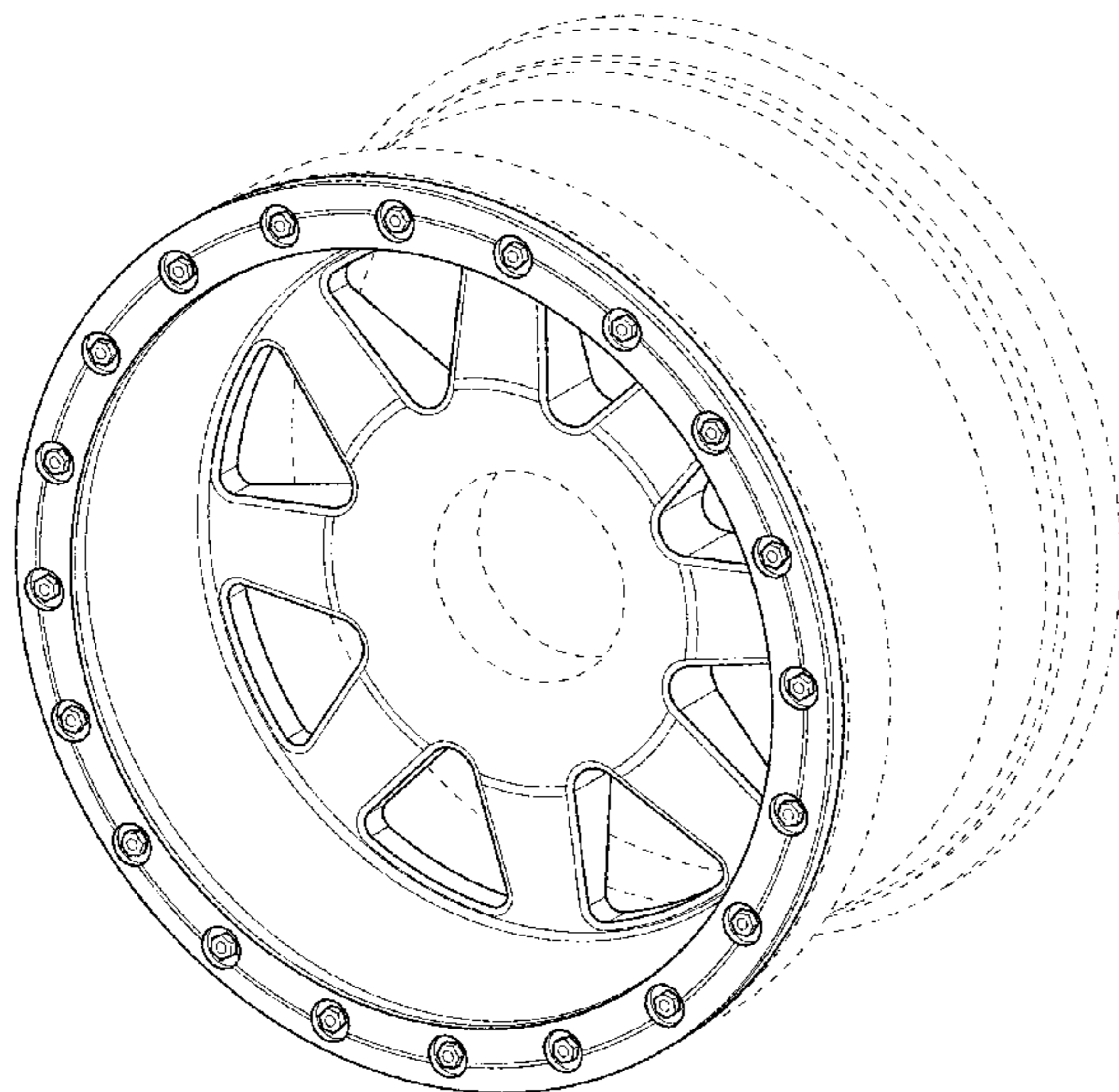
(57) **CLAIM**

The ornamental design for a wheel rim, as shown and described.

DESCRIPTION

FIG. 1 is a top, front, right side perspective view of a wheel rim of the new design; and, FIG. 2 is a front elevation view thereof. The broken lines depict portions of the wheel rim that form no part of the claim.

1 Claim, 2 Drawing Sheets



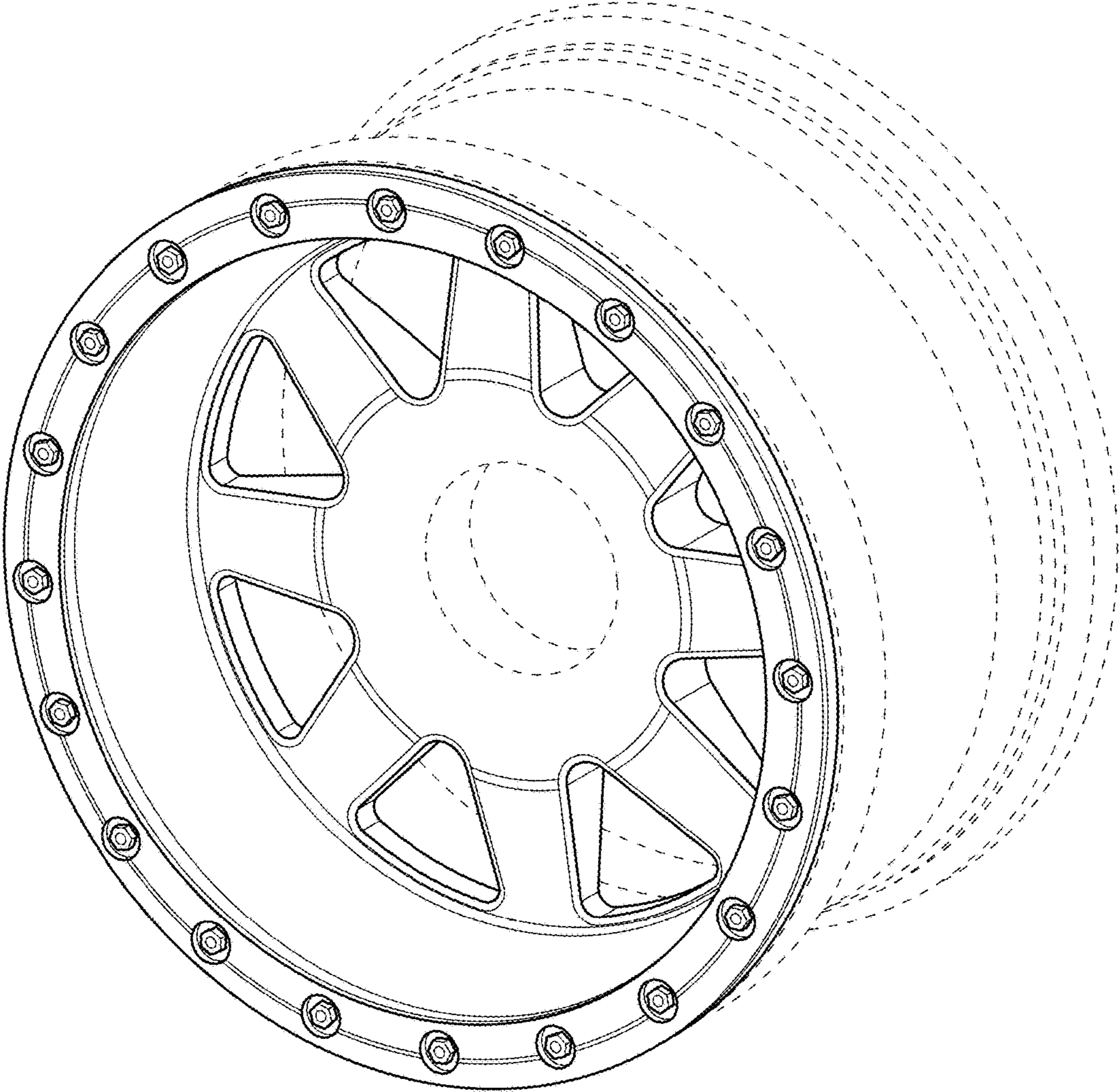


FIG. 1

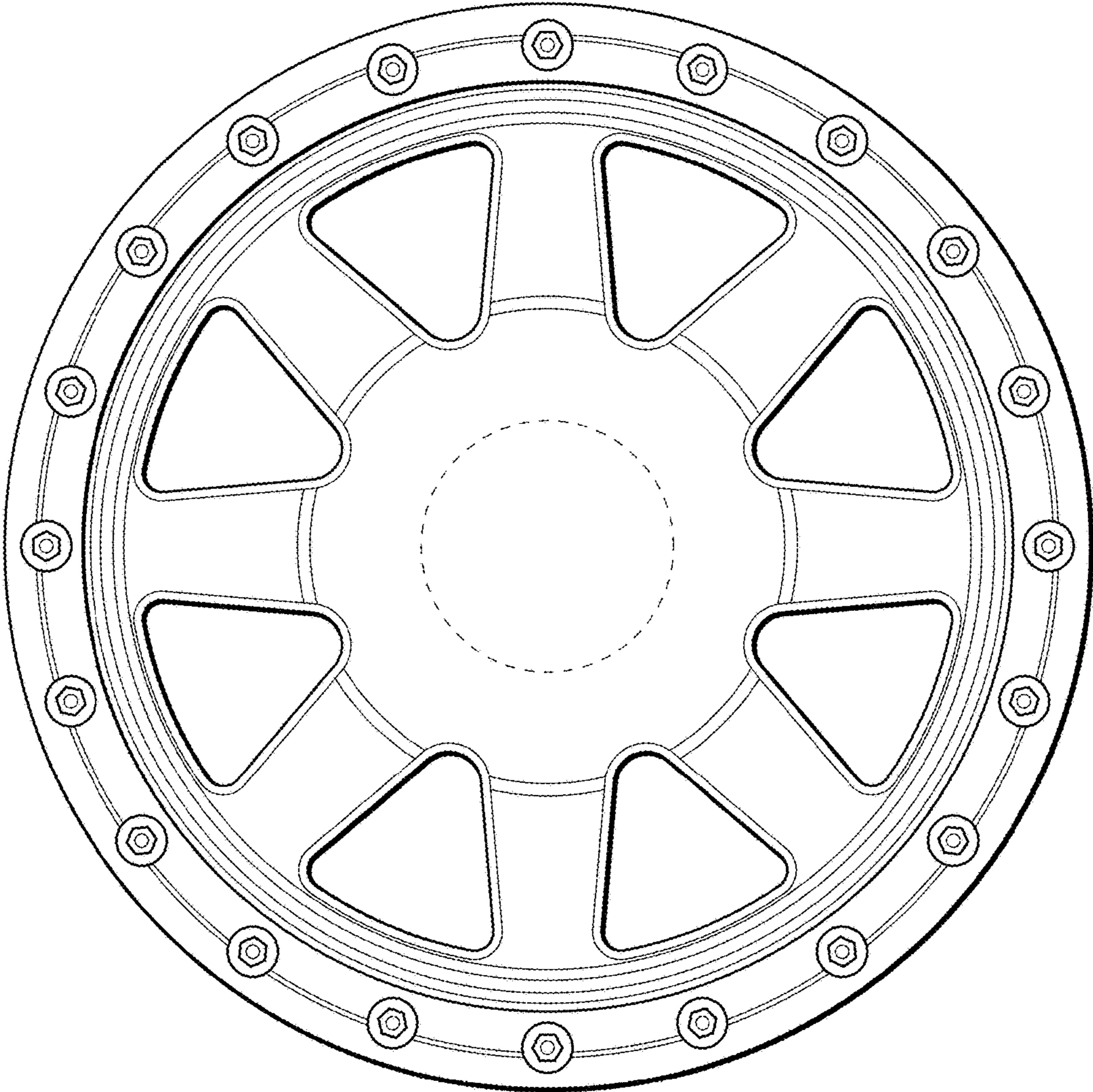


FIG. 2