



US00D835020S

(12) **United States Design Patent** (10) **Patent No.:** **US D835,020 S**
MacNeil et al. (45) **Date of Patent:** **** Dec. 4, 2018**

(54) HITCH STEP	4,943,076 A	7/1990	Tripke	
	D370,452 S *	6/1996	Beasley	D12/203
(71) Applicant: MACNEIL IP LLC , Bolingbrook, IL (US)	5,738,362 A	4/1998	Ludwick	
	6,145,861 A	11/2000	Willis	
	D440,931 S *	4/2001	Knight, III	D12/203
(72) Inventors: David F. MacNeil , Fort Lauderdale, FL (US); Frederick W. Masanek, Jr. , Barrington, IL (US)	D463,345 S *	9/2002	Cipolla	D12/162
	6,511,086 B2	1/2003	Schlicht	
	D491,509 S	6/2004	Bundy	
	6,817,447 B1 *	11/2004	Pedersen	E04F 11/112 182/228.1
	D511,319 S *	11/2005	Wang	D12/162
(73) Assignee: MacNeil IP LLC , Bolingbrook, IL (US)	D513,217 S *	12/2005	Daws	D12/203
	D527,323 S *	8/2006	Storer	D12/203
	D532,354 S	11/2006	Storer	
(**) Term: 15 Years	D549,623 S *	8/2007	Gaddy	D12/162
	D595,630 S	7/2009	McPherson et al.	
(21) Appl. No.: 29/623,551	7,661,693 B1	2/2010	Lipski	

(Continued)

(22) Filed: **Oct. 25, 2017**

Related U.S. Application Data

(63) Continuation-in-part of application No. 29/581,743, filed on Oct. 21, 2016, now Pat. No. Des. 815,003.

(51) **LOC (11) Cl.** **12-16**

(52) **U.S. Cl.**
USPC **D12/203**

(58) **Field of Classification Search**
USPC D12/203, 89, 98, 314, 162, 190, 196
CPC .. B60R 3/002; B60R 3/02; B60R 3/00; B60R 3/005; B60R 3/007
See application file for complete search history.

(56) **References Cited**

U.S. PATENT DOCUMENTS

247,116 A	9/1881	Sawyer	
287,870 A	11/1883	Sawyer	
3,329,443 A	7/1967	Lowder et al.	
3,408,665 A	11/1968	Harris	
3,992,047 A	11/1976	Barenyi et al.	
4,231,583 A	11/1980	Learn	
D292,388 S	10/1987	Weiler	
D293,667 S *	1/1988	Weiler	D12/203

Primary Examiner — Michelle E. Wilson

Assistant Examiner — Clese Moore, Jr.

(74) *Attorney, Agent, or Firm* — Perkins IP Law Group LLC; Jefferson Perkins

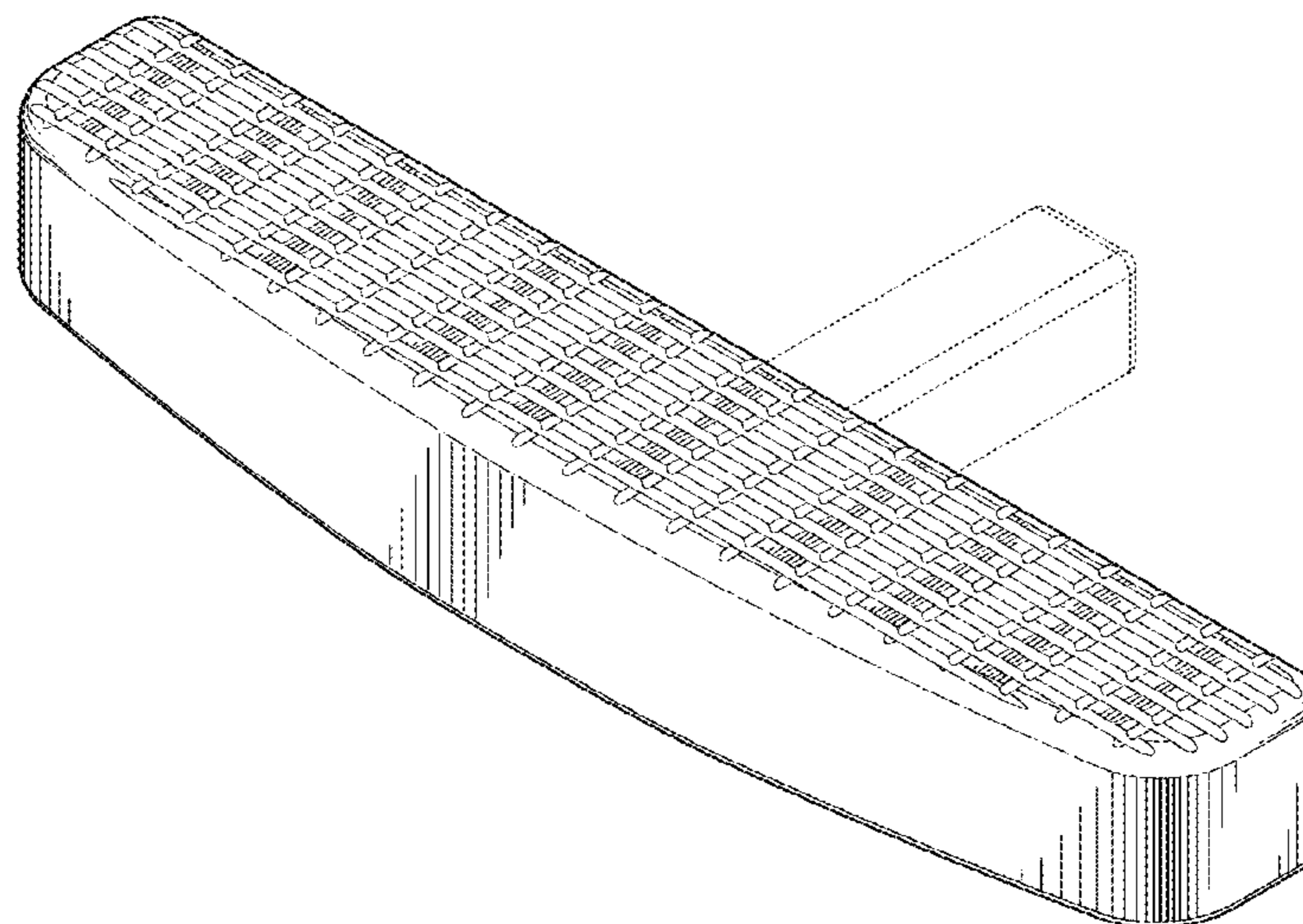
(57) **CLAIM**

We claim an ornamental design for a hitch step, as shown and described.

DESCRIPTION

FIG. 1 is a top rear right perspective view of a hitch step according to our design;
FIG. 2 is a top front left perspective view of our design;
FIG. 3 is a front view of our design;
FIG. 4 is a left view of our design, a right view being a mirror image of the left view;
FIG. 5 is a top view of our design; and,
FIG. 6 is a rear view of our design.
The broken lines shown illustrate environment that forms no part of the claimed design. The bottom surface of the hitch step is unadorned and forms no portion of the claimed design.

1 Claim, 4 Drawing Sheets



(56)

References Cited

U.S. PATENT DOCUMENTS

7,744,106 B2 * 6/2010 VanBelle B60R 3/02
180/90.6
7,954,836 B2 6/2011 Mann
7,967,311 B2 * 6/2011 Phillips B60R 9/06
280/163
D695,665 S * 12/2013 Masanek, Jr. D12/203
8,727,364 B2 5/2014 Masanek, Jr. et al.
8,851,495 B1 10/2014 Masanek, Jr. et al.
8,919,796 B2 12/2014 Masanek, Jr. et al.
D739,801 S 9/2015 Bundy
9,145,035 B2 9/2015 Masanek, Jr.
D744,382 S 12/2015 Woller et al.
9,242,608 B2 1/2016 Masanek, Jr. et al.
D788,669 S * 6/2017 Guo D12/203
2003/0011164 A1 1/2003 Cipolla
2003/0116938 A1 6/2003 Shields et al.
2010/0294819 A1 11/2010 Spera

* cited by examiner

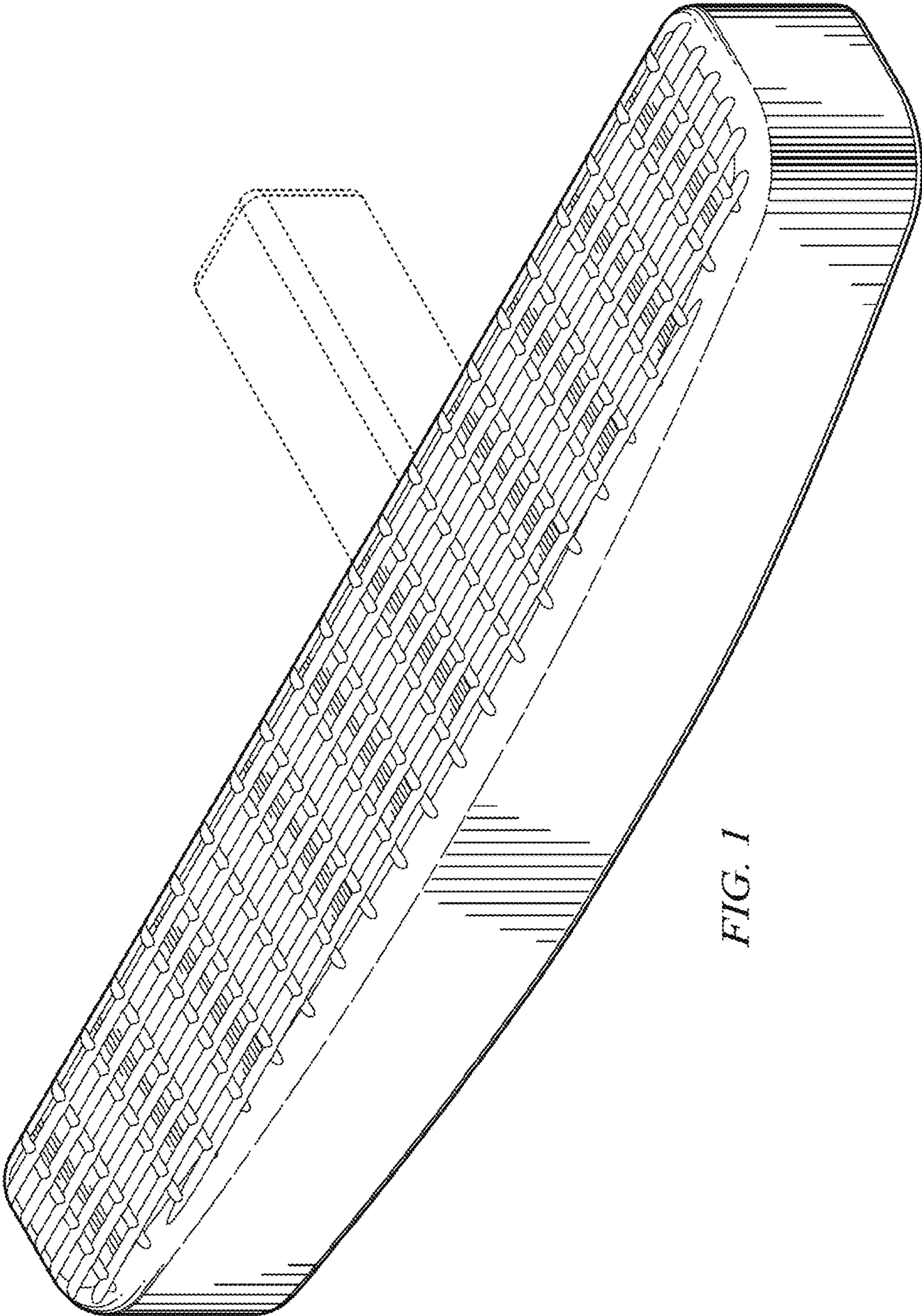


FIG. 1

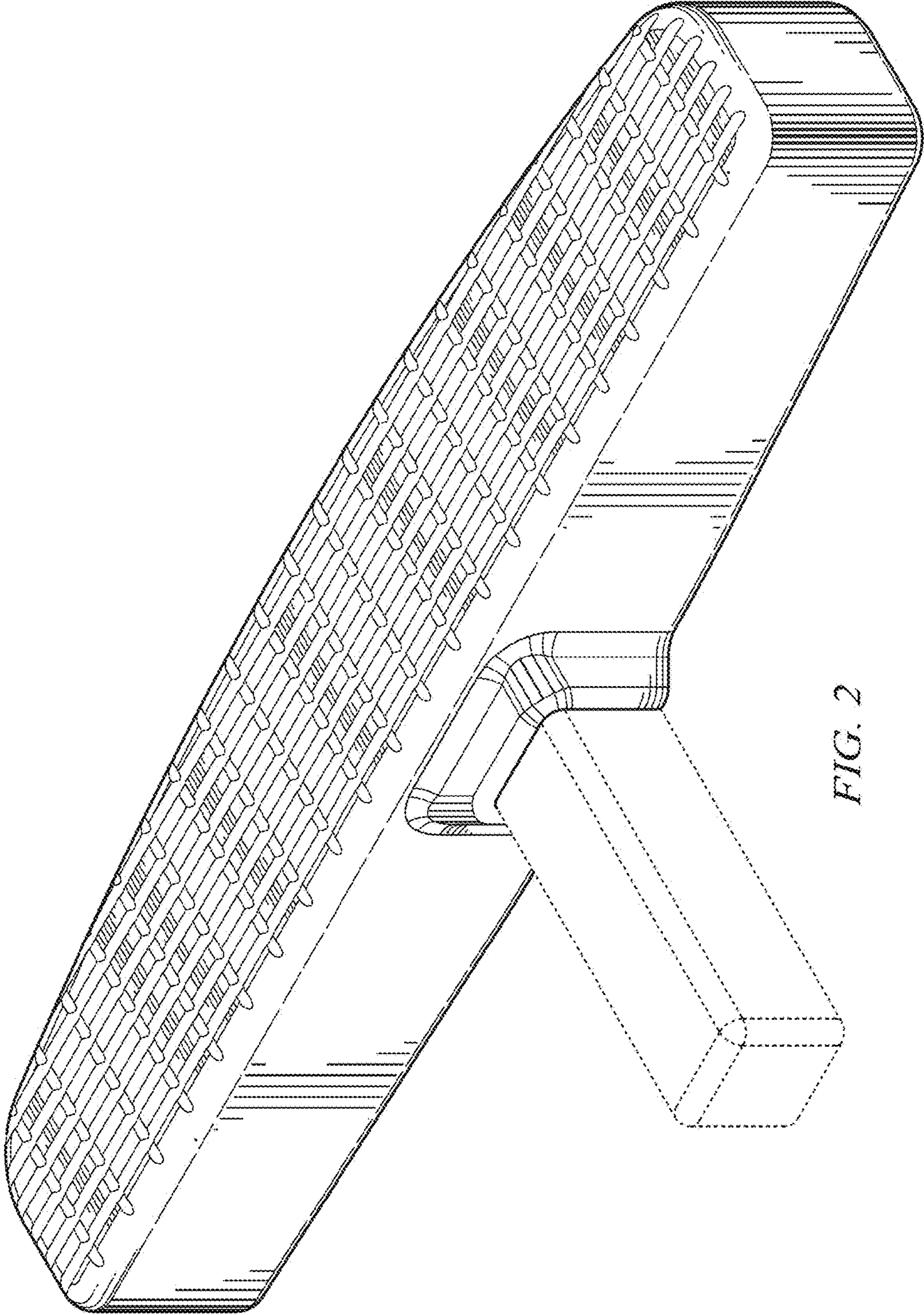


FIG. 2

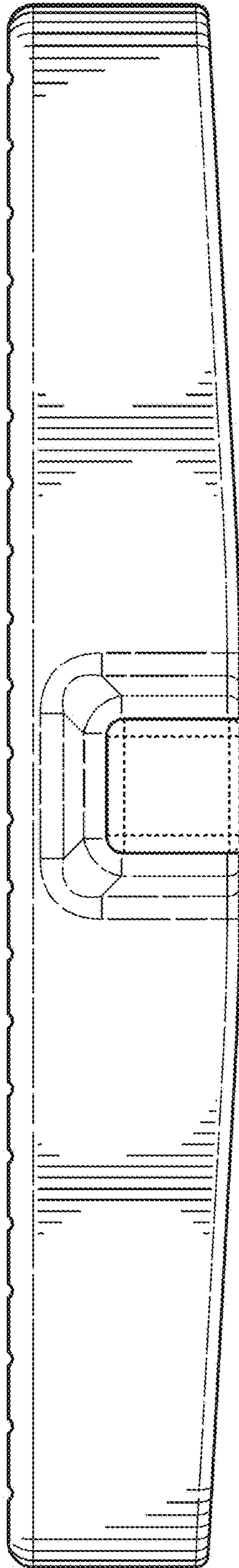


FIG. 3

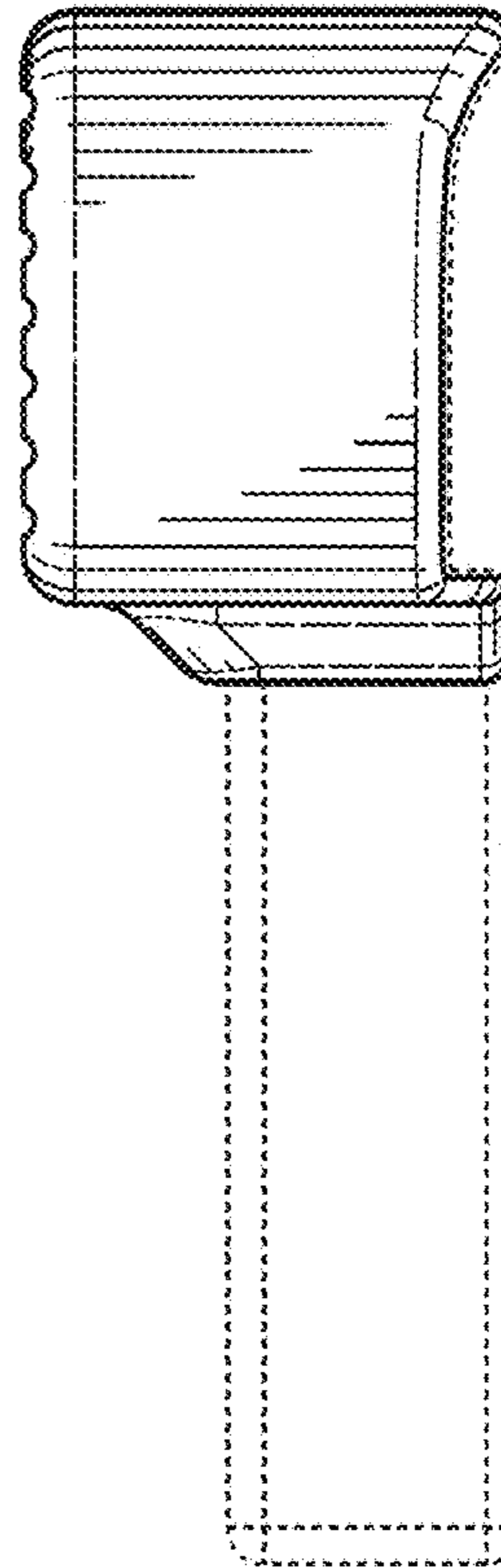


FIG. 4

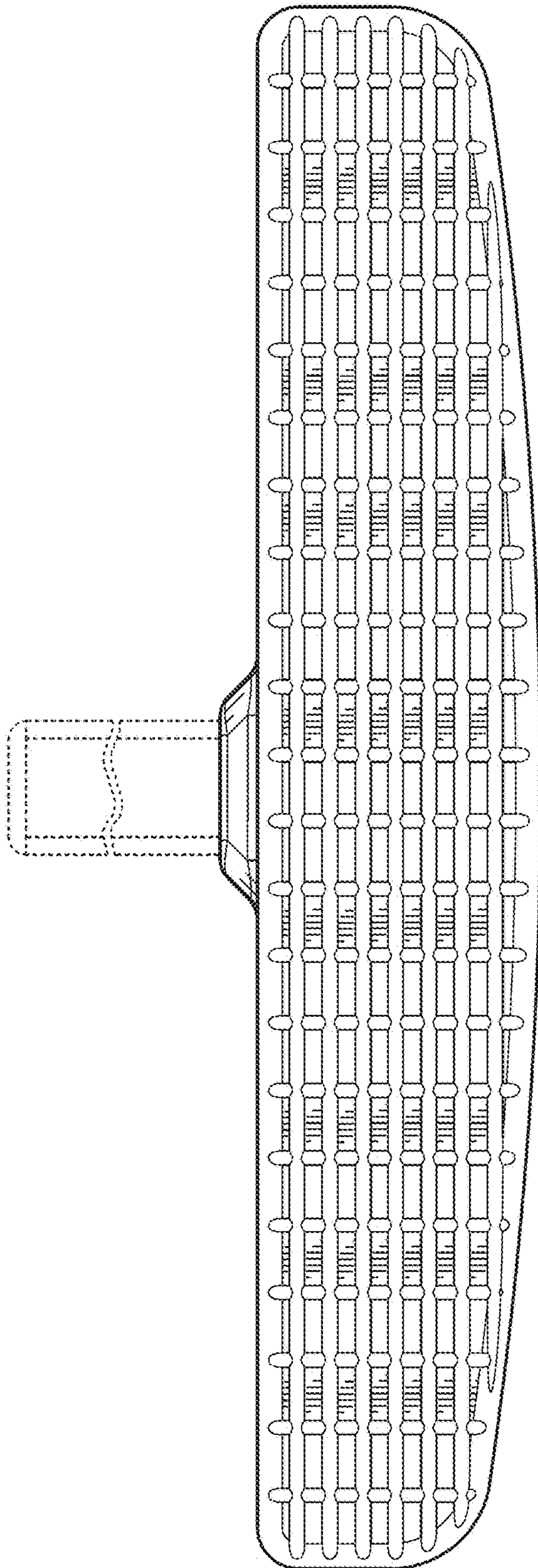


FIG. 5

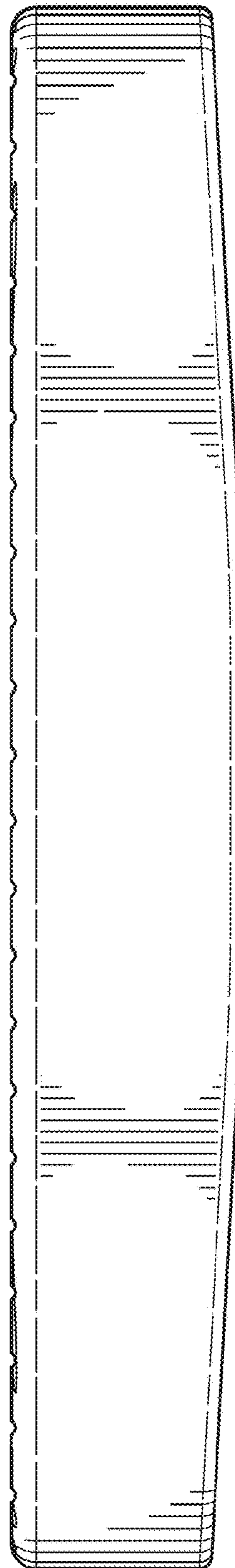


FIG. 6