



US00D835018S

(12) **United States Design Patent** (10) **Patent No.:** **US D835,018 S**  
**Fiore, IV** (45) **Date of Patent:** **\*\* Dec. 4, 2018**

(54) **AUTO STEREO MOUNTING DEVICE COMBINATION**

D695,658 S \* 12/2013 Igarashi ..... D12/192  
D702,674 S \* 4/2014 Fiore, IV ..... D14/258  
D727,889 S \* 4/2015 Fiore, IV ..... D12/192  
D781,842 S \* 3/2017 Quilling, II ..... D14/258

(71) Applicant: **Metra Electronics Corporation**, Holly Hill, FL (US)

(72) Inventor: **Anthony Fiore, IV**, Holly Hill, FL (US)

(73) Assignee: **Metra Electronics Corporation**, Holly Hill, FL (US)

(\*\*) Term: **15 Years**

(21) Appl. No.: **29/566,134**

(22) Filed: **May 27, 2016**

(51) **LOC (11) Cl.** ..... **12-08**

(52) **U.S. Cl.**  
USPC ..... **D12/195**

(58) **Field of Classification Search**  
USPC ..... D12/414, 415, 416, 417, 418, 419, 420, D12/195, 422, 421, 424, 425, 426, 190, D12/192, 191, 106, 345, 96, 99, 400  
CPC ..... B60R 7/04; B60R 7/08  
See application file for complete search history.

(56) **References Cited**

**U.S. PATENT DOCUMENTS**

D309,978 S \* 8/1990 Fluharty ..... D12/424  
D339,780 S \* 9/1993 Burdick ..... D12/418  
D435,818 S \* 1/2001 Shimizu ..... D12/192  
D555,646 S \* 11/2007 Quilling, II ..... D14/258  
D556,658 S \* 12/2007 Kanda ..... D12/192  
D561,077 S \* 2/2008 Kato ..... D12/192  
D639,288 S \* 6/2011 Fiore, IV ..... D14/258  
D639,798 S \* 6/2011 Fiore, IV ..... D14/258  
D639,799 S \* 6/2011 Fiore, IV ..... D14/258

**OTHER PUBLICATIONS**

Amazon.com. "Metra 99-3018S Single and Double DIN Dash Installation Kit for 2008-2015 Cadillac CTS Vehicles—Silver." First reviewed Sep. 12, 2016. Retrieved Apr. 10, 2017. (<https://www.amazon.com/Metra993018SInstallation20082015Cadillac/dp/B01D5ZACIG>).\*  
Youtube.com. "Metra Cadillac CTS 2008-2015 Dash Kits | CES 2016." Uploaded Feb. 3, 2016. Retrieved Apr. 10, 2017. (<https://www.youtube.com/watch?v=tXalf1zsaVY>).\*

\* cited by examiner

*Primary Examiner* — Karen S Acker

*Assistant Examiner* — Jerry Shiuian-Hua Hsu

(74) *Attorney, Agent, or Firm* — J. Wiley Horton

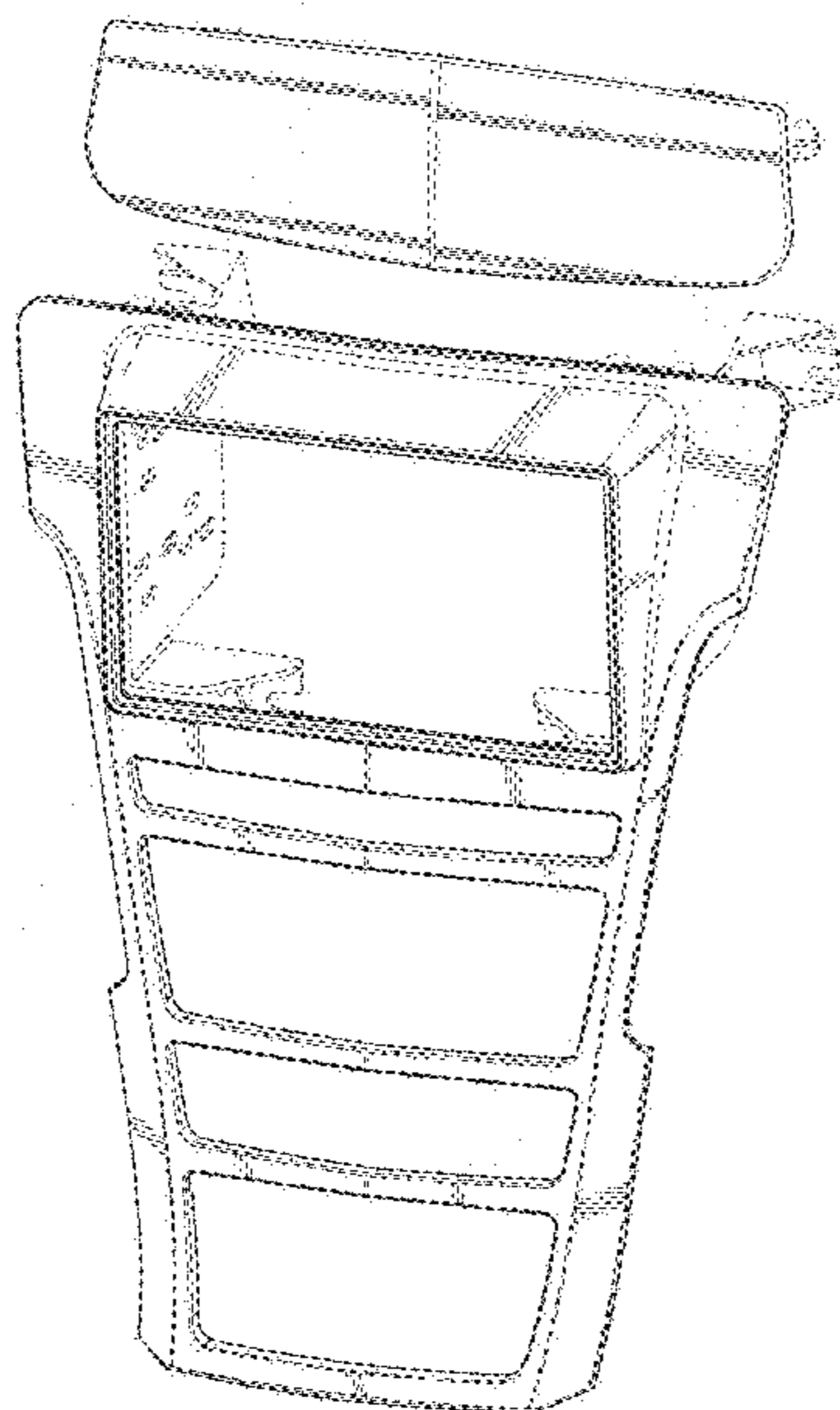
(57) **CLAIM**

The ornamental design for an auto stereo mounting device combination, as shown and described.

**DESCRIPTION**

FIG. 1 is a perspective view of an auto stereo mounting device combination, showing my design; FIG. 2 is a front elevation view of FIG. 1; FIG. 3 is a rear elevation view of FIG. 1; FIG. 4 is a right side elevation view of FIG. 1; FIG. 5 is a left side elevation view of FIG. 1; FIG. 6 is a top plan view of FIG. 1; and, FIG. 7 is a bottom plan view of FIG. 1. The broken lines shown in all views illustrate mounting features which form no part of the claimed design.

**1 Claim, 7 Drawing Sheets**



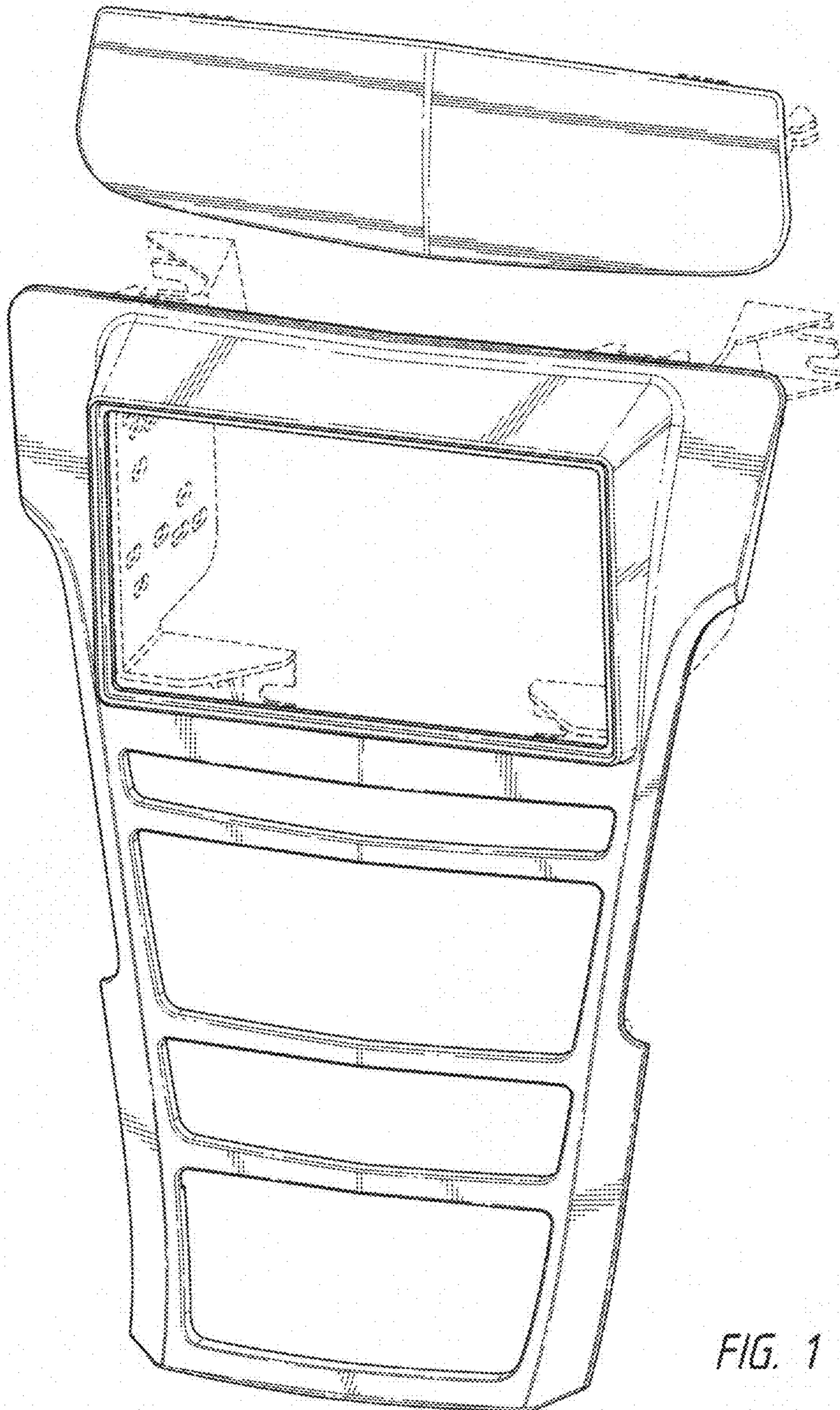


FIG. 1

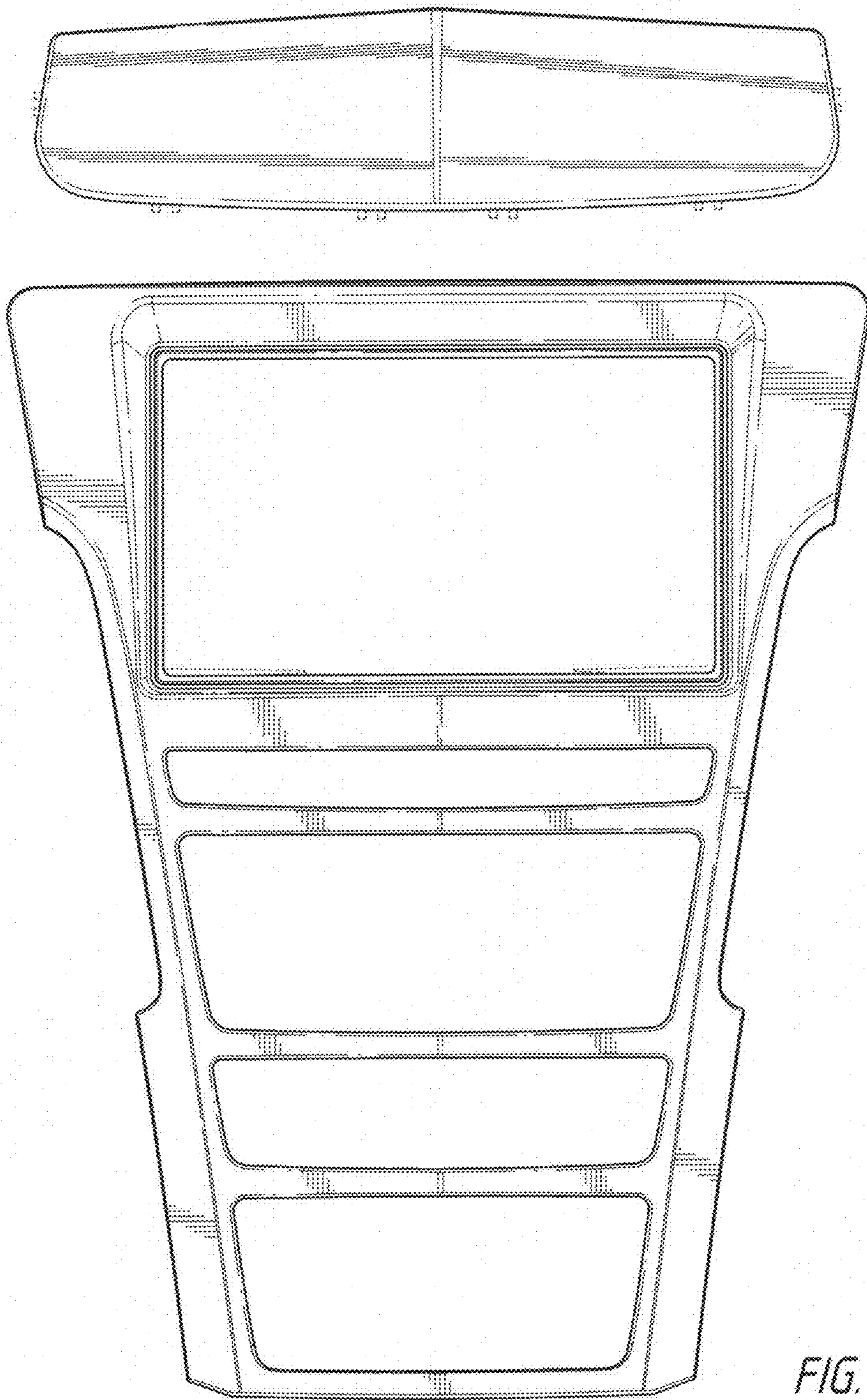


FIG. 2

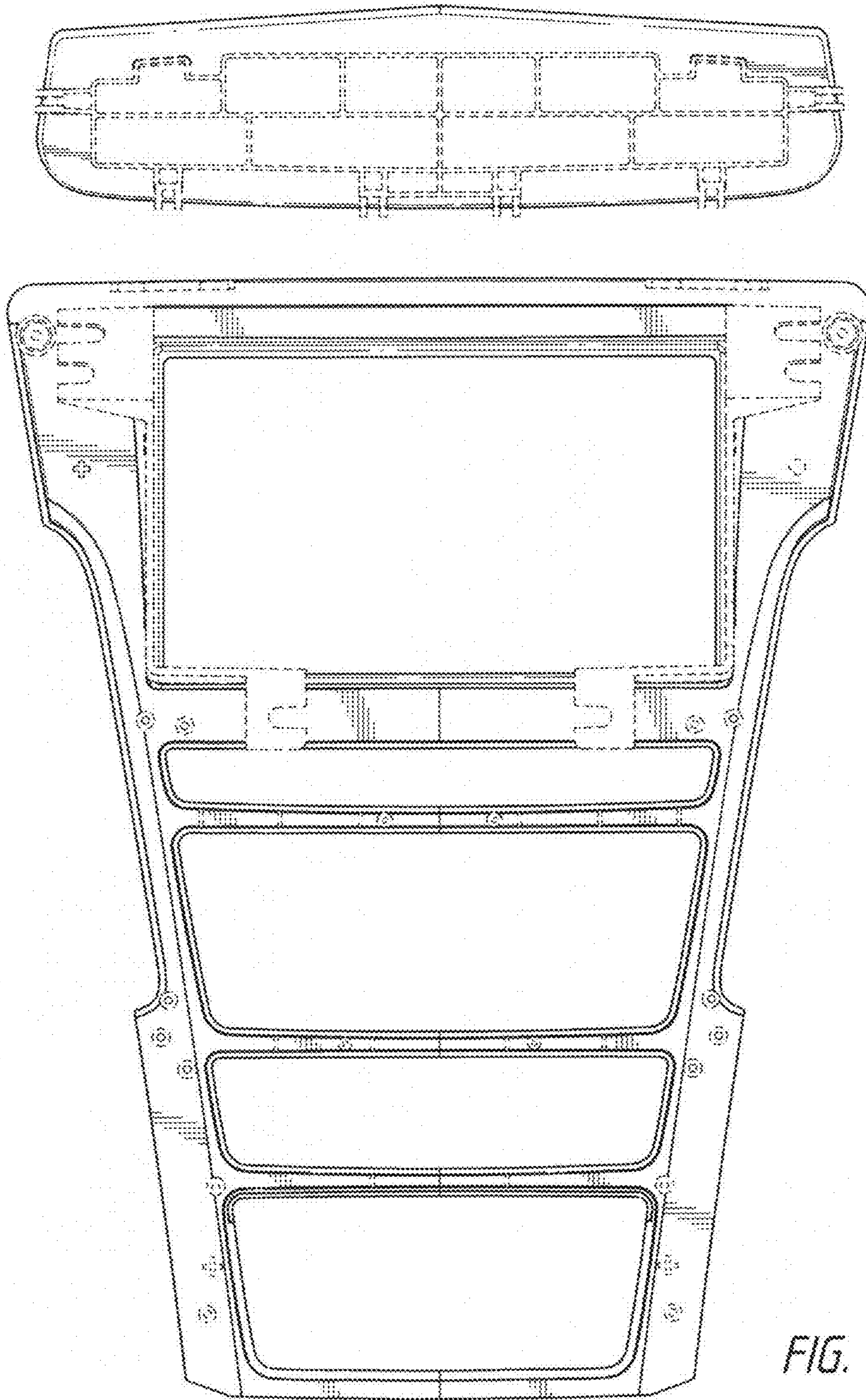


FIG. 3

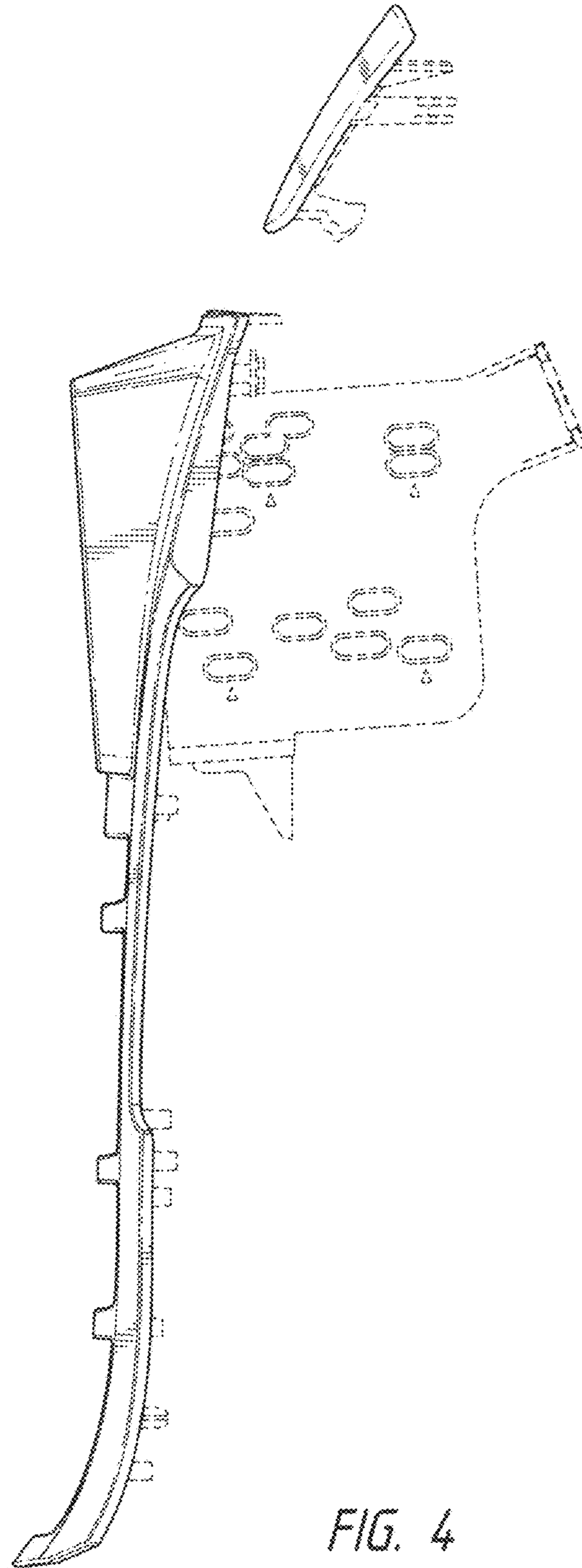


FIG. 4

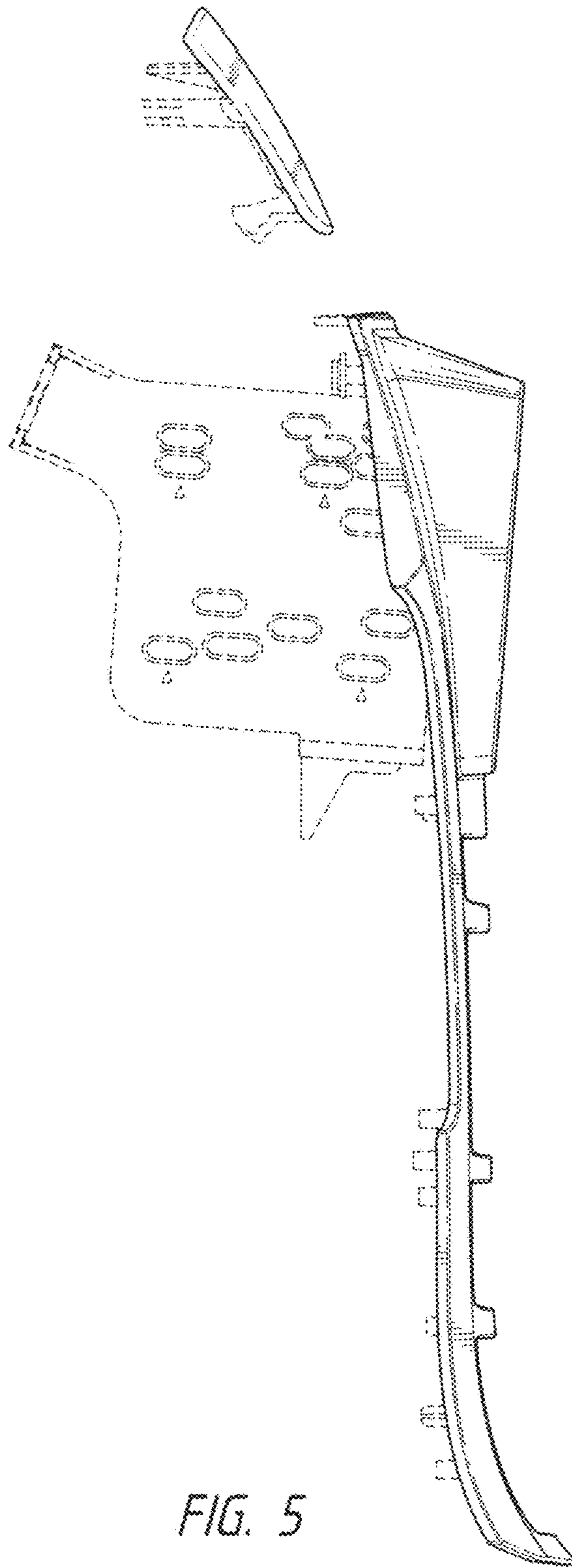


FIG. 5

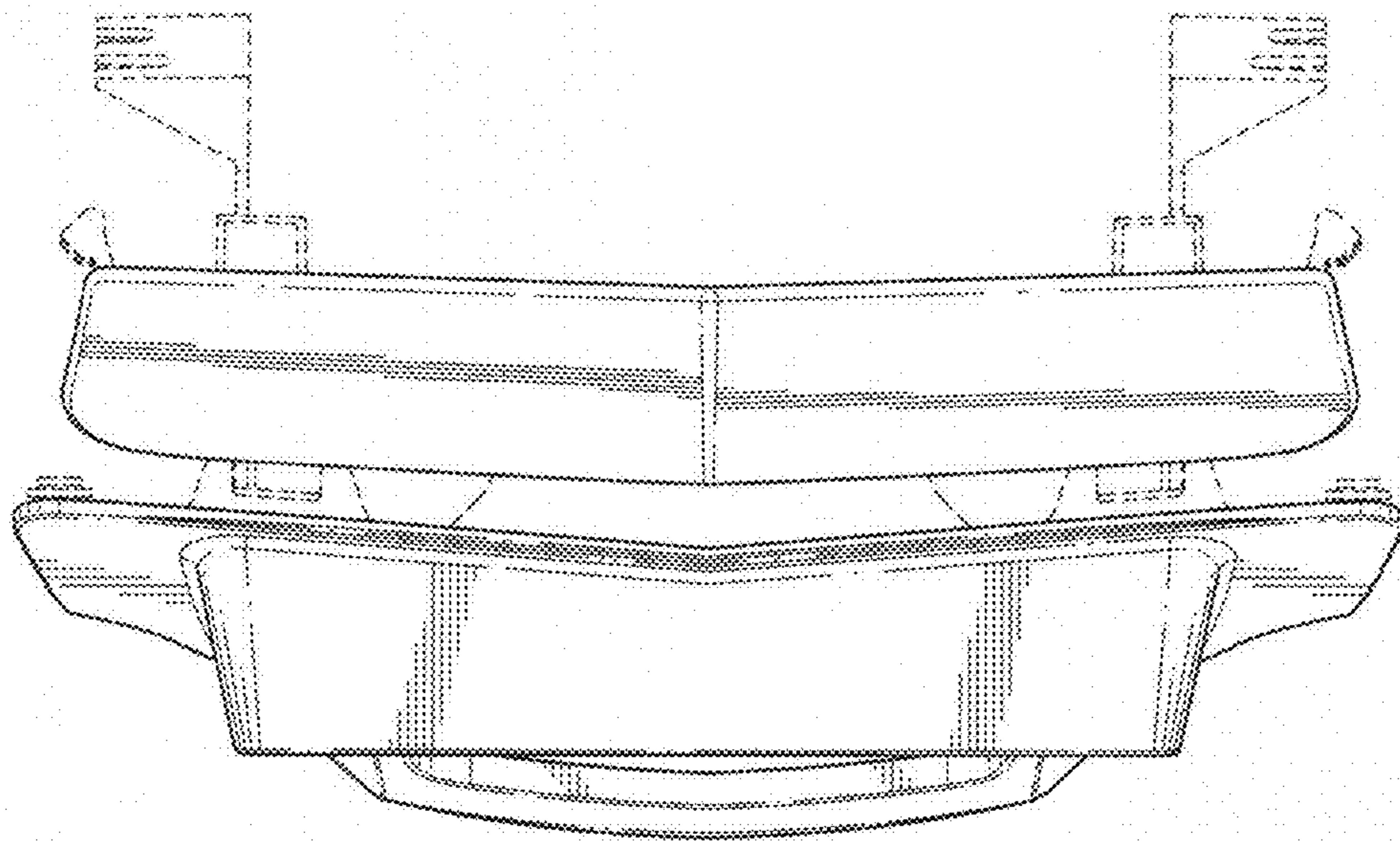


FIG. 6

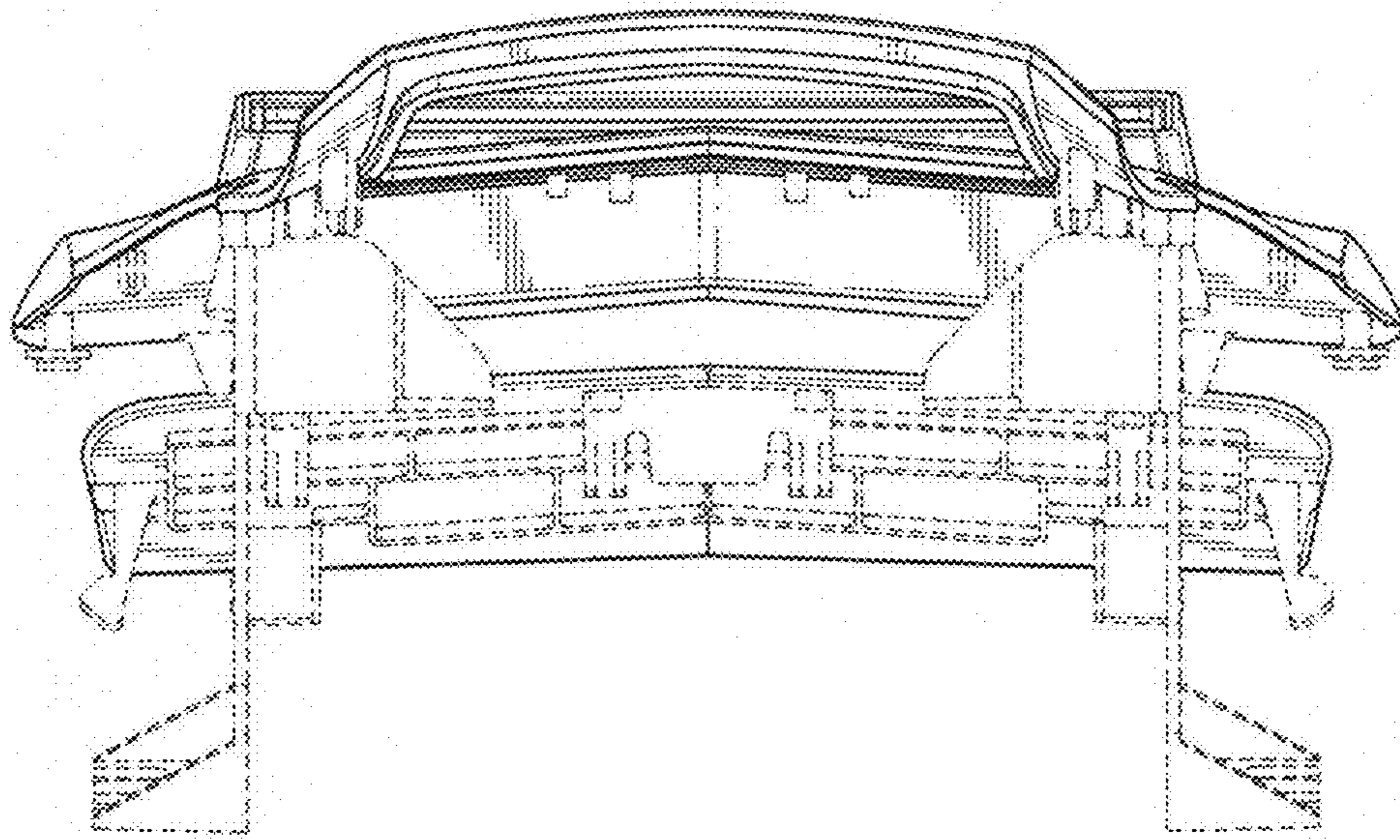


FIG. 7