



US00D835017S

(12) **United States Design Patent**
Hill

(10) **Patent No.:** **US D835,017 S**

(45) **Date of Patent:** **** Dec. 4, 2018**

(54) **DISPLAY UNIT**

(71) Applicant: **PositiveG Investments Pty Ltd as trustee for the PositiveG Trust, Aberfeldie VIC (AU)**

(72) Inventor: **Peter Hill, Aberfeldie (AU)**

(73) Assignee: **POSITIVEG INVESTMENTS PTY LTD, Aberfeldie VIC (AU), AS TRUSTEE FOR THE POSITIVEG TRUST**

(**) Term: **15 Years**

(21) Appl. No.: **29/558,556**

(22) Filed: **Mar. 18, 2016**

(30) **Foreign Application Priority Data**

Sep. 18, 2015 (AU) 14941/2015

(51) **LOC (11) Cl.** **12-16**

(52) **U.S. Cl.**
USPC **D12/192; D20/10**

(58) **Field of Classification Search**
USPC D21/477; D10/102, 49, 46, 98, 103, D10/122-127, 50; D12/192; 296/97.1, 296/37.18, 70; 362/492; 702/165; D14/157, 210, 224.1, 258, 315, 126, 131, D14/443; D15/110, 114, 415; 348/118; D20/20
CPC B60R 21/045; B60R 21/205; B60R 11/02; B60K 35/00; B60H 3/06
See application file for complete search history.

(56) **References Cited**

U.S. PATENT DOCUMENTS

D245,402 S * 8/1977 Rasmussen D10/98
4,448,276 A * 5/1984 Nakamoto B60K 37/06
180/90

D276,039 S * 10/1984 Tanaka D12/192
4,633,216 A * 12/1986 Tsuyama G01C 22/002
324/174
4,636,769 A * 1/1987 Tsuyama G01C 22/002
324/174
D320,815 S 10/1991 Frost
D334,897 S * 4/1993 Katz D10/98
D336,313 S 6/1993 Reed
D339,787 S * 9/1993 Badiali D12/317
D382,302 S 8/1997 Grinbaum
D395,454 S 6/1998 Hayashi
D405,040 S * 2/1999 Badiali D12/192
D407,075 S * 3/1999 Wung D12/192
D410,440 S * 6/1999 Carnell D12/192

(Continued)

FOREIGN PATENT DOCUMENTS

WO WO-0014941 A1 * 3/2000 H04M 1/02

Primary Examiner — Shannon W Morgan

Assistant Examiner — Altaira J Swangin

(74) *Attorney, Agent, or Firm* — Walter | Haverfield LLP; James J. Pingor

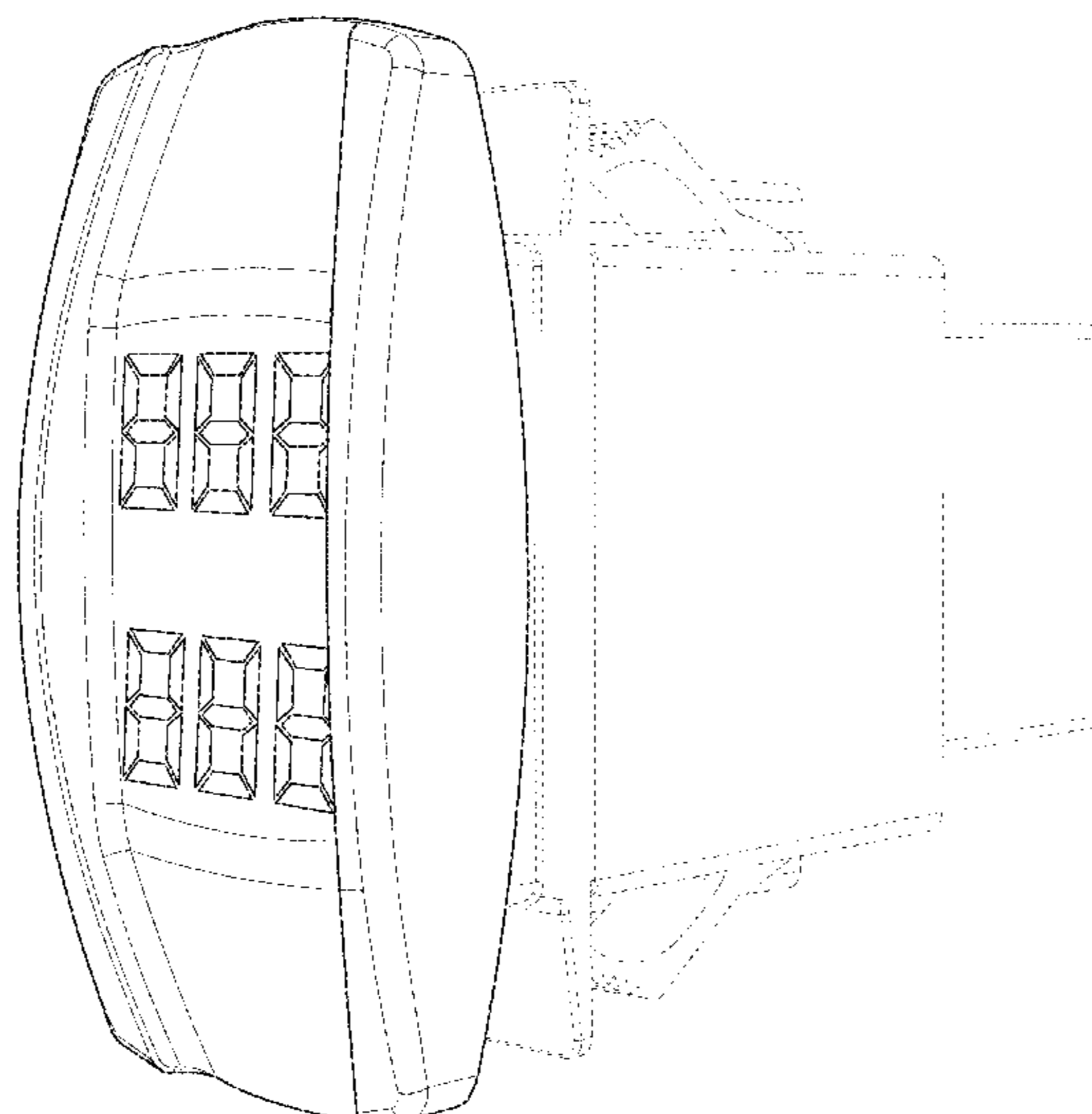
(57) **CLAIM**

The ornamental design for a display unit, as shown and described.

DESCRIPTION

FIG. 1 is a front right perspective view of a display unit.
FIG. 2 is a front left perspective view of the display unit.
FIG. 3 is a rear right perspective view of the display unit.
FIG. 4 is a rear left perspective view of the display unit.
FIG. 5 is a front view of the display unit.
FIG. 6 is a left side view of the display unit.
FIG. 7 is a right side view of the display unit.
FIG. 8 is a top view of the display unit; and,
FIG. 9 is a bottom view of the display unit.
The broken lines shown in the drawings indicate portions of the display unit which form no part of the claimed design.

1 Claim, 9 Drawing Sheets



(56)

References Cited

U.S. PATENT DOCUMENTS

D411,498 S * 6/1999 Pourias D12/192
 D412,157 S * 7/1999 Stevenson D10/125
 D424,538 S 5/2000 Hayashi et al.
 D427,641 S 7/2000 Palmer
 D430,901 S 9/2000 Palmer
 D431,824 S * 10/2000 Nagele D14/443
 D437,575 S * 2/2001 Tamashima D12/192
 D438,909 S 3/2001 Najmi
 D440,927 S * 4/2001 Pfeiffer D12/192
 D449,345 S 10/2001 Lung et al.
 D452,447 S * 12/2001 Chu D10/15
 D469,107 S * 1/2003 Miller D14/488
 D473,174 S * 4/2003 Pfeiffer D12/192
 D490,435 S * 5/2004 Chen D14/443
 D490,727 S * 6/2004 Kido D10/125
 D493,197 S 7/2004 Tagawa
 D497,392 S 10/2004 Benoit
 D498,492 S * 11/2004 Miyauchi D18/50
 D500,334 S * 12/2004 Yanagisawa D16/219
 D503,745 S 4/2005 Yasuoka et al.
 6,899,273 B2 * 5/2005 Hussey G06K 7/10851
 235/462.43
 D506,510 S 6/2005 Yasuoka et al.
 D520,386 S * 5/2006 Takach D10/50
 D553,095 S * 10/2007 Lemke D13/162
 D553,100 S * 10/2007 Peterson D13/162
 D557,645 S * 12/2007 Akagawa D12/192
 D572,764 S 7/2008 Phan

D574,437 S 8/2008 Green
 D595,160 S * 6/2009 Fisher D10/50
 D596,963 S * 7/2009 Novotny D10/50
 D597,037 S * 7/2009 Lampropoulos D13/162
 D616,772 S * 6/2010 Guo D10/57
 D628,526 S * 12/2010 Stephenson D12/192
 D635,497 S * 4/2011 Chambers D12/192
 D688,955 S * 9/2013 Deligiannis D10/50
 D690,614 S * 10/2013 Mascadri D10/125
 D701,269 S 3/2014 Nadeem
 D727,887 S * 4/2015 Fiore, IV D12/192
 D733,590 S * 7/2015 Primiani D10/50
 D737,154 S * 8/2015 Jacoby D10/50
 D743,929 S * 11/2015 Suntharalingam D14/159
 D744,595 S 12/2015 Chapman et al.
 D750,981 S * 3/2016 Jacoby D10/50
 D757,180 S 5/2016 Indio Da Costa et al.
 D762,495 S * 8/2016 Tanaka D10/50
 D762,496 S * 8/2016 Tanaka D10/50
 D762,497 S * 8/2016 Tanaka D10/50
 D764,990 S * 8/2016 Sethapun D12/192
 D772,129 S * 11/2016 Ichikawa D12/192
 D775,986 S * 1/2017 Borie D10/102
 D790,997 S * 7/2017 Dewey D10/46
 D795,712 S * 8/2017 Bergin D10/50
 D810,589 S * 2/2018 Lin D10/49
 D818,857 S * 5/2018 Dewey D10/78
 2007/0268155 A1 * 11/2007 Holmes G01S 5/0289
 340/901
 2017/0129422 A1 5/2017 Gloodt

* cited by examiner

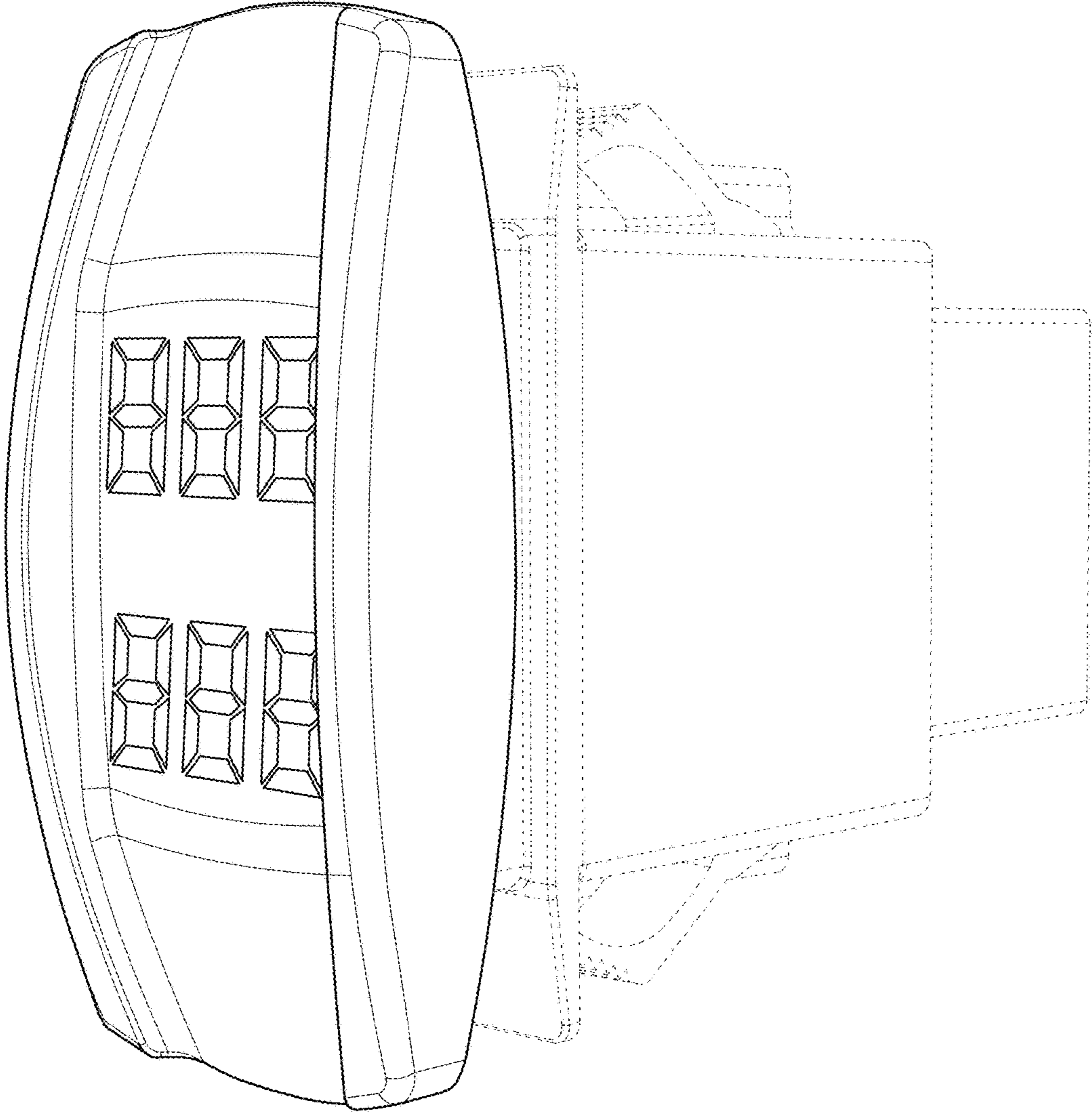


FIG. 1

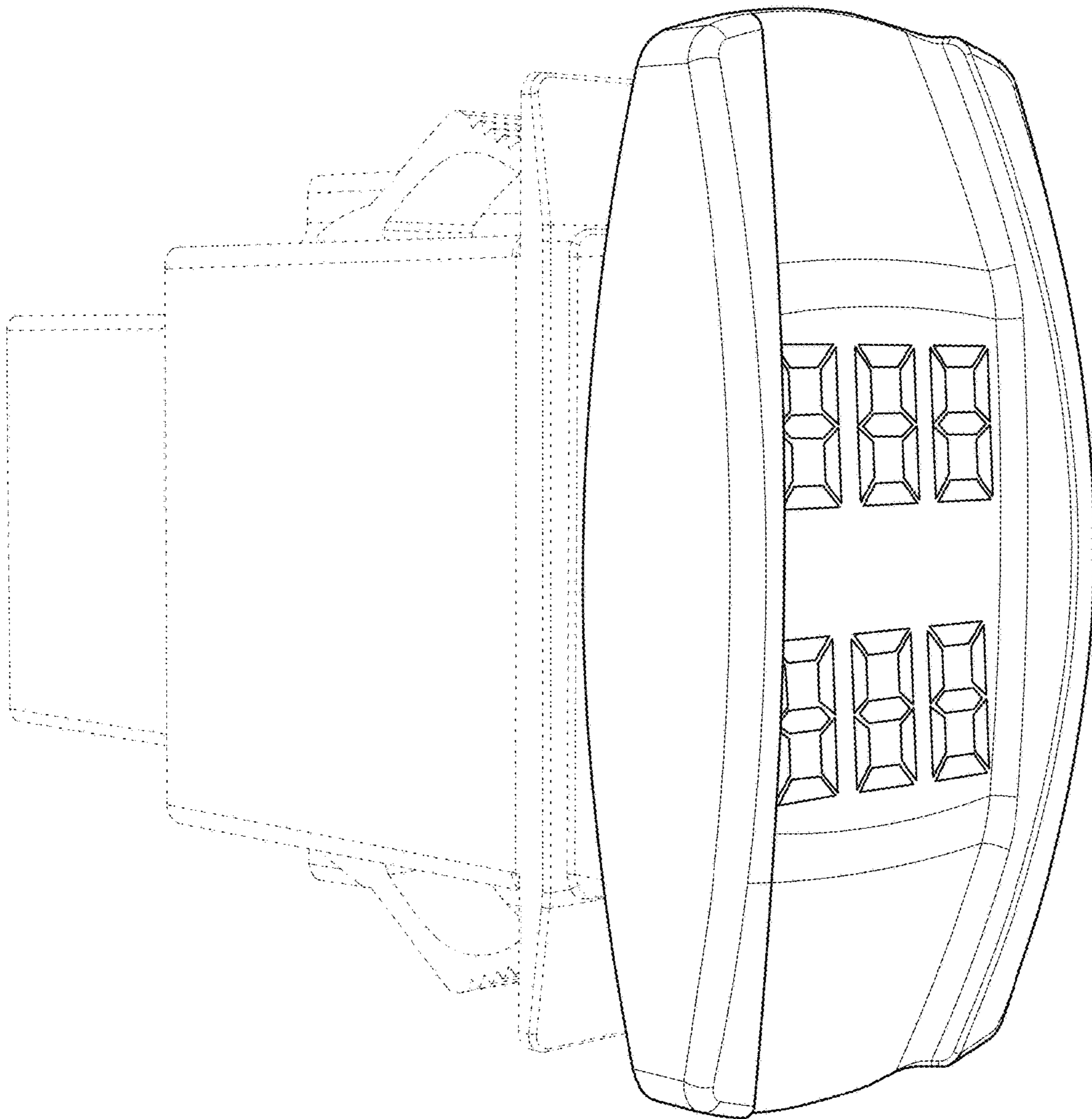


FIG. 2

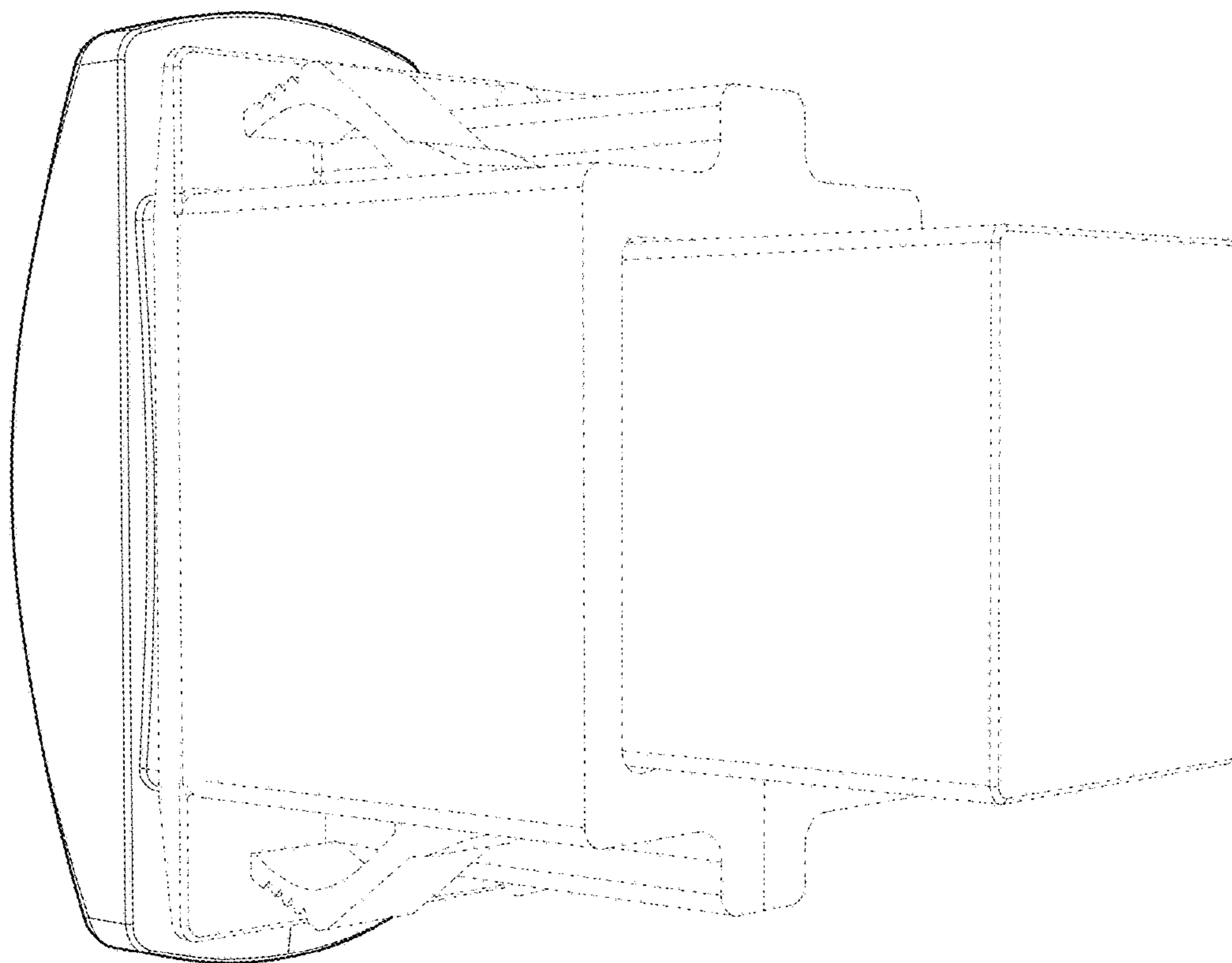


FIG. 3

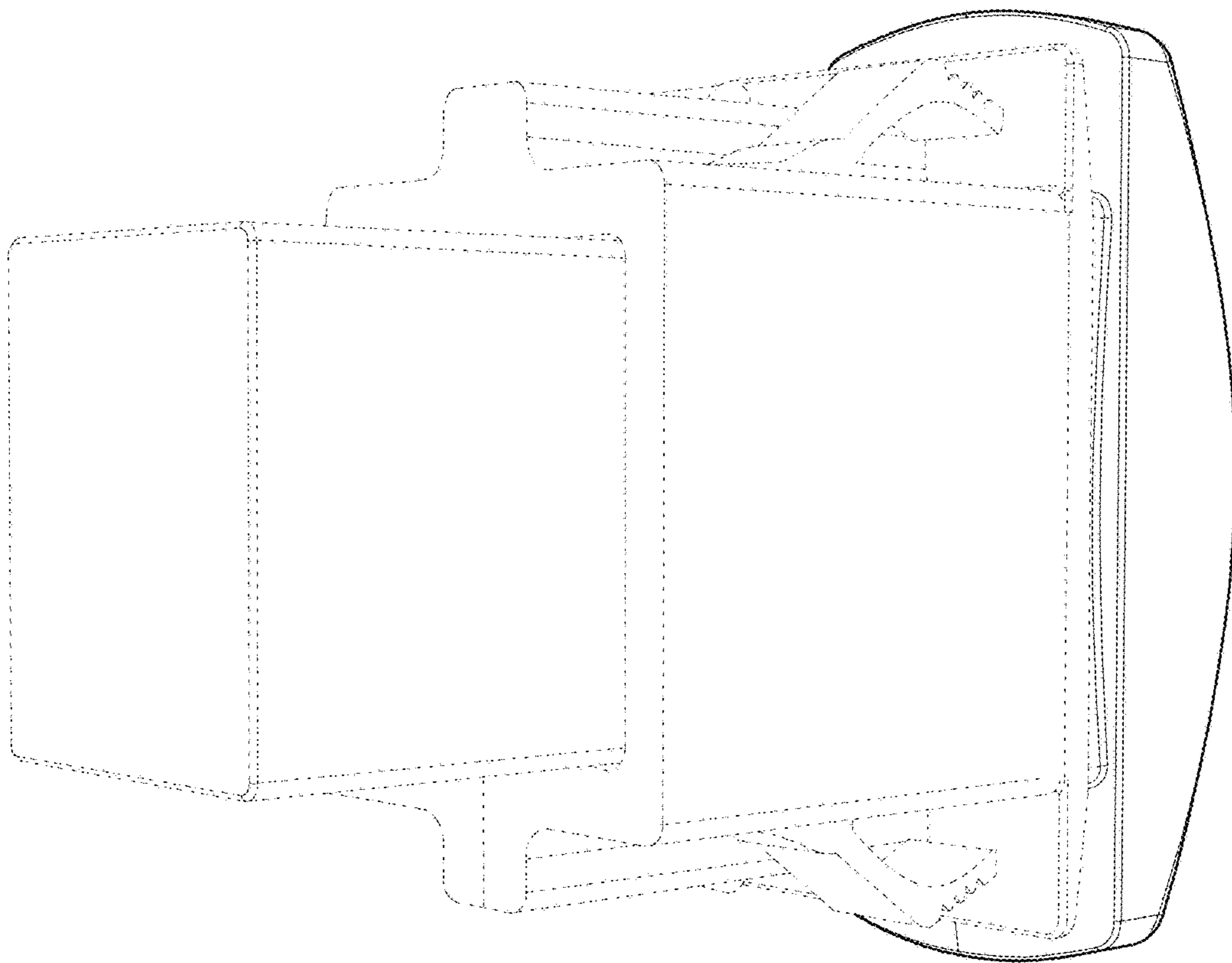


FIG. 4

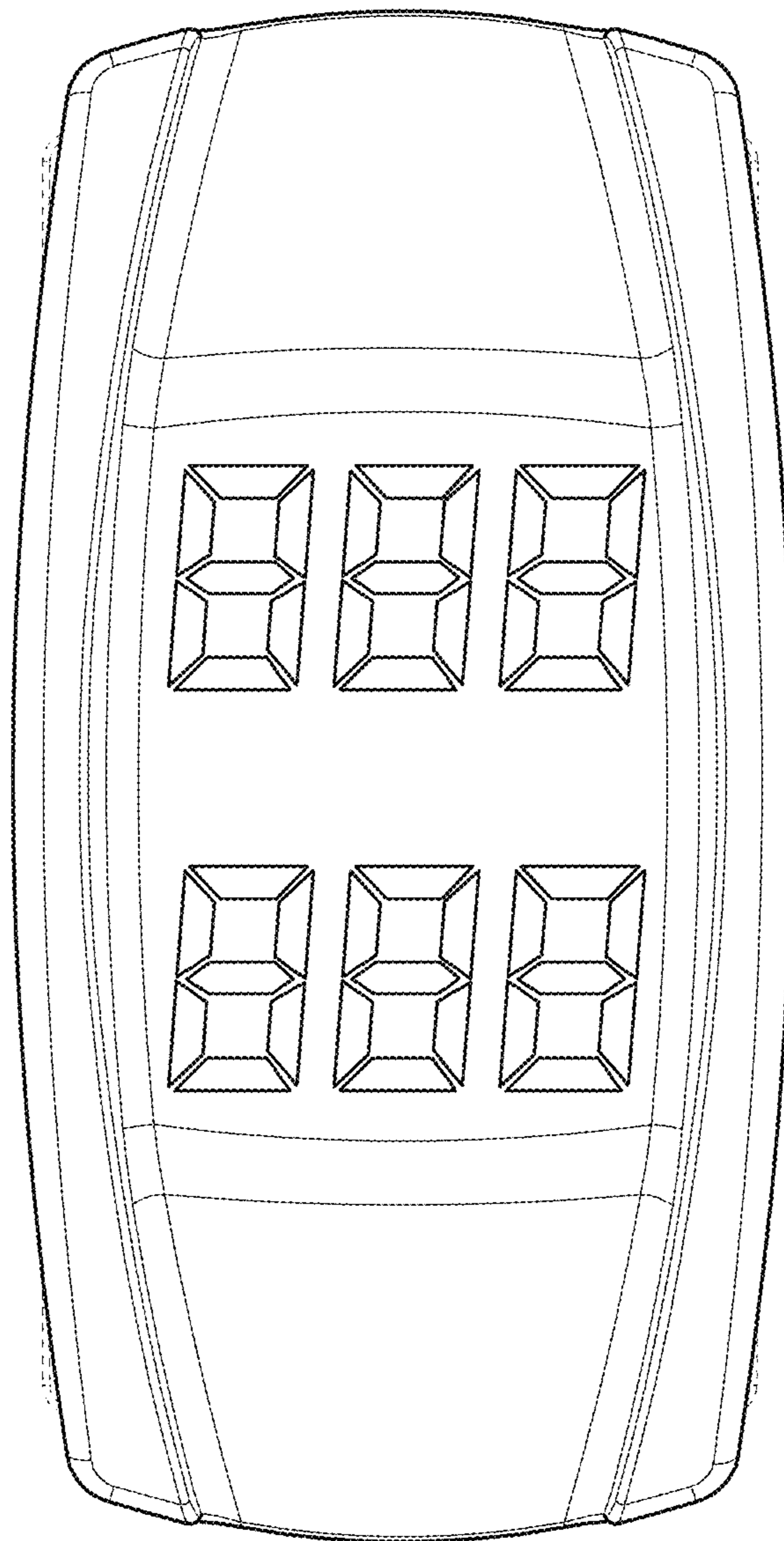


FIG. 5

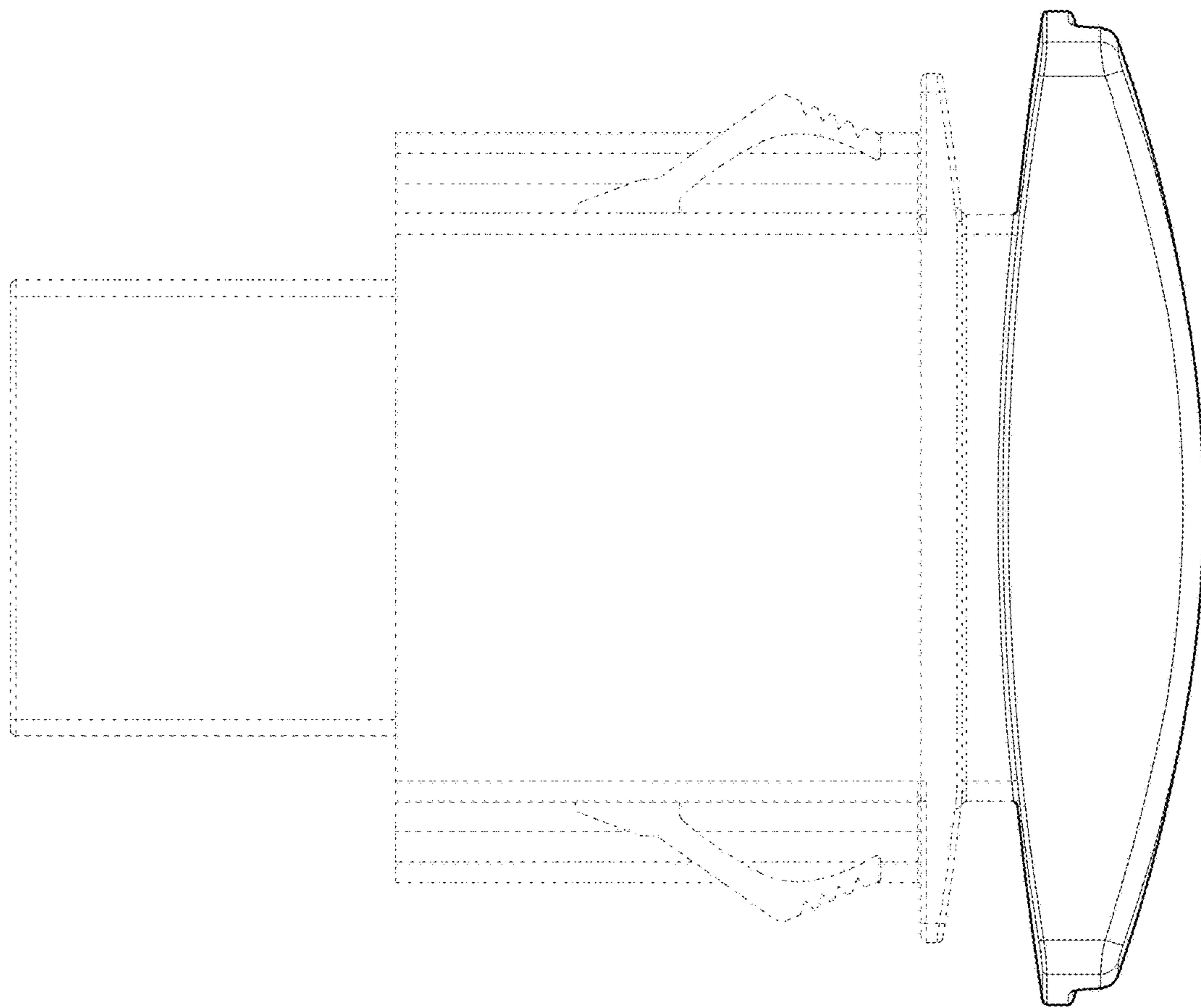


FIG. 6

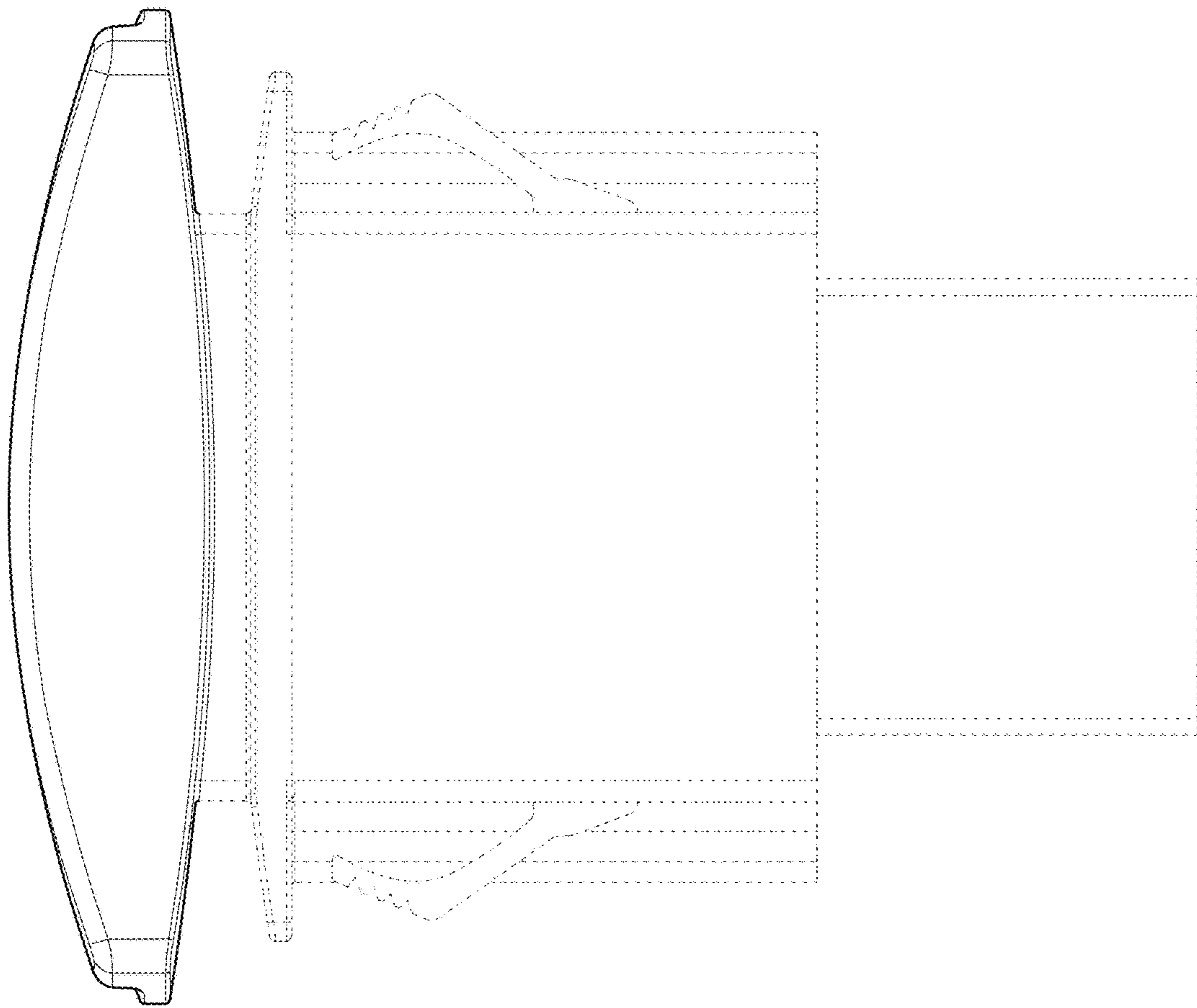


FIG. 7

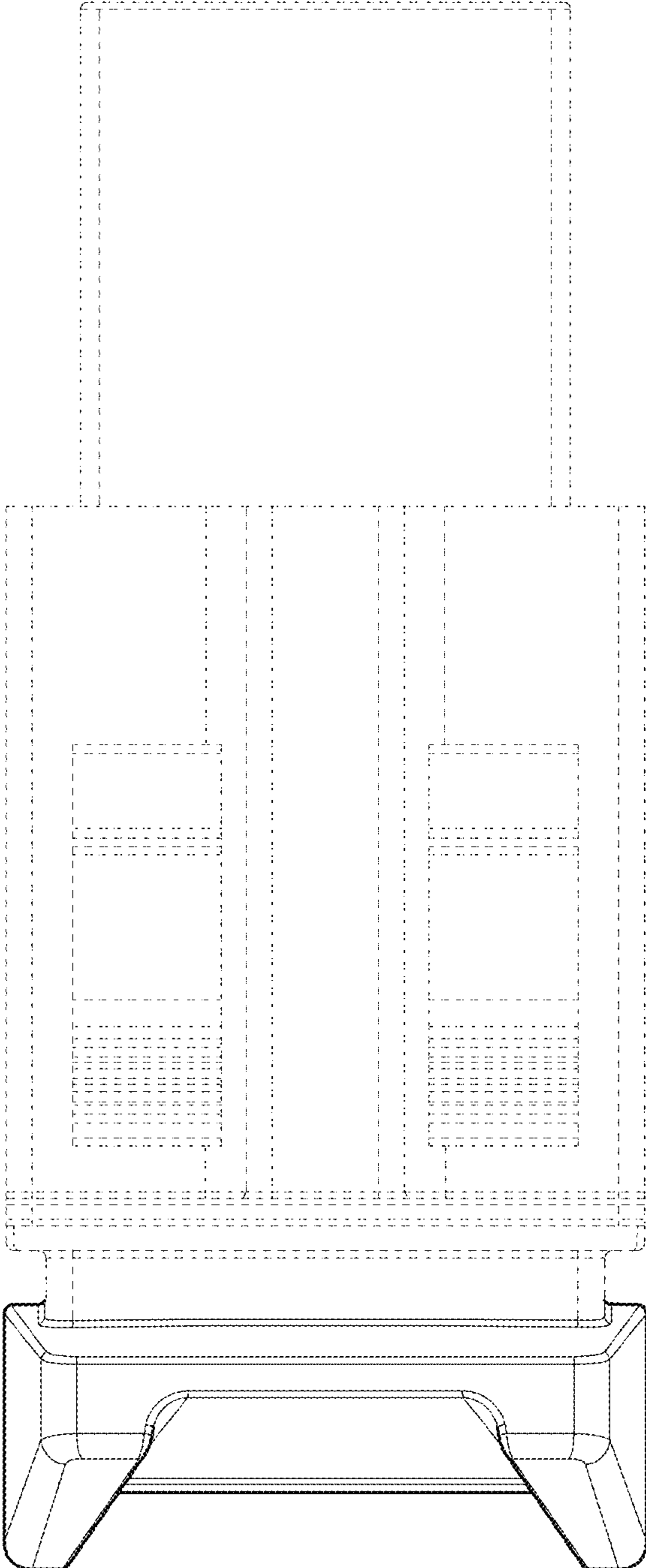


FIG. 8

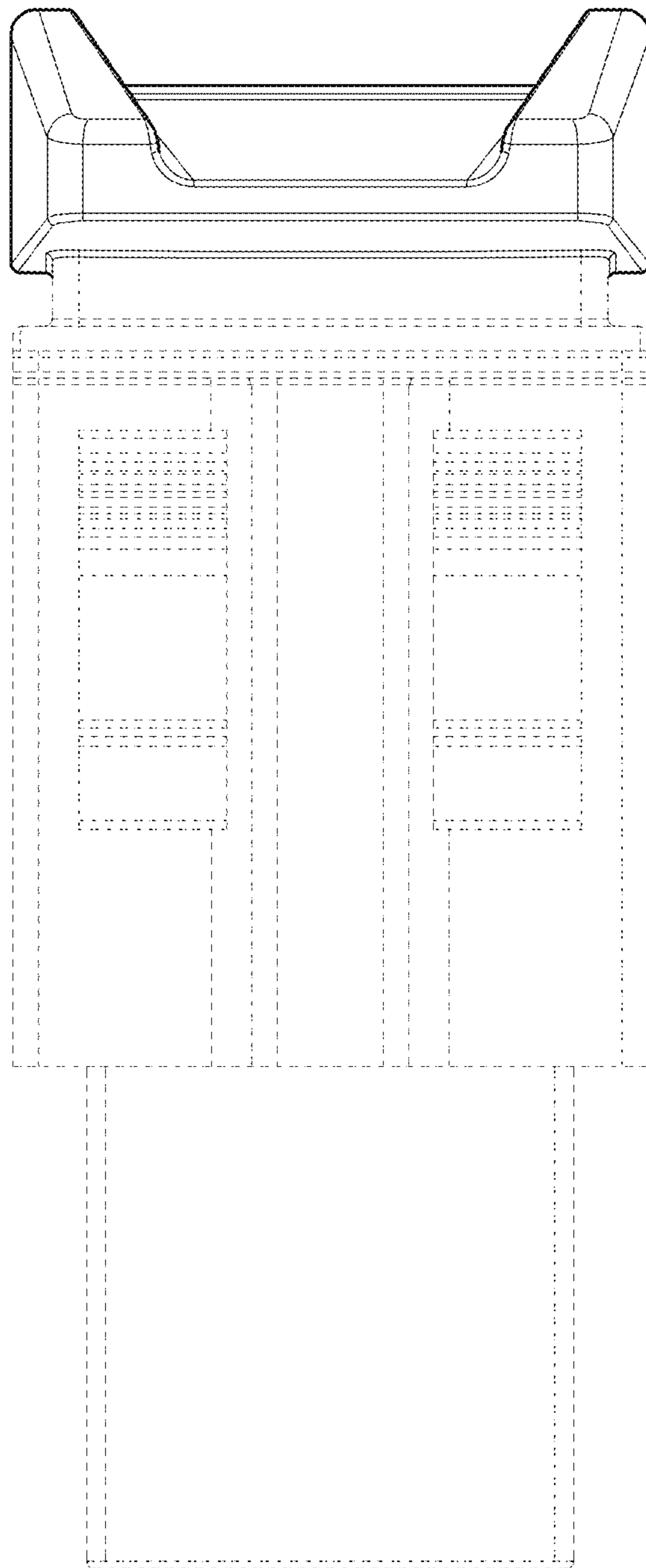


FIG. 9