



US00D835016S

(12) **United States Design Patent**
Suesse

(10) **Patent No.:** **US D835,016 S**
(45) **Date of Patent:** **** Dec. 4, 2018**

(54) **FOLDING MOTORCYCLE MIRROR**

(71) Applicant: **Ned Suesse**, Salida, CO (US)

(72) Inventor: **Ned Suesse**, Salida, CO (US)

(73) Assignee: **Ned Seusse**, Salida, CO (US)

(**) Term: **15 Years**

(21) Appl. No.: **29/587,345**

(22) Filed: **Dec. 13, 2016**

(51) **LOC (11) Cl.** **12-16**

(52) **U.S. Cl.**
USPC **D12/189**

(58) **Field of Classification Search**
USPC D12/189, 187, 188; D6/300, 309
CPC G02B 7/12; G02B 5/08; B60R 1/076
See application file for complete search history.

(56) **References Cited**

U.S. PATENT DOCUMENTS

D346,783 S * 5/1994 Brainard D12/187
D400,482 S * 11/1998 Moir D12/187

D406,088 S * 2/1999 Hanlon D12/187
D576,933 S * 9/2008 Smith D12/187
D690,244 S * 9/2013 Suesse D12/187
D716,209 S * 10/2014 Rigolio D12/187
2002/0067557 A1* 6/2002 Coleburn B60R 1/082
359/842
2011/0140471 A1* 6/2011 Suesse B60R 1/06
296/1.11

* cited by examiner

Primary Examiner — Katrina A Betton

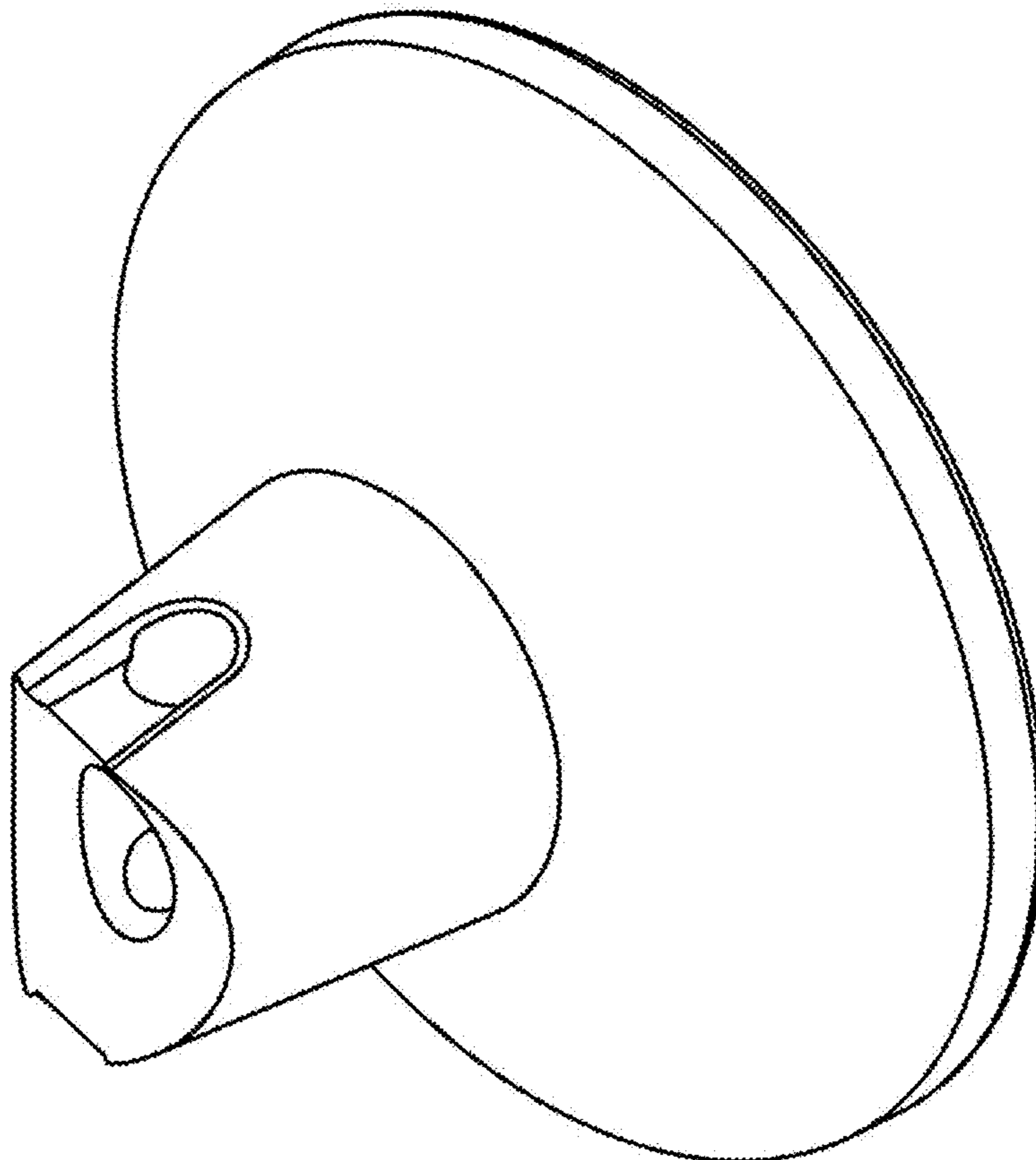
(57) **CLAIM**

The ornamental design for a folding motorcycle mirror, as shown.

DESCRIPTION

FIG. 1 is an angled front view of a motorcycle mirror showing my new design;
FIG. 2 is an angled back view of the motorcycle mirror of FIG. 1;
FIG. 3 is a top view of the motorcycle mirror of FIG. 1;
FIG. 4 is a side view of the motorcycle mirror of FIG. 1; and,
FIG. 5 is a back view of the motorcycle mirror of FIG. 1.

1 Claim, 5 Drawing Sheets



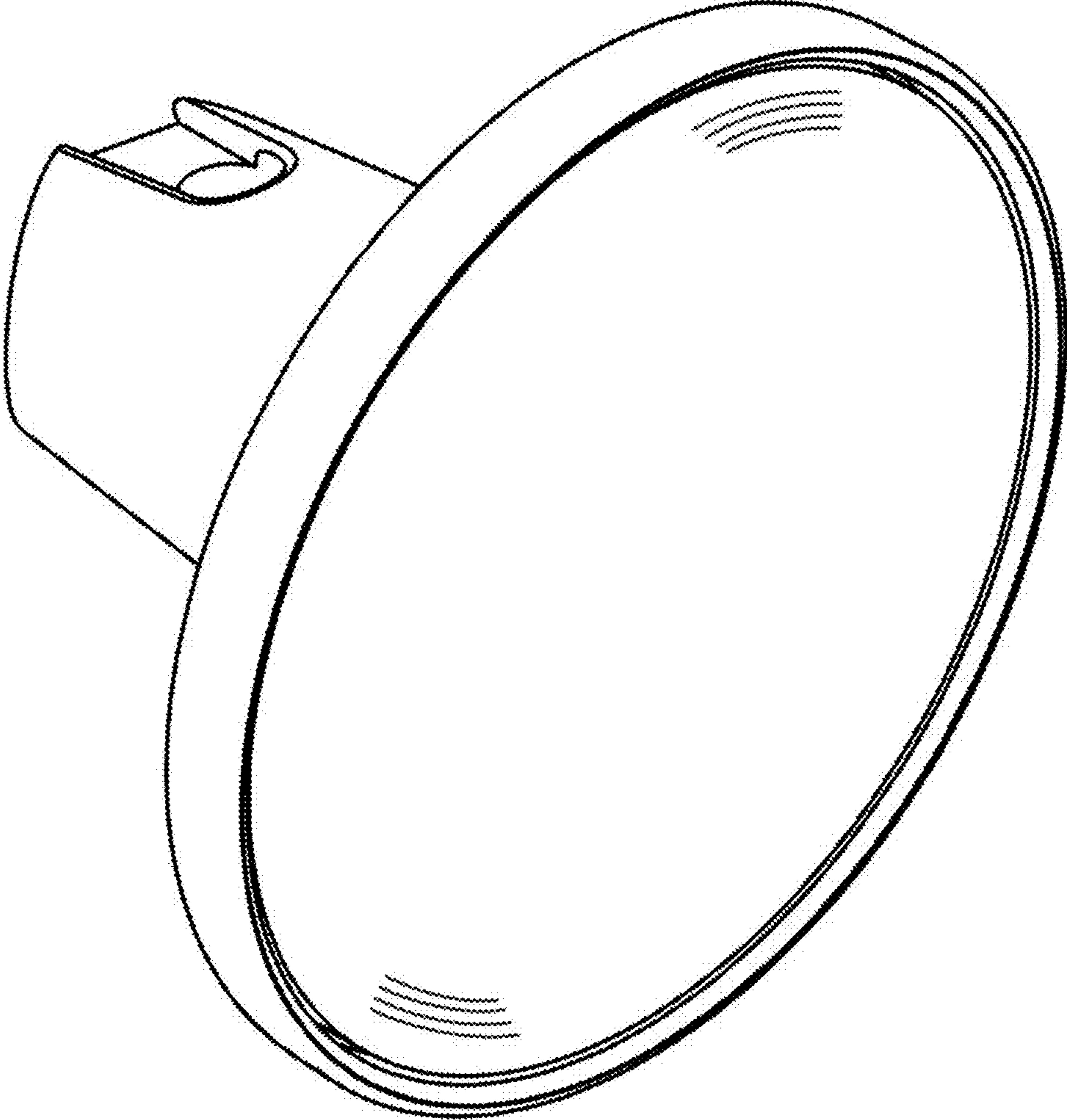


Figure 1

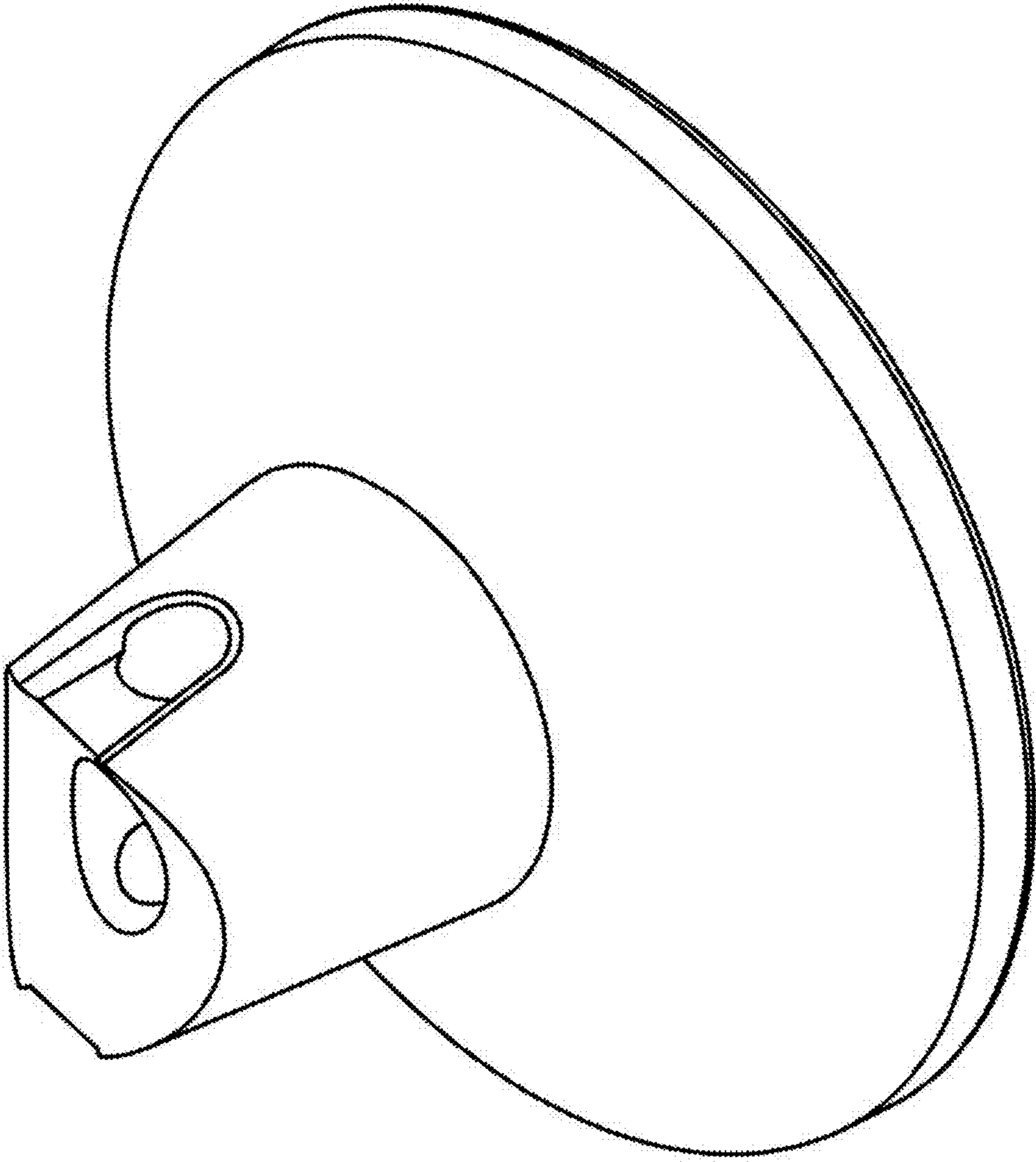


Figure 2

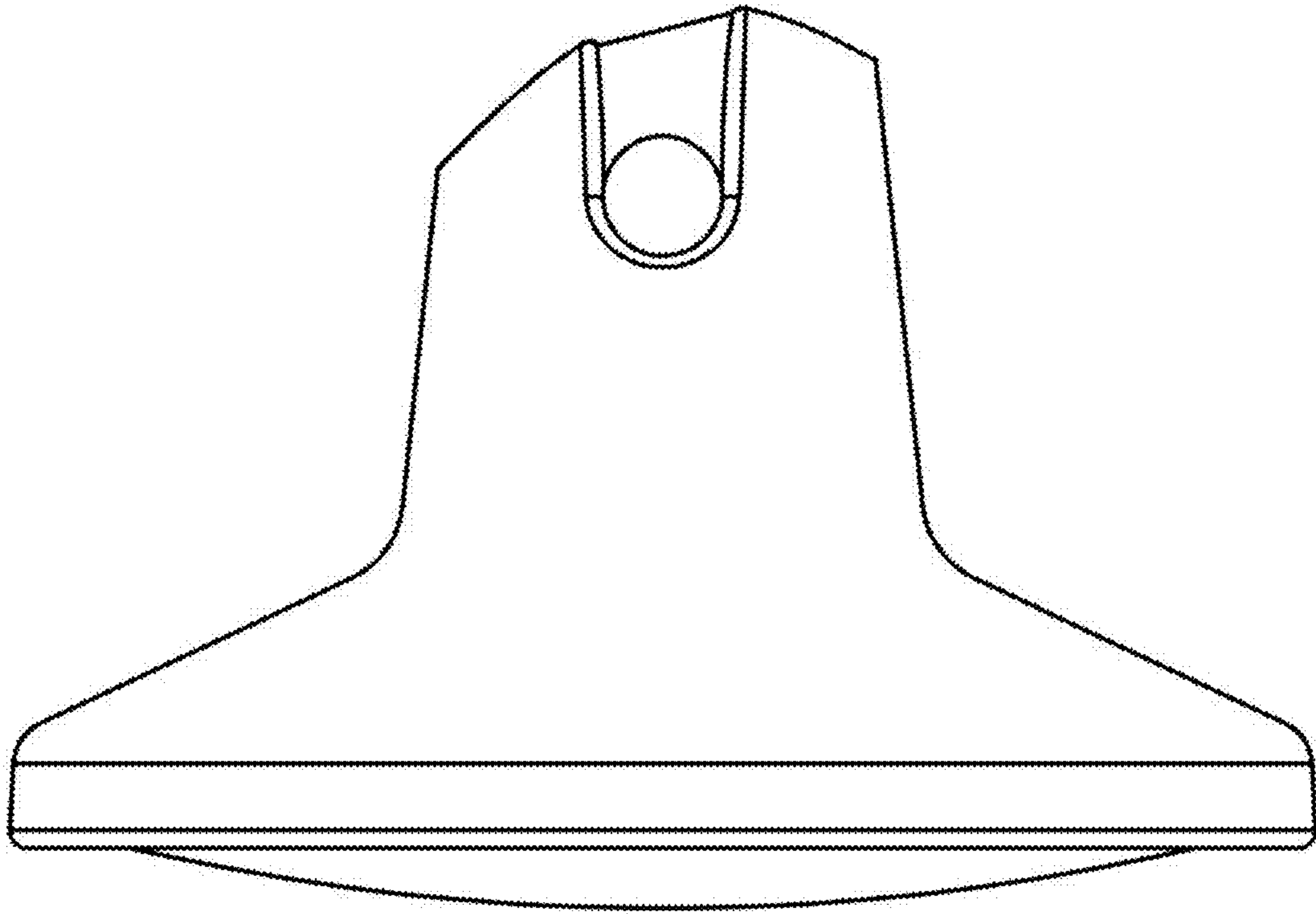


Figure 3

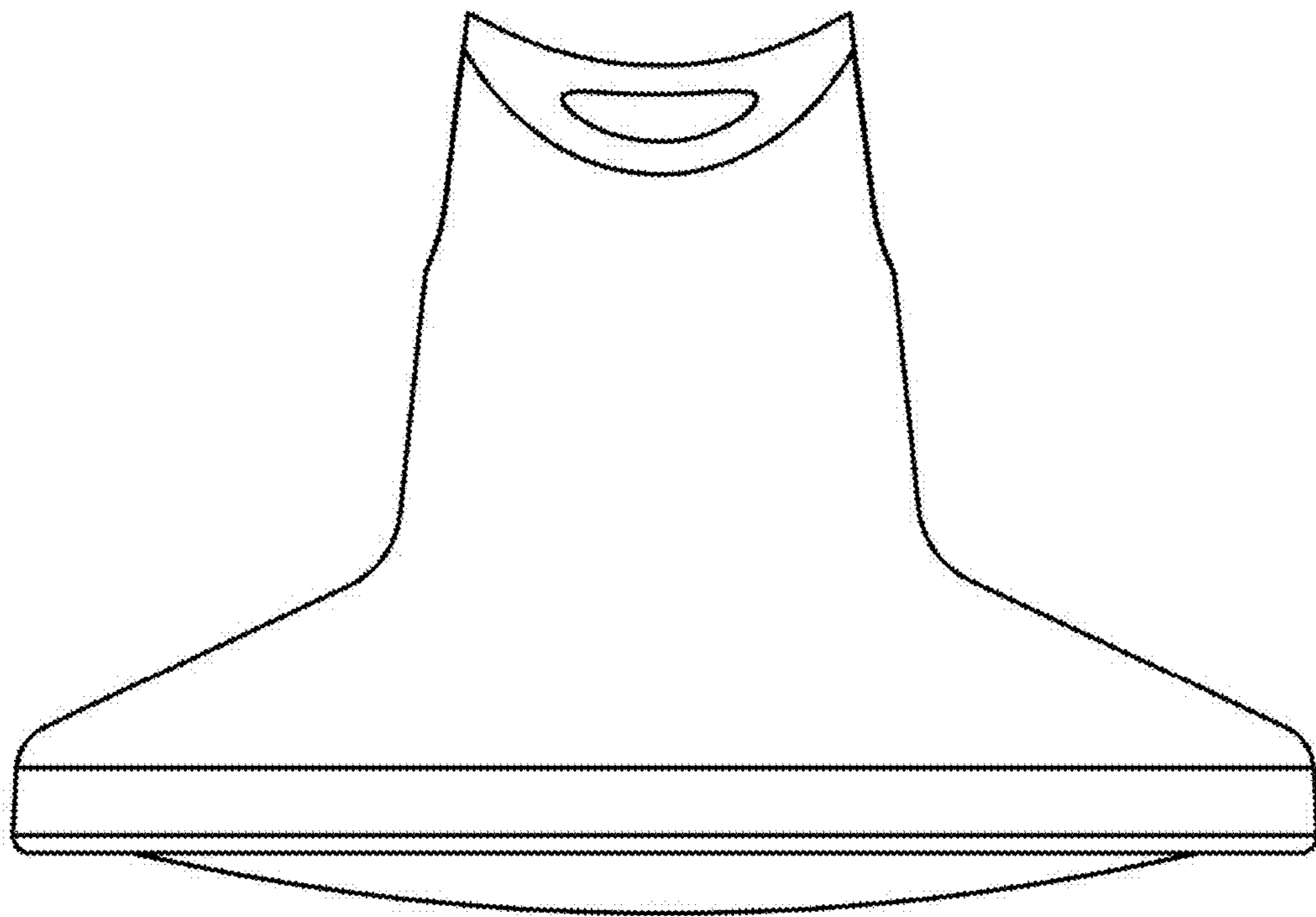


Figure 4

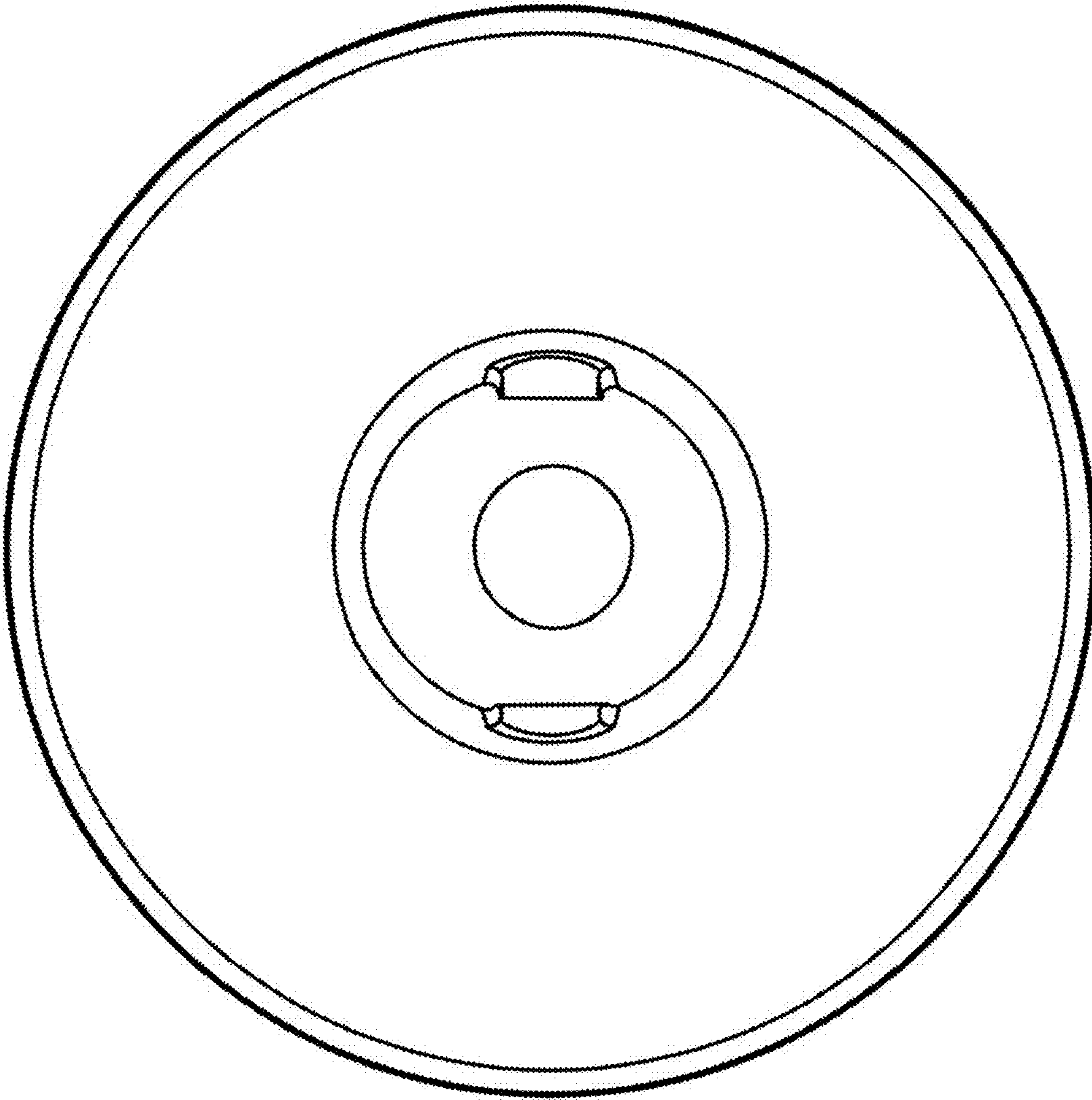


Figure 5