



US00D835015S

(12) **United States Design Patent** (10) **Patent No.:** **US D835,015 S**
Li et al. (45) **Date of Patent:** **** Dec. 4, 2018**

(54) **AUTOMOBILE HOOD**
(71) Applicant: **BYD COMPANY LIMITED**,
Shenzhen, Guangdong (CN)
(72) Inventors: **Leyang Li**, Shenzhen (CN); **Wenquan Tang**, Shenzhen (CN); **Changshu Shangguan**, Shenzhen (CN)
(73) Assignee: **BYD COMPANY LIMITED** (CN)
(**) Term: **15 Years**
(21) Appl. No.: **29/603,731**
(22) Filed: **May 11, 2017**

(30) **Foreign Application Priority Data**
Nov. 15, 2016 (CN) 2016 3 0553332
(51) **LOC (11) Cl.** **12-08**
(52) **U.S. Cl.**
USPC **D12/173**
(58) **Field of Classification Search**
USPC D12/86, 90, 91, 92, 163, 169, 196, 171,
D12/216
CPC . B60R 19/52; B60R 2019/525; B60K 11/085;
B62D 25/084; H01Q 1/32
See application file for complete search history.

(56) **References Cited**
U.S. PATENT DOCUMENTS
D422,252 S * 4/2000 Sacco D12/173
6,293,362 B1 * 9/2001 Sasaki E05B 77/08
180/274
D495,631 S * 9/2004 Metros D12/173
D496,611 S * 9/2004 Kneefel D12/173
D718,686 S * 12/2014 Hammoud D12/173
D777,620 S * 1/2017 Pevovar D12/173
D779,399 S * 2/2017 Bucher D12/173
D787,387 S * 5/2017 Curic D12/173

D787,389 S * 5/2017 Wolff D12/173
D790,415 S * 6/2017 Woolley D12/173
D808,310 S * 1/2018 Zavatski D12/173
D808,311 S * 1/2018 Piscitelli D12/173
D813,121 S * 3/2018 Swanseger D12/173
2002/0033294 A1 * 3/2002 Ishizaki B60R 21/0136
180/274
2005/0211484 A1 * 9/2005 Ellerman B62D 25/16
180/69.2
2007/0102219 A1 * 5/2007 Park B60R 21/38
180/274
2008/0185871 A1 * 8/2008 Ishiyama B60R 21/34
296/187.04
2013/0270870 A1 * 10/2013 O'Brien B62D 25/10
296/193.11
2017/0232926 A1 * 8/2017 Barbat B60R 21/38
180/274
2017/0355400 A1 * 12/2017 Weston B60R 13/005

* cited by examiner
Primary Examiner — Susan Bennett Hattan
Assistant Examiner — Suzanne E Tisdell
(74) *Attorney, Agent, or Firm* — Calfee, Halter & Griswold LLP

(57) **CLAIM**
We claim the ornamental design for an automobile hood, as shown and described.

DESCRIPTION
FIG. 1 is a front view of an automobile hood;
FIG. 2 is a rear view thereof;
FIG. 3 is a left view thereof;
FIG. 4 is a right view thereof;
FIG. 5 is a top view thereof;
FIG. 6 is a bottom view thereof; and,
FIG. 7 is a perspective view thereof.
Broken lines in the figures show portions of the automobile hood that form no part of the claimed design.

1 Claim, 4 Drawing Sheets

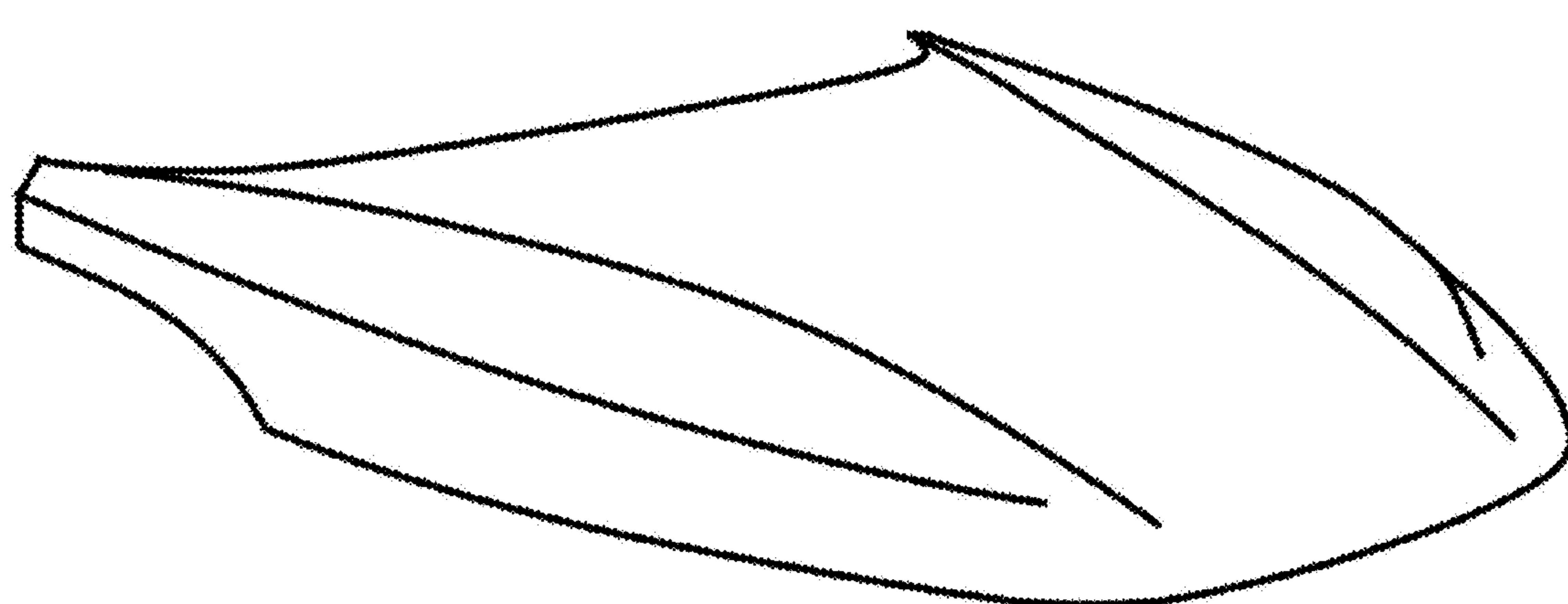




Fig.1

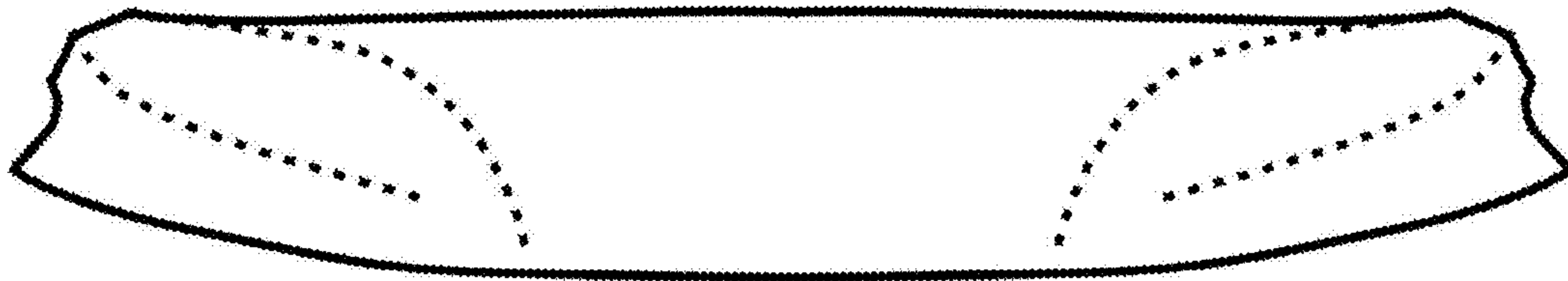


Fig.2



Fig.3



Fig.4

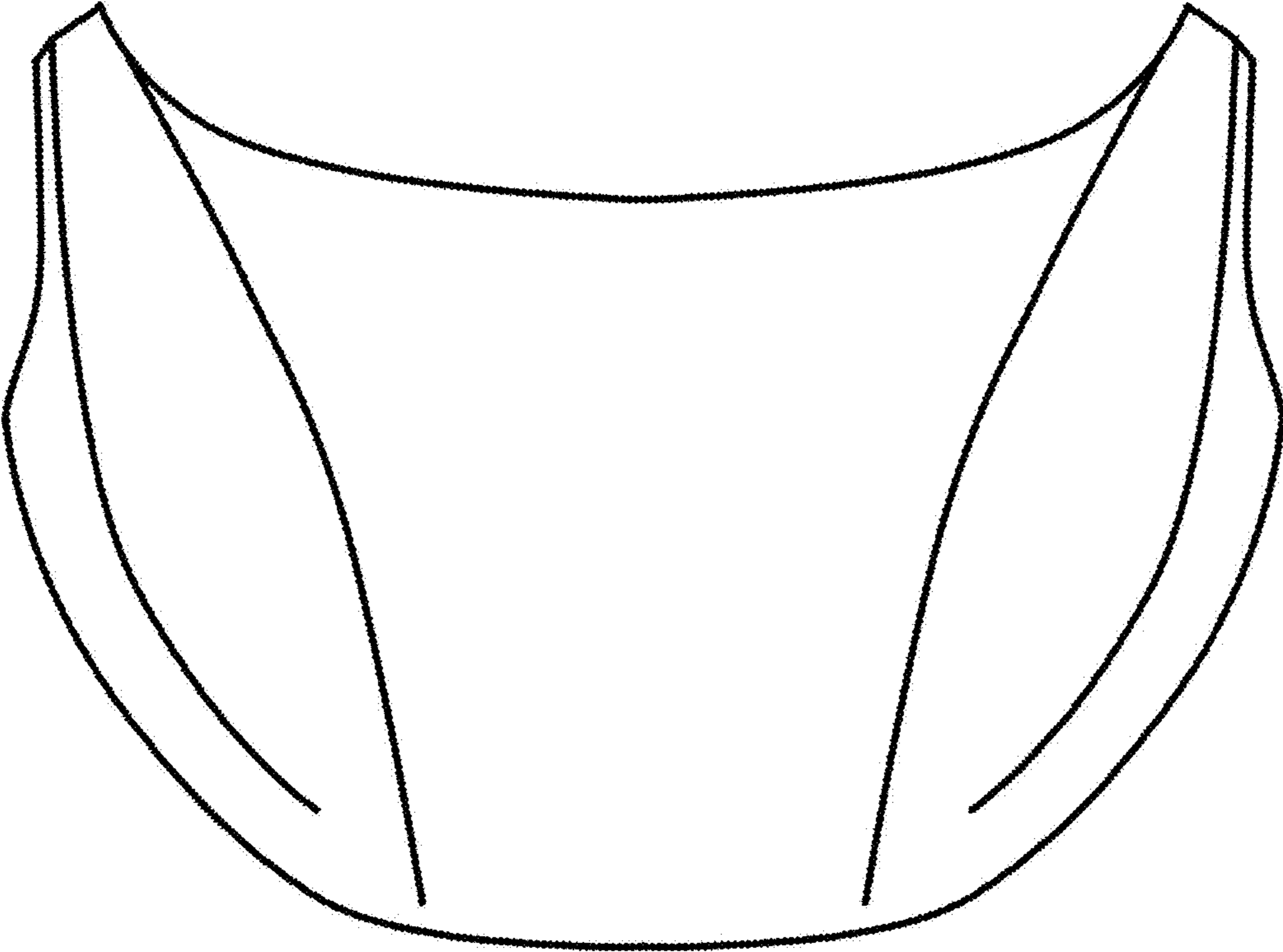


Fig.5

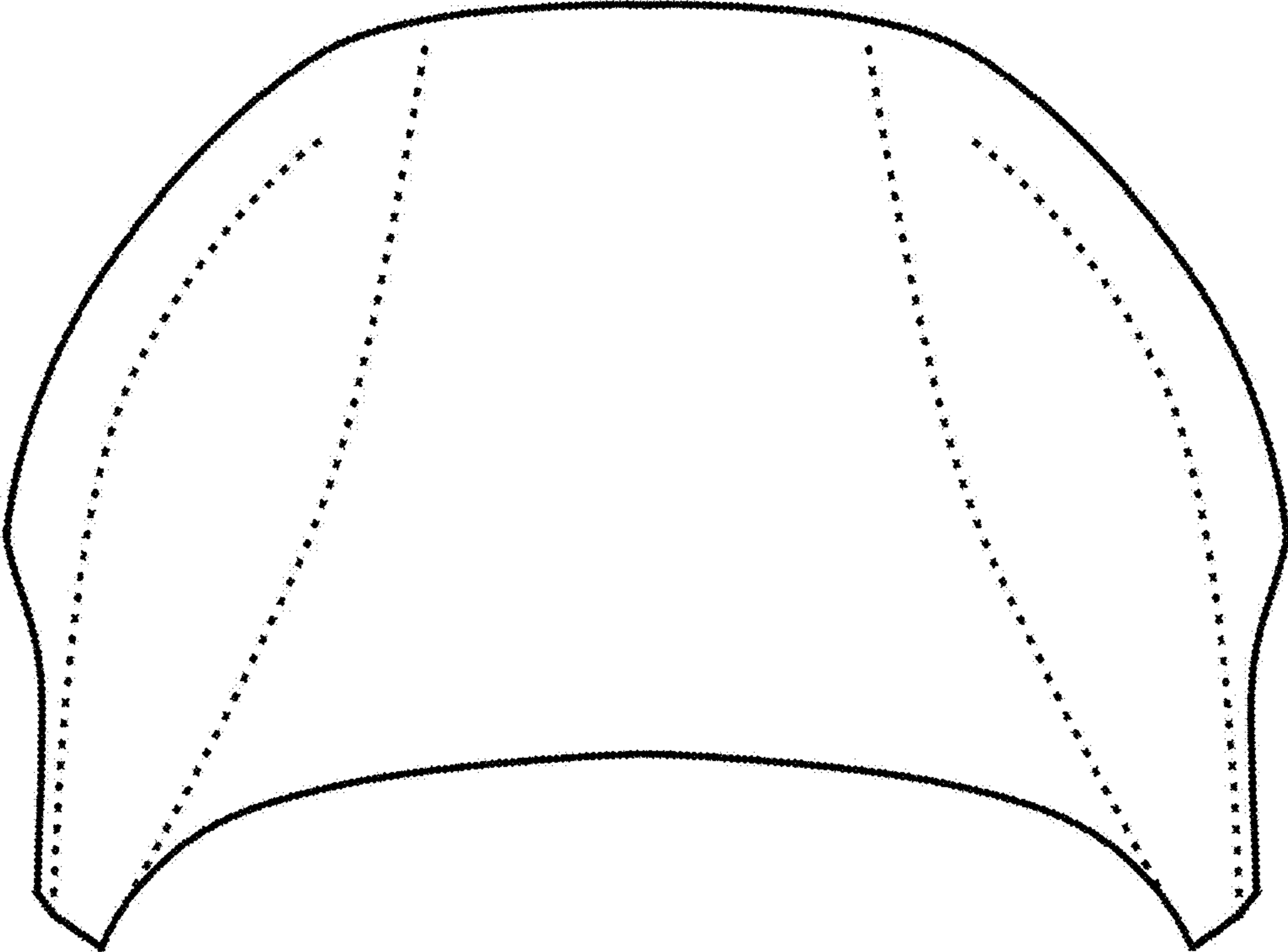


Fig.6

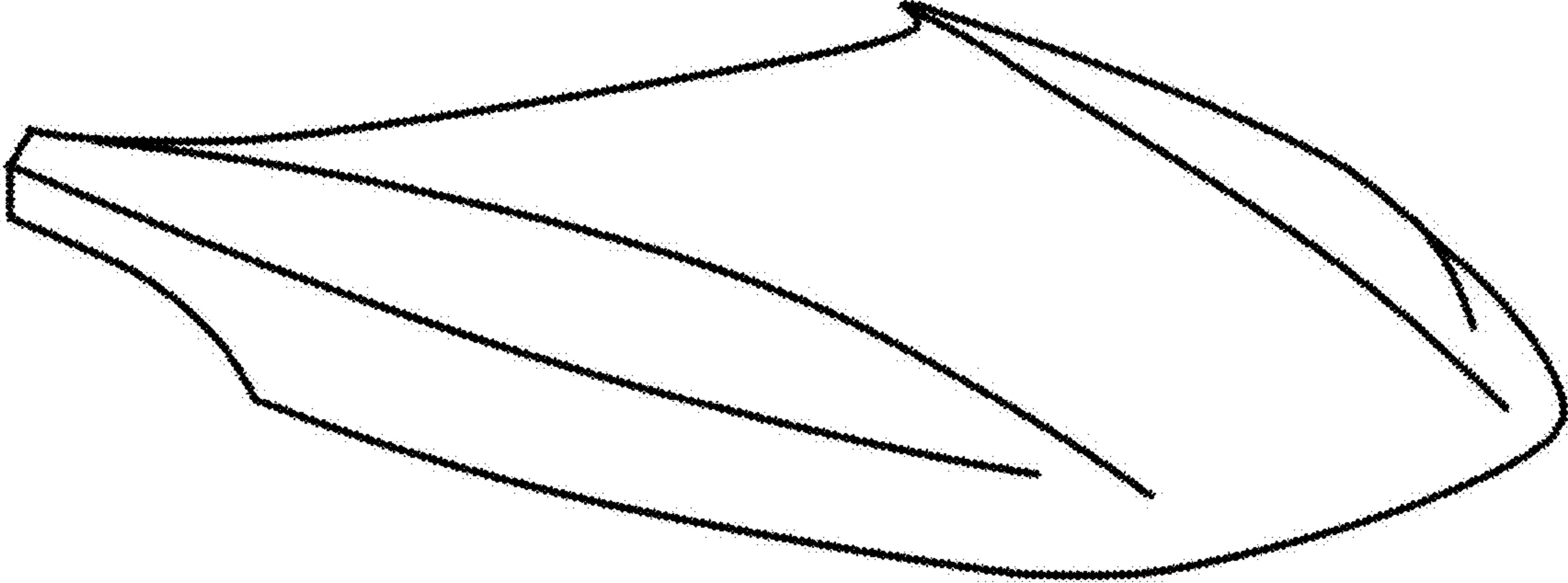


Fig.7