



US00D835013S

(12) **United States Design Patent** (10) **Patent No.:** **US D835,013 S**  
**Frascella** (45) **Date of Patent:** **\*\* Dec. 4, 2018**

(54) **FRONT BUMPER**  
(71) Applicant: **Jaguar Land Rover Limited**, Whitley, Coventry (GB)  
(72) Inventor: **Massimo Frascella**, Whitley (GB)  
(73) Assignee: **Jaguar Land Rover Limited**, Whitley, Coventry (GB)  
(\*\*) Term: **15 Years**  
(21) Appl. No.: **29/591,462**  
(22) Filed: **Jan. 20, 2017**

(30) **Foreign Application Priority Data**  
Jul. 20, 2016 (EM) ..... 003313444-0001  
Jul. 20, 2016 (EM) ..... 03313444-0002  
Aug. 18, 2016 (EM) ..... 003345636-0001  
Aug. 18, 2016 (EM) ..... 003345636-0002  
(51) **LOC (11) Cl.** ..... **12-16**  
(52) **U.S. Cl.**  
USPC ..... **D12/169**  
(58) **Field of Classification Search**  
USPC .... D12/169, 216, 90-92, 86, 171, 196, 163;  
293/102, 113, 115, 117, 120; 296/180.1,  
296/180.2  
CPC ..... B60R 19/02; B60R 19/04; B62D 25/08  
See application file for complete search history.

(56) **References Cited**  
**U.S. PATENT DOCUMENTS**  
D705,706 S \* 5/2014 Kawasaki ..... D12/169  
D706,171 S \* 6/2014 Bischoff ..... D12/91  
D716,695 S \* 11/2014 Woolley ..... D12/91  
D718,188 S \* 11/2014 Wheel ..... D12/91  
D718,681 S \* 12/2014 Allen ..... D12/169  
D730,788 S \* 6/2015 Howell ..... D12/169  
D735,610 S \* 8/2015 Wheel ..... D12/91

D736,683 S \* 8/2015 Glover ..... D12/169  
D749,474 S \* 2/2016 Battams ..... D12/169  
D752,481 S \* 3/2016 Frascella ..... D12/91  
D753,557 S \* 4/2016 Frascella ..... D12/169  
D762,142 S \* 7/2016 Battams ..... D12/91  
D782,937 S \* 4/2017 Wheel ..... D12/91  
D784,855 S \* 4/2017 Wheel ..... D12/91  
D786,747 S \* 5/2017 Woolley ..... D12/169  
D791,645 S \* 7/2017 Henstridge ..... D12/91  
D793,907 S \* 8/2017 Woolley ..... D12/91  
D807,800 S \* 1/2018 Wheel ..... D12/169

(Continued)

*Primary Examiner* — Melody N Brown  
(74) *Attorney, Agent, or Firm* — Wood Herron & Evans LLP

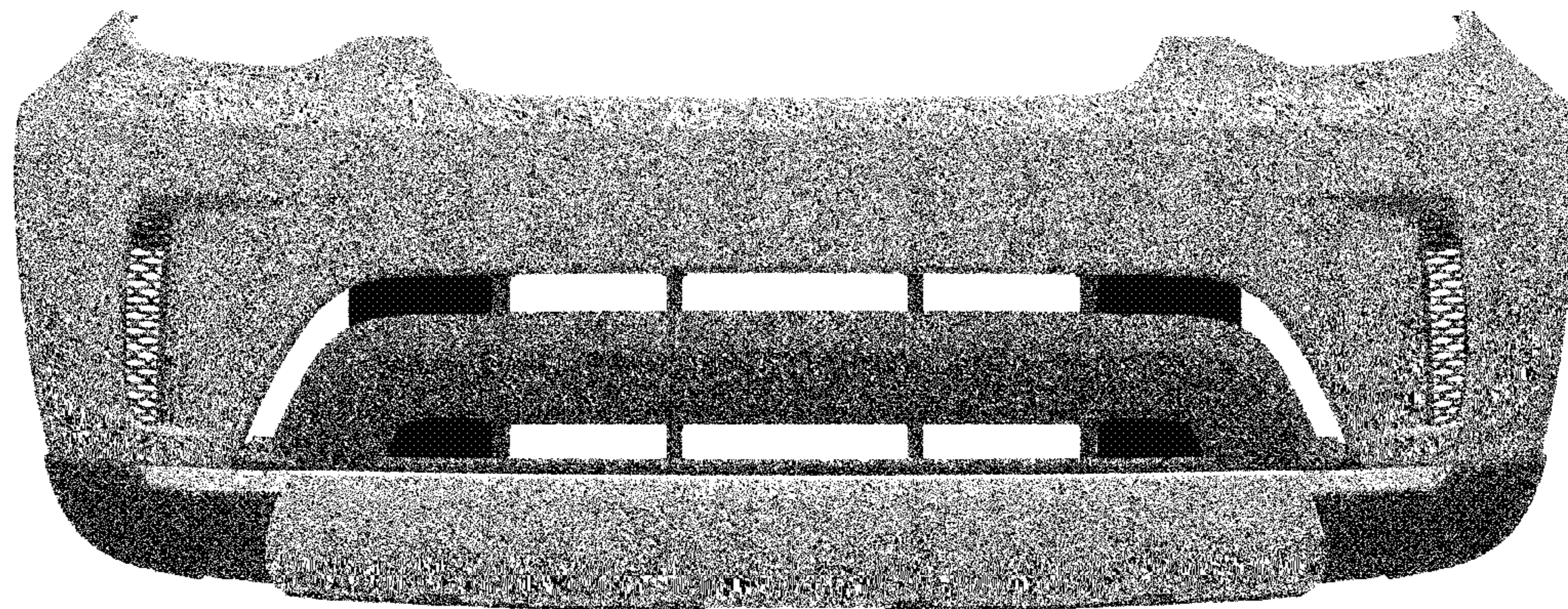
(57) **CLAIM**

The ornamental design for a front bumper, as shown and described.

**DESCRIPTION**

FIG. 1 is a right, front perspective view of a front bumper showing my new design;  
FIG. 2 is a left, front perspective view thereof;  
FIG. 3 is a left, rear perspective view thereof;  
FIG. 4 is a right, rear perspective view thereof;  
FIG. 5 is a front view thereof;  
FIG. 6 is a rear view thereof;  
FIG. 7 is a left side view thereof;  
FIG. 8 is a right side view thereof;  
FIG. 9 is a top view thereof; and,  
FIG. 10 is another left, front perspective view thereof shown on a vehicle.  
The portions of the vehicle shown in the FIG. 10 drawing view in de-emphasized and half-tone portions outside the broken lines and the broken lines representing the boundary and configuration of what is claimed as the design are for environmental and illustrative purposes only and form no part of the claimed design.

**1 Claim, 10 Drawing Sheets**





(56)

**References Cited**

U.S. PATENT DOCUMENTS

D817,817 S \* 5/2018 Frascella ..... D12/91  
D818,399 S \* 5/2018 Frascella ..... D12/91

\* cited by examiner



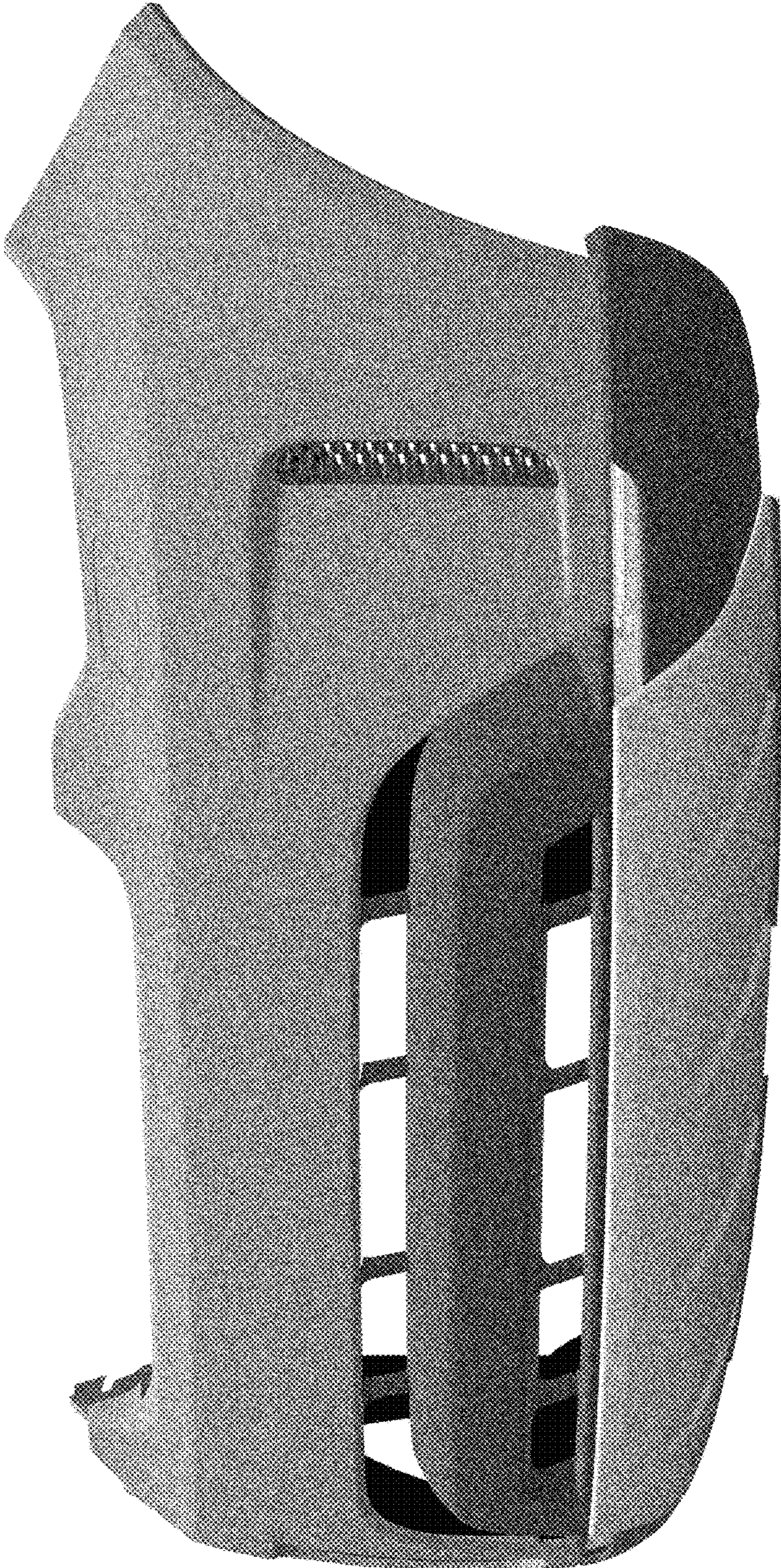


FIG. 1



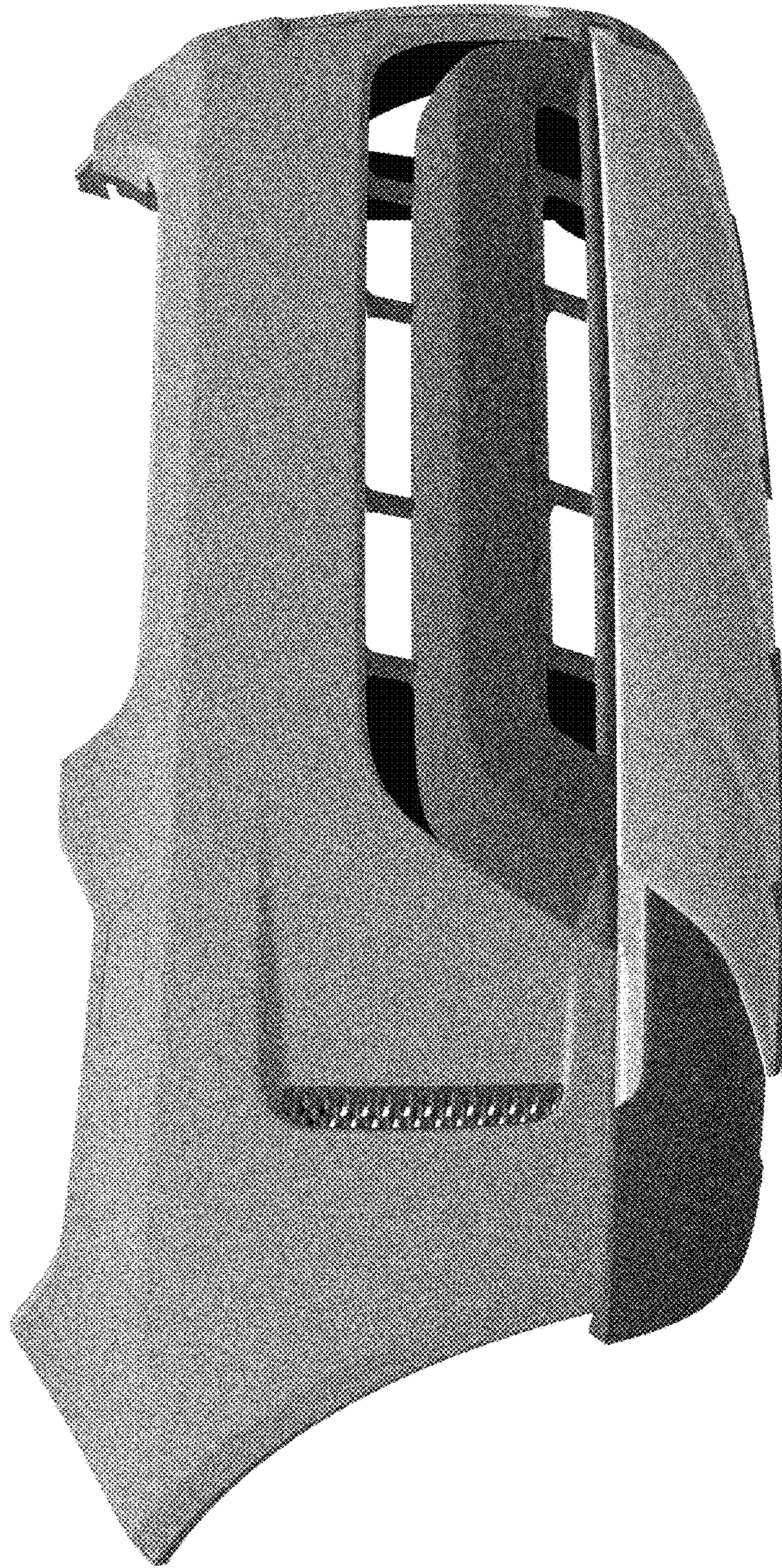


FIG. 2



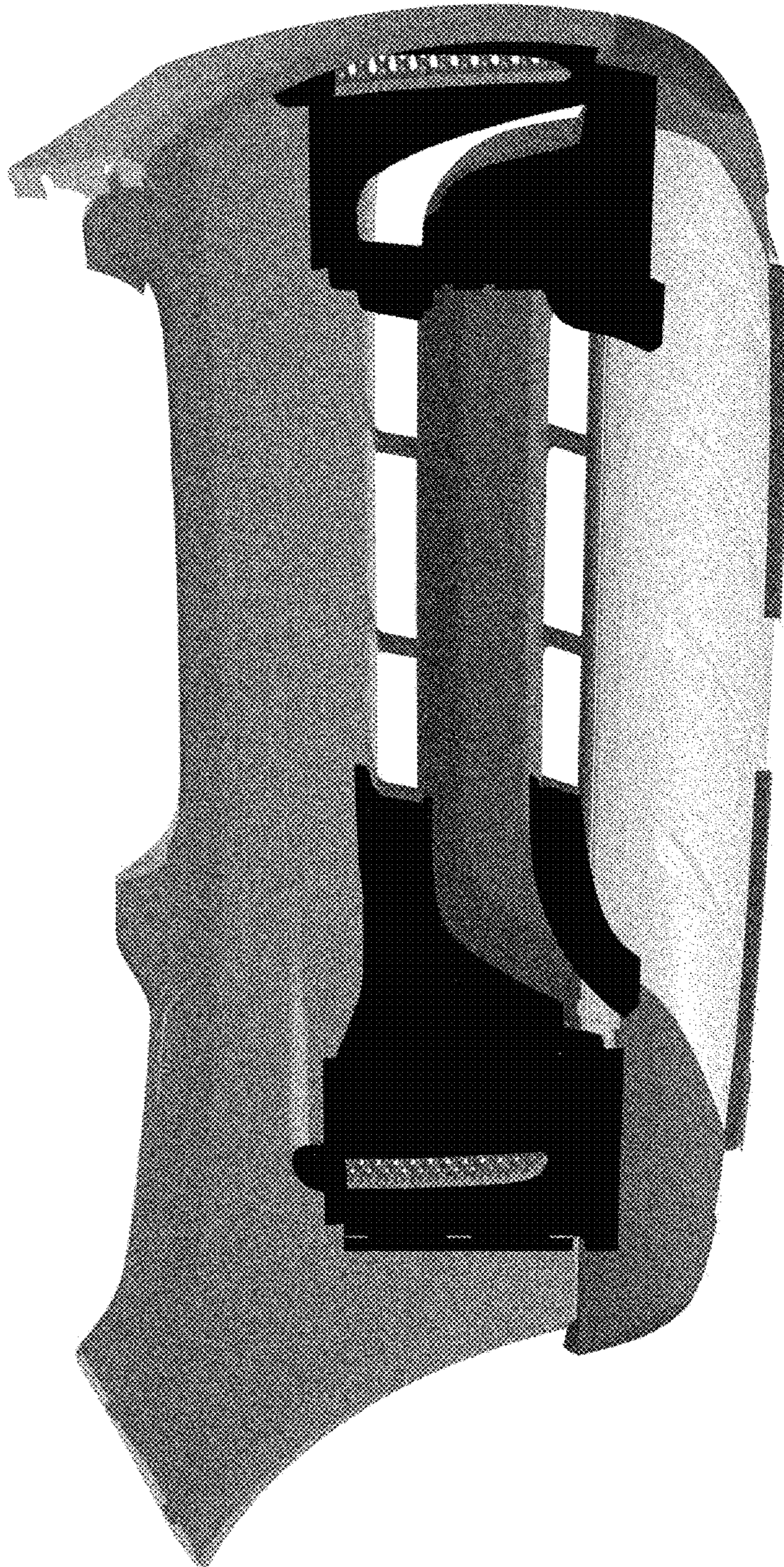


FIG. 3



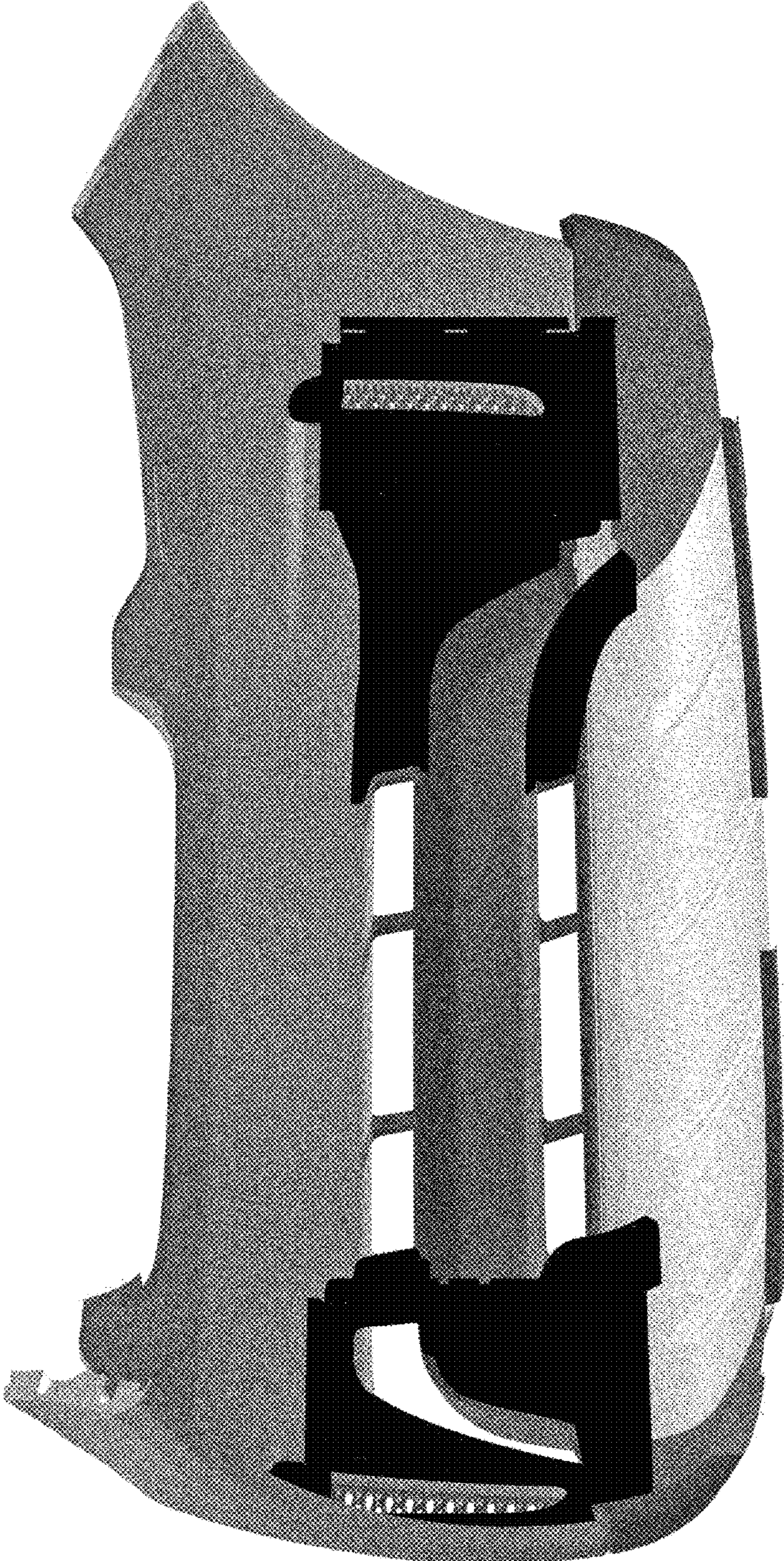


FIG. 4



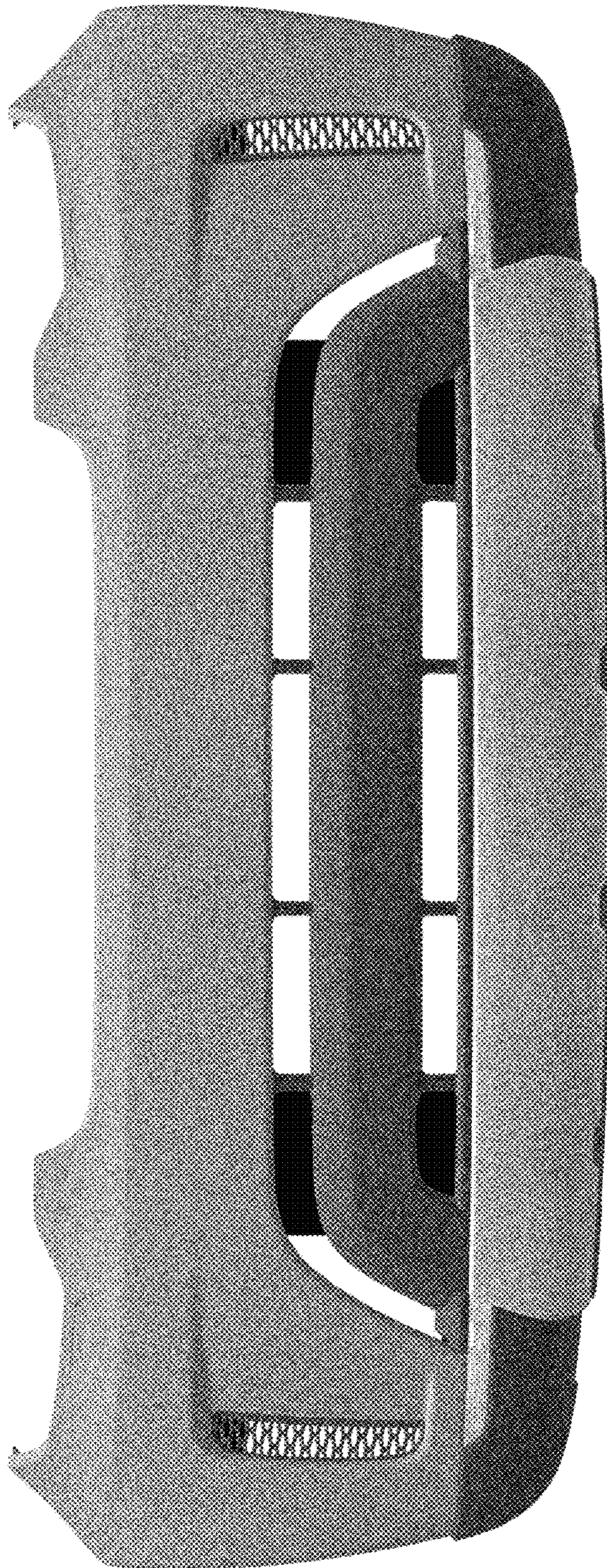


FIG. 5



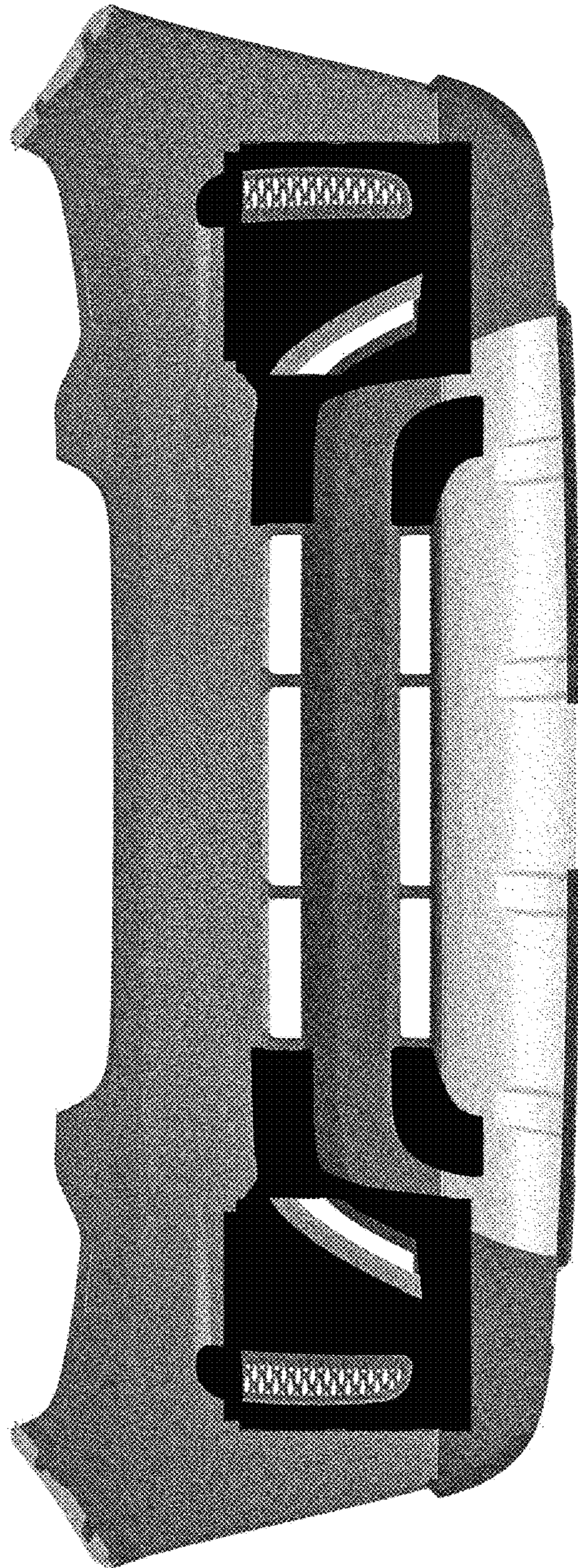


FIG. 6



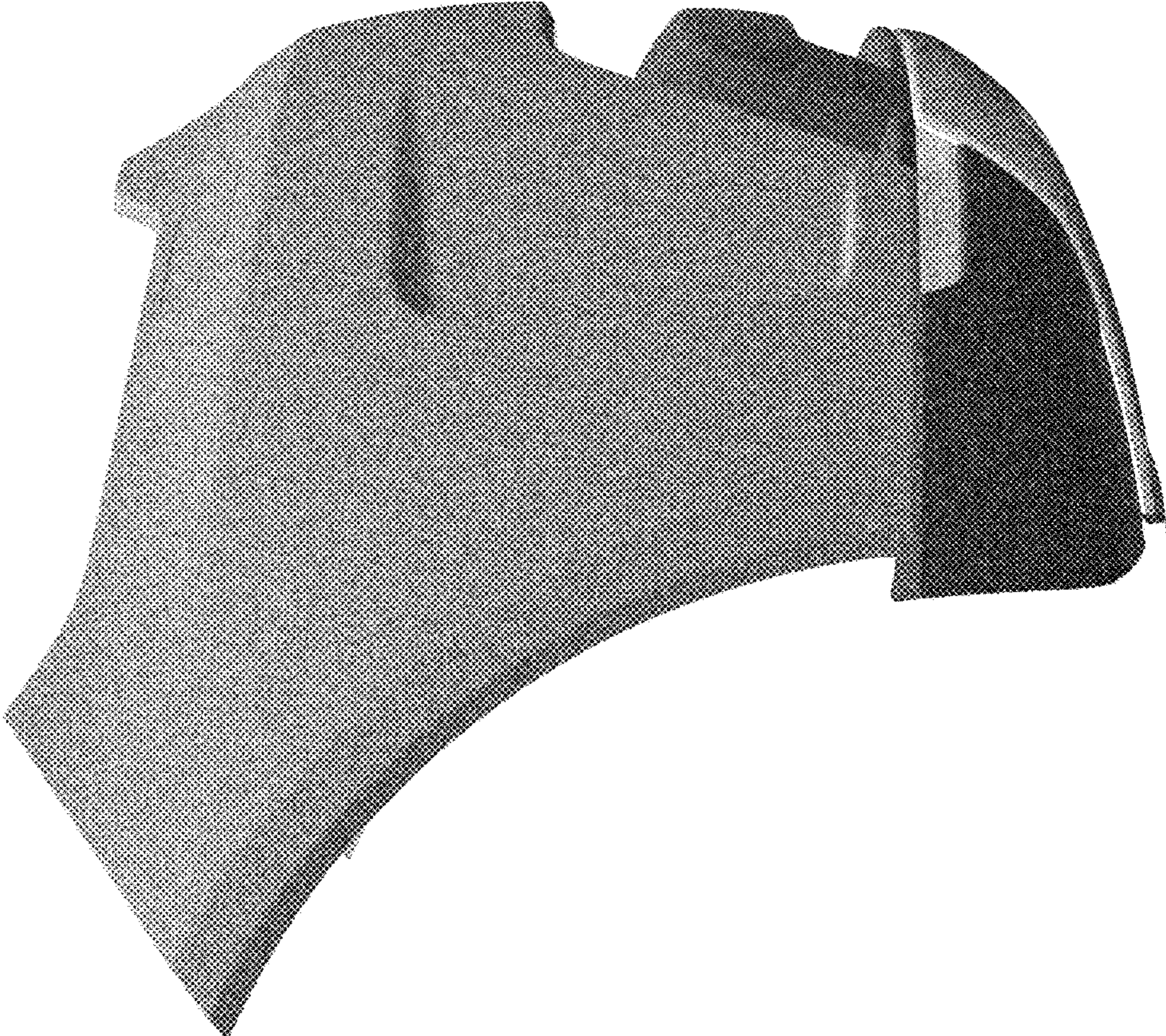


FIG. 7



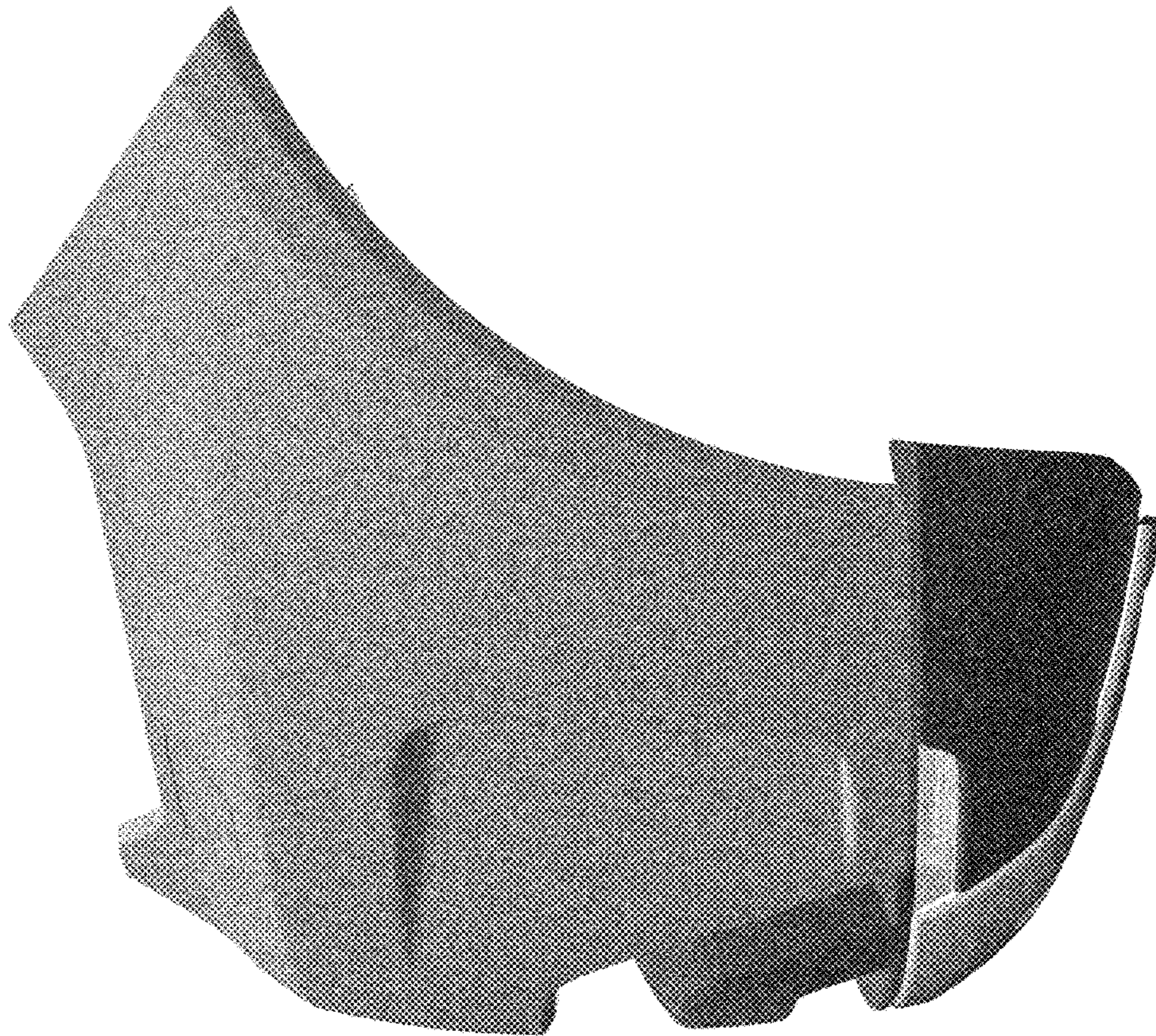


FIG. 8



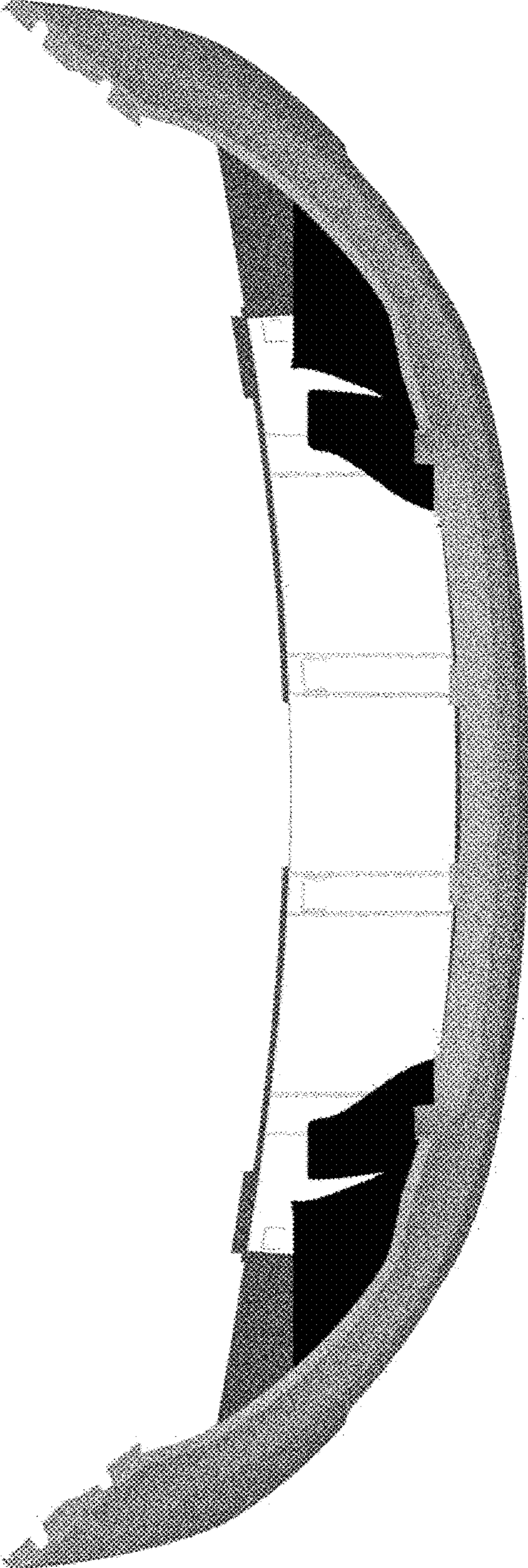


FIG. 9



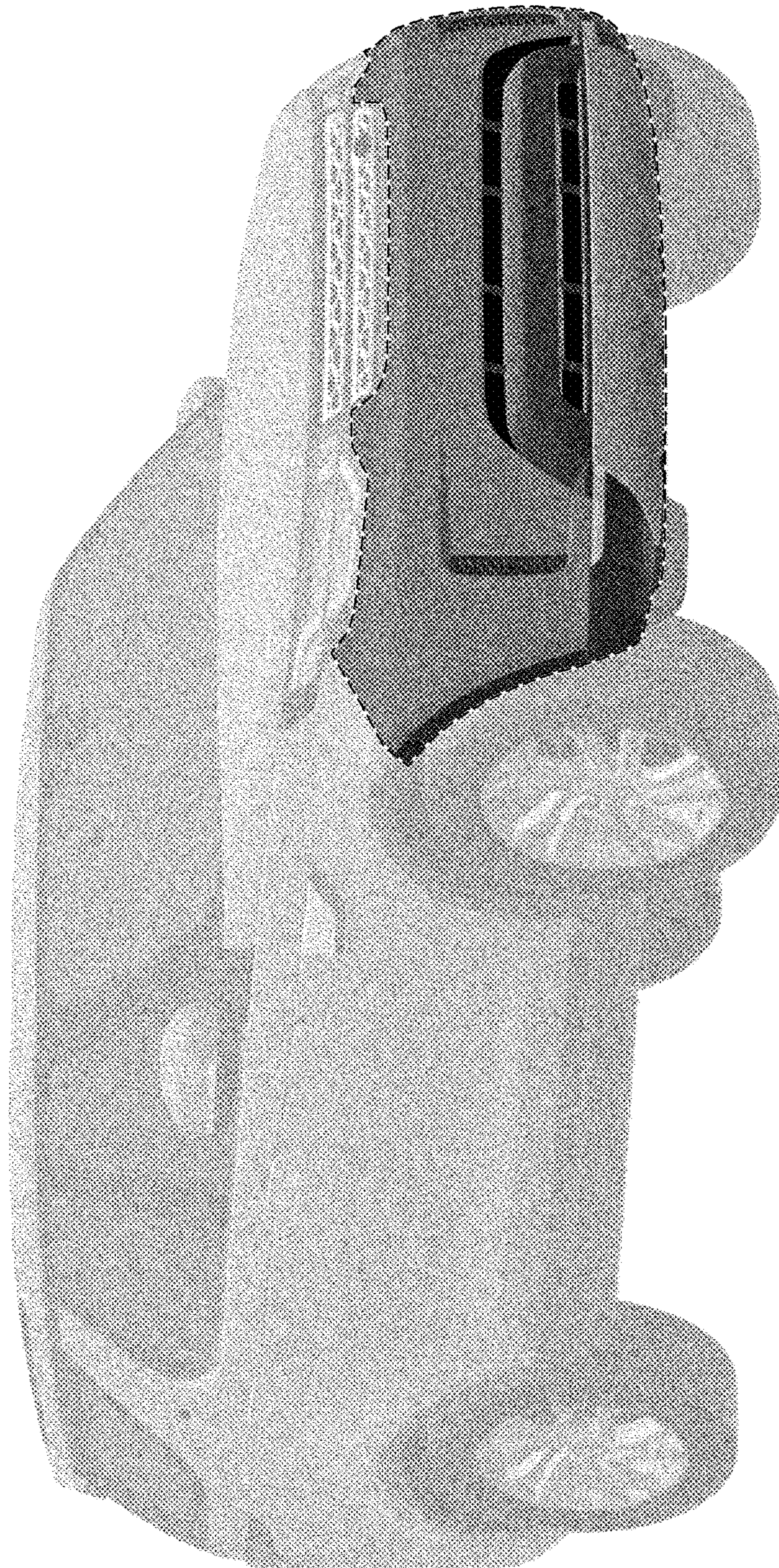


FIG. 10