



US00D835010S

(12) **United States Design Patent** (10) **Patent No.:** **US D835,010 S**
Kaufman et al. (45) **Date of Patent:** **** Dec. 4, 2018**

(54) **PORTABLE FRAME**

(71) Applicant: **Henry R. Kaufman**, New York, NY (US)

(72) Inventors: **Henry R. Kaufman**, New York, NY (US); **Meryl L. Unger**, New York, NY (US)

(73) Assignee: **Henry R. Kaufman**, New York, NY (US)

(**) Term: **15 Years**

(21) Appl. No.: **29/627,996**

(22) Filed: **Nov. 30, 2017**

Related U.S. Application Data

(63) Continuation of application No. 15/813,769, filed on Nov. 15, 2017.

(51) **LOC (11) Cl.** **12-12**

(52) **U.S. Cl.**
USPC **D12/130**

(58) **Field of Classification Search**
USPC D12/130, 133

(Continued)

(56) **References Cited**

U.S. PATENT DOCUMENTS

D179,394 S * 12/1956 Mills 4/254
5,116,294 A * 5/1992 Findlay A63B 21/153
482/127

(Continued)

FOREIGN PATENT DOCUMENTS

FR 2 857 856 A1 1/2005
FR 2 865-932 A1 8/2005
WO WO-2018/093905 A1 5/2018

OTHER PUBLICATIONS

International Search Report dated Jan. 29, 2018, for PCT Application No. PCT/US2017/061807, filed Nov. 15, 2017, 6 pages.

(Continued)

Primary Examiner — Charles D Hanson

(74) *Attorney, Agent, or Firm* — Mintz Levin Cohn Ferris Glovsky and Popeo, P.C.; Muriel Liberto, Esq.

(57) **CLAIM**

The ornamental design for a portable frame, as shown and described.

DESCRIPTION

FIG. 1 is a top, left-side, rear perspective view of a portable frame in an open configuration;

FIG. 2 is a back elevation view of the portable frame of FIG. 1;

FIG. 3 is a front elevation view of the portable frame of FIG. 1;

FIG. 4 is a left-side elevation view of the portable frame of FIG. 1;

FIG. 5 is a right-side elevation view of the portable frame of FIG. 1;

FIG. 6 is a top plan view of the portable frame of FIG. 1;

FIG. 7 is a bottom plan view of the portable frame of FIG. 1;

FIG. 8 is a top, left-side, rear perspective view of the portable frame of FIG. 1 in a closed configuration;

FIG. 9 is a back elevation view of the portable frame of FIG. 8;

FIG. 10 is a front elevation view of the portable frame of FIG. 8;

FIG. 11 is a left-side elevation view of the portable frame of FIG. 8;

FIG. 12 is a right-side elevation view of the portable frame of FIG. 8;

FIG. 13 is a top plan view of the portable frame of FIG. 8;

FIG. 14 is a bottom plan view of the portable frame of FIG. 8;

FIG. 15 is a top, left-side, rear perspective view of a portable frame in an open configuration, according to another embodiment;

FIG. 16 is a back elevation view of the portable frame of FIG. 15;

FIG. 17 is a front elevation view of the portable frame of FIG. 15;

(Continued)

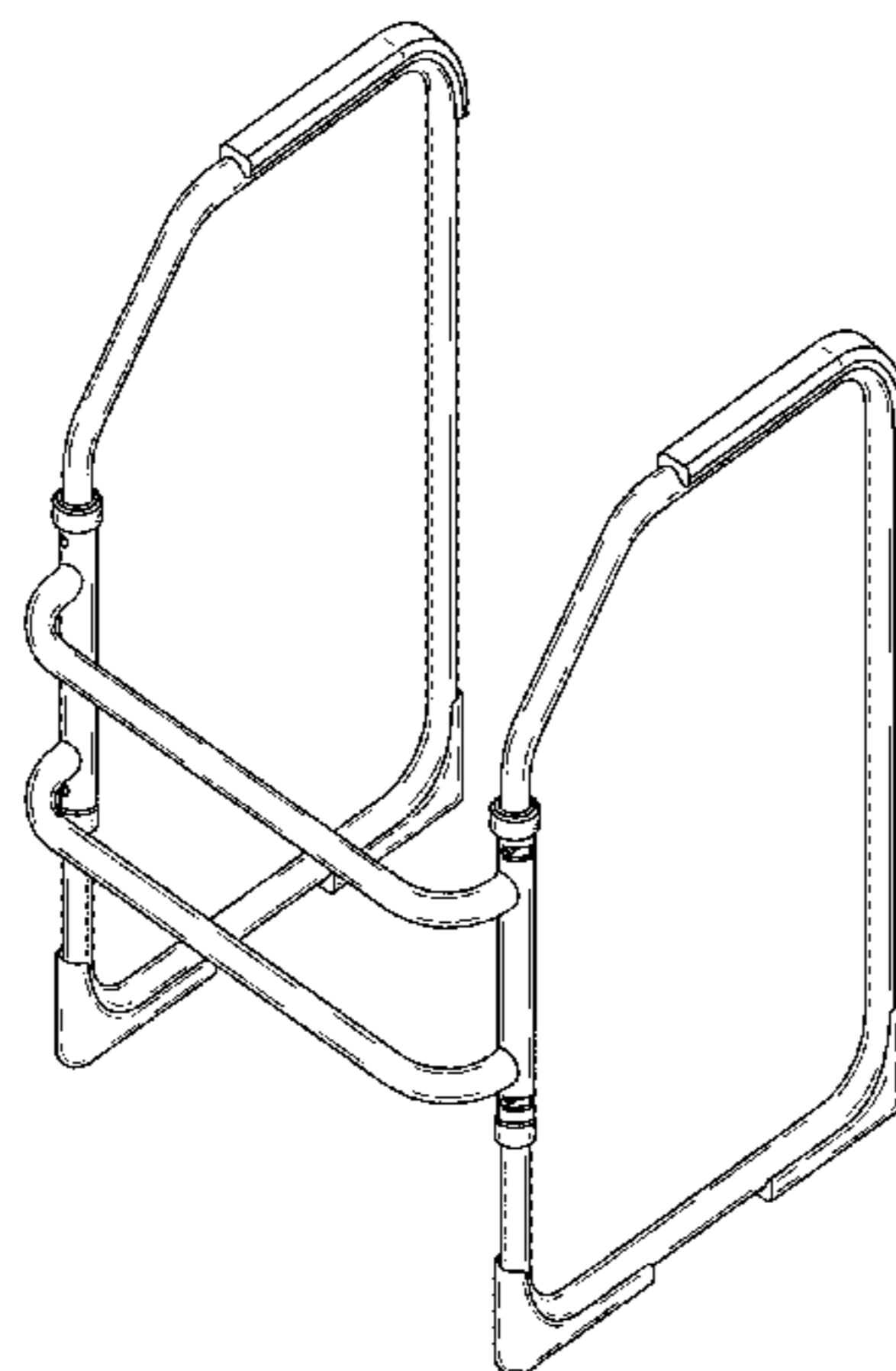


FIG. 18 is a left-side elevation view of the portable frame of FIG. 15;
 FIG. 19 is a right-side elevation view of the portable frame of FIG. 15;
 FIG. 20 is a top plan view of the portable frame of FIG. 15;
 FIG. 21 is a bottom plan view of the portable frame of FIG. 15;
 FIG. 22 is a top, left-side, rear perspective view of the portable frame of FIG. 15 in a closed configuration;
 FIG. 23 is a back elevation view of the portable frame of FIG. 15;
 FIG. 24 is a front elevation view of the portable frame of FIG. 15;
 FIG. 25 is a left-side elevation view of the portable frame of FIG. 15;
 FIG. 26 is a right-side elevation view of the portable frame of FIG. 15;
 FIG. 27 is a top plan view of the portable frame of FIG. 15; and,
 FIG. 28 is a bottom plan view of the portable frame of FIG. 15.

The invention pertains to a portable frame for providing support to a seated user.

The broken line showing is included for the purpose of illustrating unclaimed subject matter and forms no part of the claimed design.

1 Claim, 24 Drawing Sheets

(58) **Field of Classification Search**

CPC A61H 3/00; A61H 3/04; A61H
 2003/001–2003/007; A61H 2003/043;
 A61H 2003/046

See application file for complete search history.

(56) **References Cited**

U.S. PATENT DOCUMENTS

5,148,559	A *	9/1992	Morris	A61G 5/00 297/344.21
5,662,396	A	9/1997	Reeder et al.	
D395,851	S *	7/1998	Ostwalt	D12/128
6,050,644	A	4/2000	Neal	
D497,845	S *	11/2004	Twigg	D12/130
D765,565	S *	9/2016	Husted	D12/131
2013/0319488	A1	12/2013	Chiu	
2018/0133081	A1	5/2018	Kaufman	

OTHER PUBLICATIONS

Written Opinion dated Jan. 29, 2018, for PCT Application No. PCT/US2017/061807, filed Nov. 15, 2017, 7 pages.

* cited by examiner

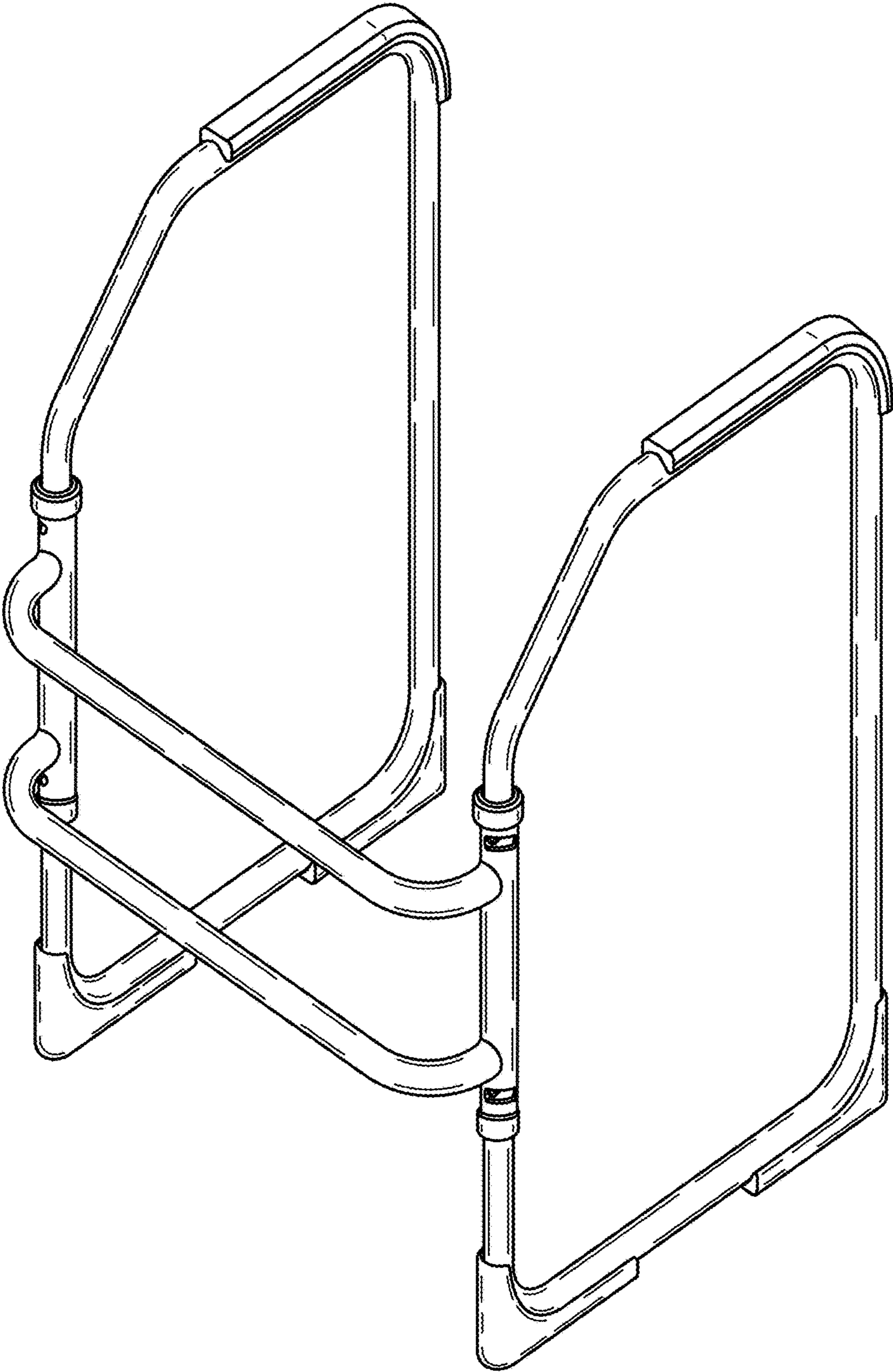


FIG. 1

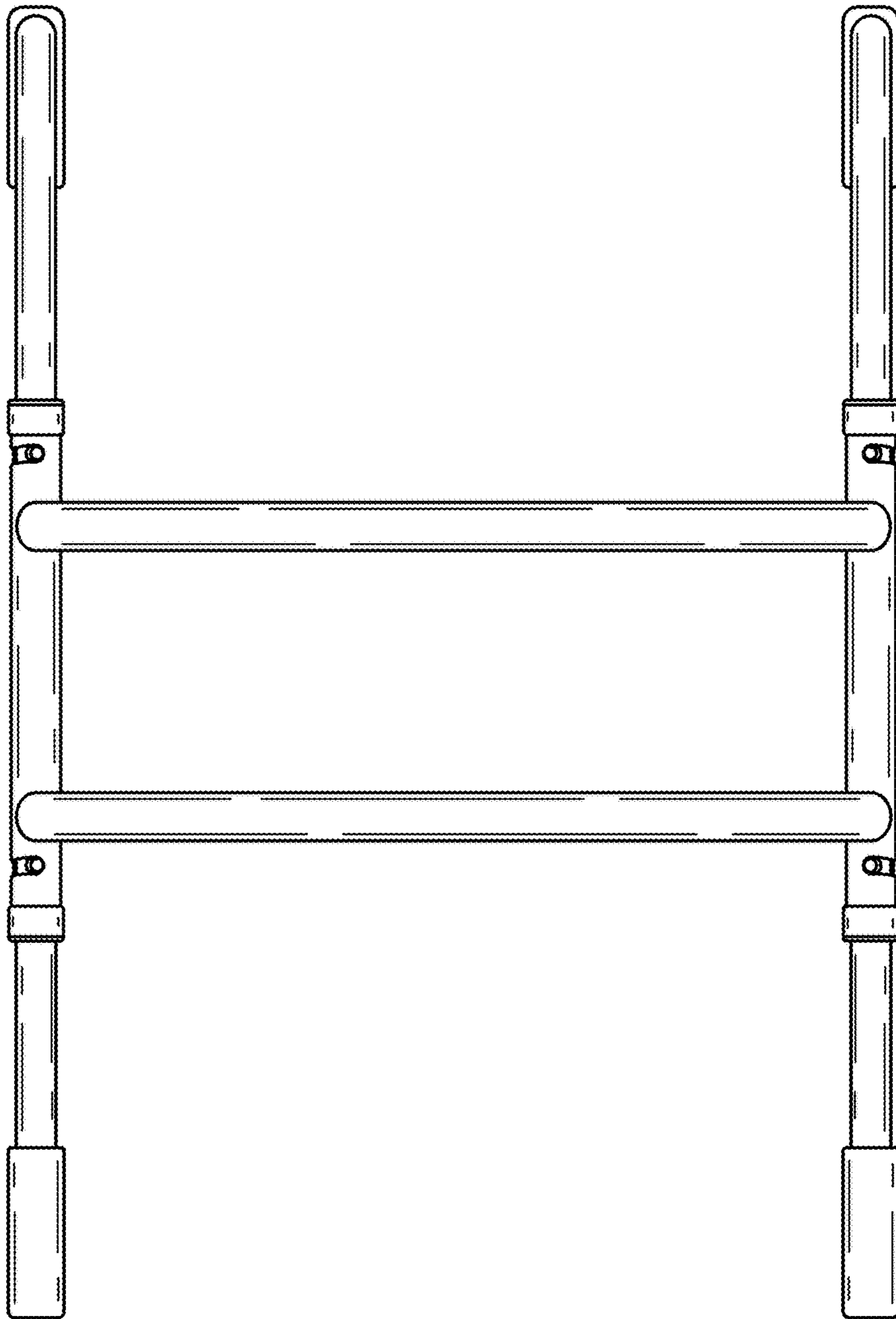


FIG. 2

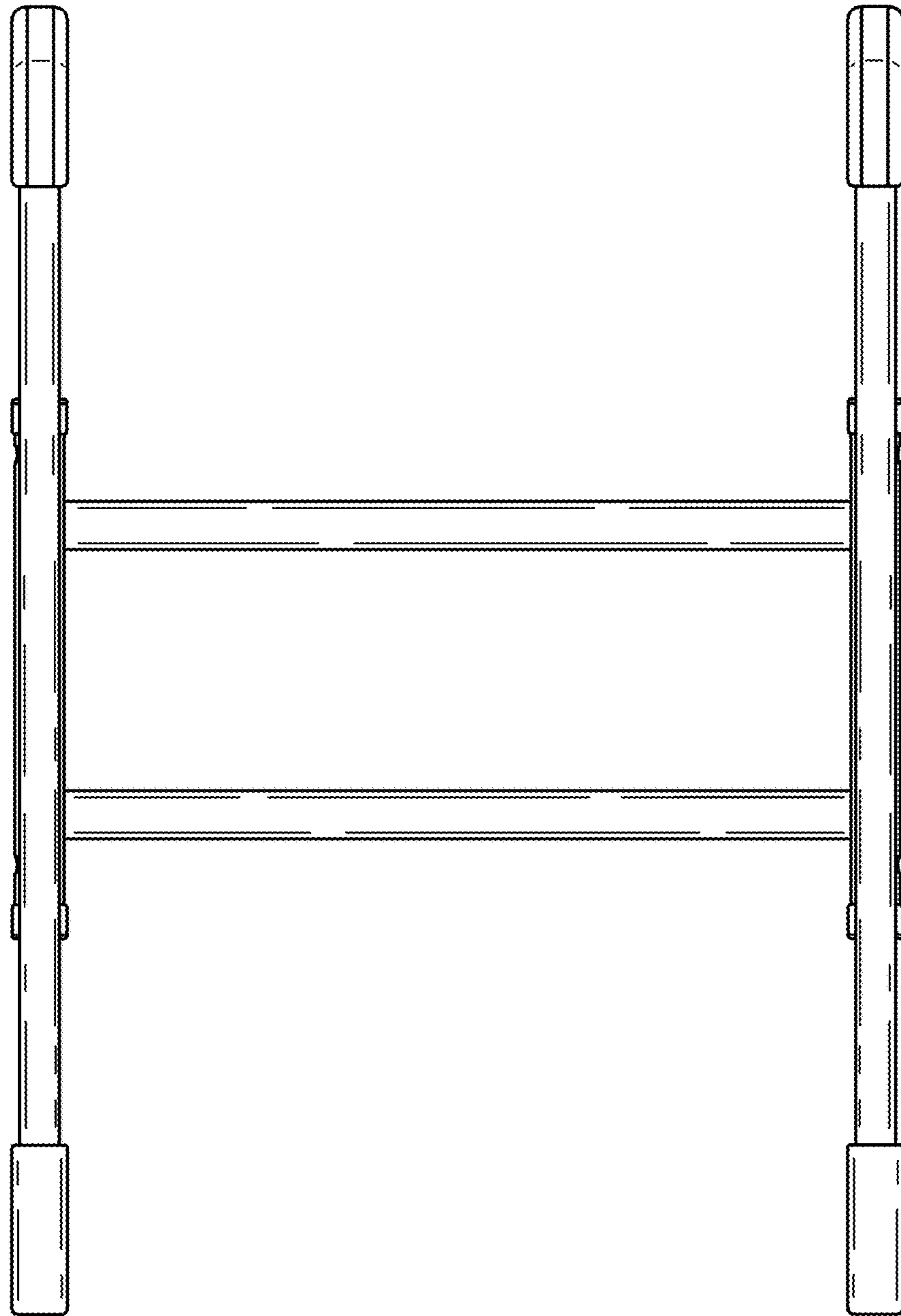


FIG. 3

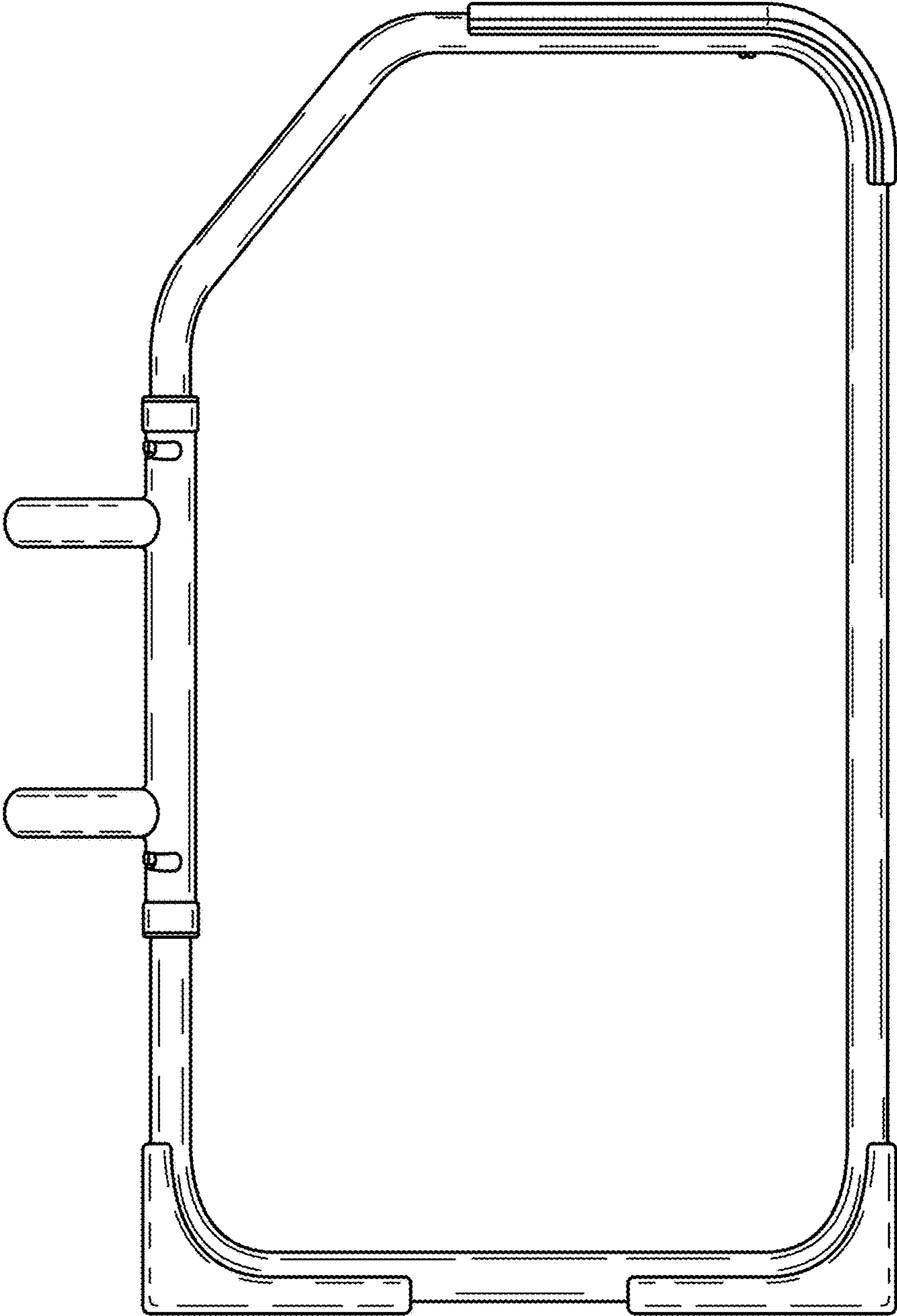


FIG. 4

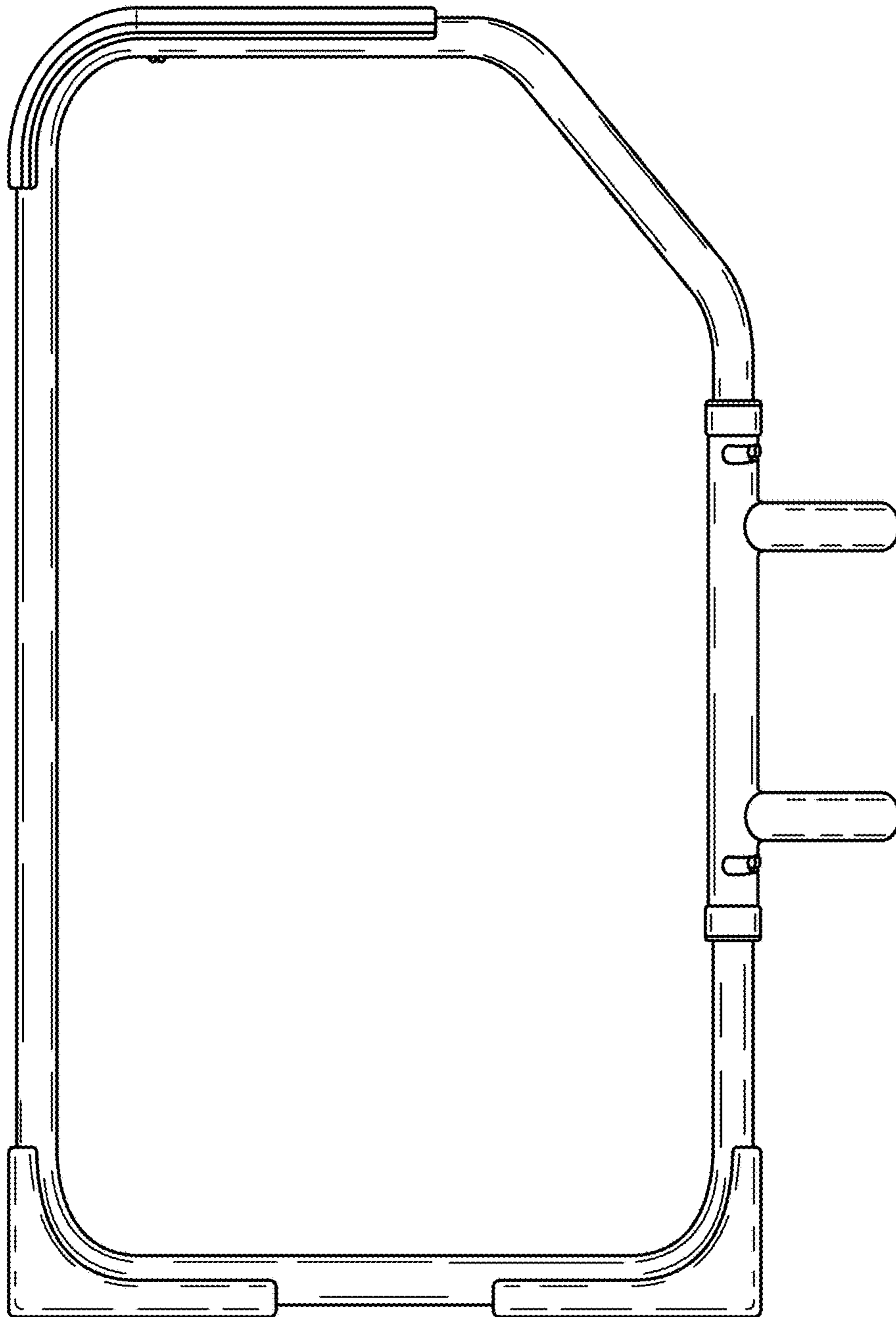


FIG. 5

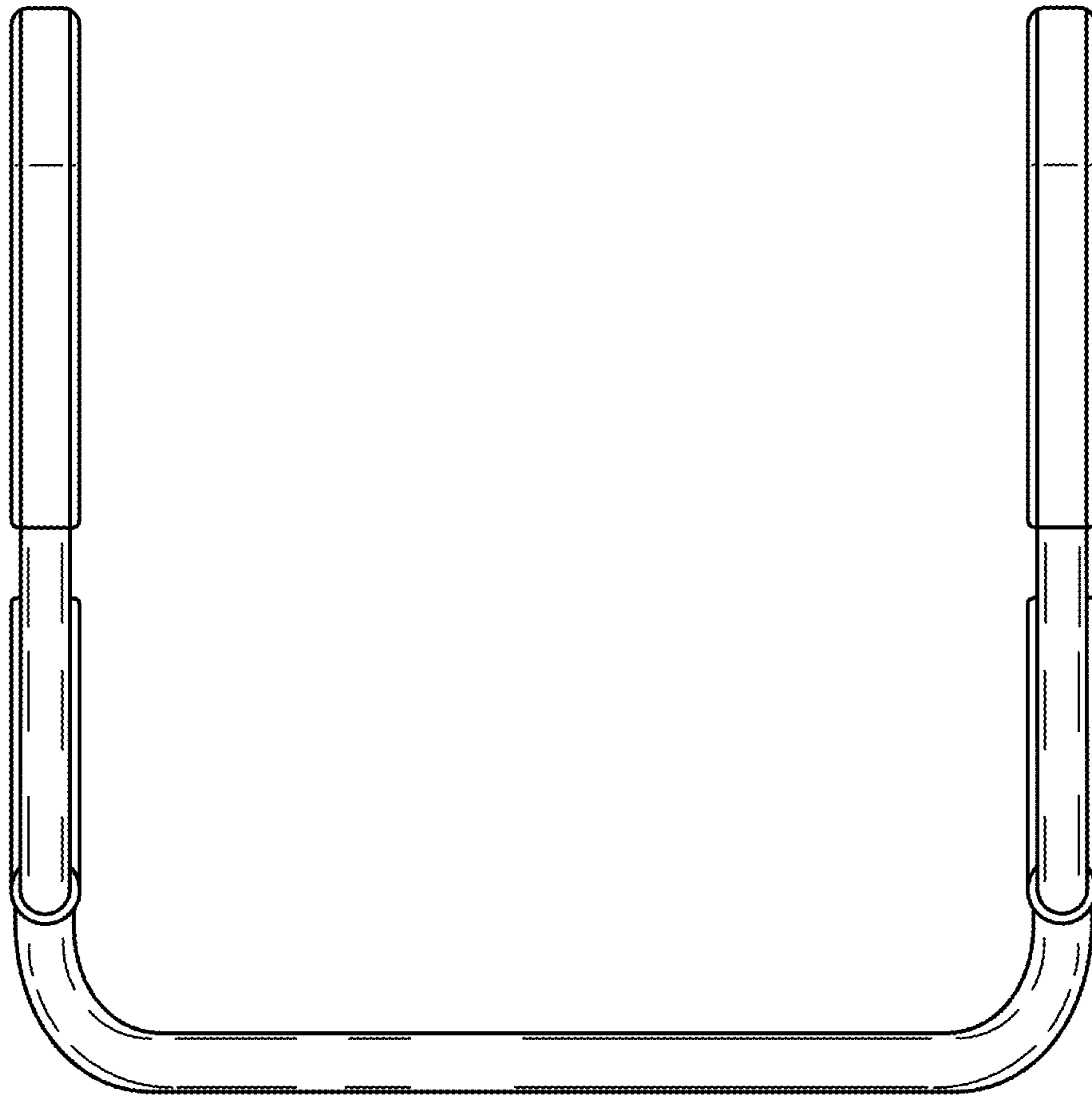


FIG. 6

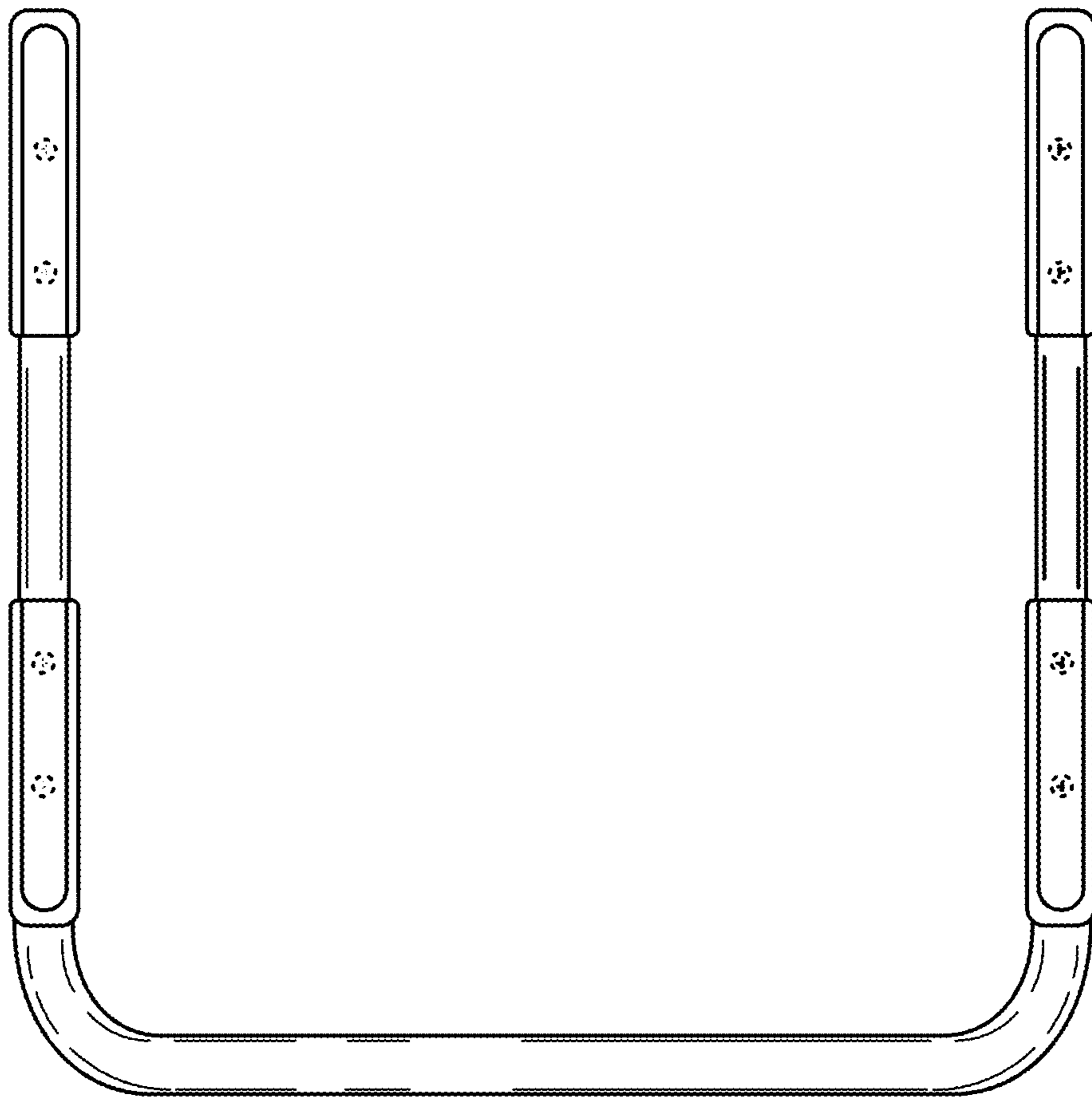


FIG. 7

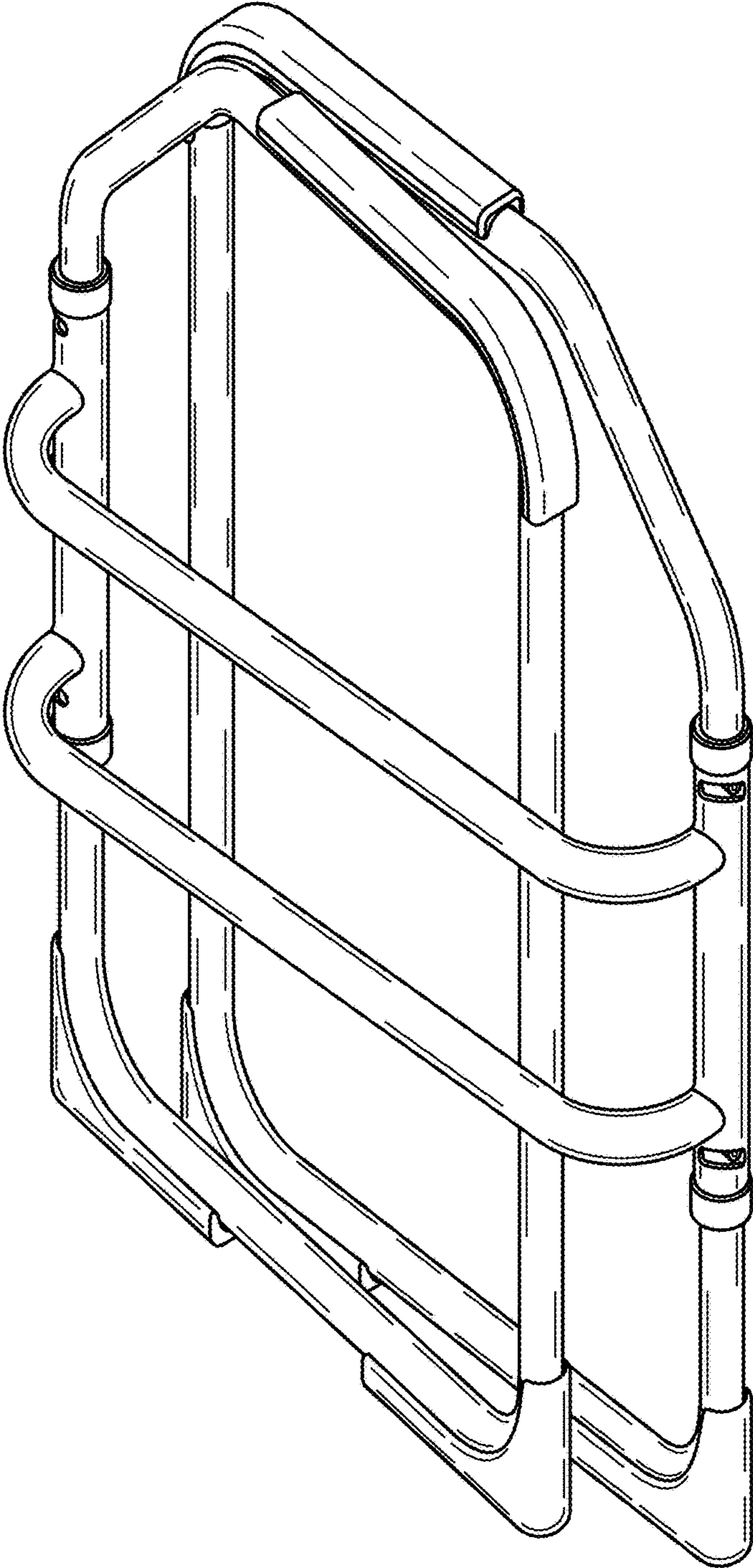


FIG. 8

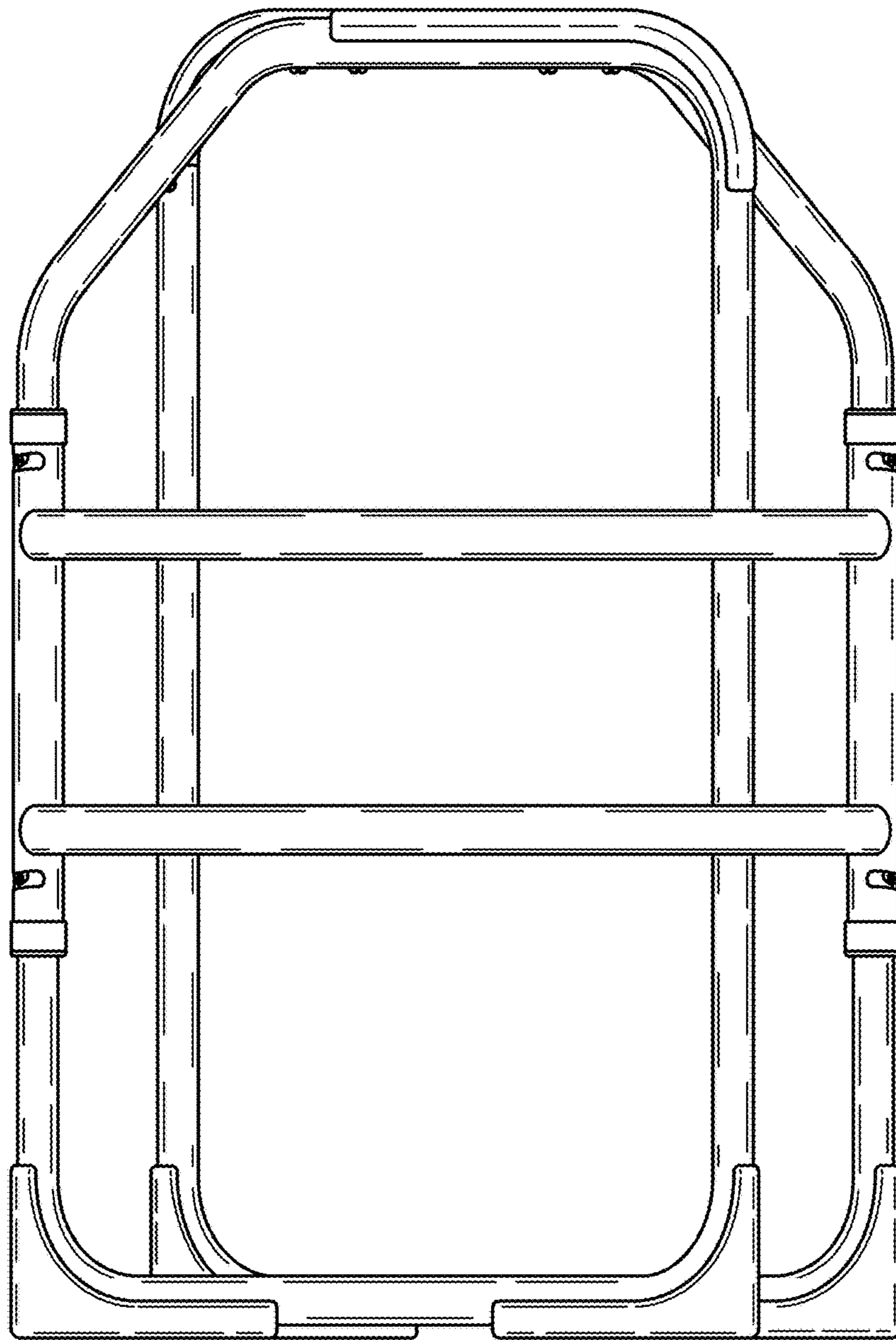


FIG. 9

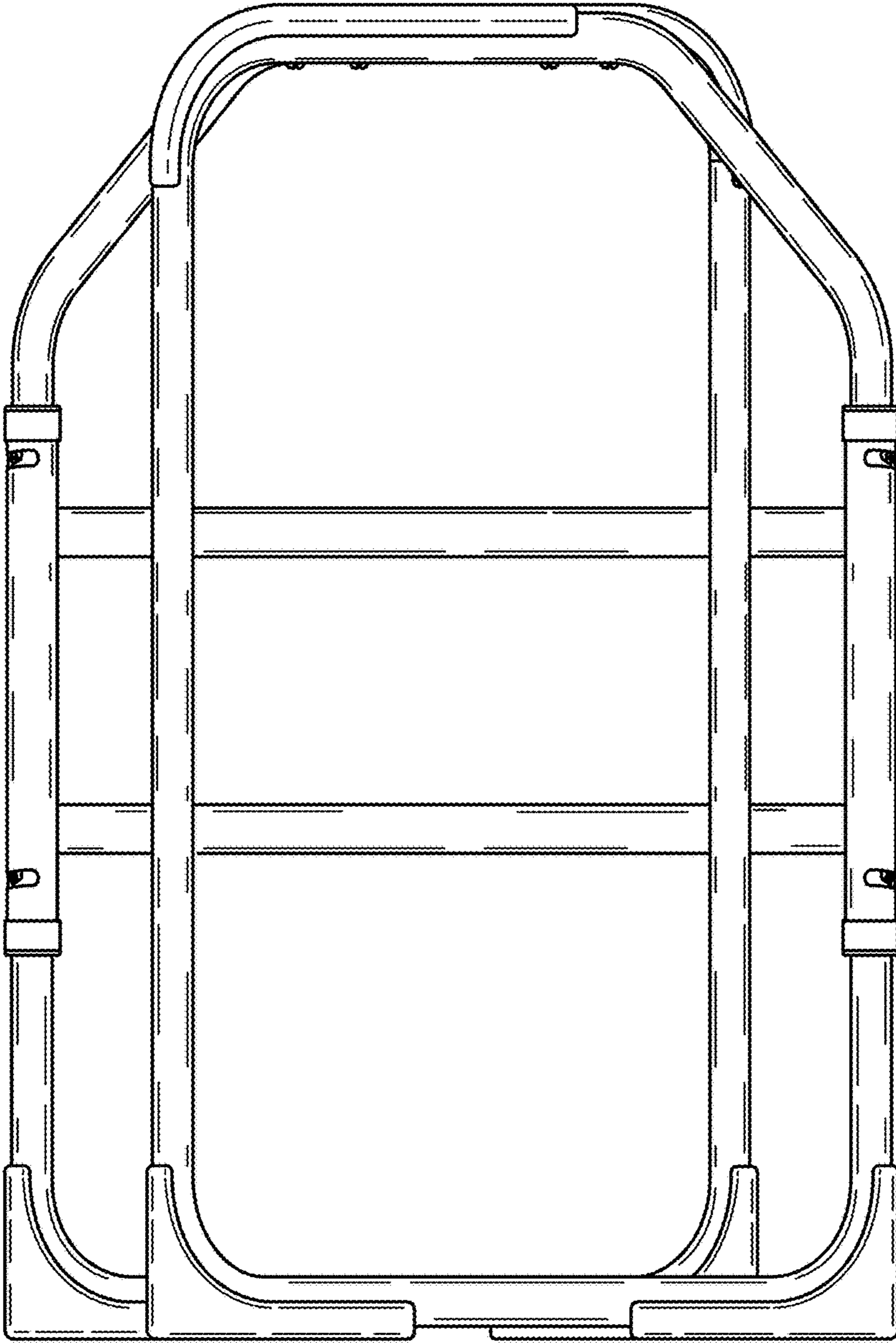


FIG. 10

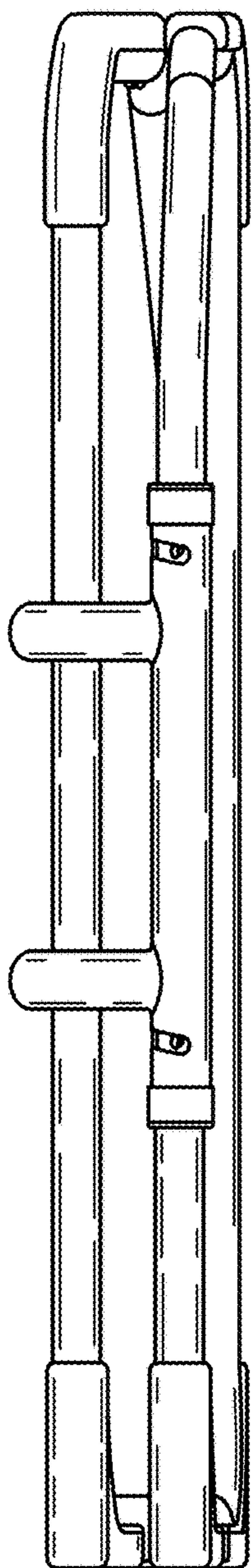


FIG. 11

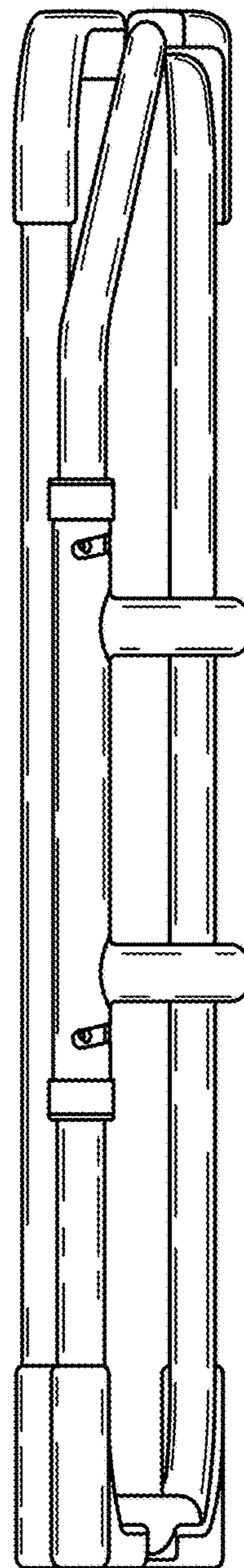


FIG. 12

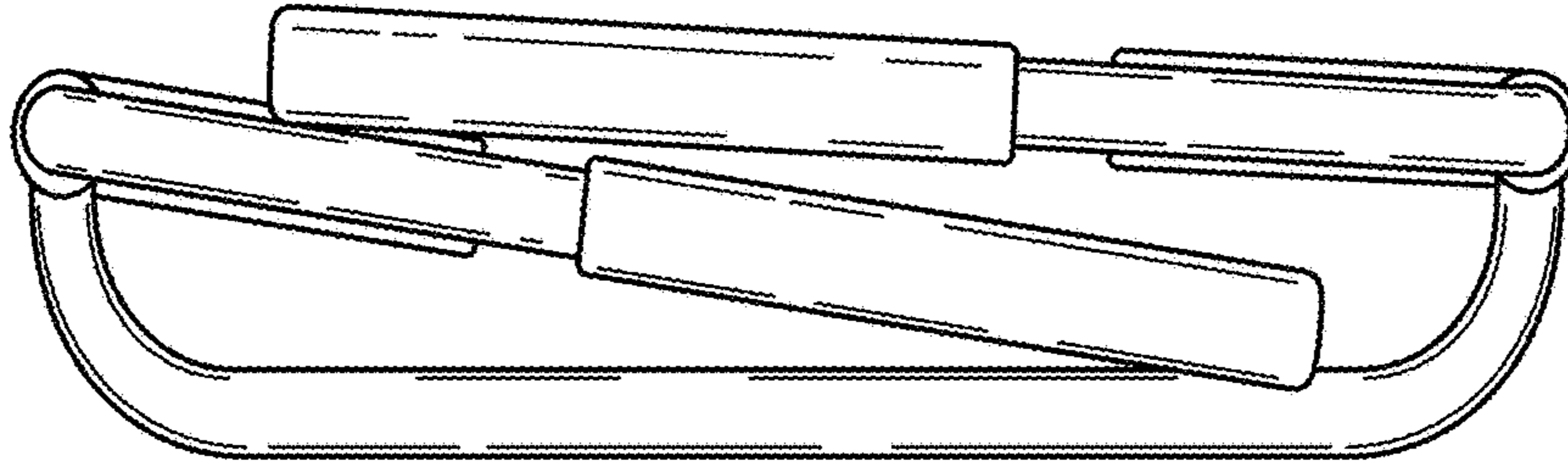


FIG. 13

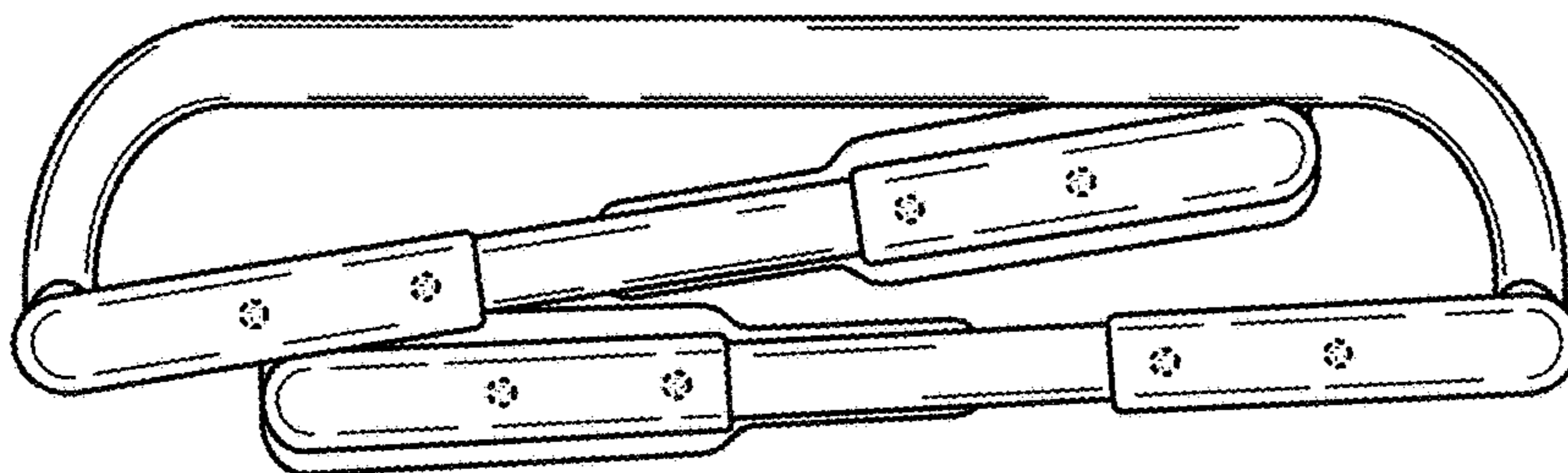


FIG. 14

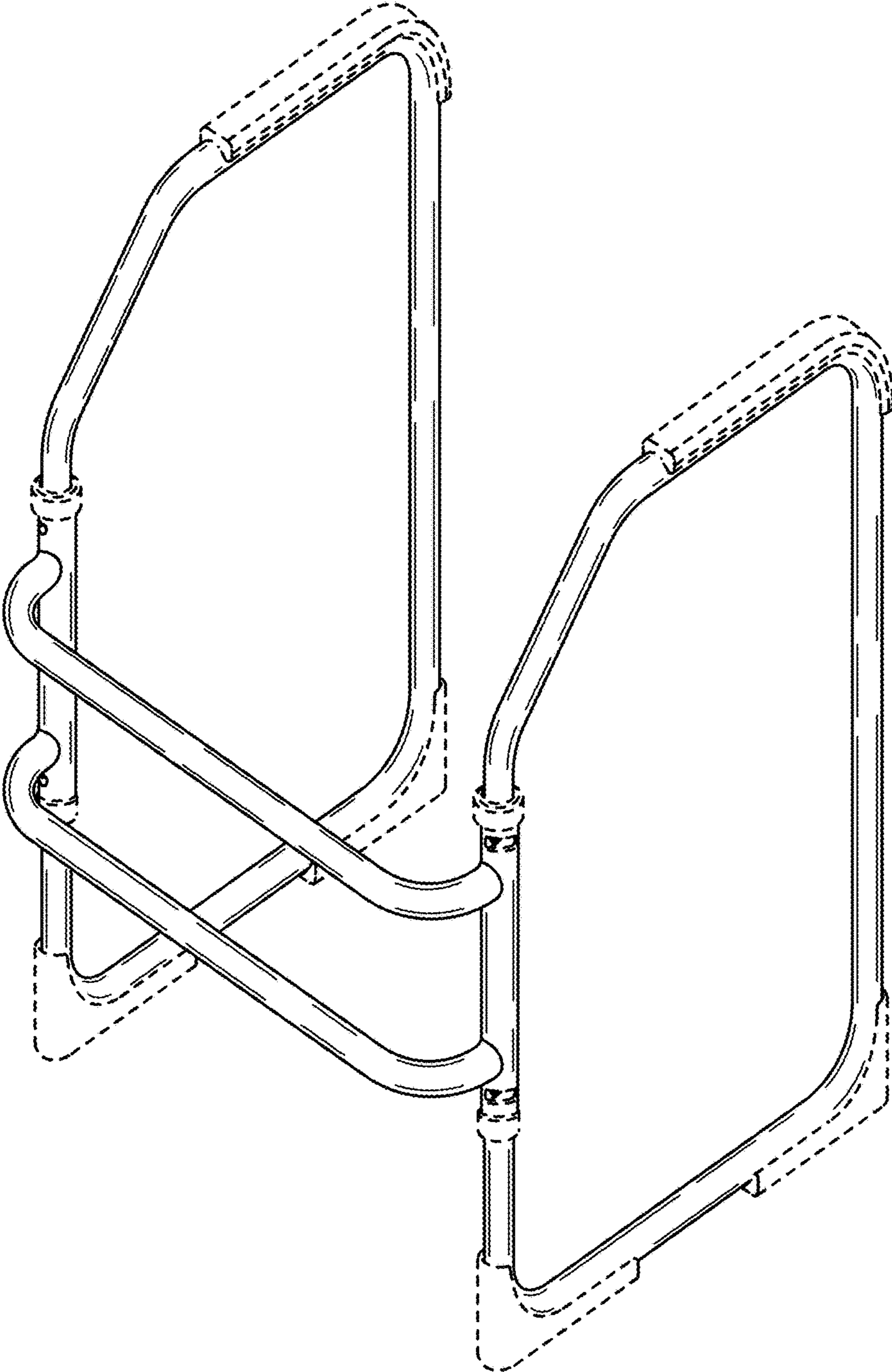


FIG. 15

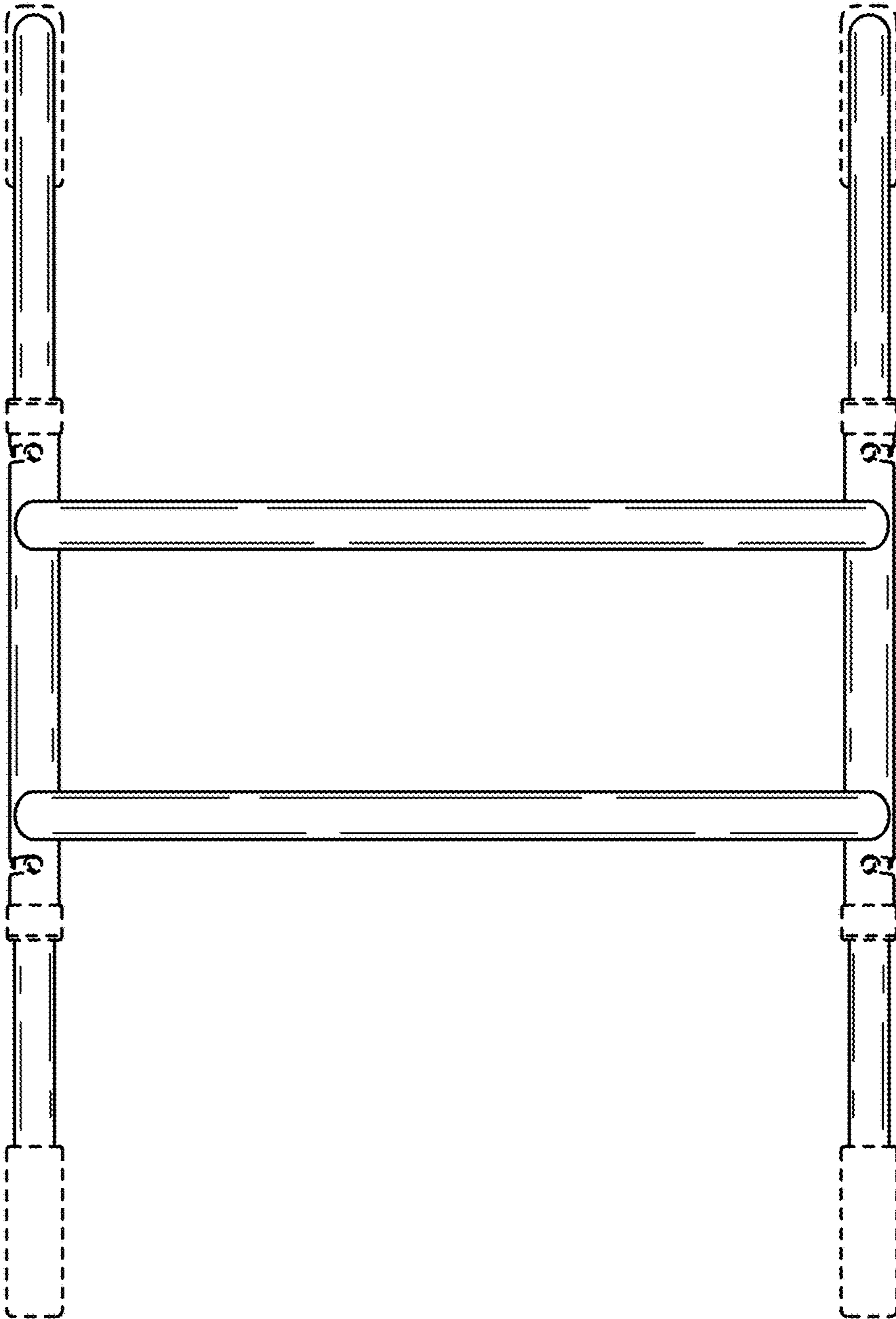


FIG. 16

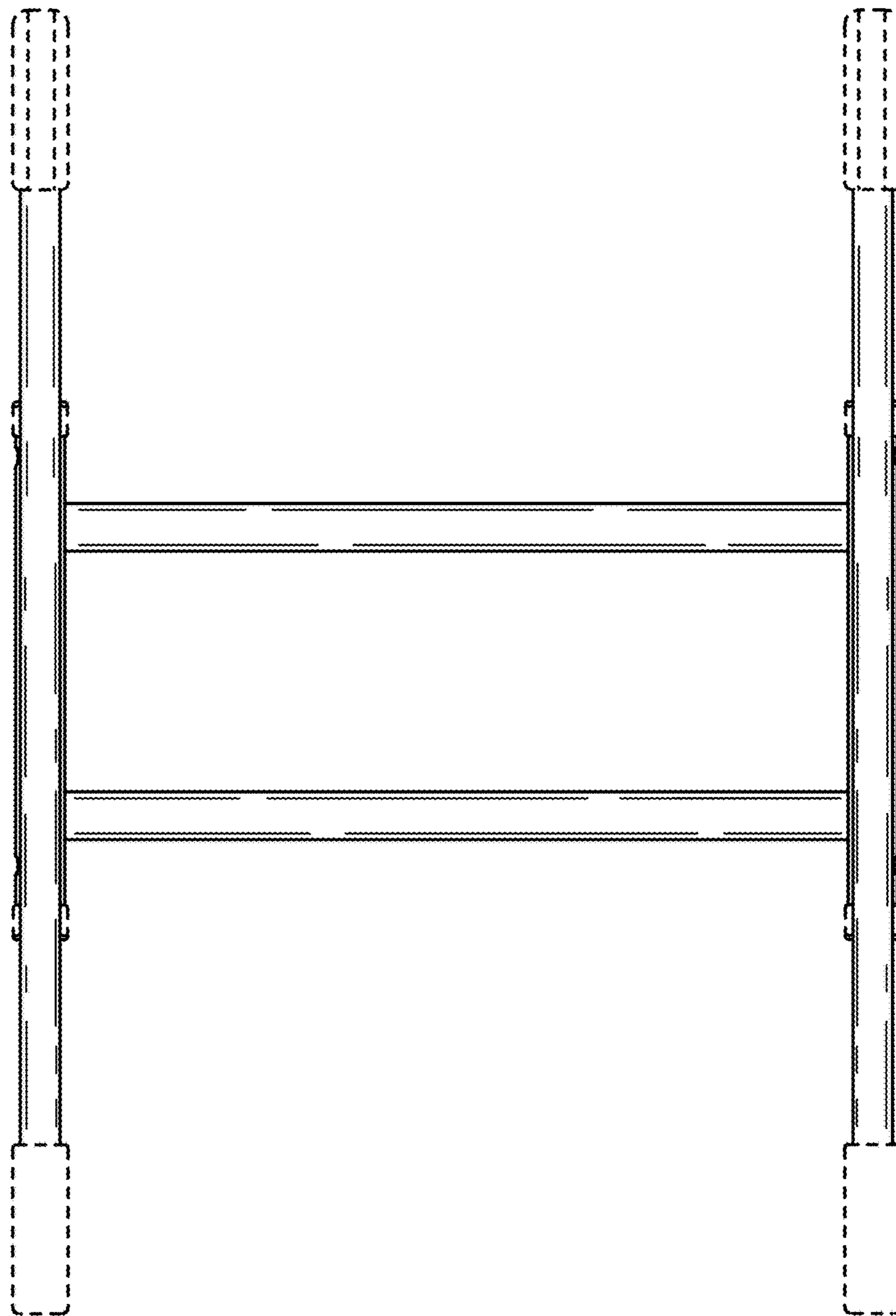


FIG. 17

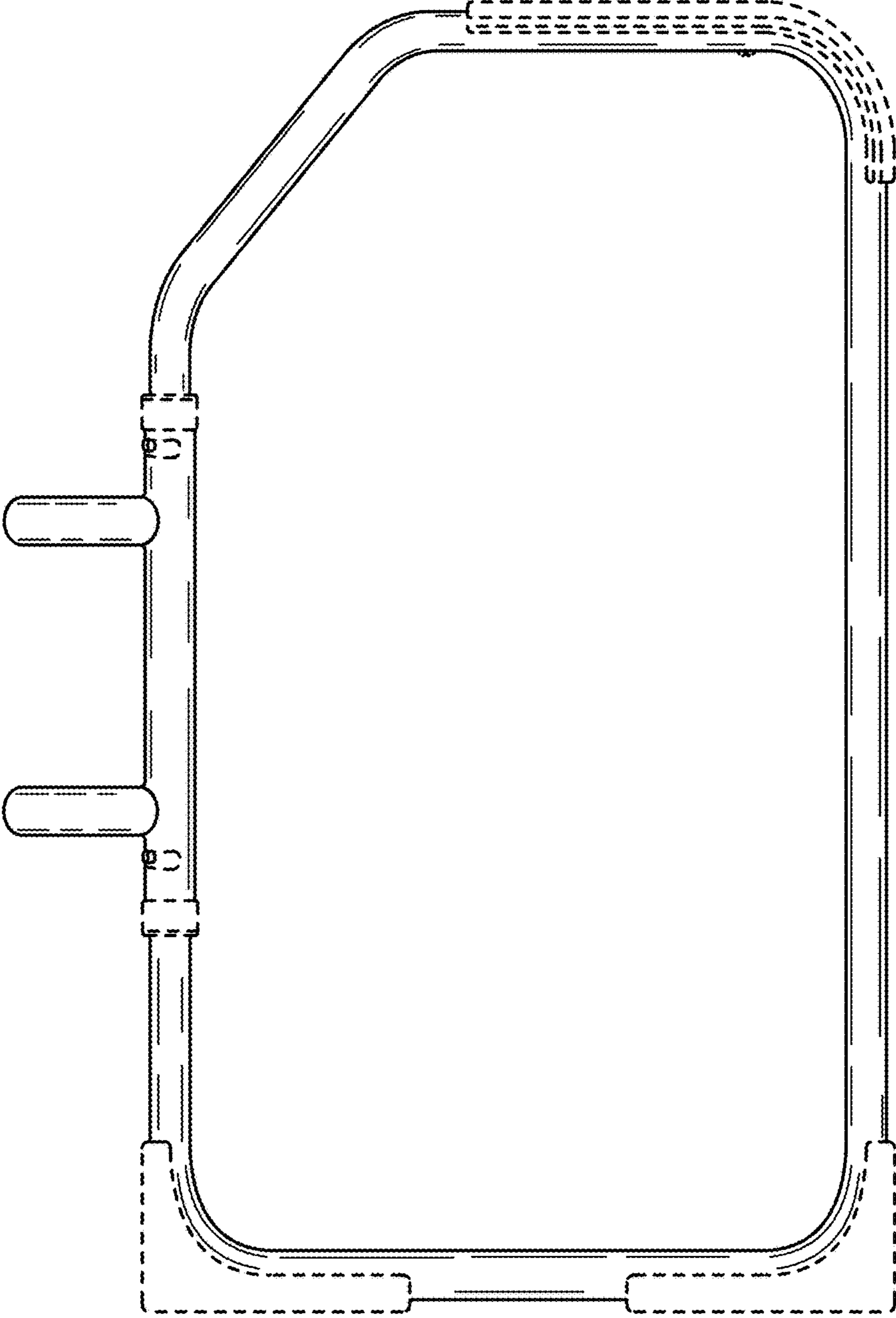


FIG. 18

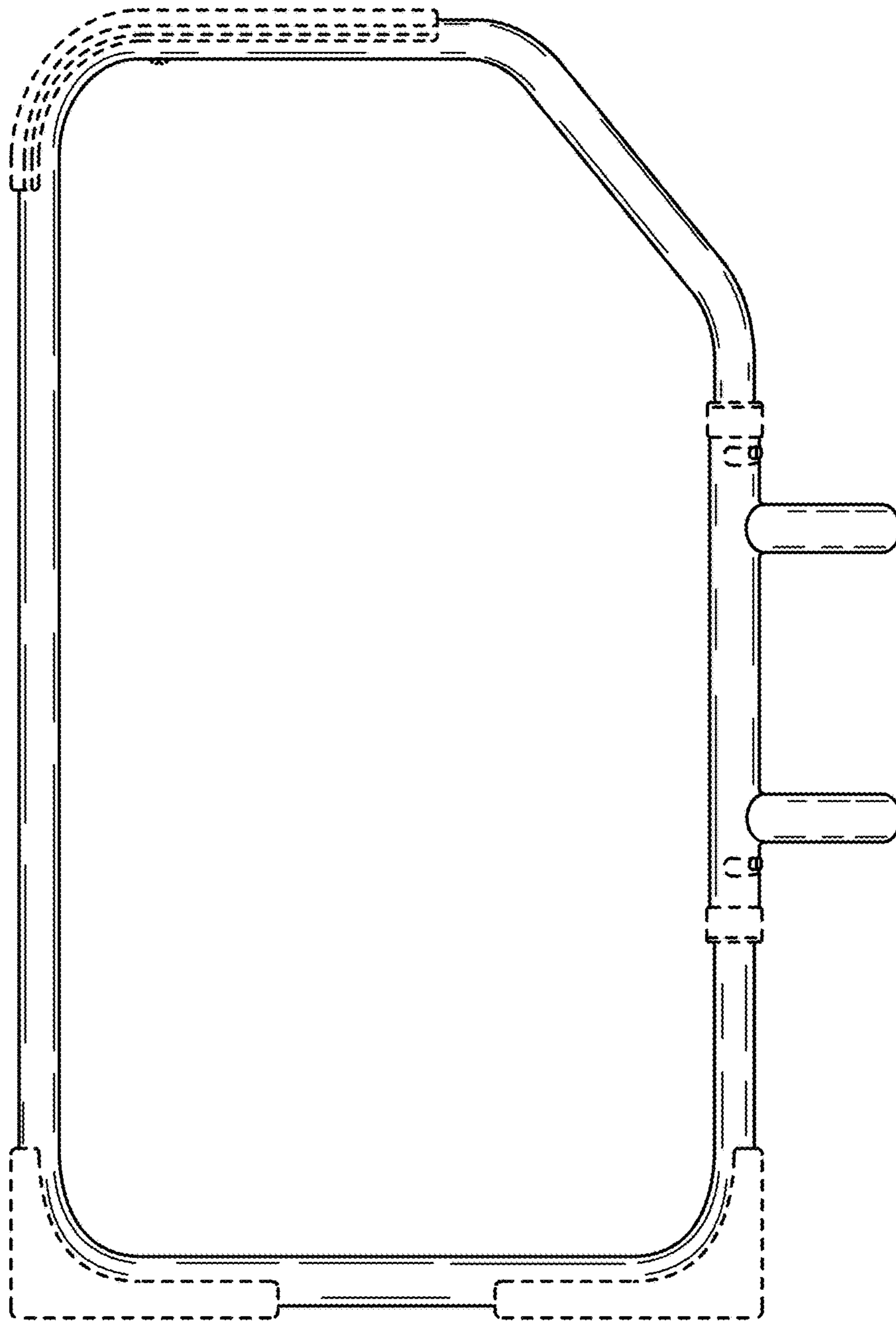


FIG. 19

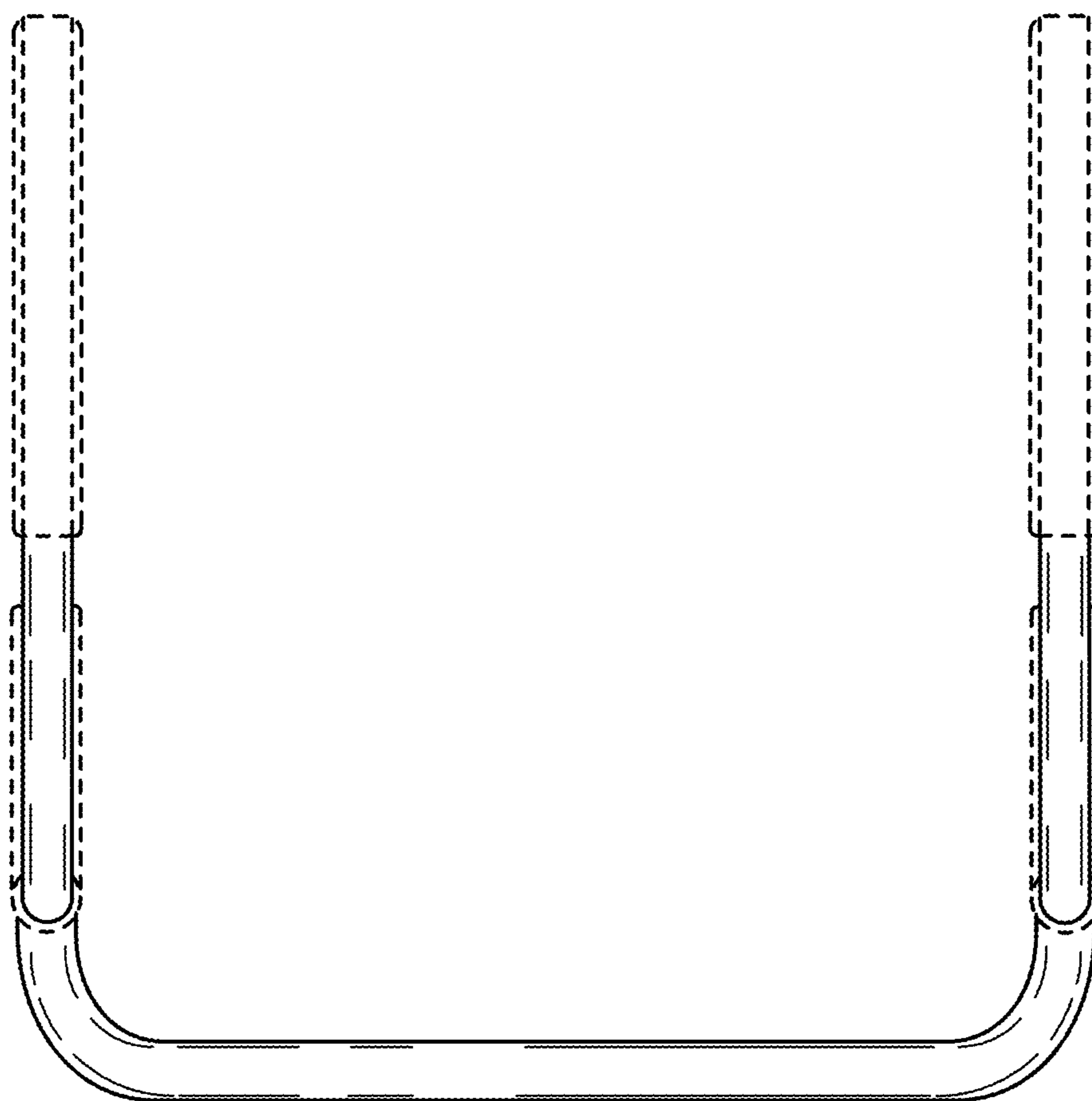


FIG. 20

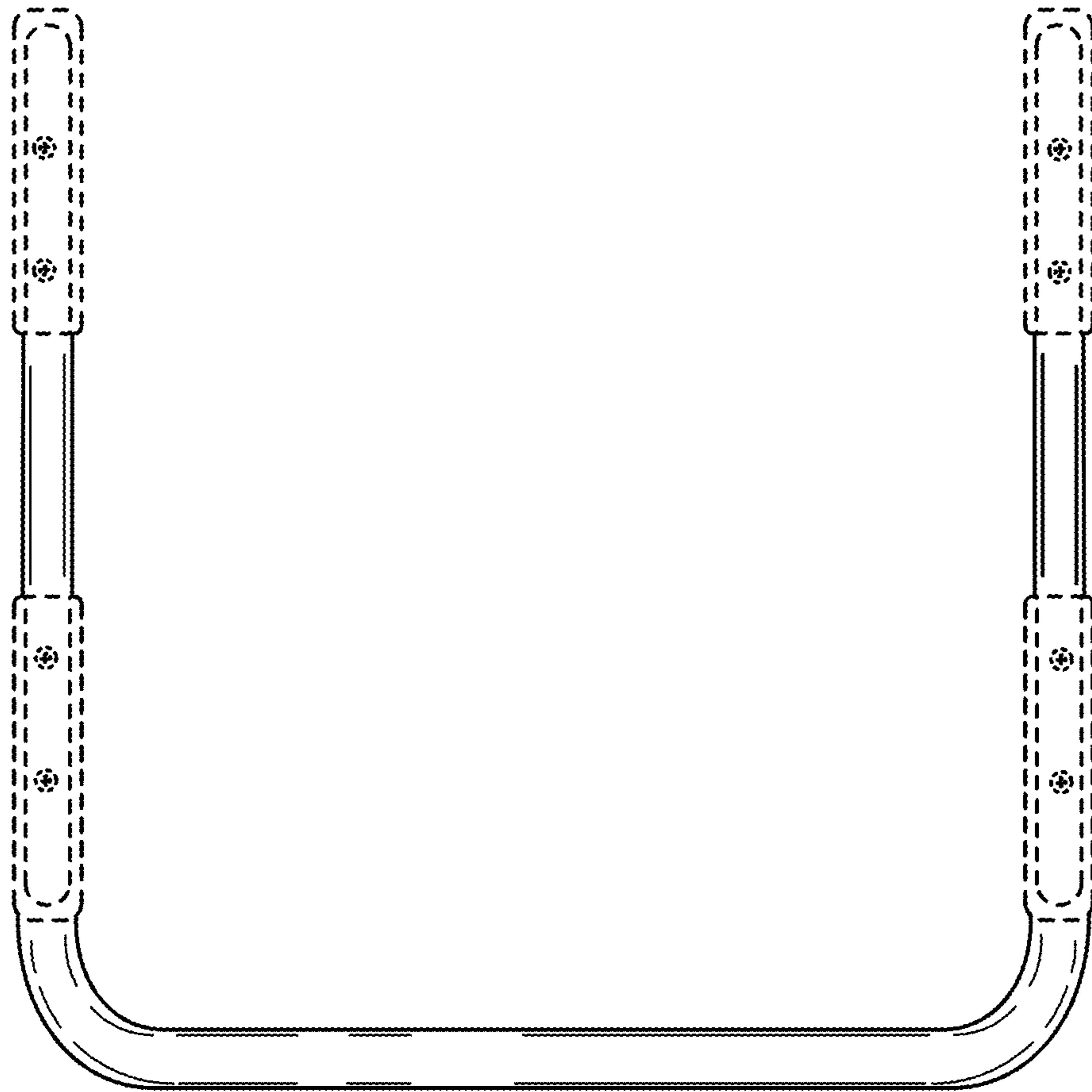


FIG. 21

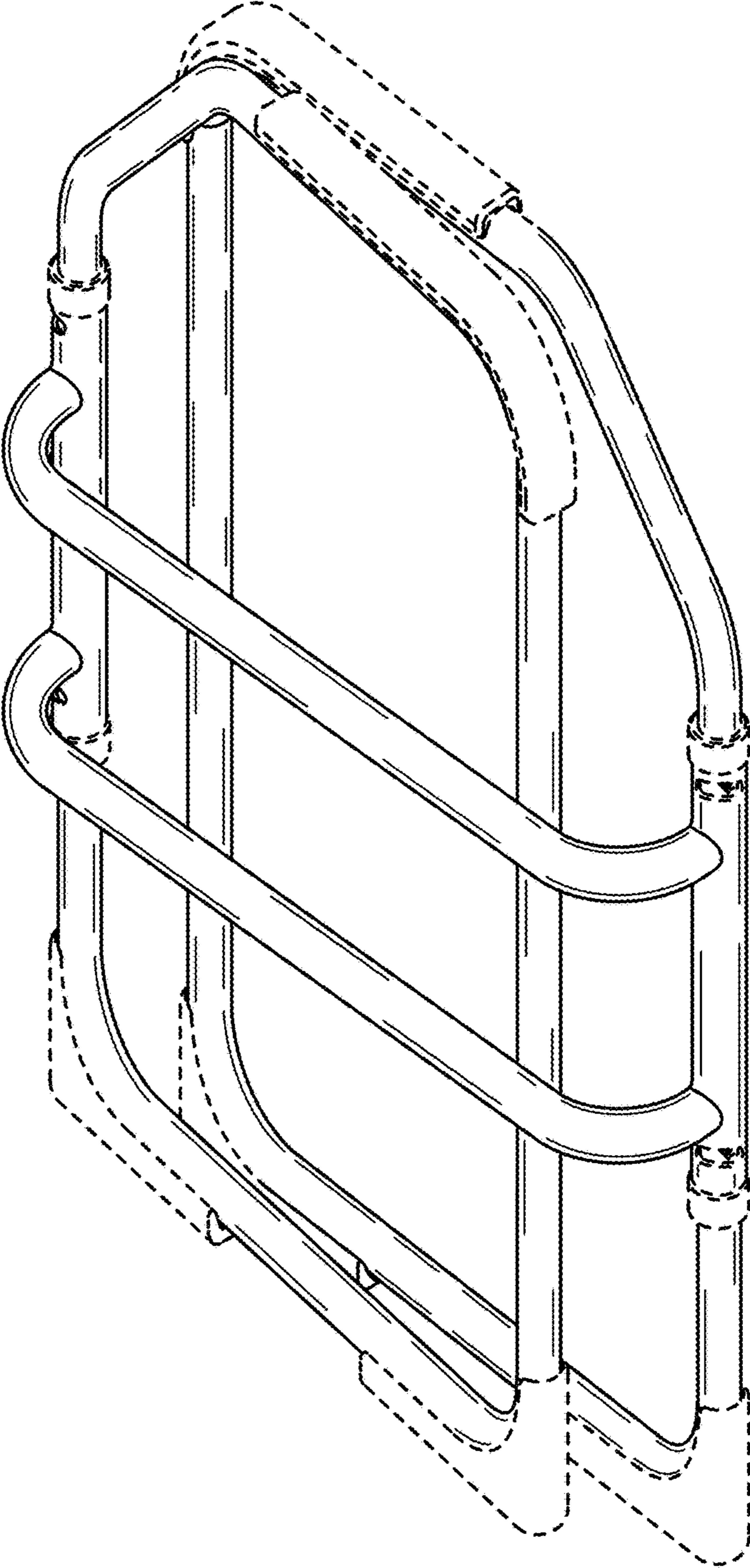


FIG. 22

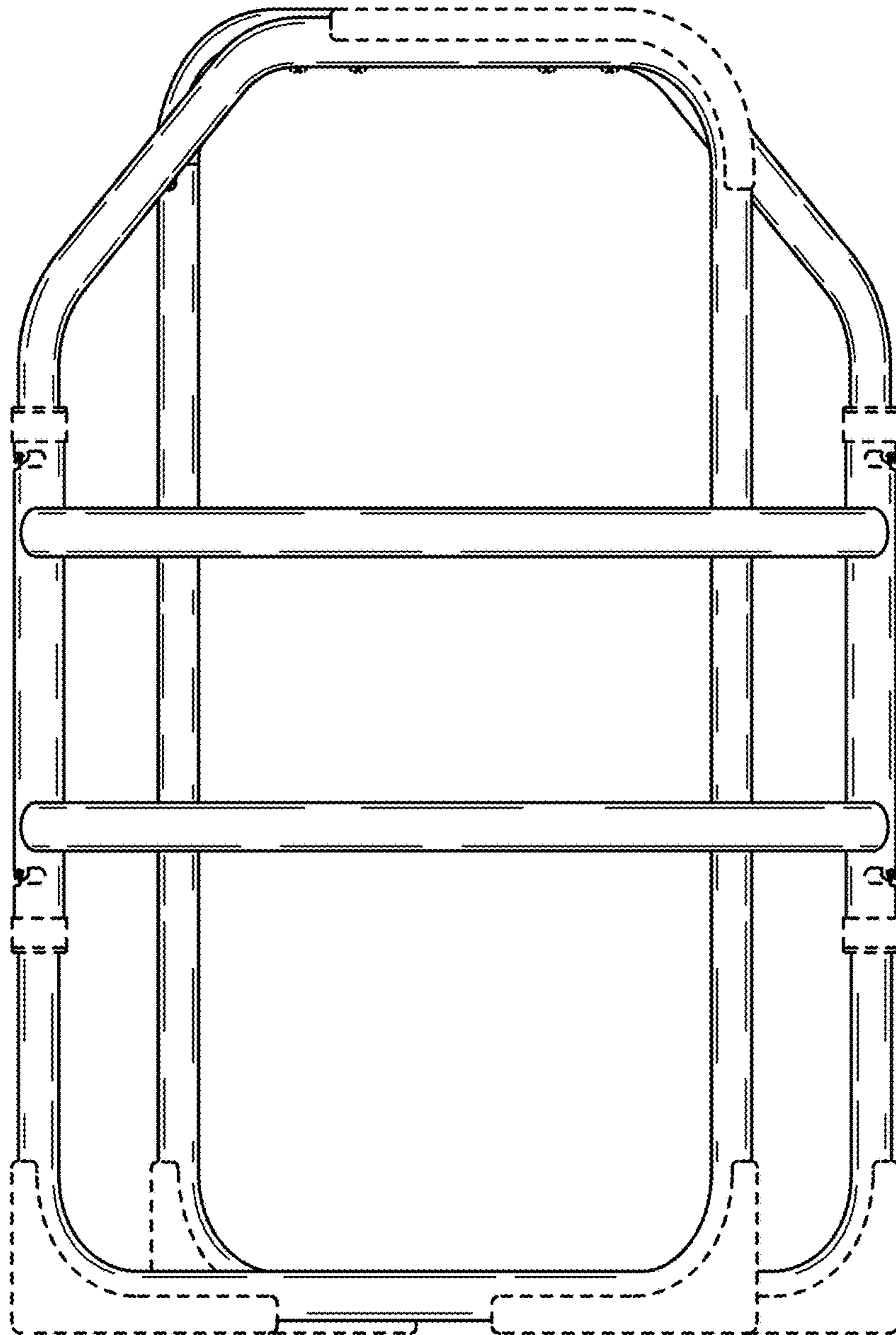


FIG. 23

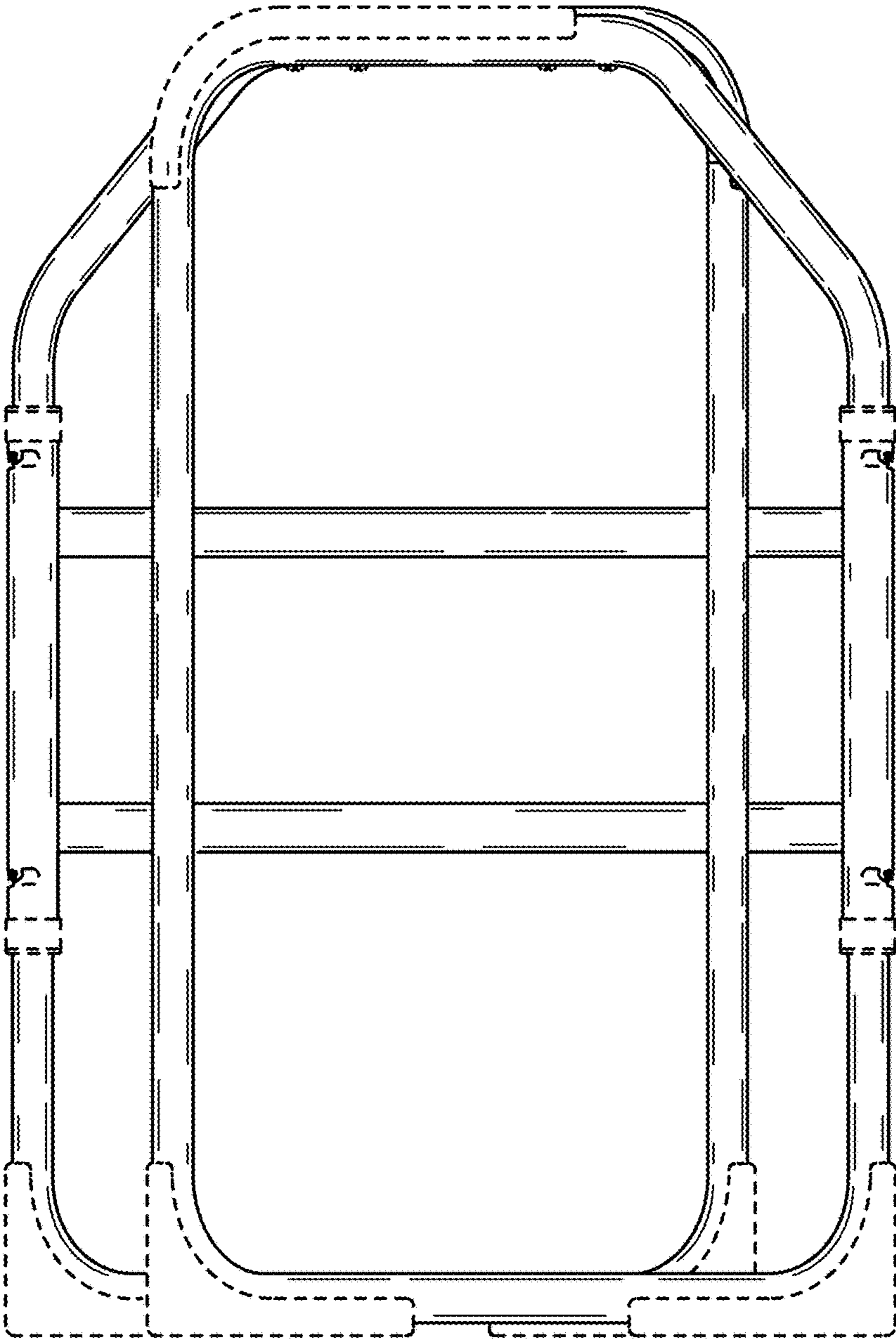


FIG. 24

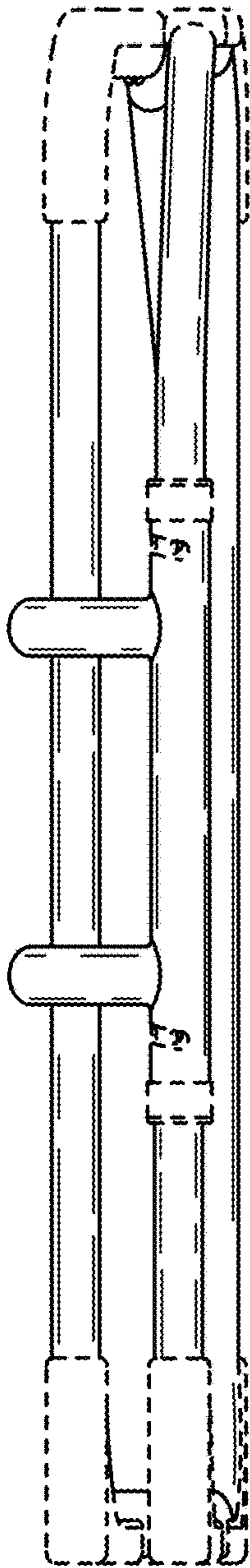


FIG. 25

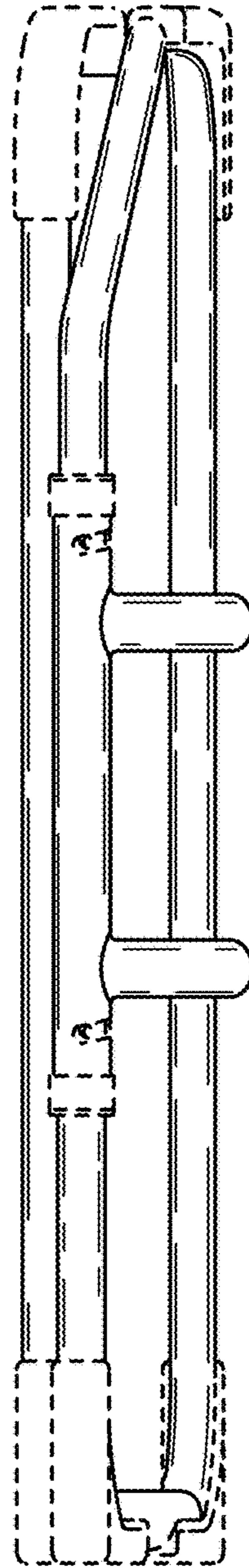


FIG. 26

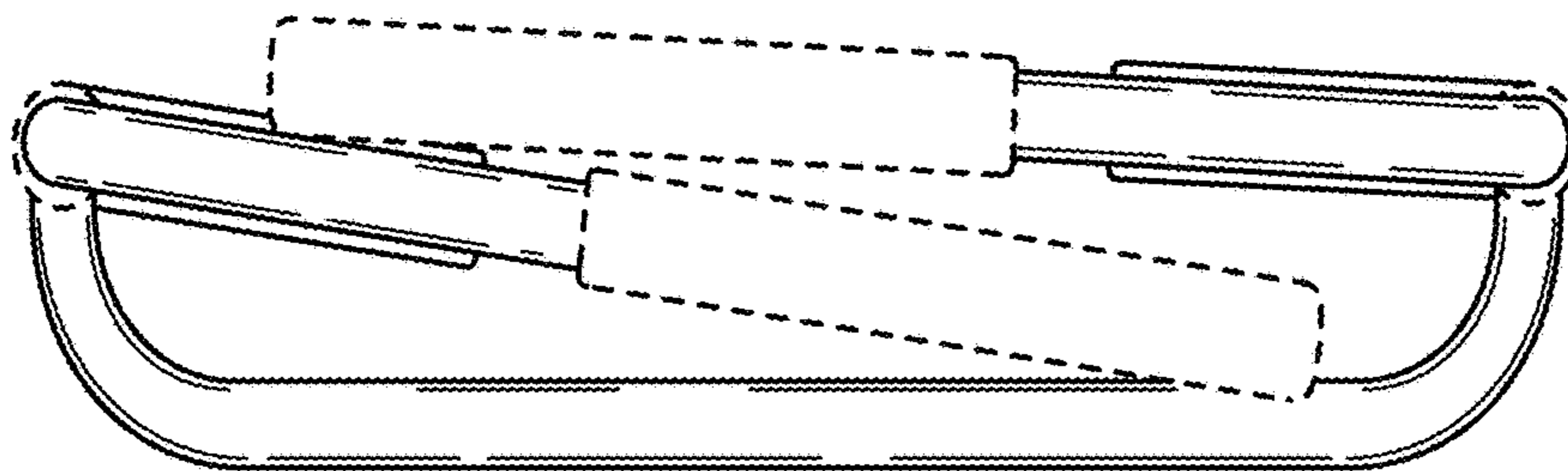


FIG. 27

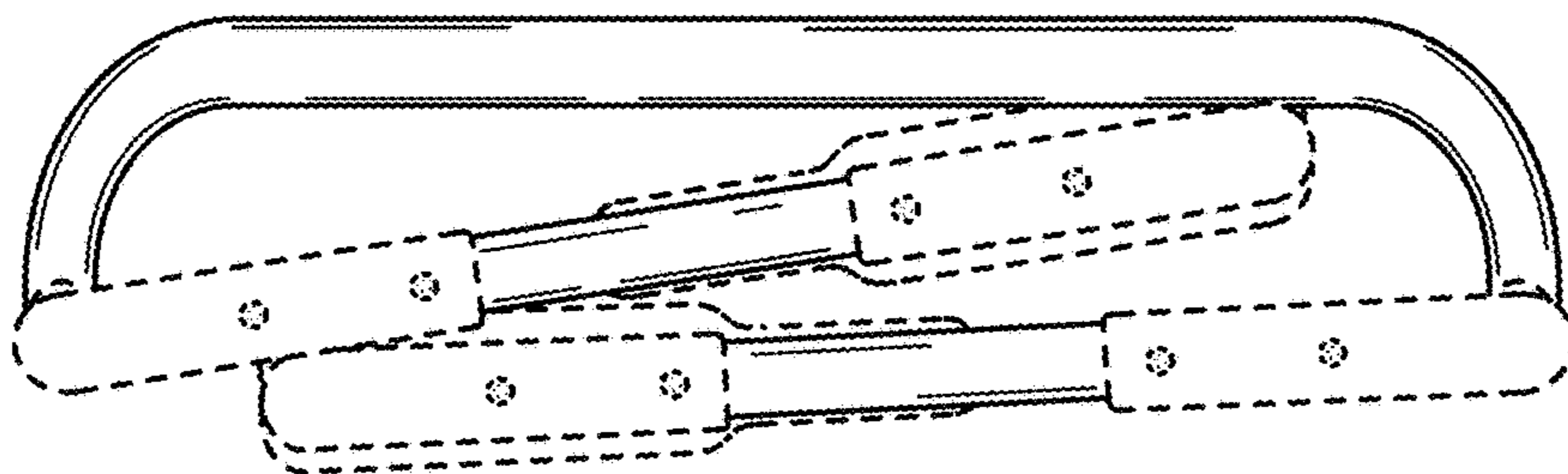


FIG. 28