



US00D835009S

(12) **United States Design Patent** (10) **Patent No.:** **US D835,009 S**
Taylor et al. (45) **Date of Patent:** **** Dec. 4, 2018**

(54) **PERAMBULATOR FRAME**
(71) Applicant: **Silver Cross (IP) Limited**, Skipton,
North Yorkshire (GB)
(72) Inventors: **Philip Taylor**, Skipton (GB); **Luke**
Mallinder, Skipton (GB)

D596,996 S * 7/2009 Yang D12/129
D621,306 S * 8/2010 Liao D12/129
D643,343 S * 8/2011 Song D12/129
D661,624 S * 6/2012 Stopp D12/129
D672,692 S * 12/2012 Jane Santamaria D12/129
D677,605 S * 3/2013 Ide D12/129

(73) Assignee: **Silver Cross (IP) Limited**, Skipton,
North (GB)
(**) Term: **15 Years**

FOREIGN PATENT DOCUMENTS

CN 201169278 Y 12/2008
CN 201272392 Y 7/2009
CN 201777285 U 3/2011
CN 202089099 U 12/2011

(Continued)

(21) Appl. No.: **29/587,931**

(22) Filed: **Dec. 16, 2016**

Related U.S. Application Data

(63) Continuation of application No. 29/587,914, filed on
Dec. 16, 2016.

(30) **Foreign Application Priority Data**

Jun. 17, 2016 (EM) 003227800

(51) **LOC (11) Cl.** **12-12**

(52) **U.S. Cl.**
USPC **D12/129**

(58) **Field of Classification Search**
USPC D12/128-133
CPC B62B 7/00-7/04; B62B 9/00-9/28
See application file for complete search history.

(56) **References Cited**

U.S. PATENT DOCUMENTS

D375,707 S * 11/1996 Yang D12/129
D519,422 S * 4/2006 Huang D12/129
7,267,359 B1 * 9/2007 Yang B62B 7/08
280/47.34
7,364,171 B2 * 4/2008 Hu B60B 1/006
280/47.38
D578,044 S * 10/2008 Chen D12/129

OTHER PUBLICATIONS

United Kingdom Search Report issued in Application No. GB1610580.1
dated Oct. 3, 2016, 4 pgs.

Primary Examiner — Charles D Hanson
(74) *Attorney, Agent, or Firm* — Woodard, Emhardt,
Moriarty, McNett & Henry, LLP; Charles Meyer

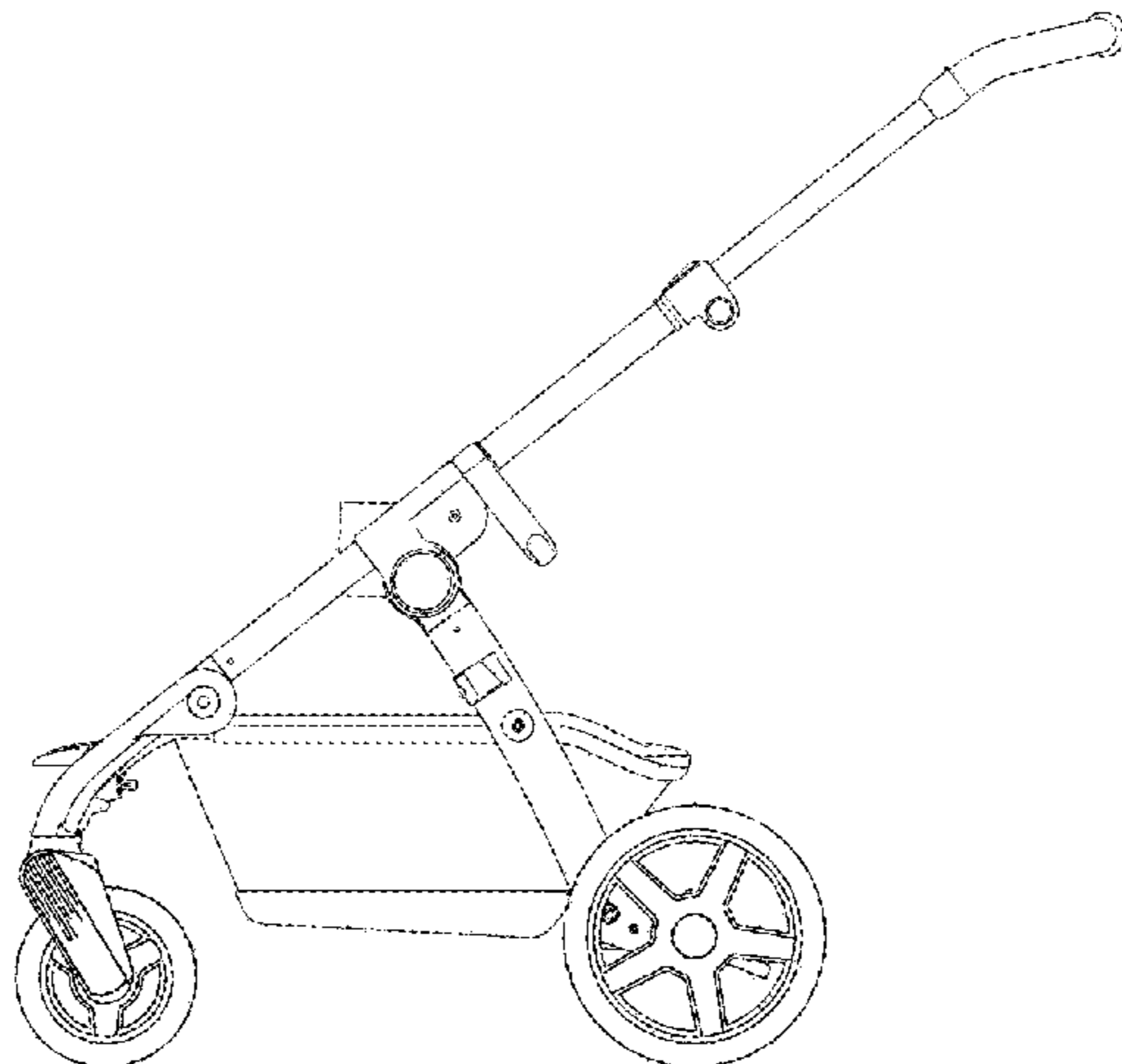
(57) **CLAIM**

The ornamental design for a perambulator frame, as shown
and described.

DESCRIPTION

FIG. 1 is a front view of the perambulator frame.
FIG. 2 is a rear view of the perambulator as shown in FIG.
1.
FIG. 3 is a left side view of the perambulator as shown in
FIG. 1.
FIG. 4 is a right side view of the perambulator as shown in
FIG. 1.
FIG. 5 is a top view of the perambulator as shown in FIG.
1; and,
FIG. 6 is a bottom view of the perambulator as shown in
FIG. 1.

1 Claim, 3 Drawing Sheets



(56)

References Cited

FOREIGN PATENT DOCUMENTS

CN	202243606 U	5/2012
EP	1 688 336 A2	8/2006
EP	2 805 867 A2	11/2014
GB	2482589 A	2/2012

* cited by examiner

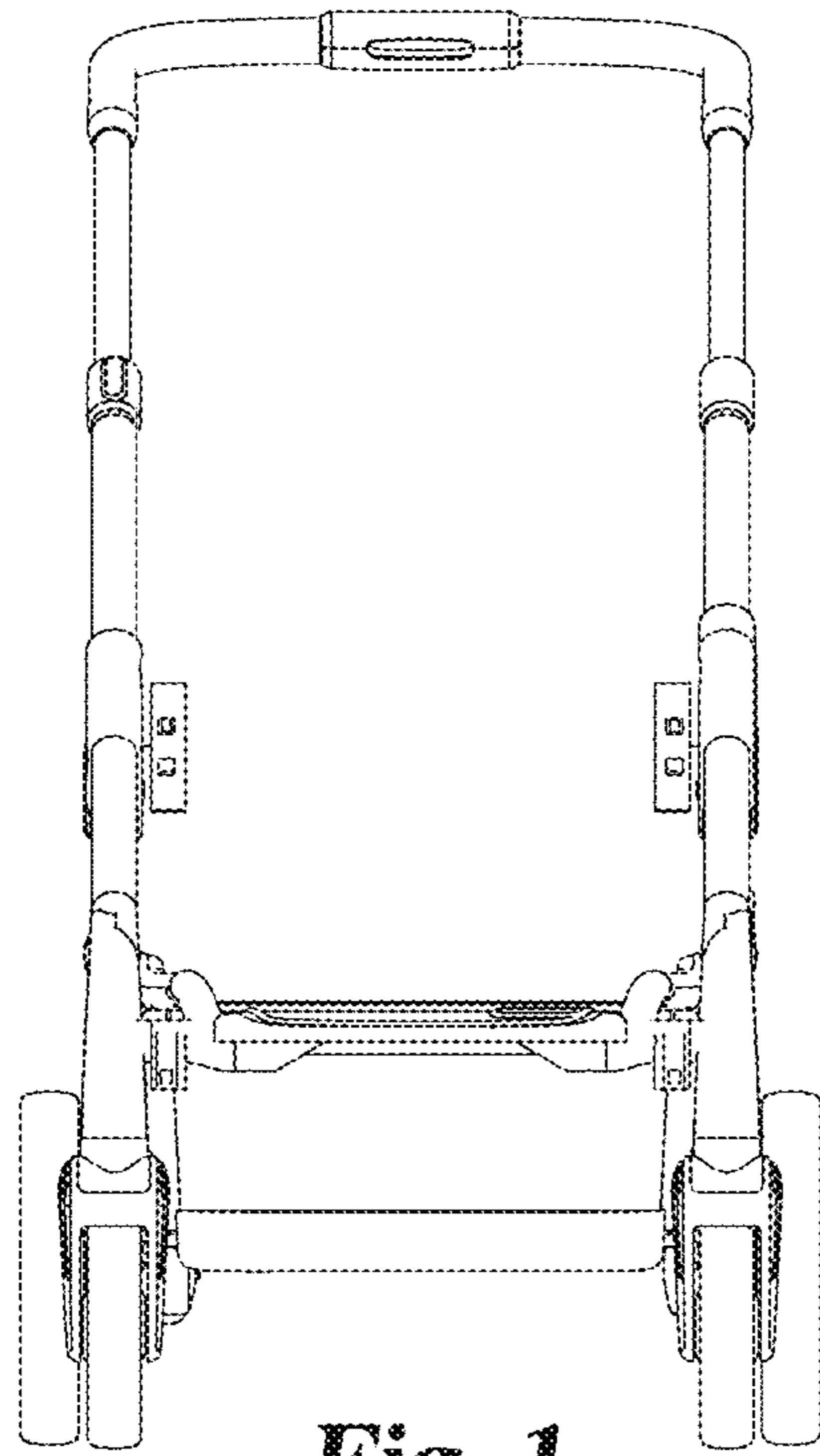


Fig. 1

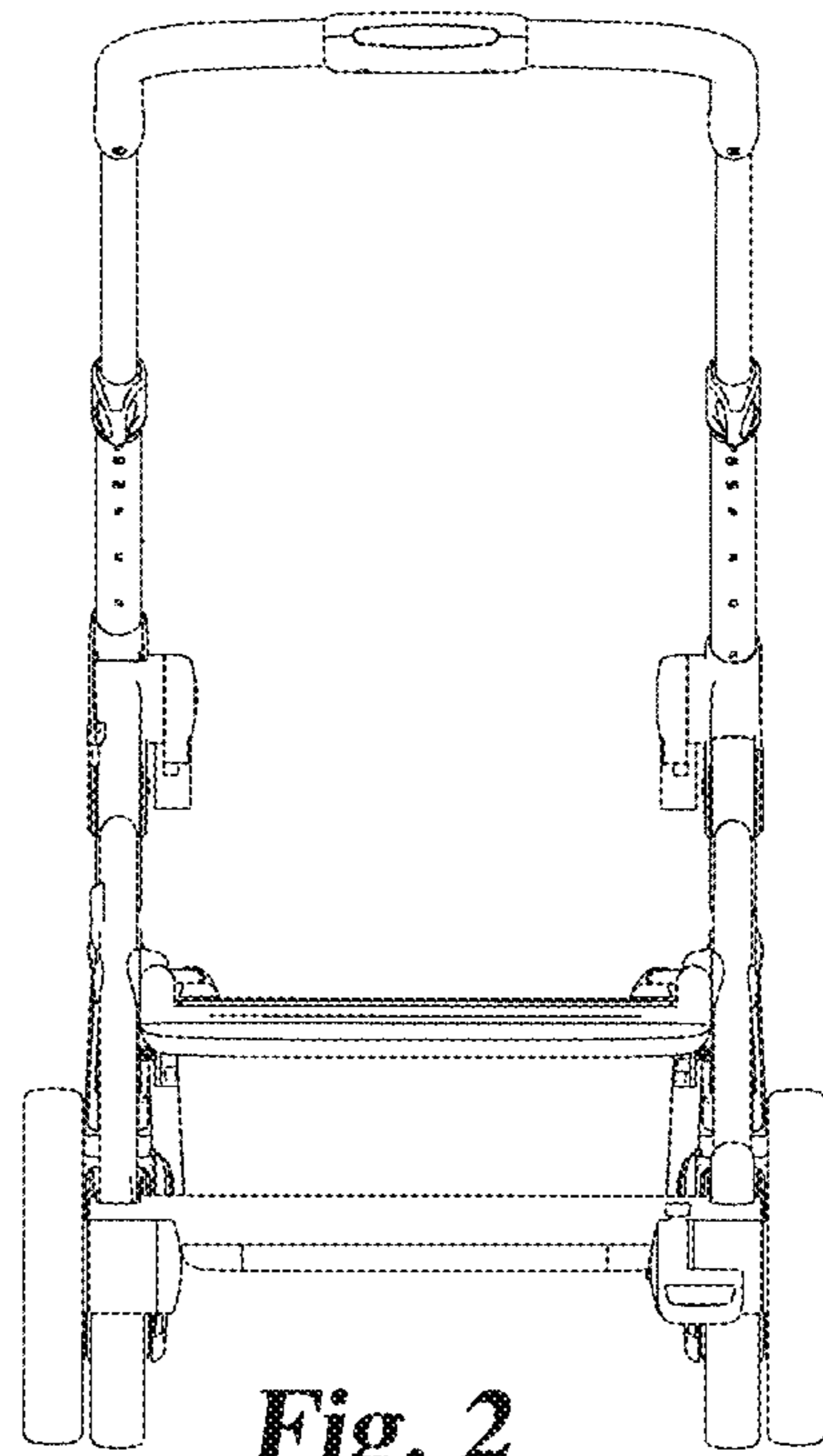


Fig. 2

Fig. 3

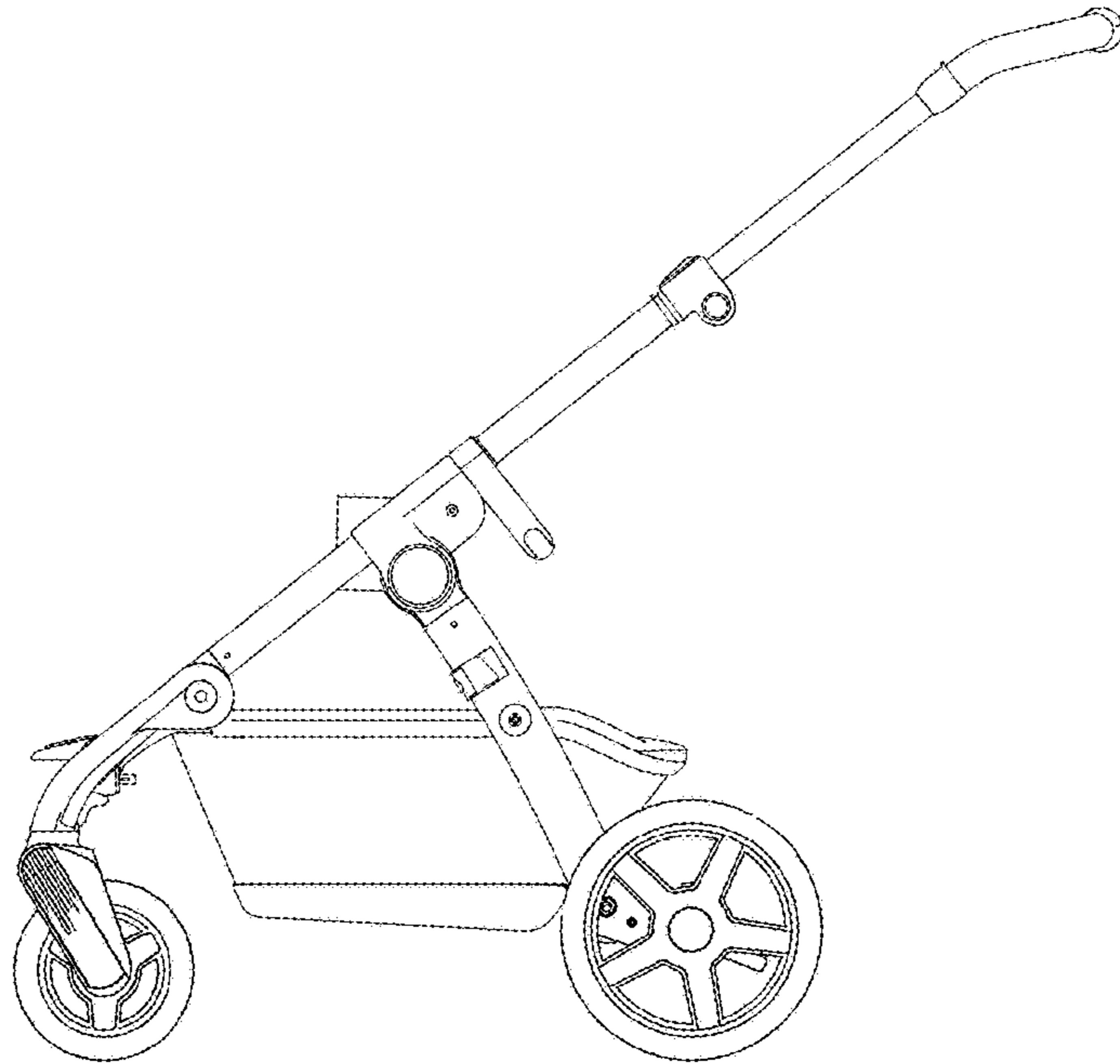
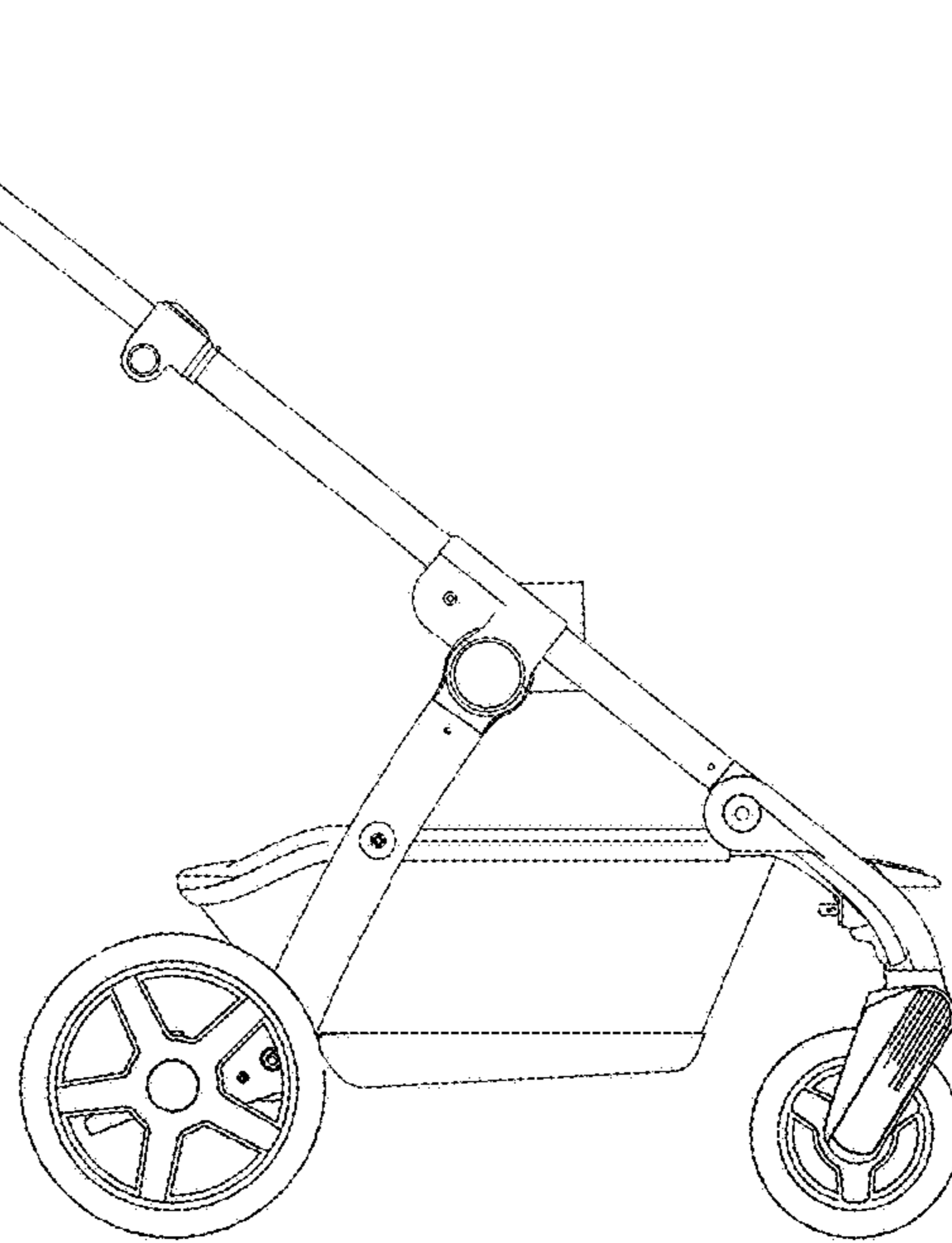


Fig. 4



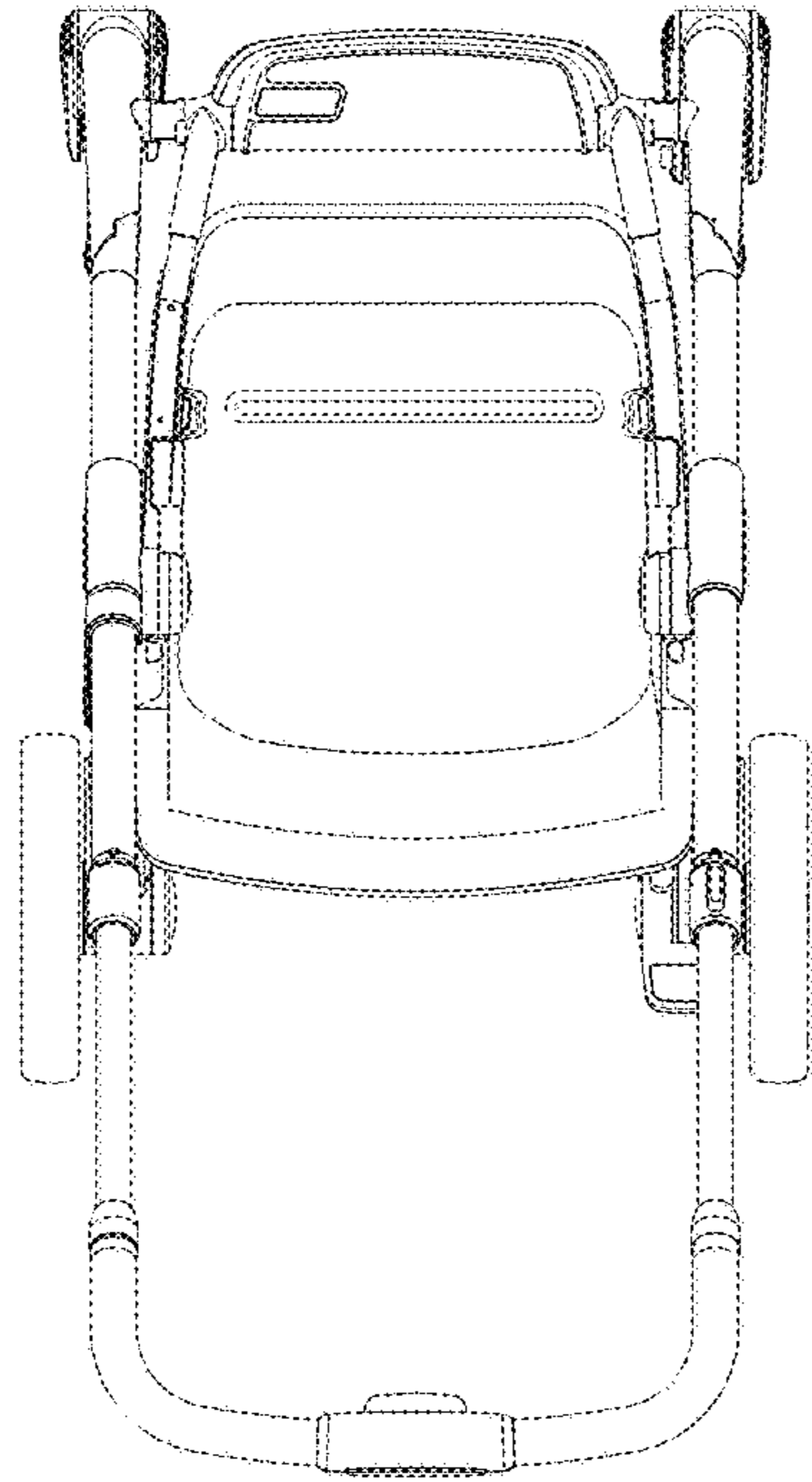


Fig. 5

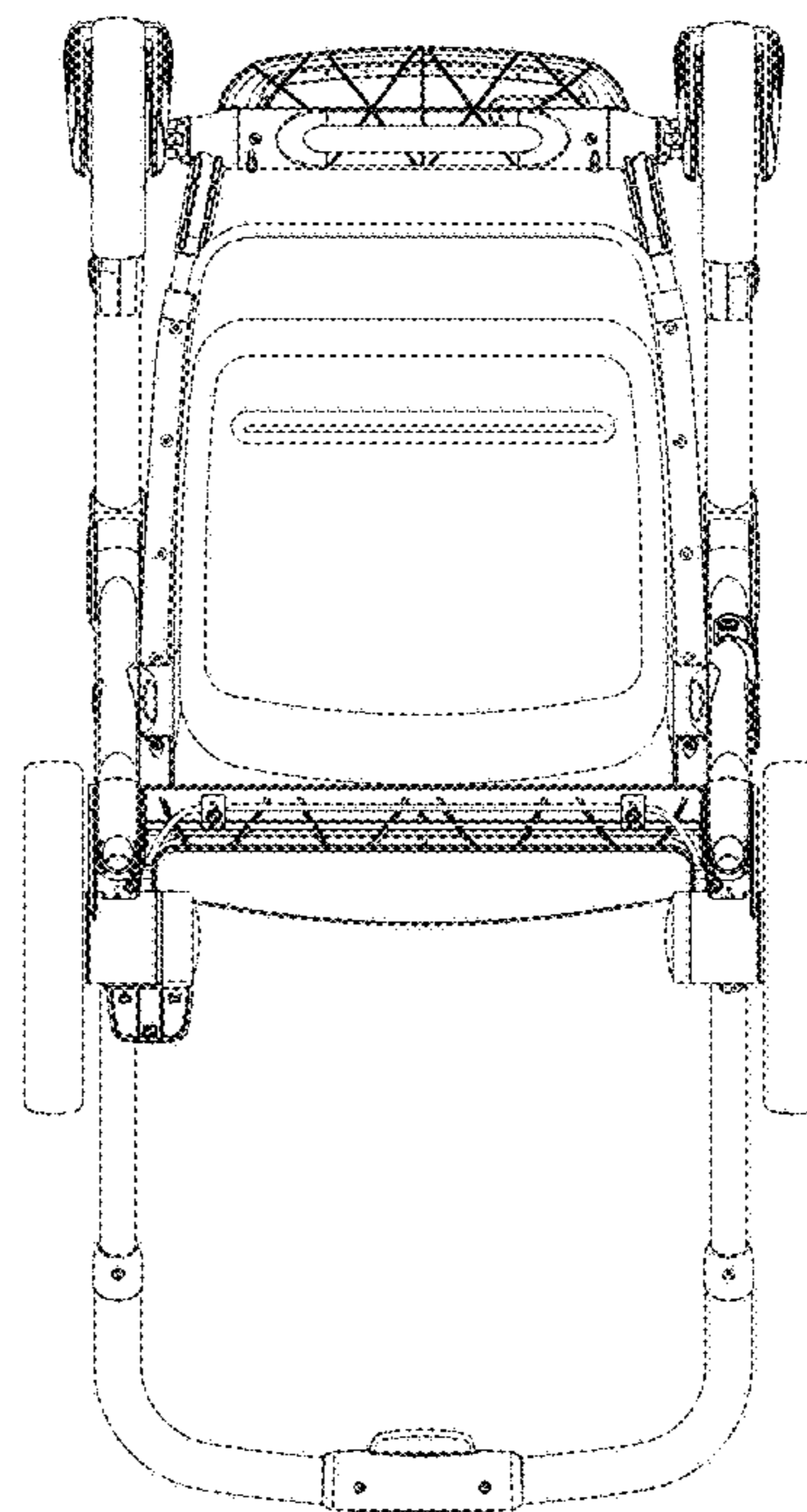


Fig. 6