



US00D835005S

(12) **United States Design Patent** (10) **Patent No.:** **US D835,005 S**  
**Behmer et al.** (45) **Date of Patent:** **\*\* Dec. 4, 2018**

(54) **VEHICLE EXTERIOR**

(71) Applicant: **Ford Global Technologies, LLC,**  
Dearborn, MI (US)

(72) Inventors: **Darrell P. Behmer,** Novi, MI (US);  
**Melvin Betancourt,** Shelby Township,  
MI (US); **Christopher Stevens,**  
Dearborn, MI (US); **Craig S. Metros,**  
Bloomfield, MI (US)

(73) Assignee: **Ford Global Technologies, LLC,**  
Dearborn, MI (US)

(\*\*) Term: **15 Years**

(21) Appl. No.: **29/627,552**

(22) Filed: **Nov. 28, 2017**

(51) **LOC (11) Cl.** ..... **12-08**

(52) **U.S. Cl.**  
USPC ..... **D12/92**

(58) **Field of Classification Search**  
USPC .... D12/86, 90-92; D21/424, 433, 434, 521,  
D21/533; 296/181.1-181.5, 183.1  
CPC ..... B62D 25/00; B62D 25/06; B62D 33/00;  
B62D 35/00  
See application file for complete search history.

(56) **References Cited**

U.S. PATENT DOCUMENTS

D710,762 S \* 8/2014 Mays ..... D12/92  
D714,690 S \* 10/2014 Mays ..... D12/92

D724,494 S \* 3/2015 Kaoud ..... D12/92  
D741,228 S \* 10/2015 Curic ..... D12/92  
D741,229 S \* 10/2015 Curic ..... D12/92  
D814,976 S \* 4/2018 Behmer ..... D12/92  
D821,921 S \* 7/2018 Scully ..... D12/92  
D821,922 S \* 7/2018 Behmer ..... D12/92

\* cited by examiner

*Primary Examiner* — Melody N Brown

(74) *Attorney, Agent, or Firm* — James Dottavio

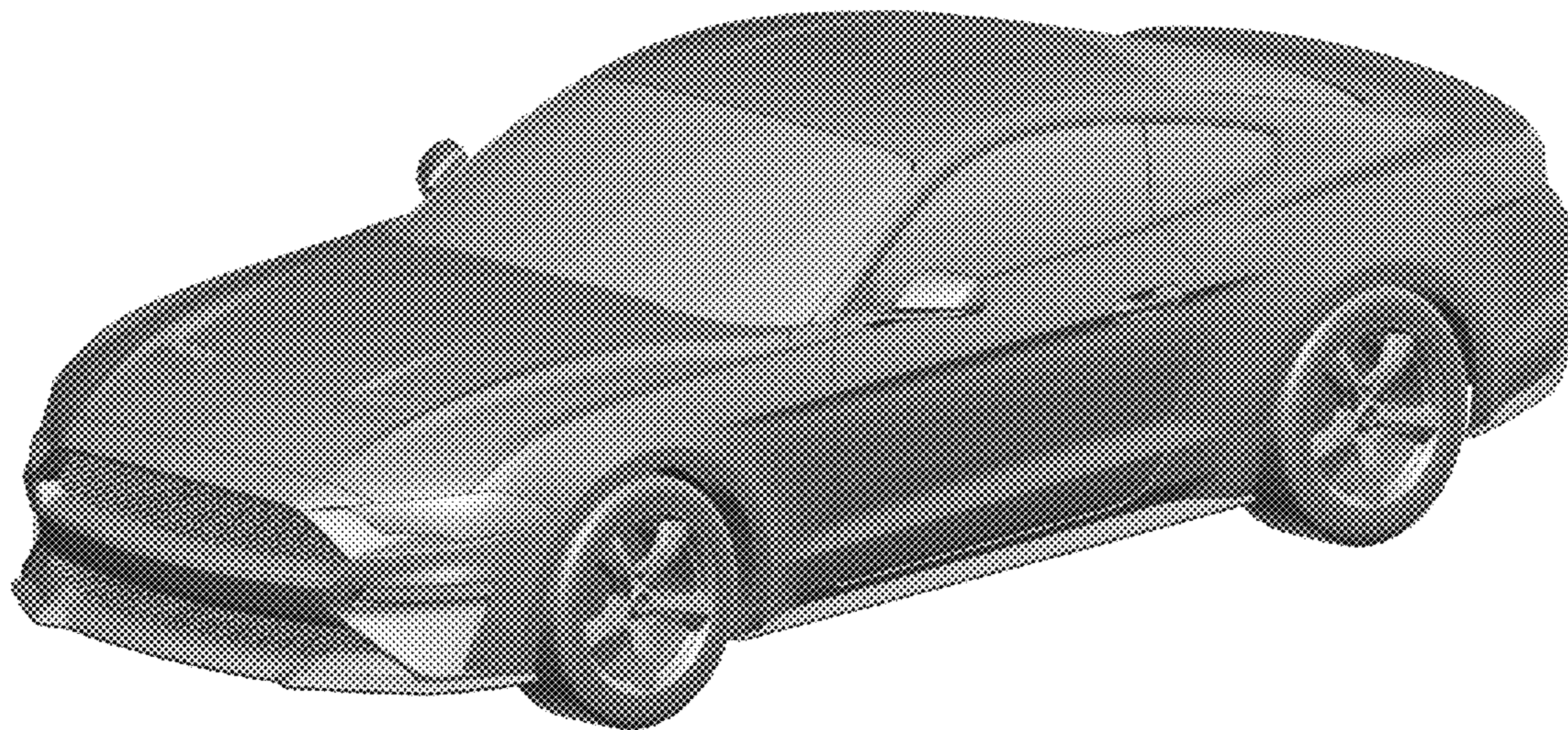
(57) **CLAIM**

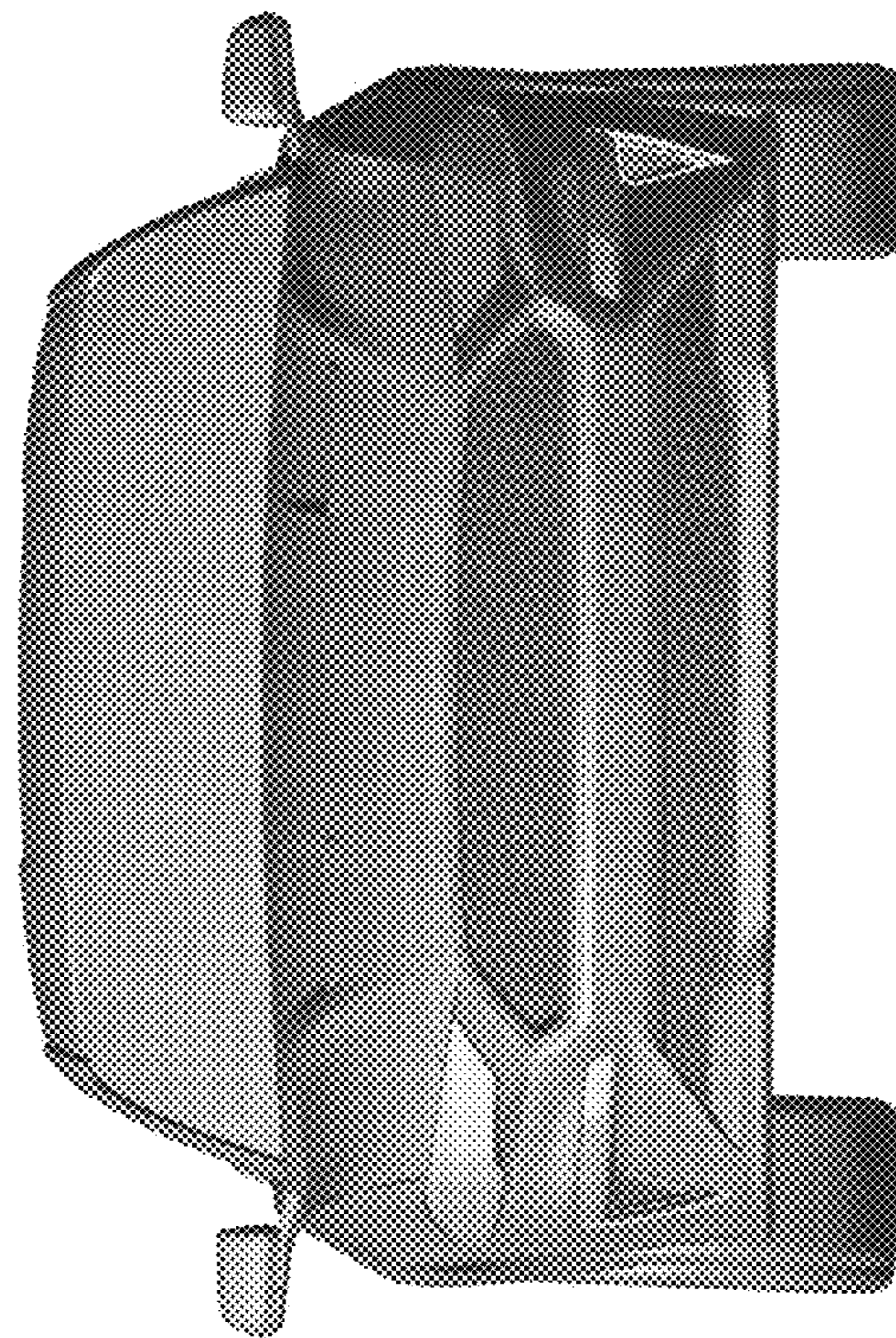
The ornamental design for a vehicle exterior, as shown and described.

**DESCRIPTION**

FIG. 1 is a front elevational view of a vehicle exterior showing our new design;  
FIG. 2 is a rear elevational view thereof;  
FIG. 3 is a left side elevational view thereof;  
FIG. 4 is a right side elevational view thereof;  
FIG. 5 is a top plan view thereof;  
FIG. 6 is a top, front, and left side perspective view thereof;  
and,  
FIG. 7 is a top, rear, and left side perspective view thereof.

**1 Claim, 7 Drawing Sheets**





*Fig. 1*

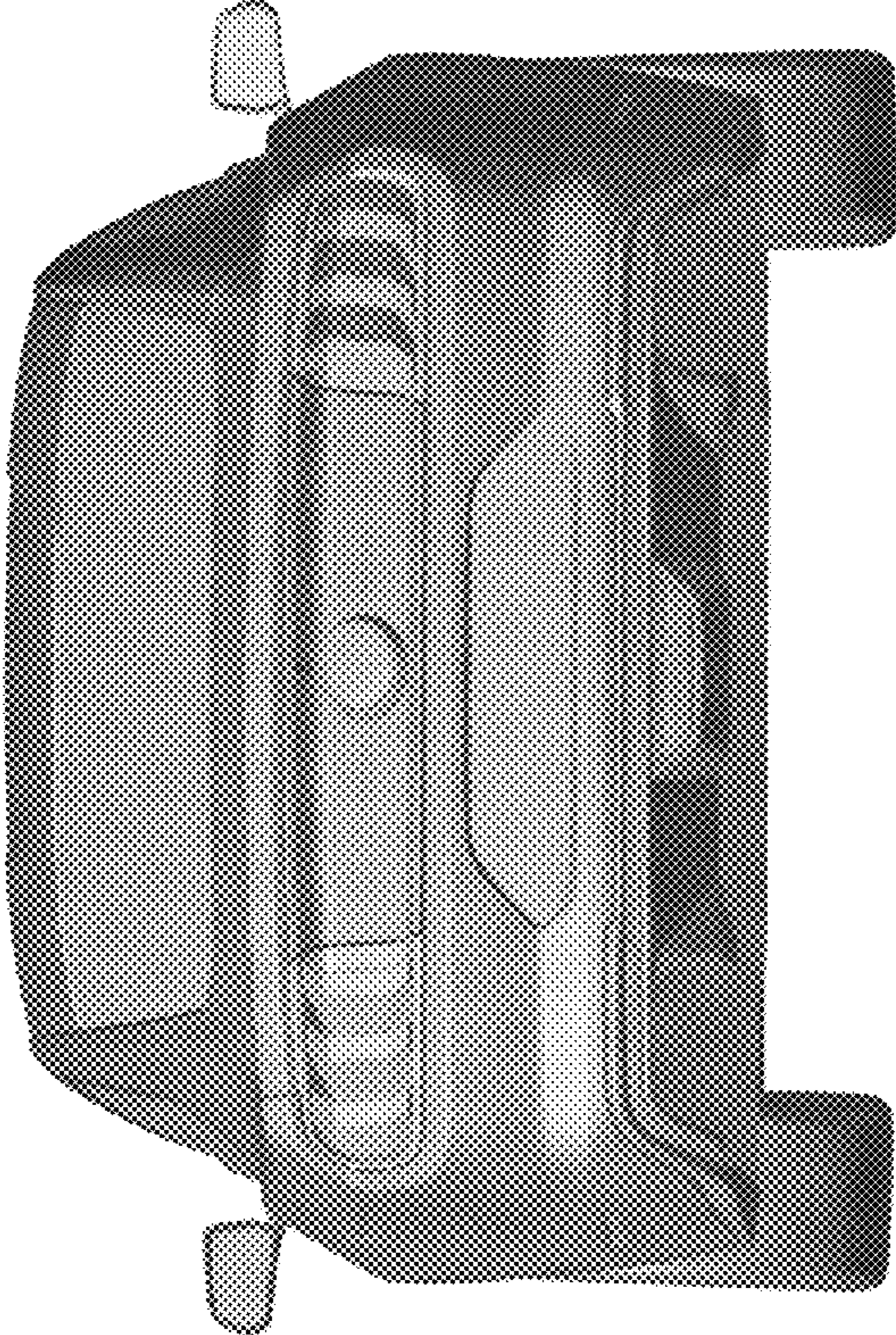


Fig. 2

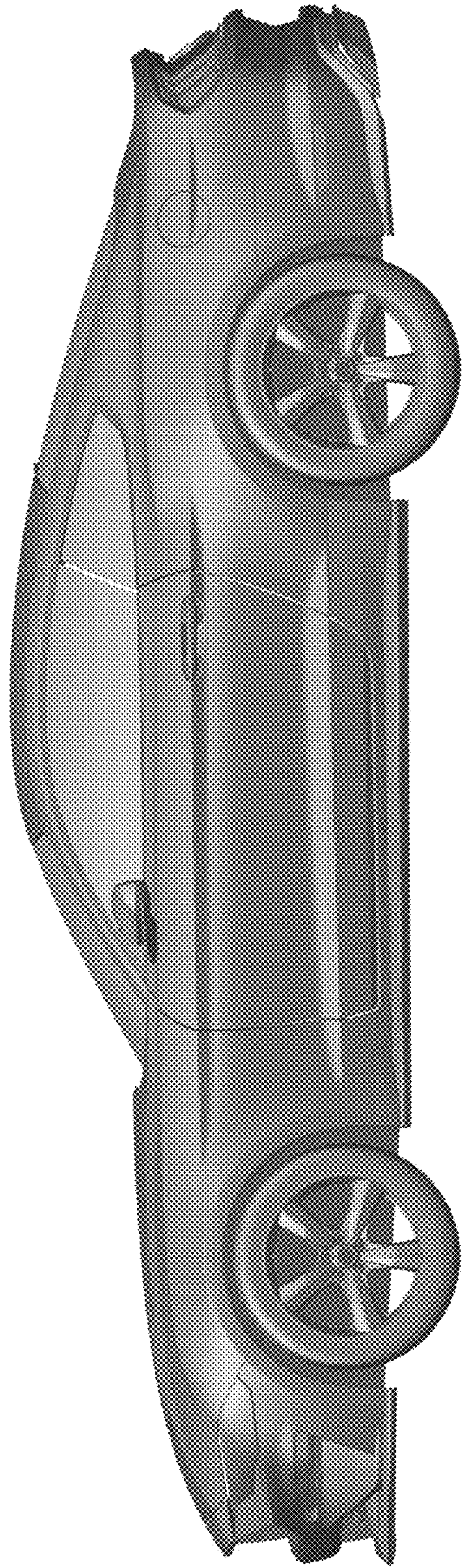


Fig. 3

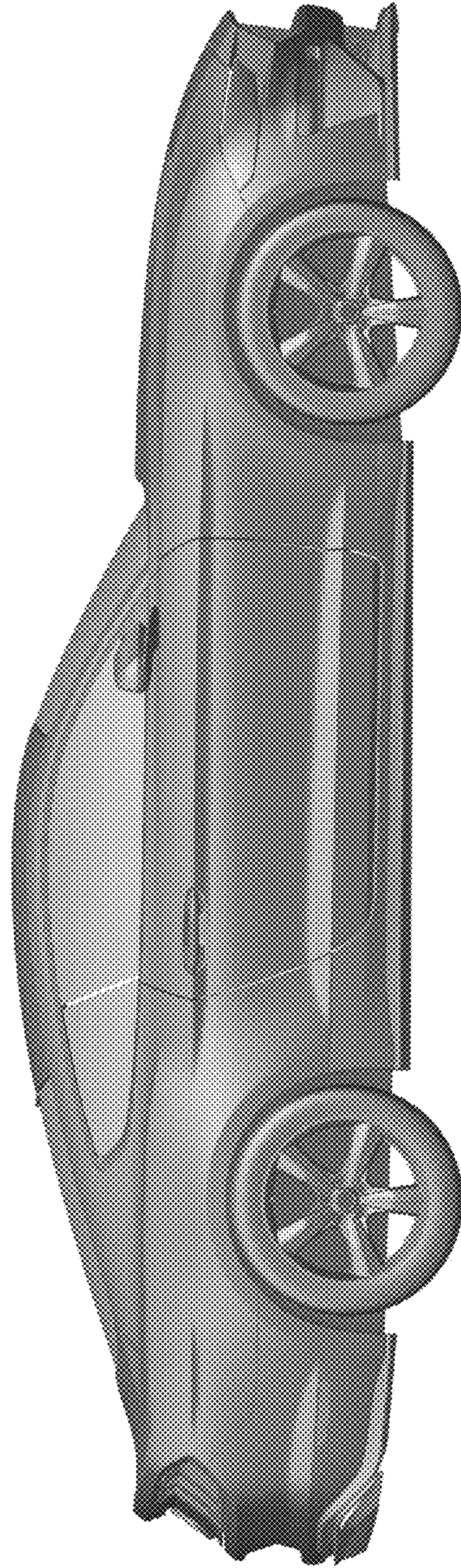


Fig. 4



Fig. 5

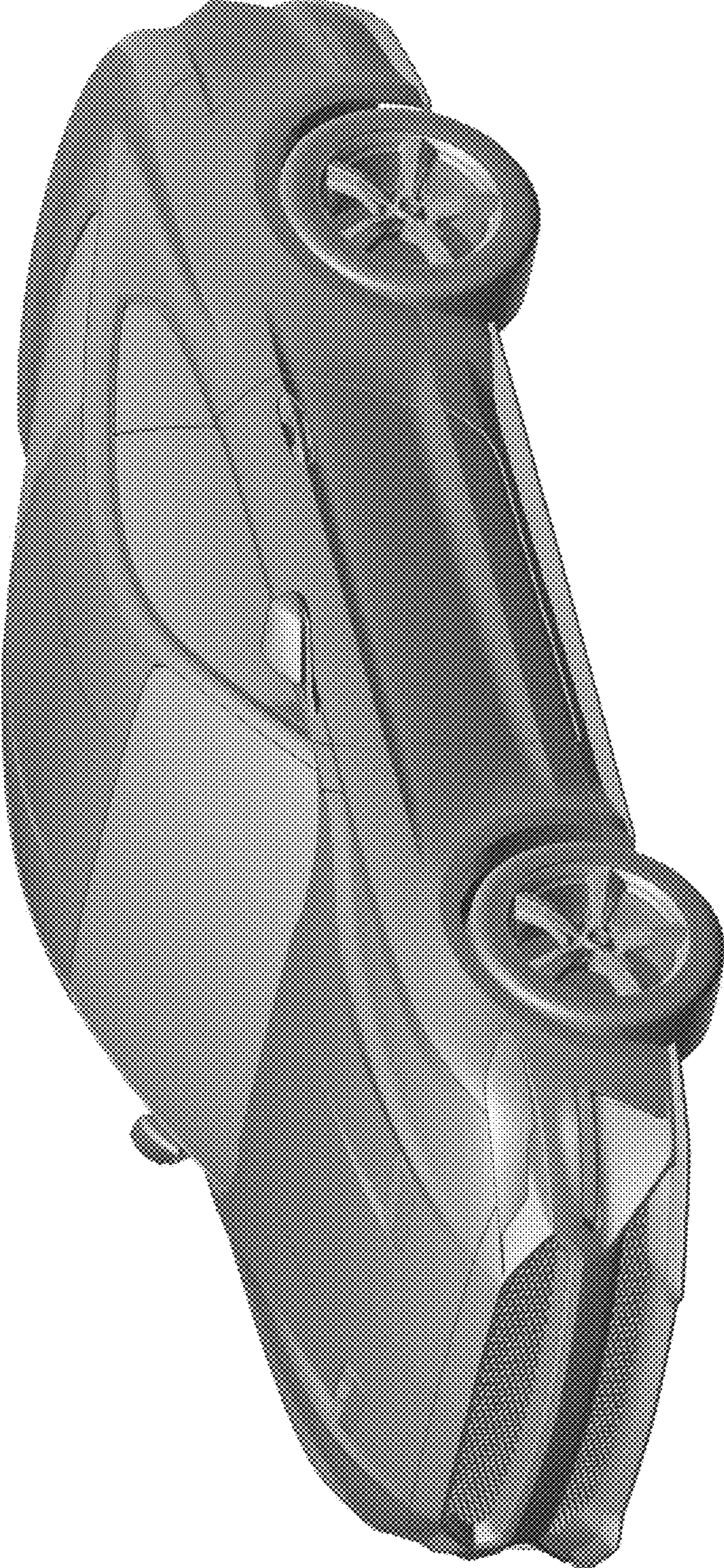


Fig. 6

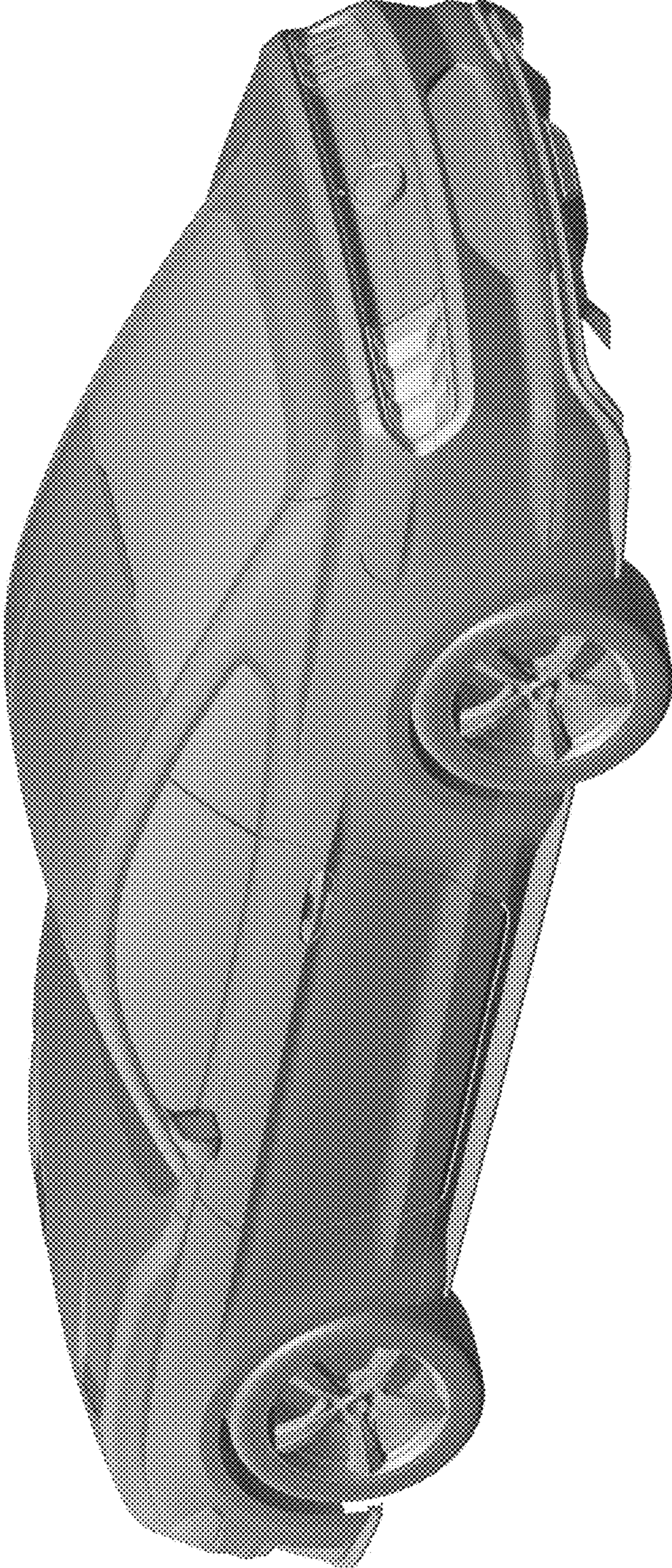


Fig. 7