



US00D835004S

(12) **United States Design Patent** (10) **Patent No.:** **US D835,004 S**  
**Donckerwolke** (45) **Date of Patent:** **\*\* Dec. 4, 2018**

(54) **MOTOR CAR**

(71) Applicant: **Bentley Motors Limited**, Cheshire (GB)

(72) Inventor: **Luc Donckerwolke**, Cheshire (GB)

(73) Assignee: **Bentley Motors Limited**, Crewe Cheshire (GB)

(\*\*) Term: **15 Years**

(21) Appl. No.: **29/556,444**

(22) Filed: **Mar. 1, 2016**

(30) **Foreign Application Priority Data**

Sep. 2, 2015 (EM) ..... 002764738

(51) **LOC (11) Cl.** ..... **12-08**

(52) **U.S. Cl.**  
USPC ..... **D12/92**

(58) **Field of Classification Search**  
USPC ..... D12/86, 90-92, 88; D21/421, 433, 434;  
296/181.1, 181.5  
CPC ..... B62D 35/00; B62D 25/00; B62D 25/06;  
B62D 33/00

See application file for complete search history.

(56) **References Cited**

**U.S. PATENT DOCUMENTS**

D574,752 S \* 8/2008 van Braeckel ..... D12/92  
D623,989 S \* 9/2010 Thurner ..... D12/92  
D658,545 S \* 5/2012 Van Braeckel ..... D12/91  
D685,679 S \* 7/2013 Van Braeckel ..... D12/92  
D686,535 S \* 7/2013 Van Braeckel ..... D12/92

D717,697 S \* 11/2014 van Braeckel ..... D12/92  
D753,031 S \* 4/2016 van Braeckel ..... D12/164  
D780,069 S \* 2/2017 Thurner ..... D12/92  
D782,367 S \* 3/2017 Donckerwolke ..... D12/92

**FOREIGN PATENT DOCUMENTS**

EM 001734419-0001 7/2010

**OTHER PUBLICATIONS**

(6) Digital Images, four (4) pages from European Design Reg. No. 001734419-0001 Published Jul. 26, 2010.

\* cited by examiner

*Primary Examiner* — Melody N Brown

(74) *Attorney, Agent, or Firm* — Tarolli, Sundheim, Covell & Tummino LLP; John A. Yirga, Esq.

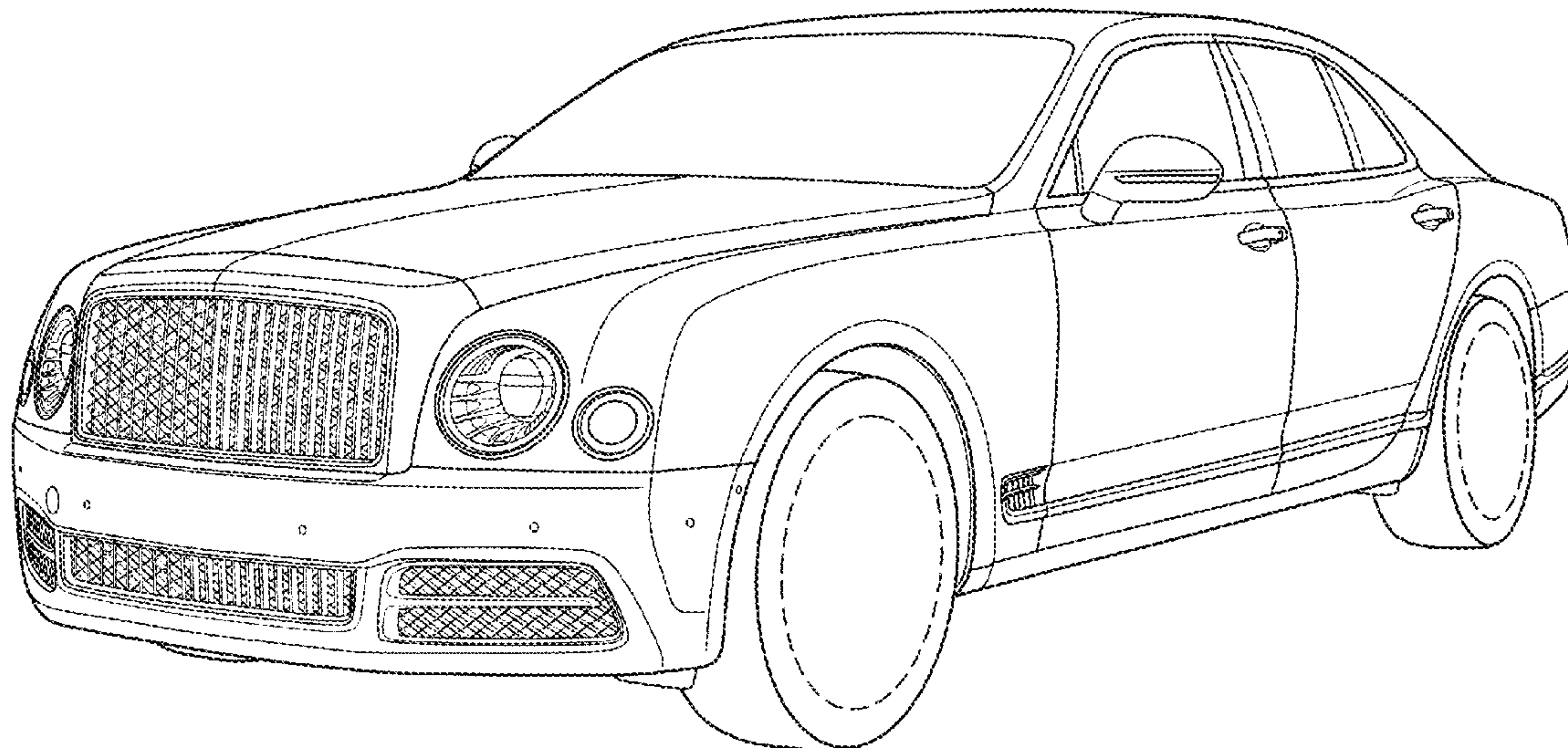
(57) **CLAIM**

The ornamental design for a motor car, as shown and described.

**DESCRIPTION**

FIG. 1 is a front elevation view of a motor car;  
FIG. 2 is a front perspective view thereof;  
FIG. 3 is a right side elevation view thereof;  
FIG. 4 is a left side elevation view thereof;  
FIG. 5 is a rear perspective view thereof;  
FIG. 6 is a rear elevation view thereof; and,  
FIG. 7 is a top plan view thereof.

**1 Claim, 7 Drawing Sheets**



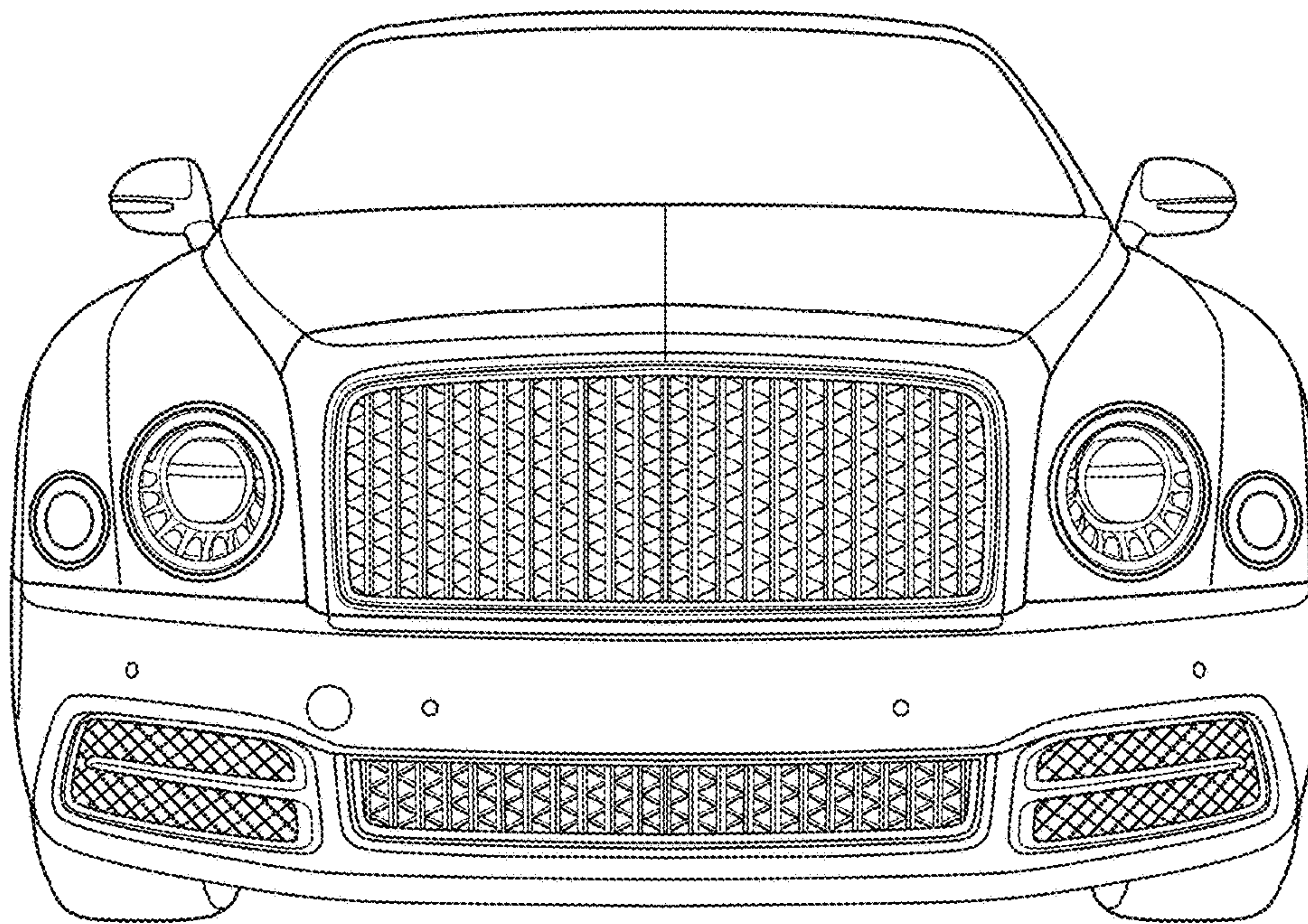


FIG. 1



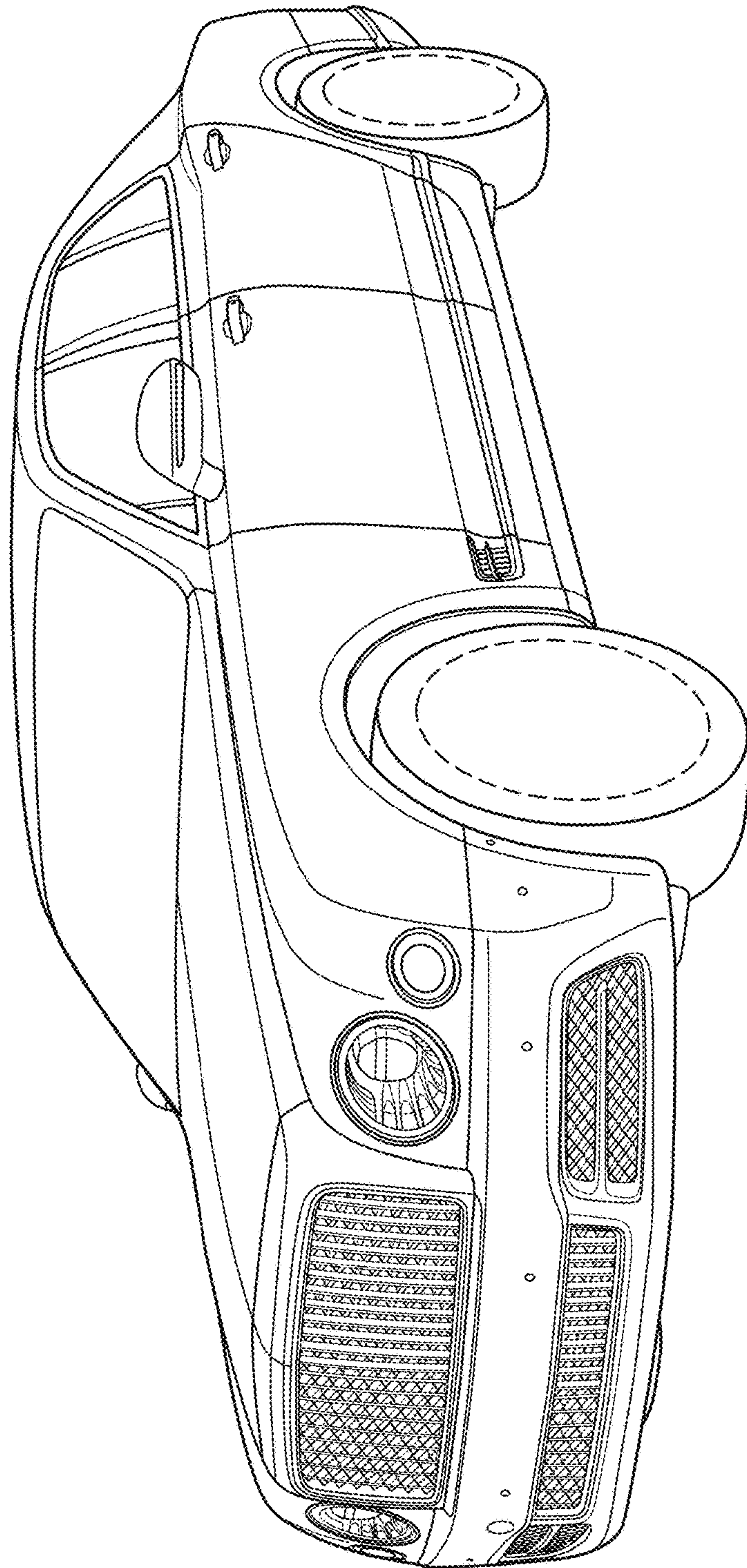


FIG. 2

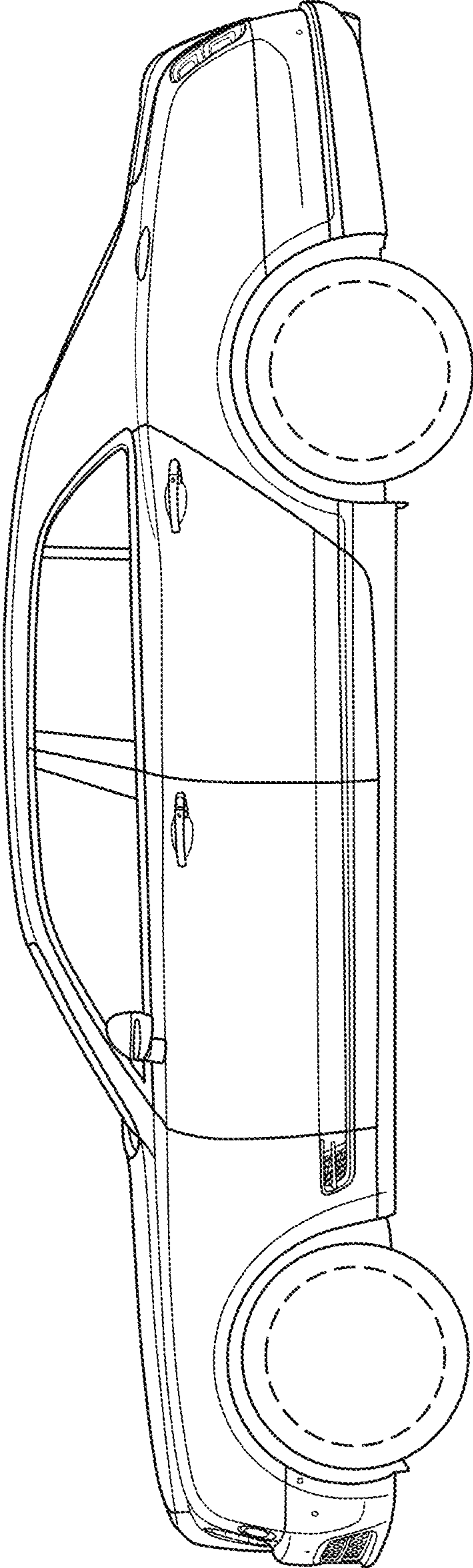


FIG. 3

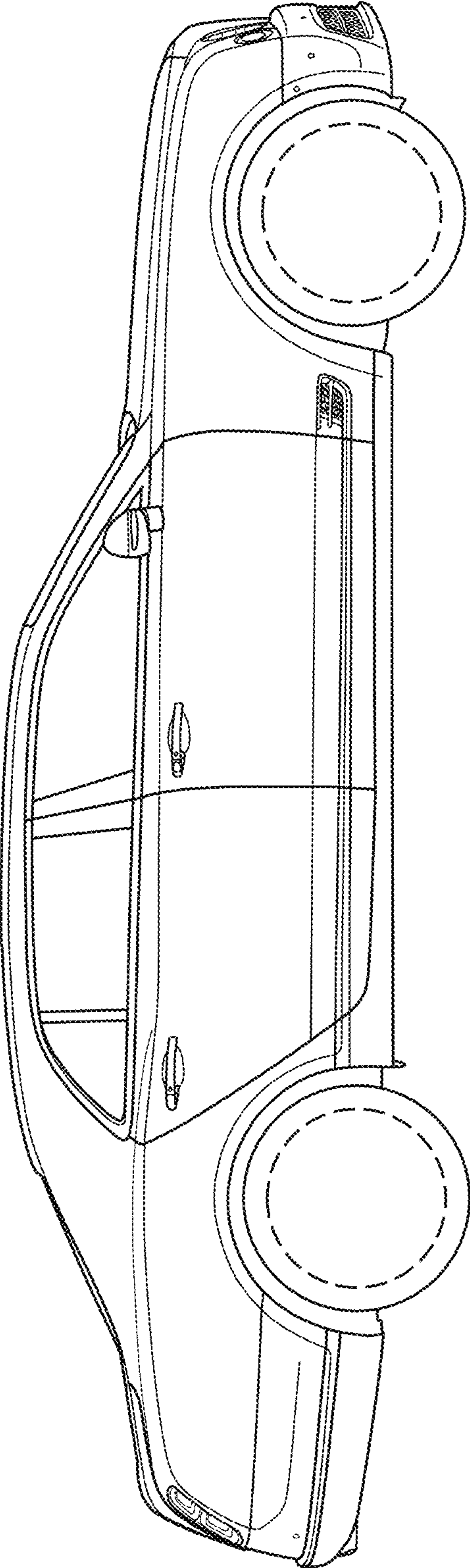


FIG. 4



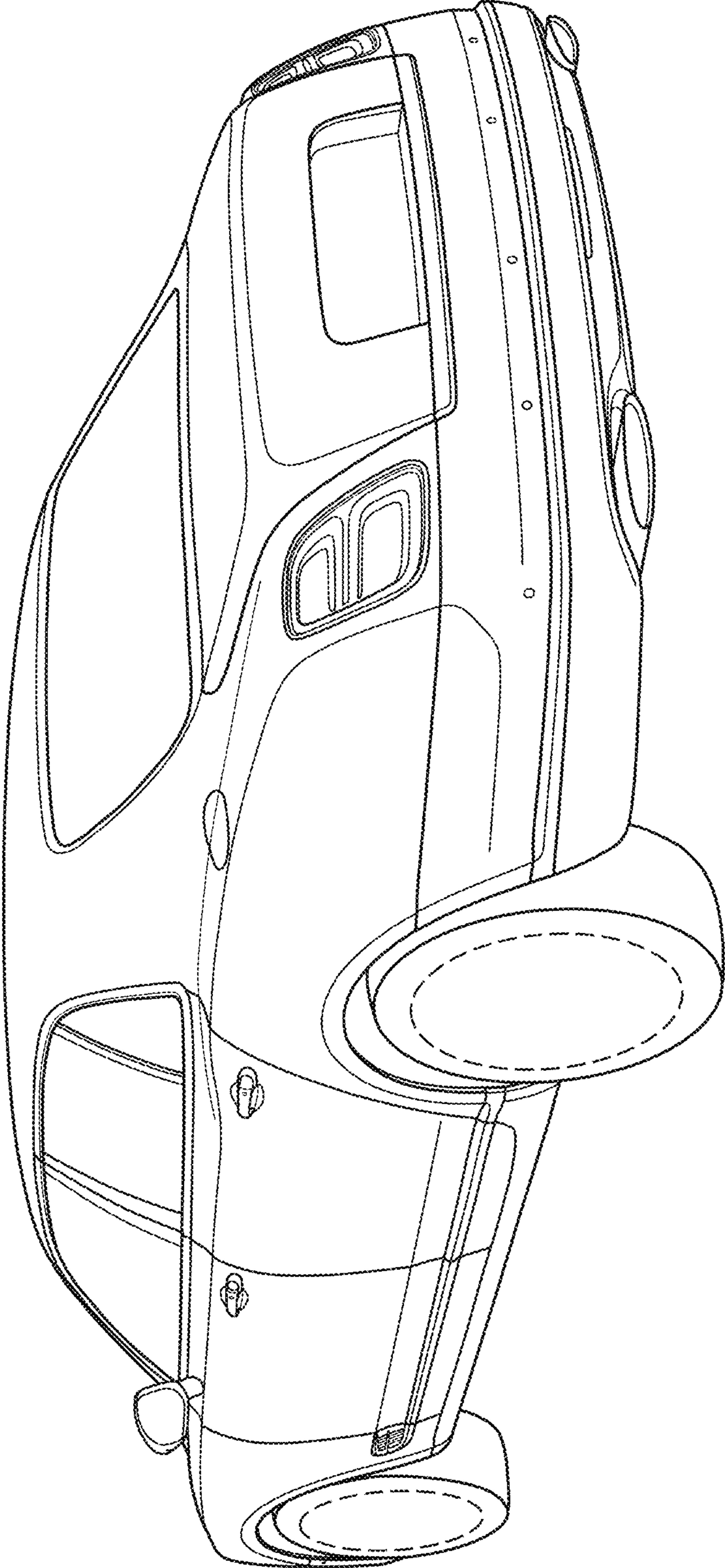


FIG. 5

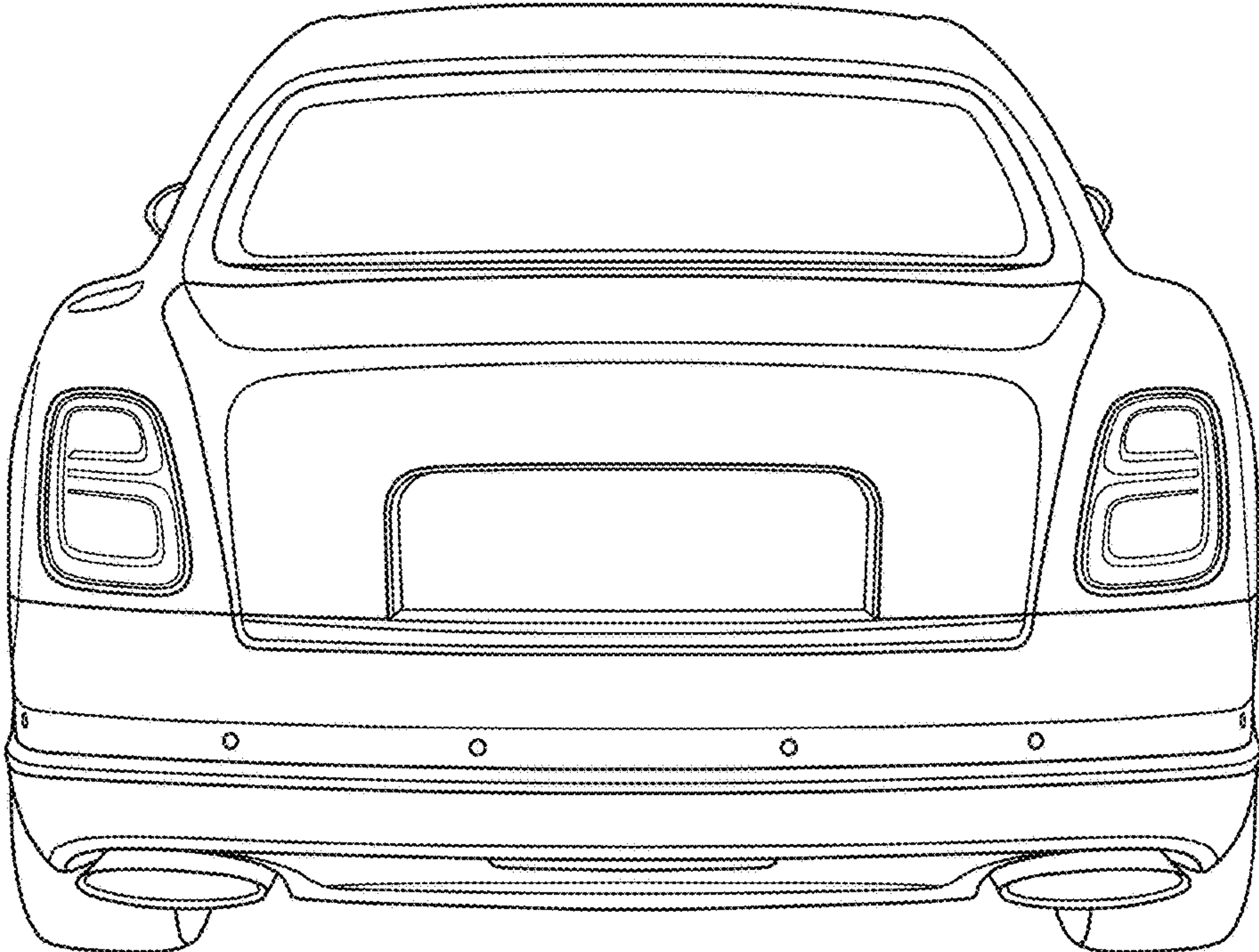


FIG. 6

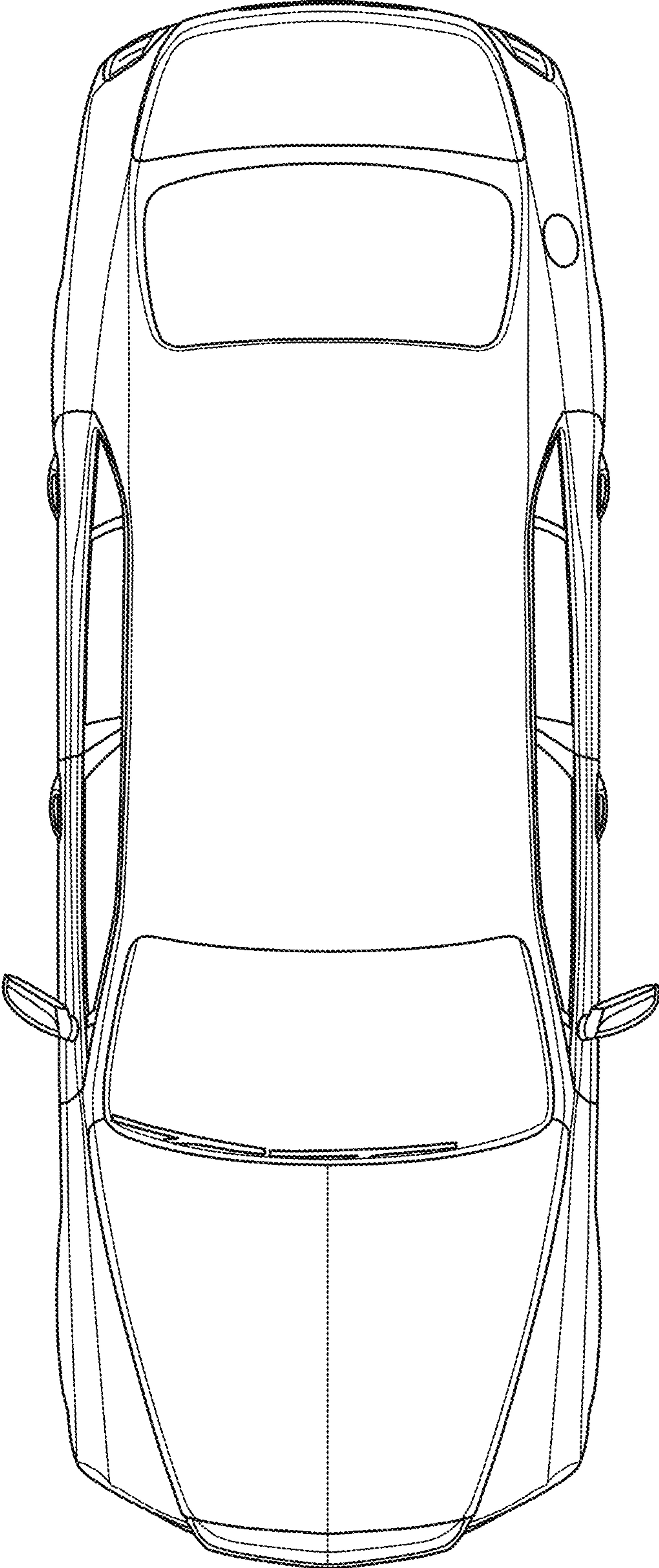


FIG. 7