



US00D834999S

(12) **United States Design Patent**
Ma et al.

(10) **Patent No.:** **US D834,999 S**

(45) **Date of Patent:** **** Dec. 4, 2018**

(54) **MOTOR VEHICLE**

(71) Applicant: **Beijing CHJ Automotive Technology Co., Ltd., Beijing (CN)**

(72) Inventors: **Donghui Ma, Beijing (CN); Jia Na, Beijing (CN)**

(73) Assignee: **Beijing CHJ Automotive Technology Co., Ltd., Beijing (CN)**

(**) Term: **15 Years**

(21) Appl. No.: **29/604,088**

(22) Filed: **May 15, 2017**

(51) **LOC (11) Cl.** **12-08**

(52) **U.S. Cl.**
USPC **D12/90**

(58) **Field of Classification Search**
CPC B60R 19/02; B60R 19/04; B62D 25/08
See application file for complete search history.

(56) **References Cited**

U.S. PATENT DOCUMENTS

- D678,819 S * 3/2013 Akamine D12/90
- D686,532 S * 7/2013 Lamm D12/91
- D696,606 S * 12/2013 Dong D12/90

- D731,923 S * 6/2015 Tanaka D12/91
- D736,119 S * 8/2015 Kaoud D12/91
- D741,224 S * 10/2015 Rugar D12/91
- D741,752 S * 10/2015 Messale D12/91
- D776,007 S * 1/2017 An D12/91
- D788,643 S * 6/2017 Bucher D12/91
- D819,494 S * 6/2018 Zhou D12/91

* cited by examiner

Primary Examiner — Melody N Brown

(74) *Attorney, Agent, or Firm* — Dorsey & Whitney LLP

(57) **CLAIM**

We claim the ornamental design for a motor vehicle, substantially as shown and described.

DESCRIPTION

FIG. 1 is a front perspective view of an automobile showing my new design;

FIG. 2 is a rear perspective view thereof;

FIG. 3 is a front elevation view thereof;

FIG. 4 is a rear elevation view thereof;

FIG. 5 is a left side elevation view thereof;

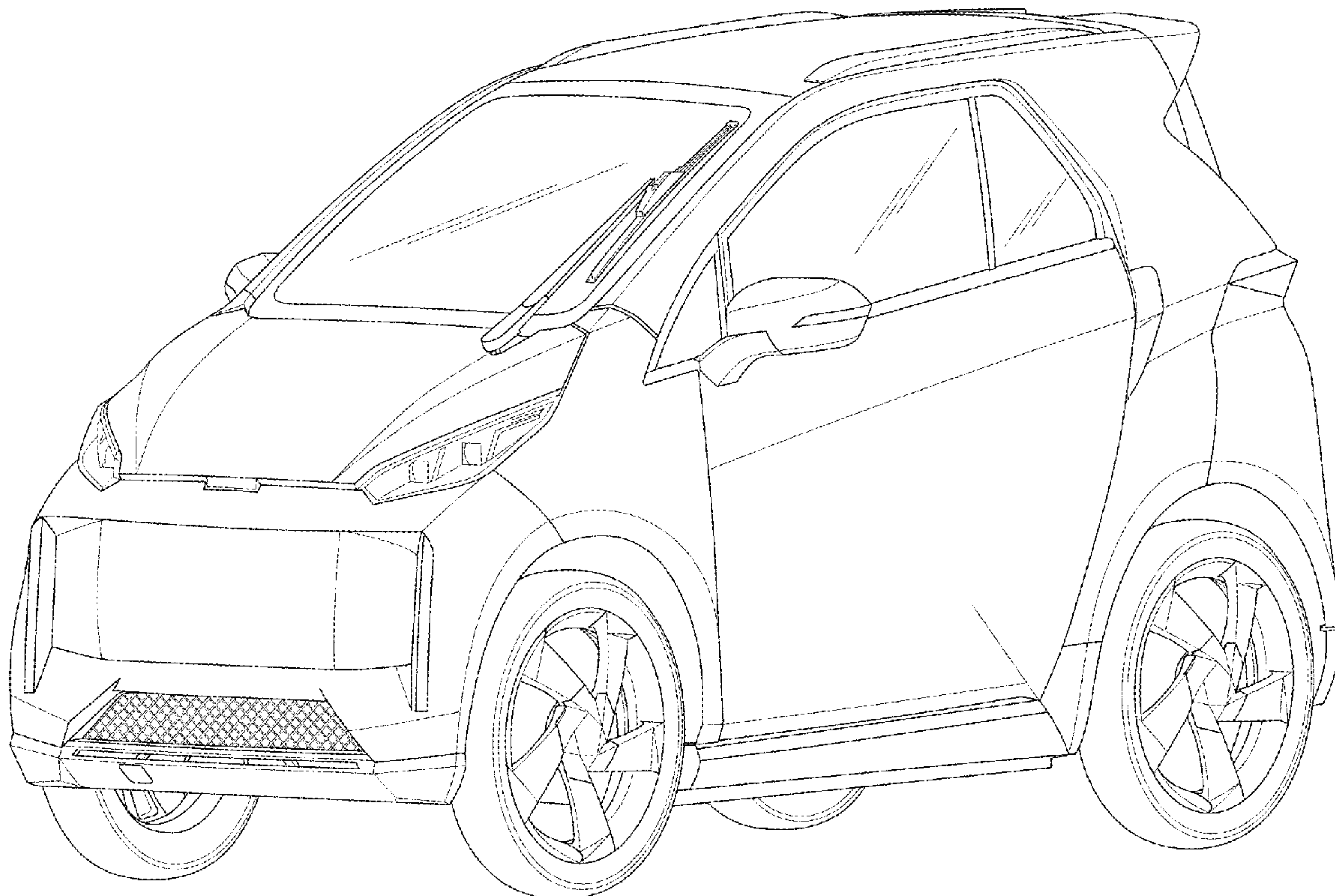
FIG. 6 is a right side elevation view thereof;

FIG. 7 is a top plan view thereof; and,

FIG. 8 is a bottom plan view thereof.

The portions of the vehicle shown in broken lines are for environmental and illustrative purposes only and form no part of the claimed design.

1 Claim, 7 Drawing Sheets



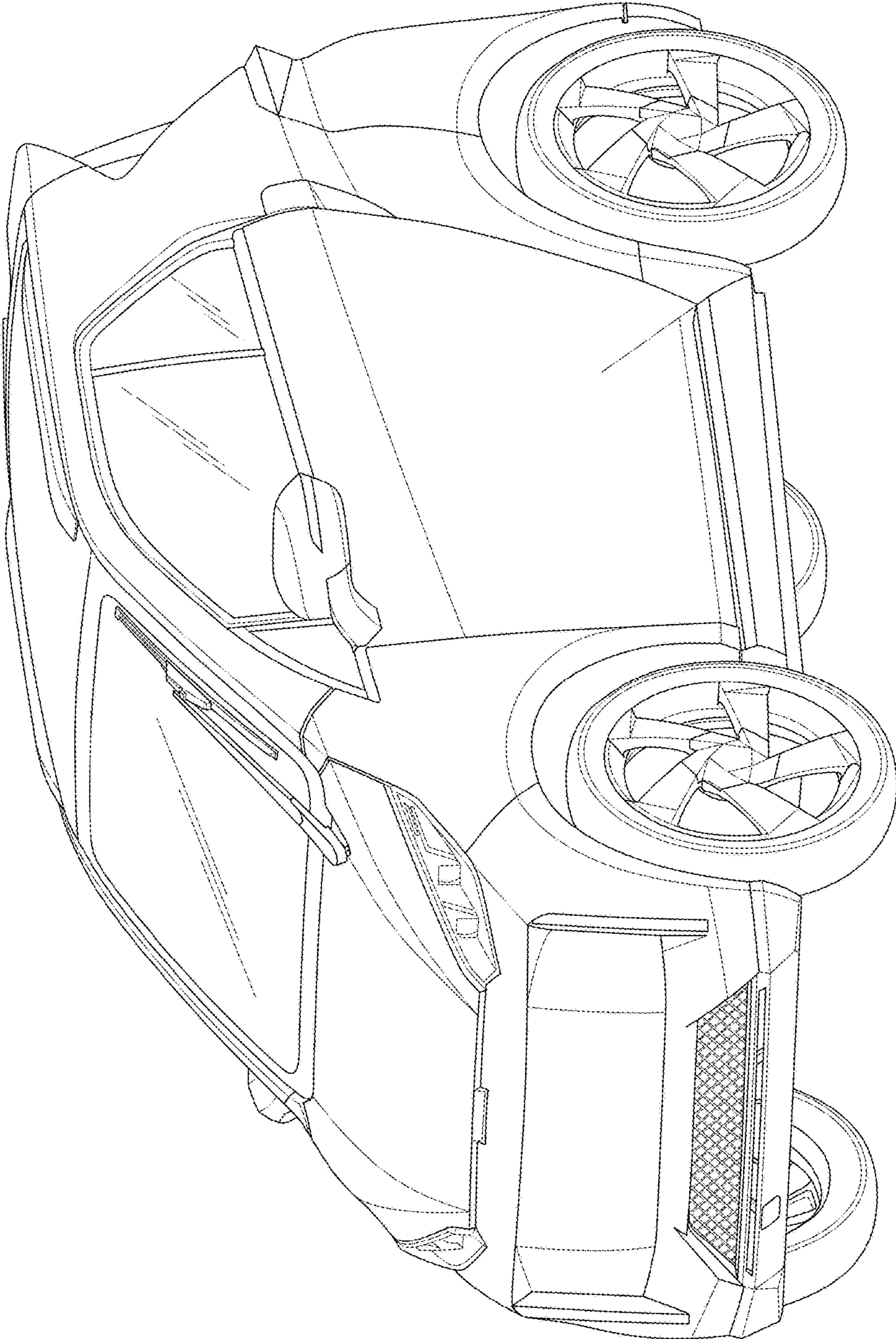


FIG. 1

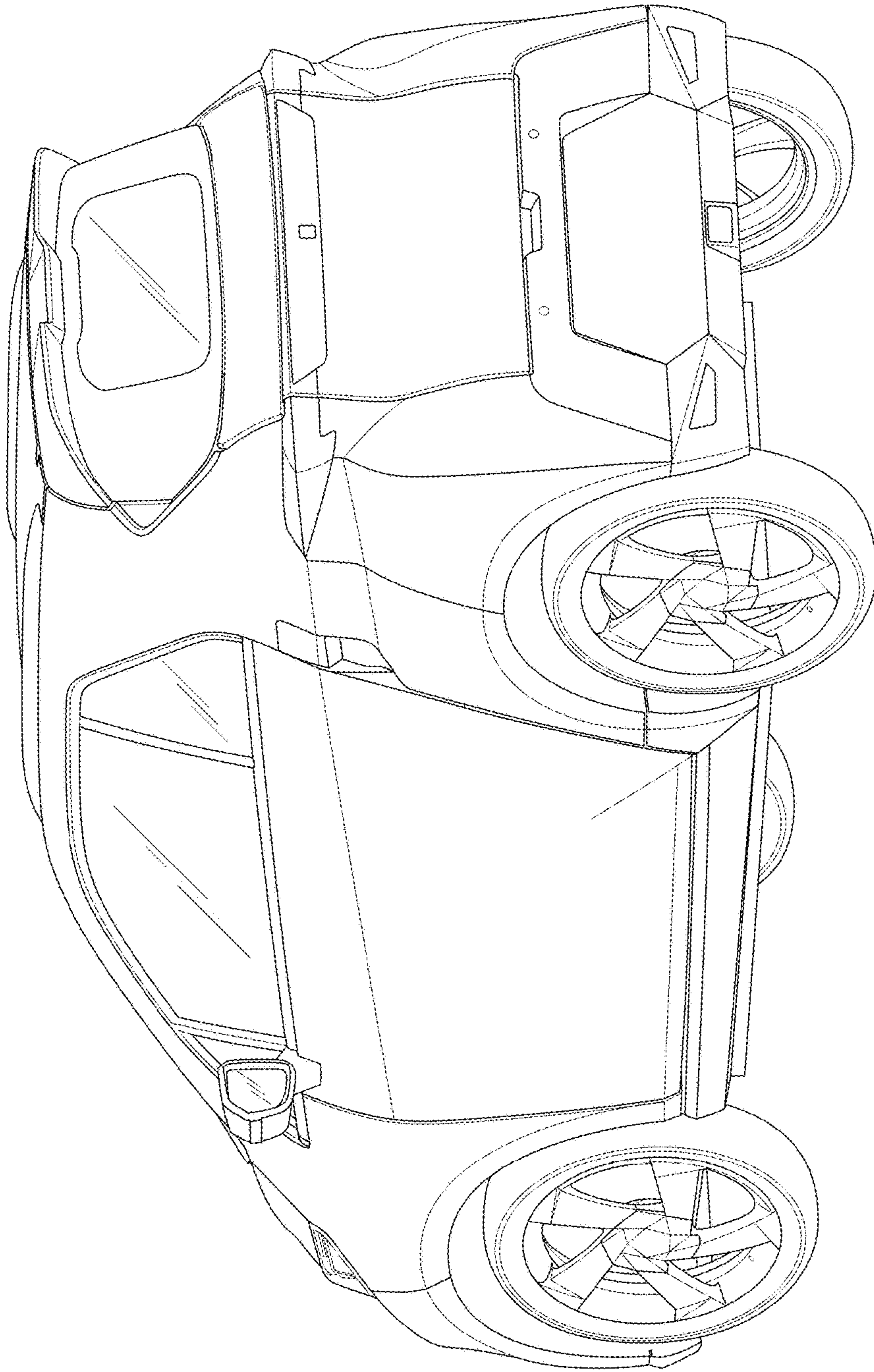


FIG. 2

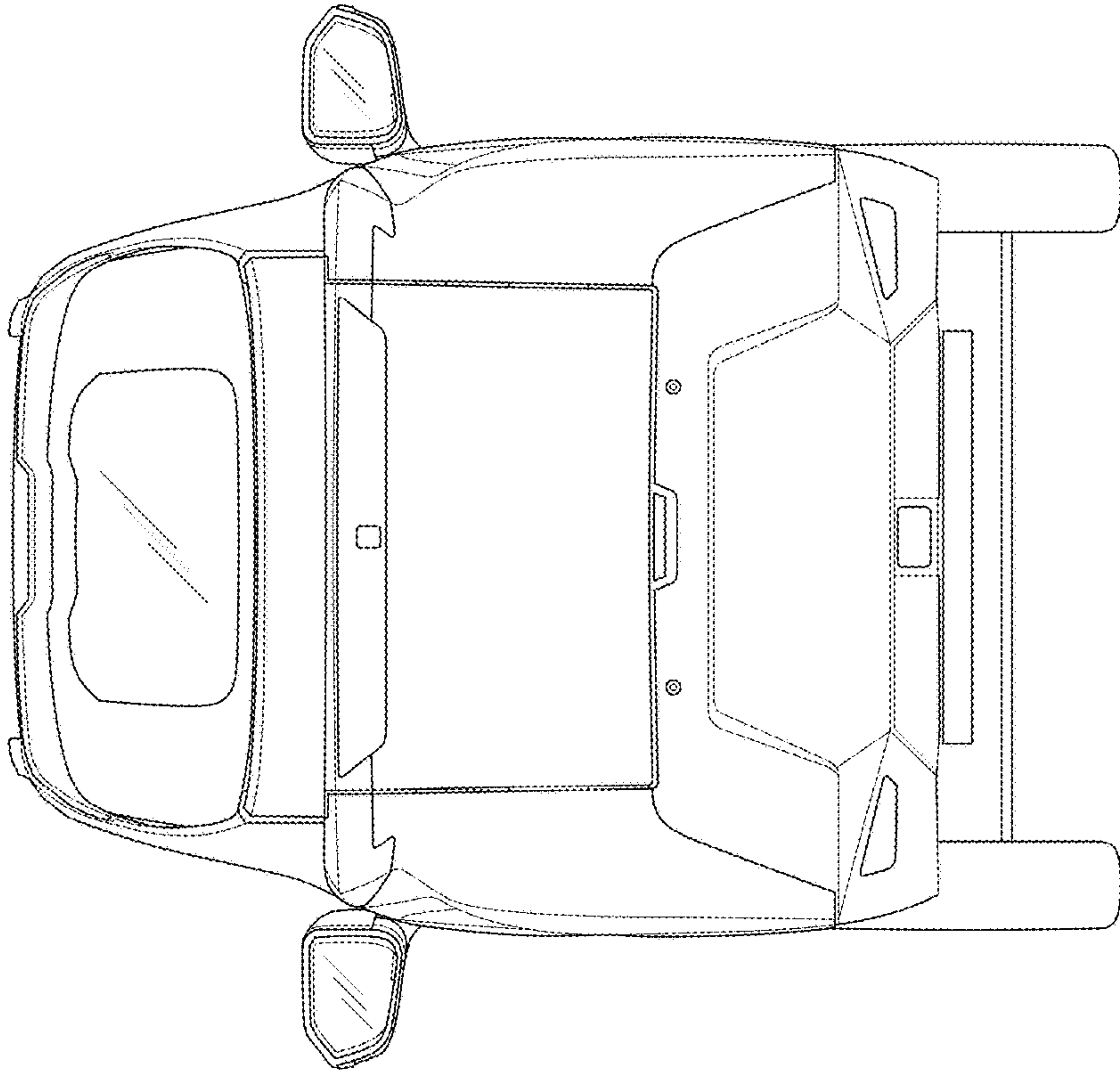


FIG. 4

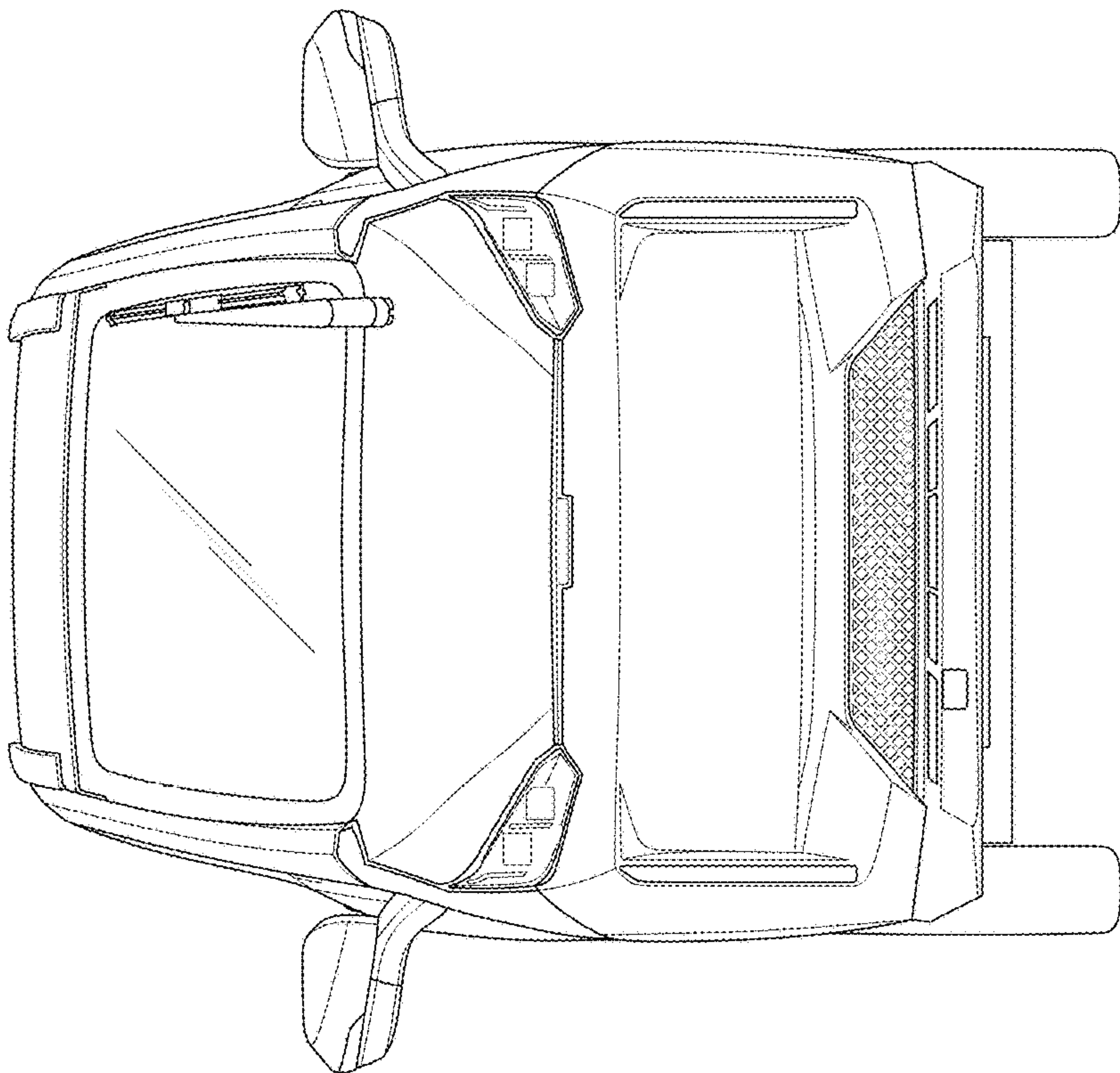


FIG. 3

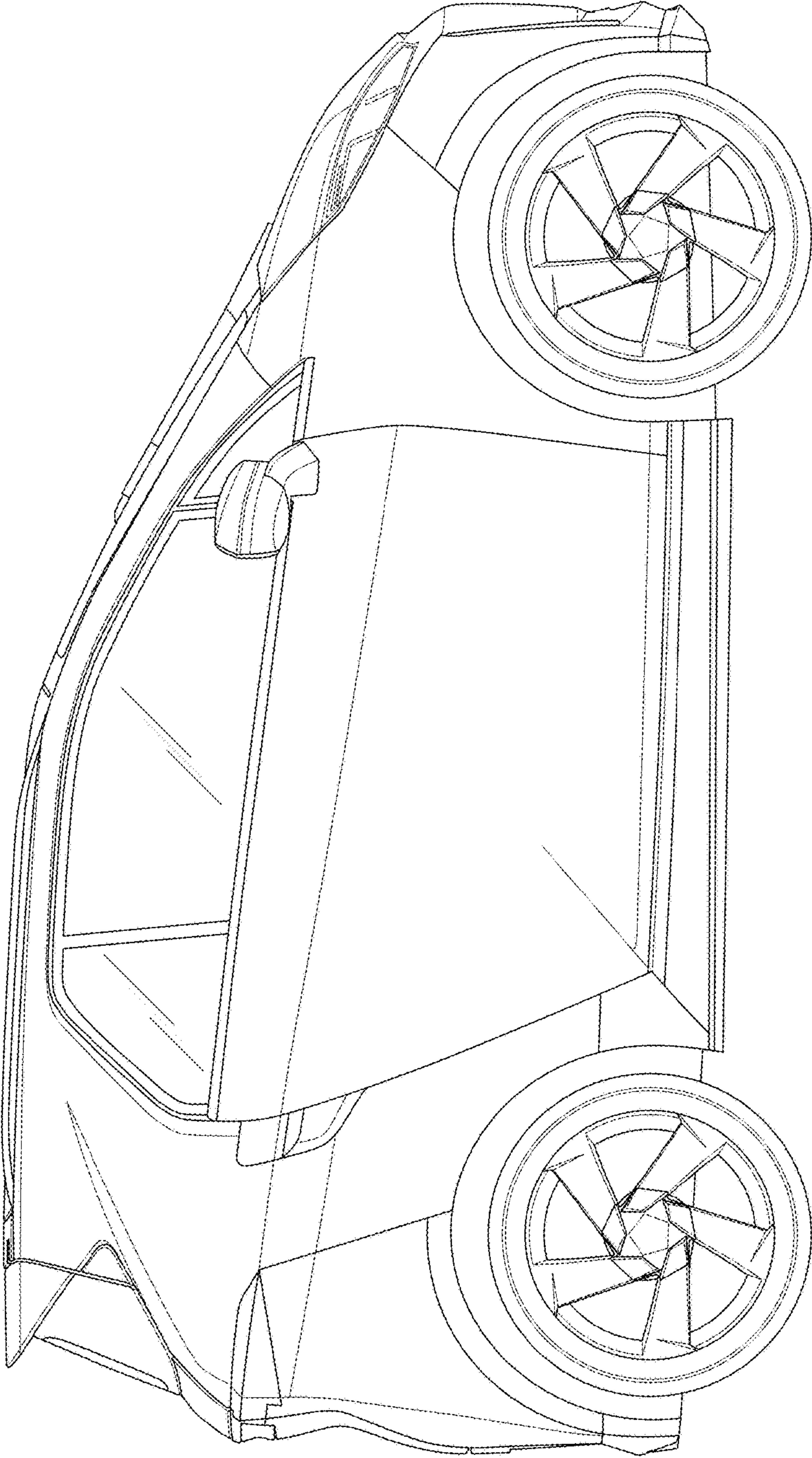


FIG. 5

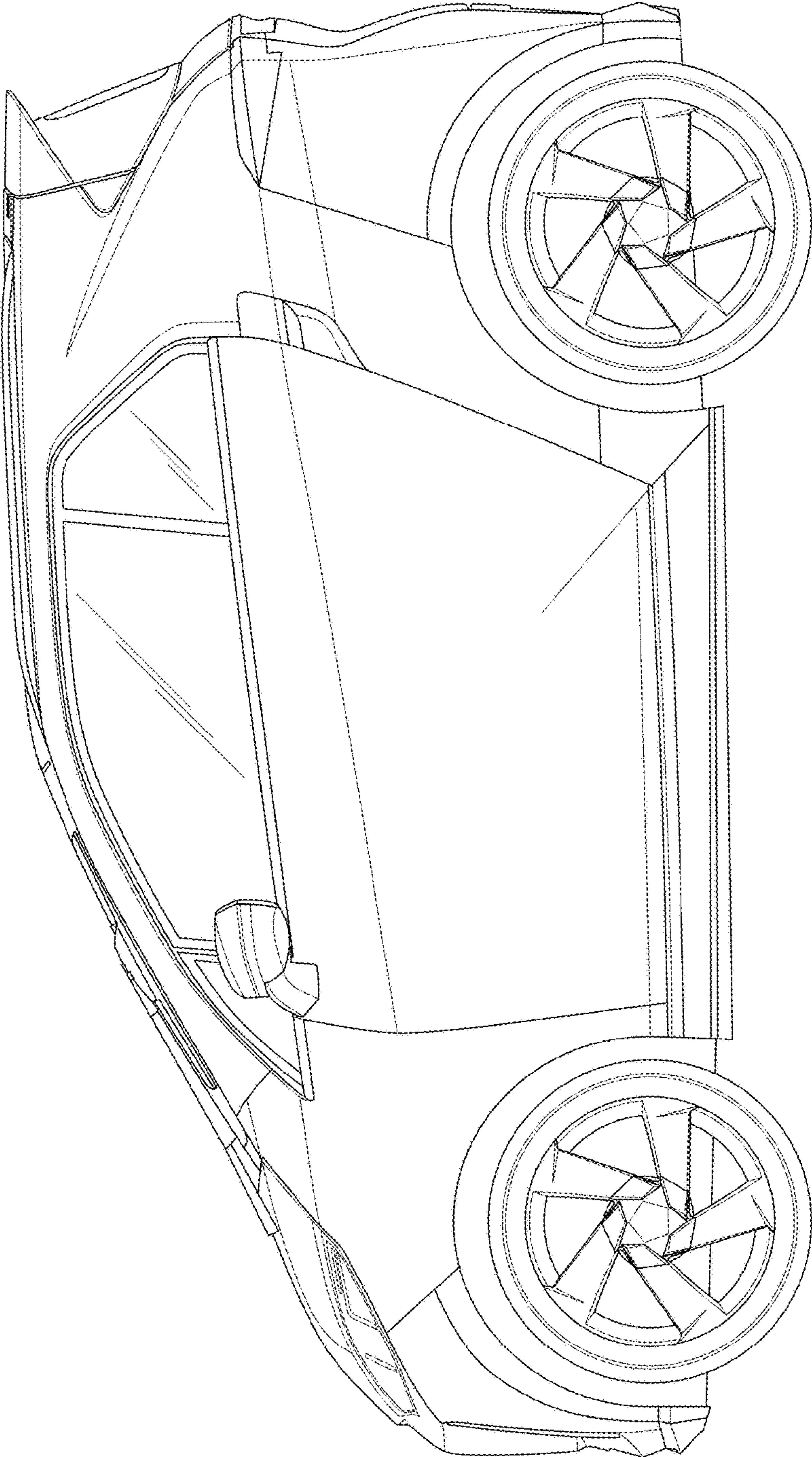


FIG. 6

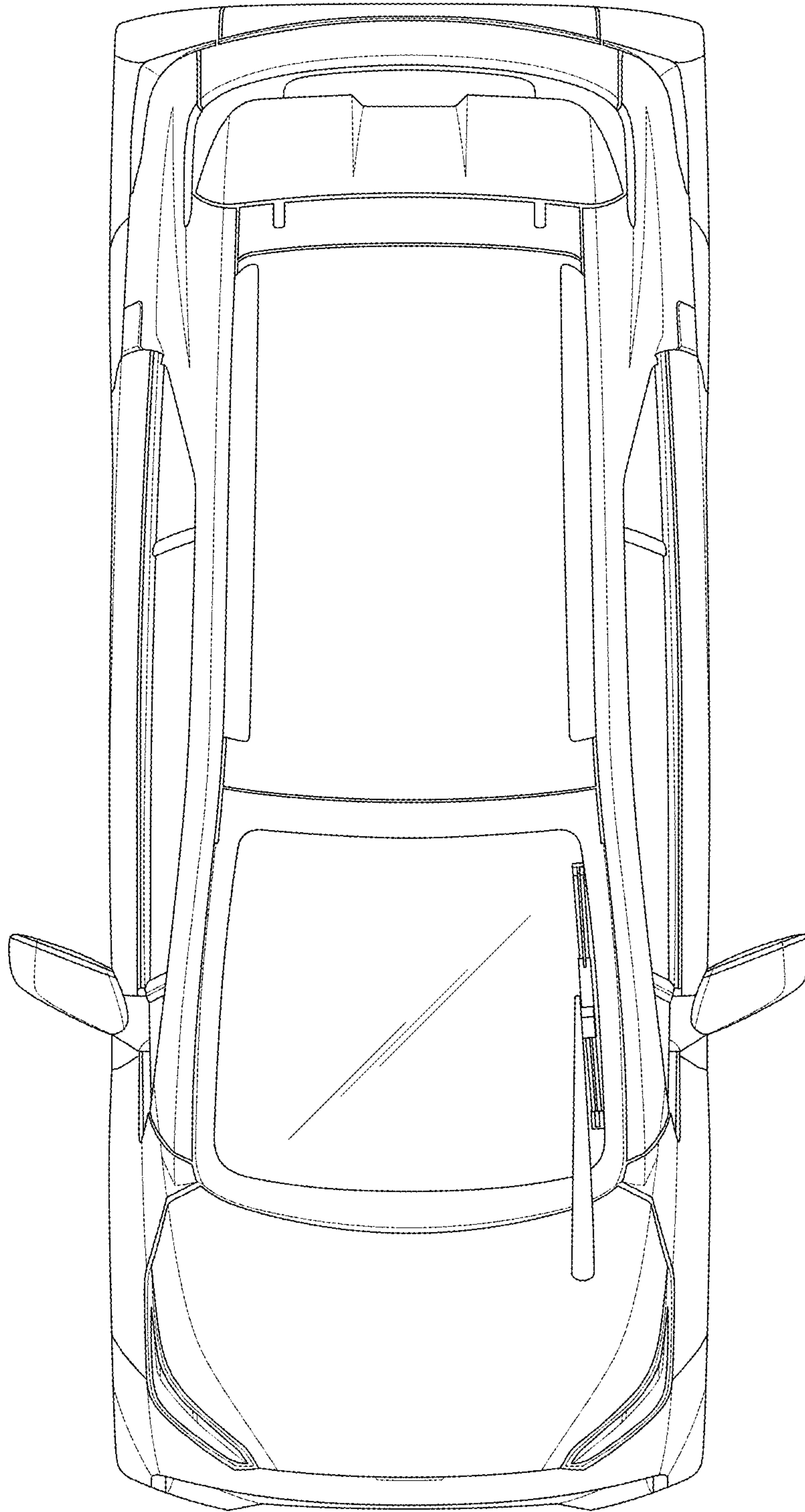


FIG. 7

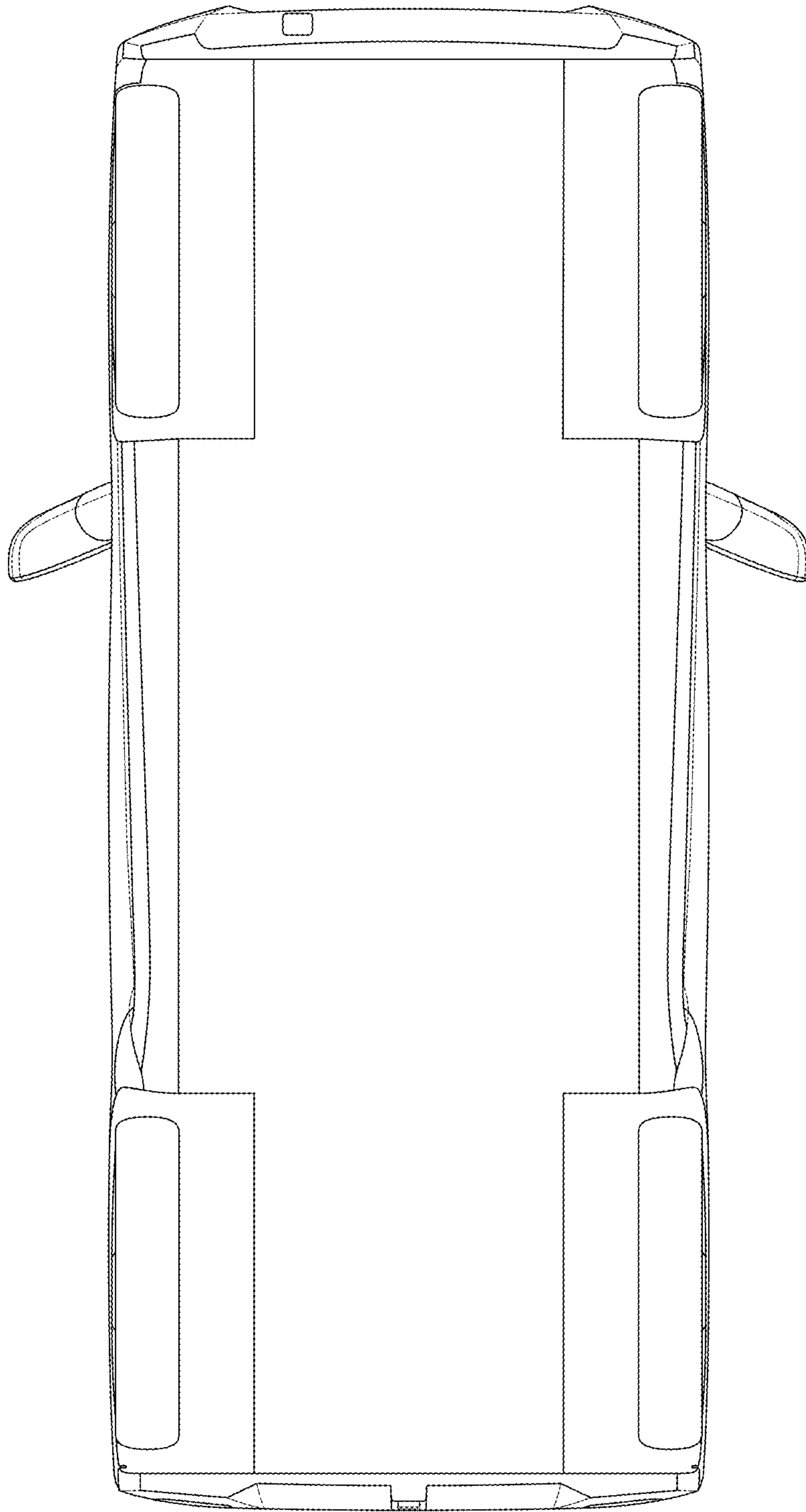


FIG. 8