

US00D834993S

(12) **United States Design Patent** (10) **Patent No.:** **US D834,993 S**
Krus (45) **Date of Patent:** **** Dec. 4, 2018**

- (54) **SEEDLING CONTAINER**
- (71) Applicant: **Taylor Precision Products, Inc.**,
Seattle, WA (US)
- (72) Inventor: **Matthew Krus**, Seattle, WA (US)
- (73) Assignee: **Lifetime Brands, Inc.**, Garden City,
NY (US)
- (**) Term: **15 Years**
- (21) Appl. No.: **29/604,375**
- (22) Filed: **May 17, 2017**
- (51) **LOC (11) Cl.** **11-02**
- (52) **U.S. Cl.**
USPC **D11/152**
- (58) **Field of Classification Search**
USPC D6/403-405, 556-558, 675;
D11/143-156, 164; D9/428, 500, 519,
D9/549; D3/306; D7/522, 524, 537
CPC A01G 9/02; A01G 9/021; A01G 9/028;
A01G 9/029; A01G 9/04; A01G 9/042;
A01G 9/045; A47G 7/00; A47G 7/006;
A47G 7/02; A47G 7/025; A47G 7/04;
A47G 7/044; A47G 7/06
See application file for complete search history.

- (56) **References Cited**
U.S. PATENT DOCUMENTS
3,704,776 A * 12/1972 Collins A47G 7/06
206/216
4,106,657 A * 8/1978 Dogliotti A23G 1/545
220/23.4
D261,105 S * 10/1981 Schwartz D9/504
D266,316 S * 9/1982 Du Vall D10/96
D266,535 S * 10/1982 Sarpaneva D26/10
D302,384 S * 7/1989 Holewinski D9/526
D310,244 S * 8/1990 Evenson D19/81
D320,739 S * 10/1991 Camus D23/366

- D322,753 S * 12/1991 Sussman D11/152
- 5,147,040 A * 9/1992 Koike B65D 85/67
206/410
- 5,212,905 A * 5/1993 Philoctete A01G 25/00
47/21.1
- D371,739 S * 7/1996 Van Dyk D9/502
- 7,758,711 B1 * 7/2010 Querubin A01G 9/02
156/293
- D696,763 S * 12/2013 Li D23/366
- D700,102 S * 2/2014 Salojarvi D11/145
- D712,192 S * 9/2014 Prueksapornpong D7/354
- D719,788 S * 12/2014 Soltz D7/624.2
- D733,859 S * 7/2015 Hsiao D23/366
- D766,127 S * 9/2016 Siegel D11/152
- D780,533 S * 3/2017 Seiders D7/608
- D814,345 S * 4/2018 Siegel D11/152
- 2017/0020095 A1 * 1/2017 Kamholz A01G 27/005

* cited by examiner

Primary Examiner — Elizabeth A. Albert
(74) *Attorney, Agent, or Firm* — Seed Intellectual
Property Law Group LLP

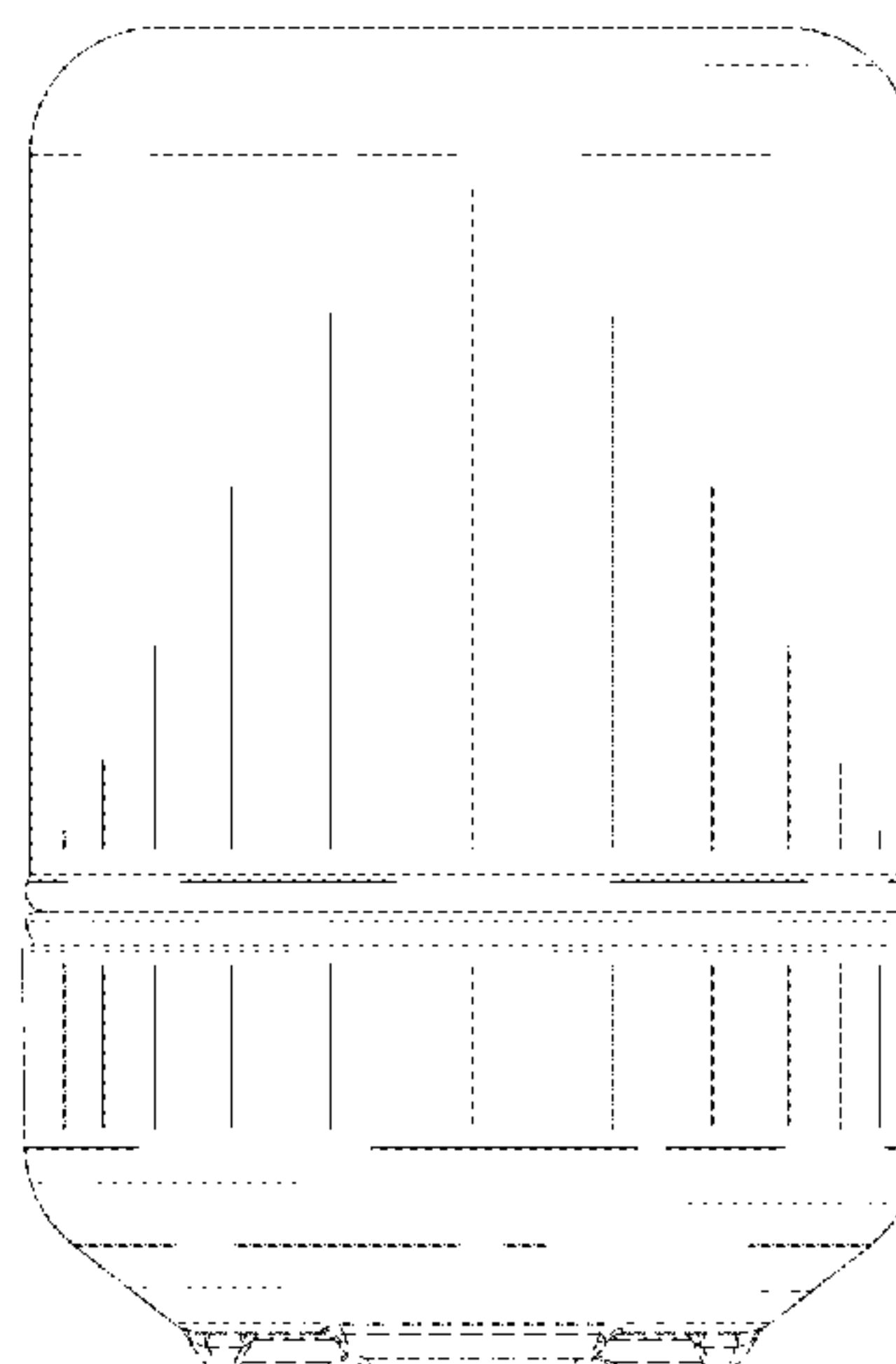
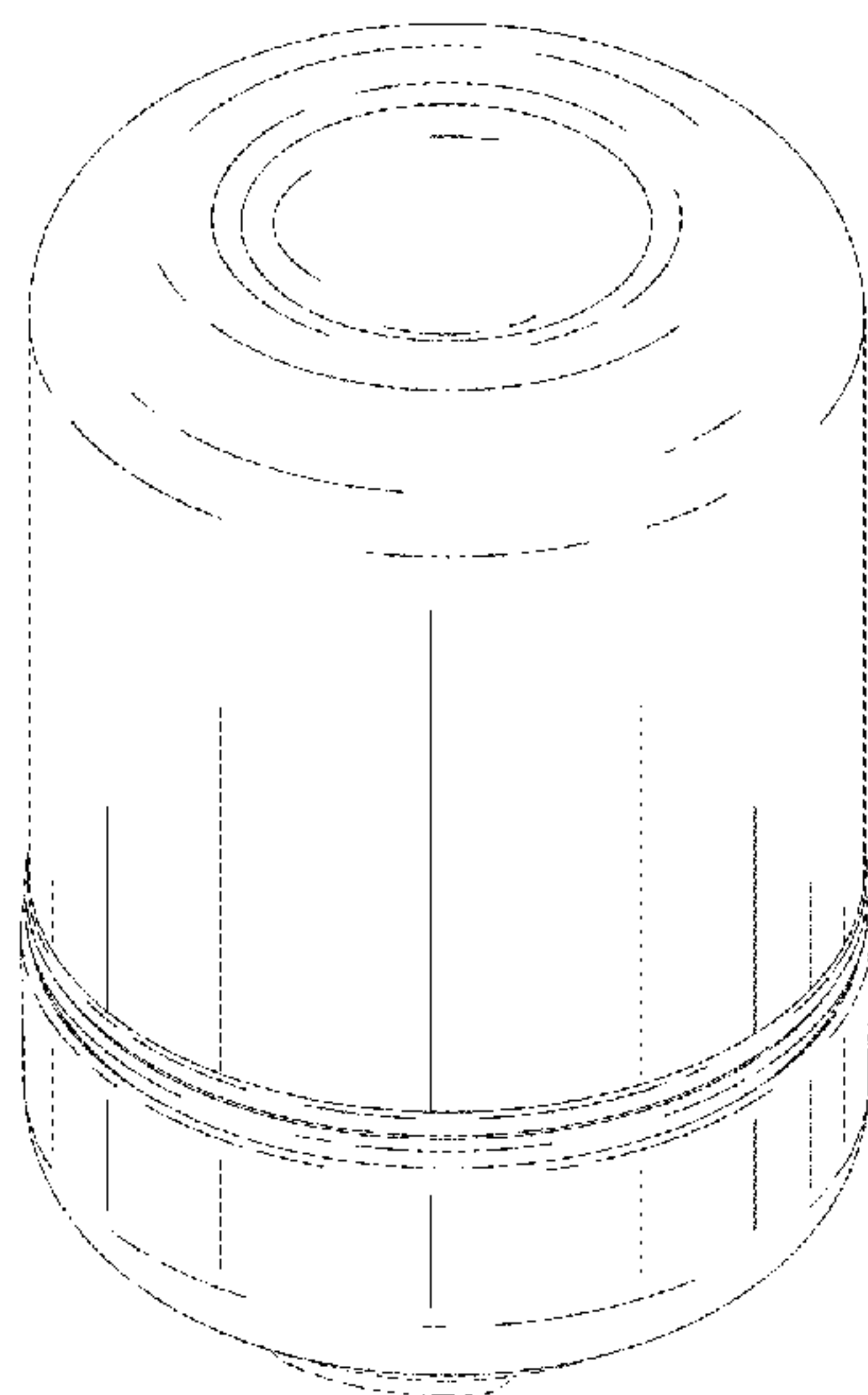
(57) **CLAIM**

The ornamental design for a seedling container, as shown
and described.

DESCRIPTION

FIG. 1 is a top perspective view of a seedling container
showing my new design.
FIG. 2 is a bottom perspective view thereof.
FIG. 3 is a left side elevational view thereof.
FIG. 4 is a front elevational view thereof.
FIG. 5 is a right side elevational view thereof.
FIG. 6 is a rear elevational view thereof.
FIG. 7 is a top plan view thereof; and,
FIG. 8 is a bottom plan view thereof.
The broken lines in the drawings are included to show
portions of the seedling container that form no part of the
claimed design.

1 Claim, 6 Drawing Sheets



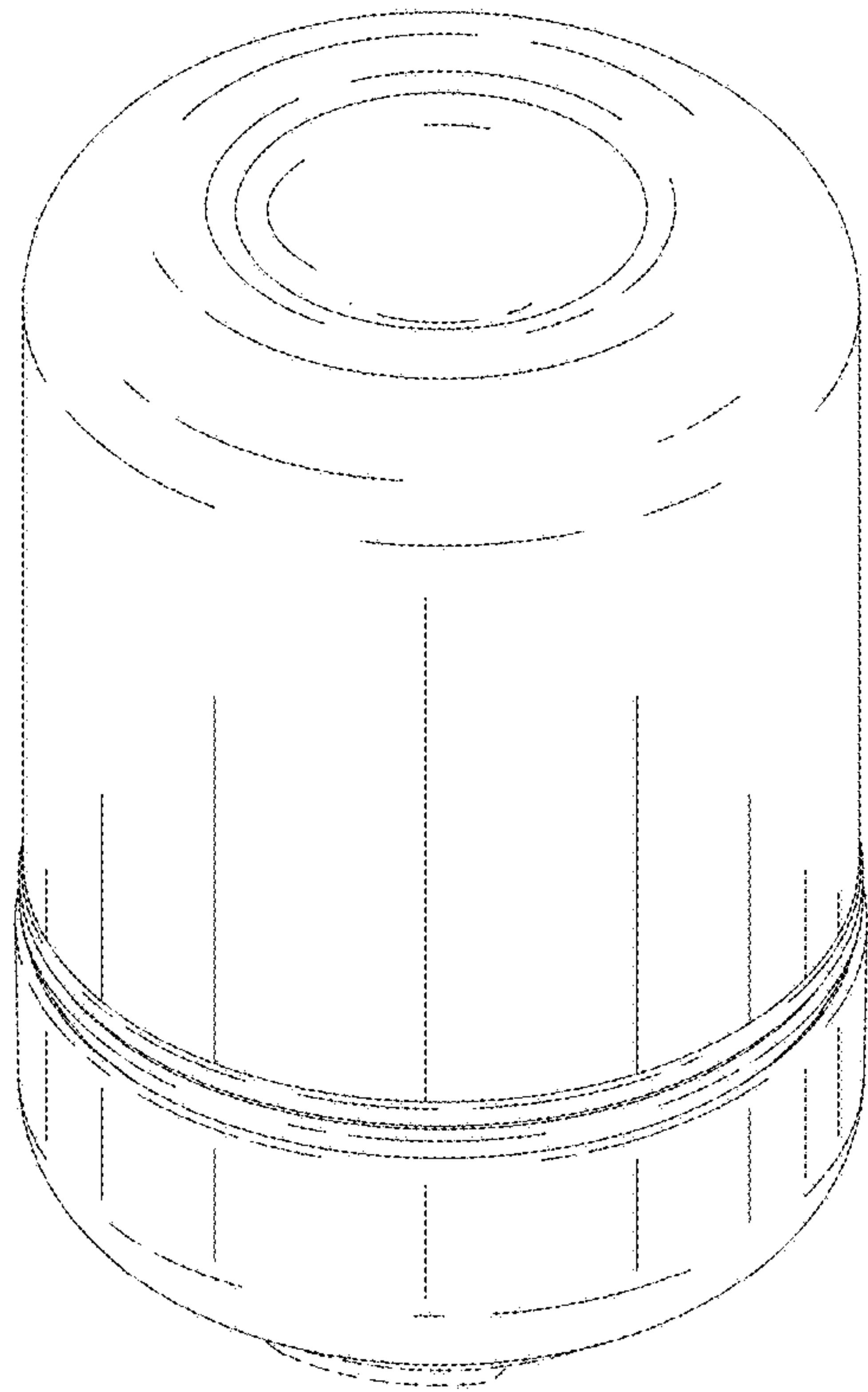


FIG. 1

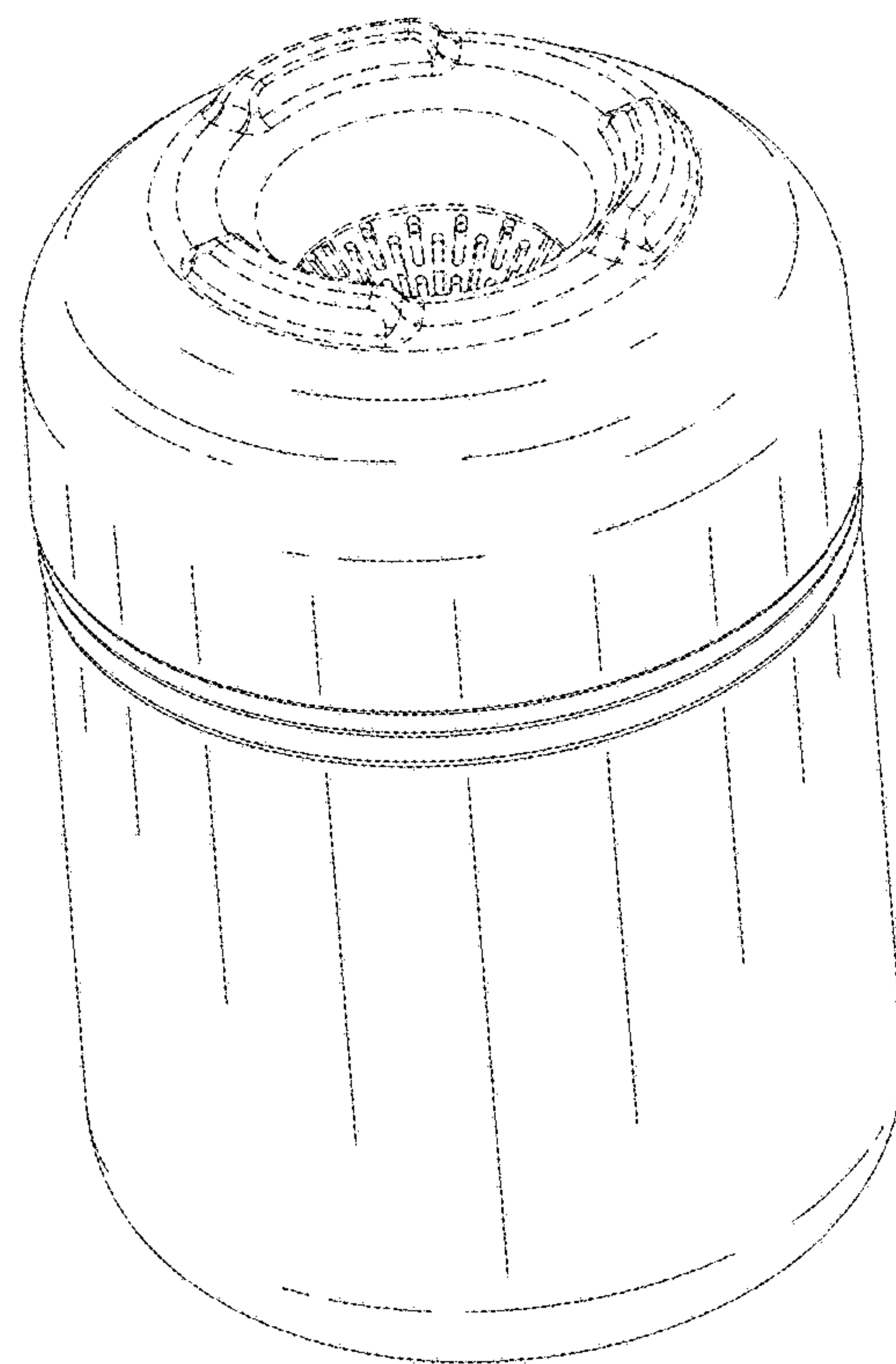


FIG. 2

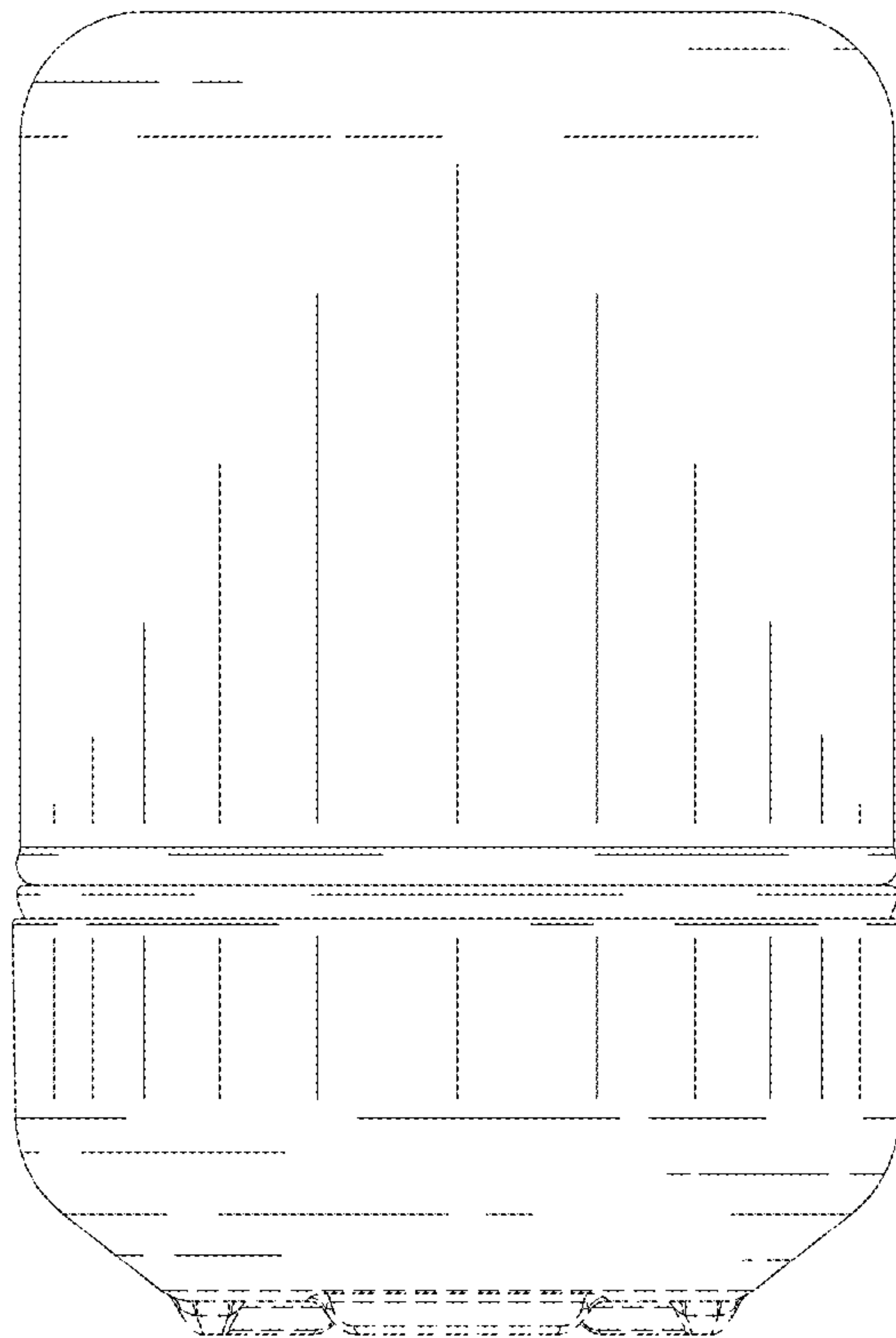


FIG. 3

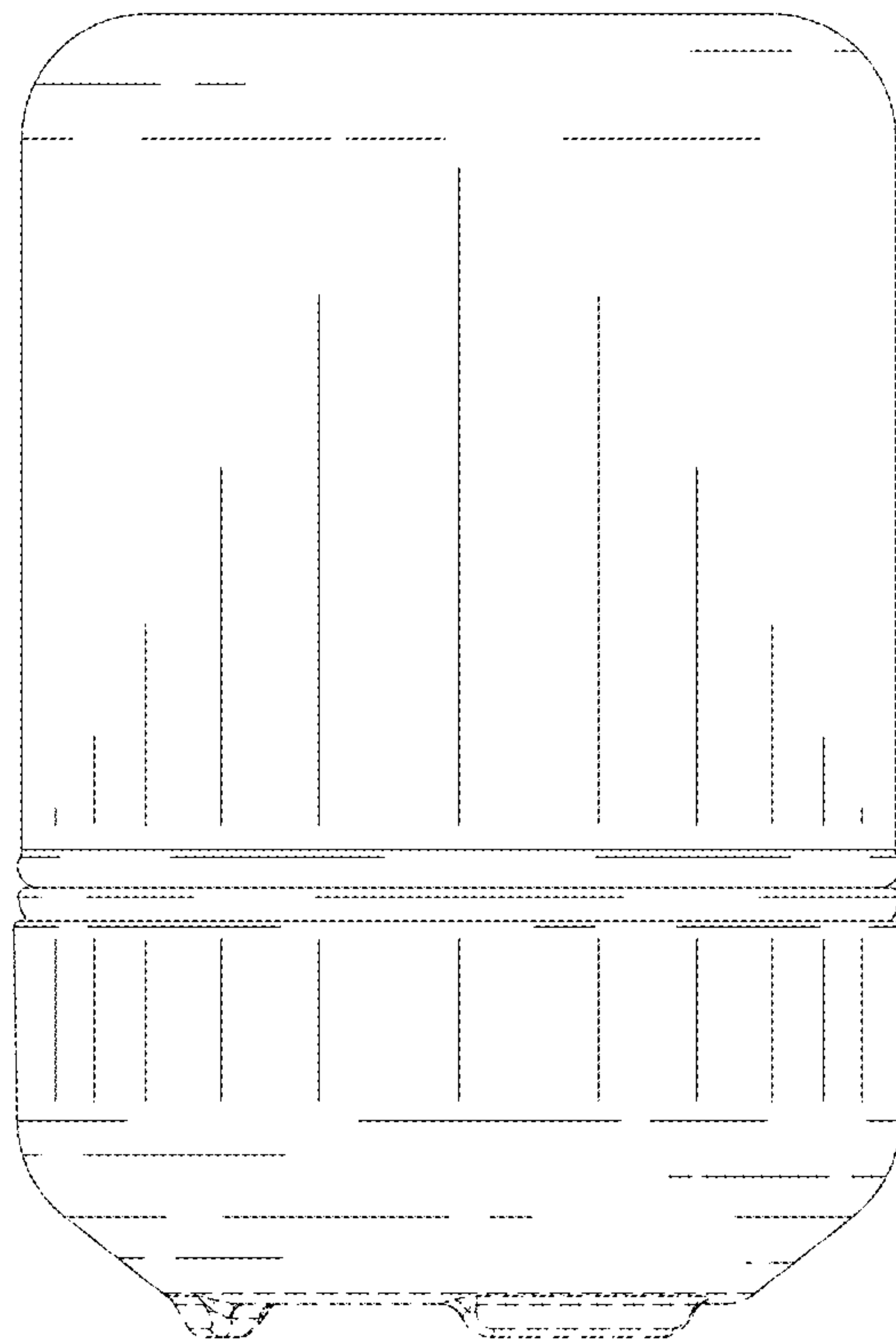


FIG. 4

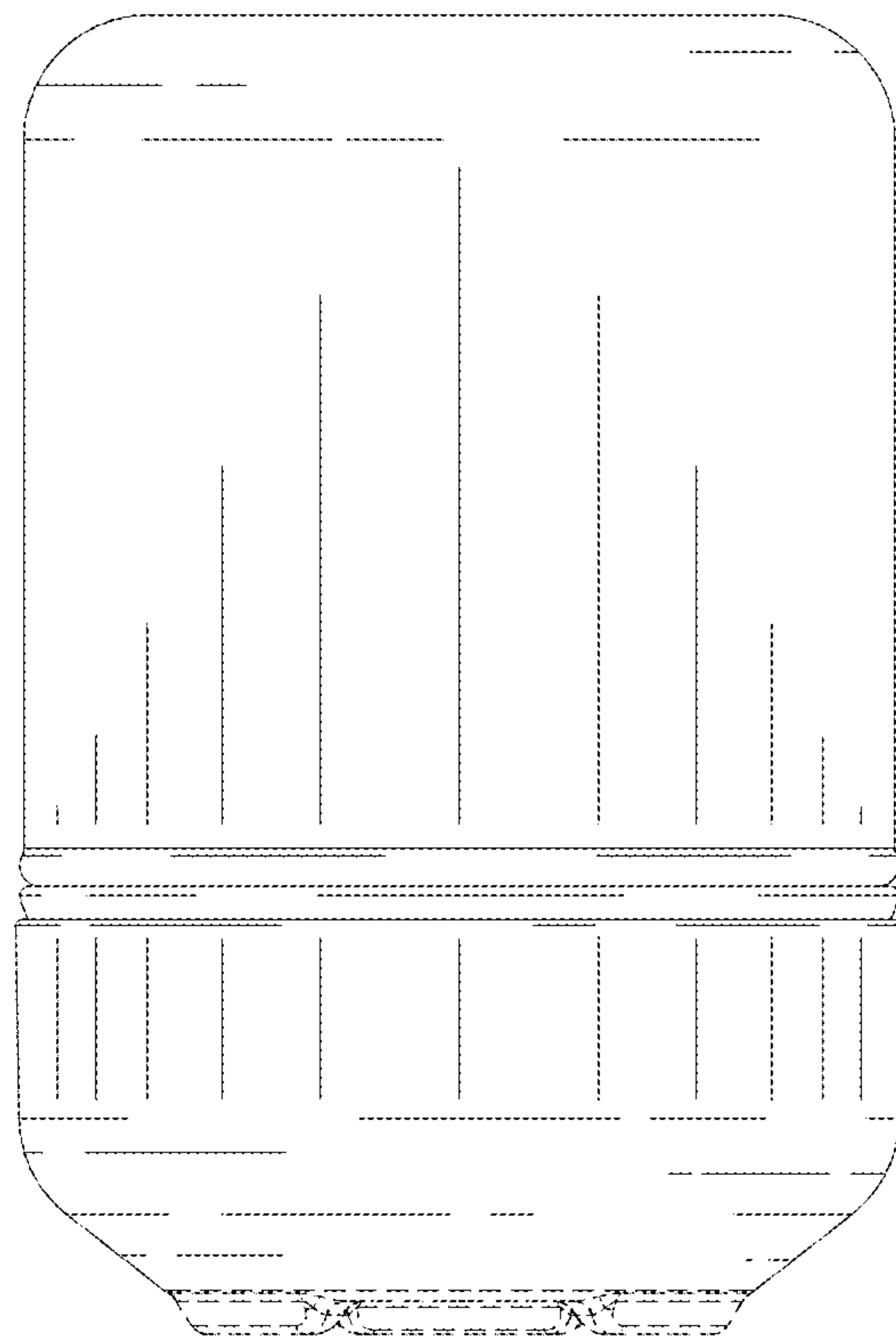


FIG. 5

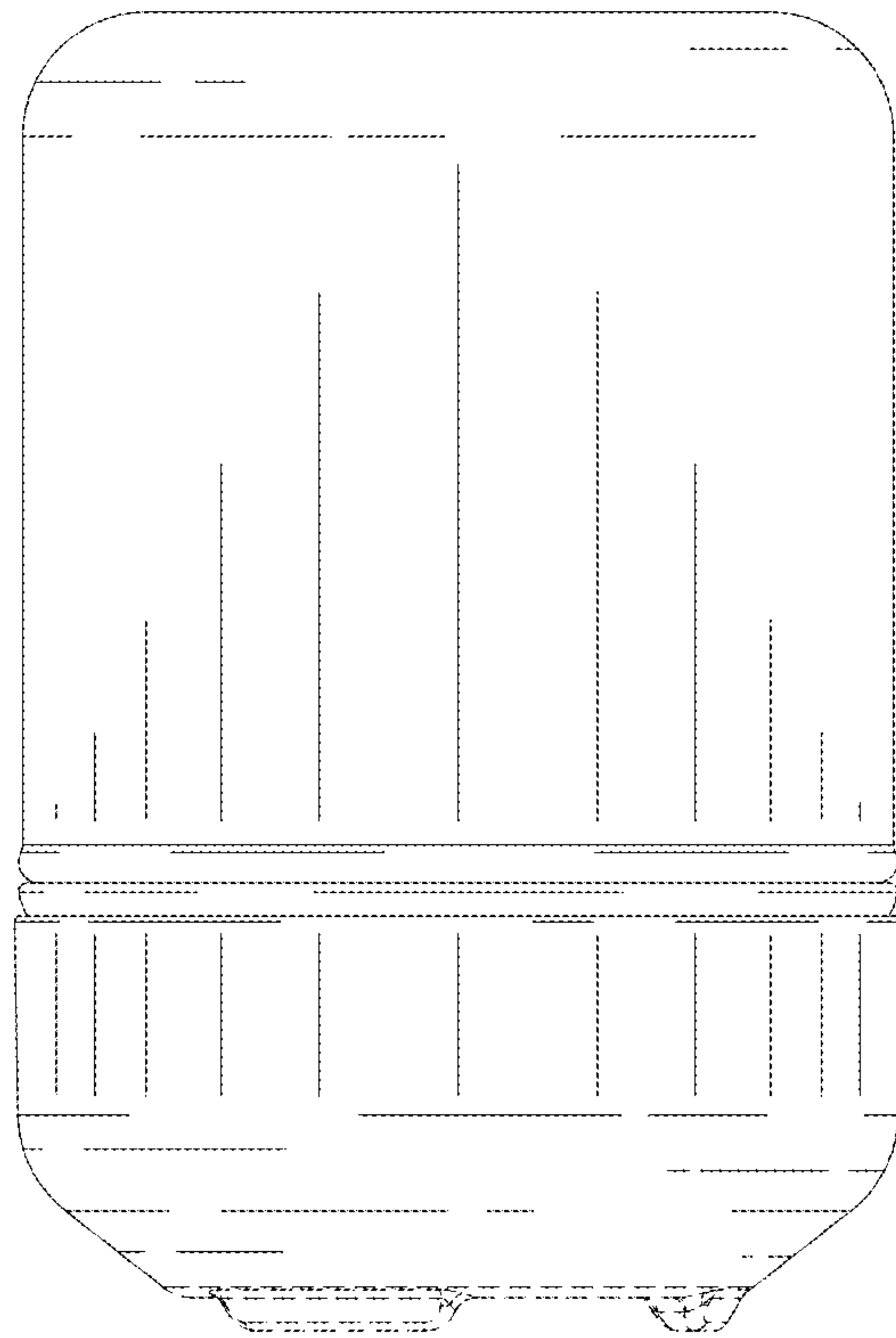


FIG. 6

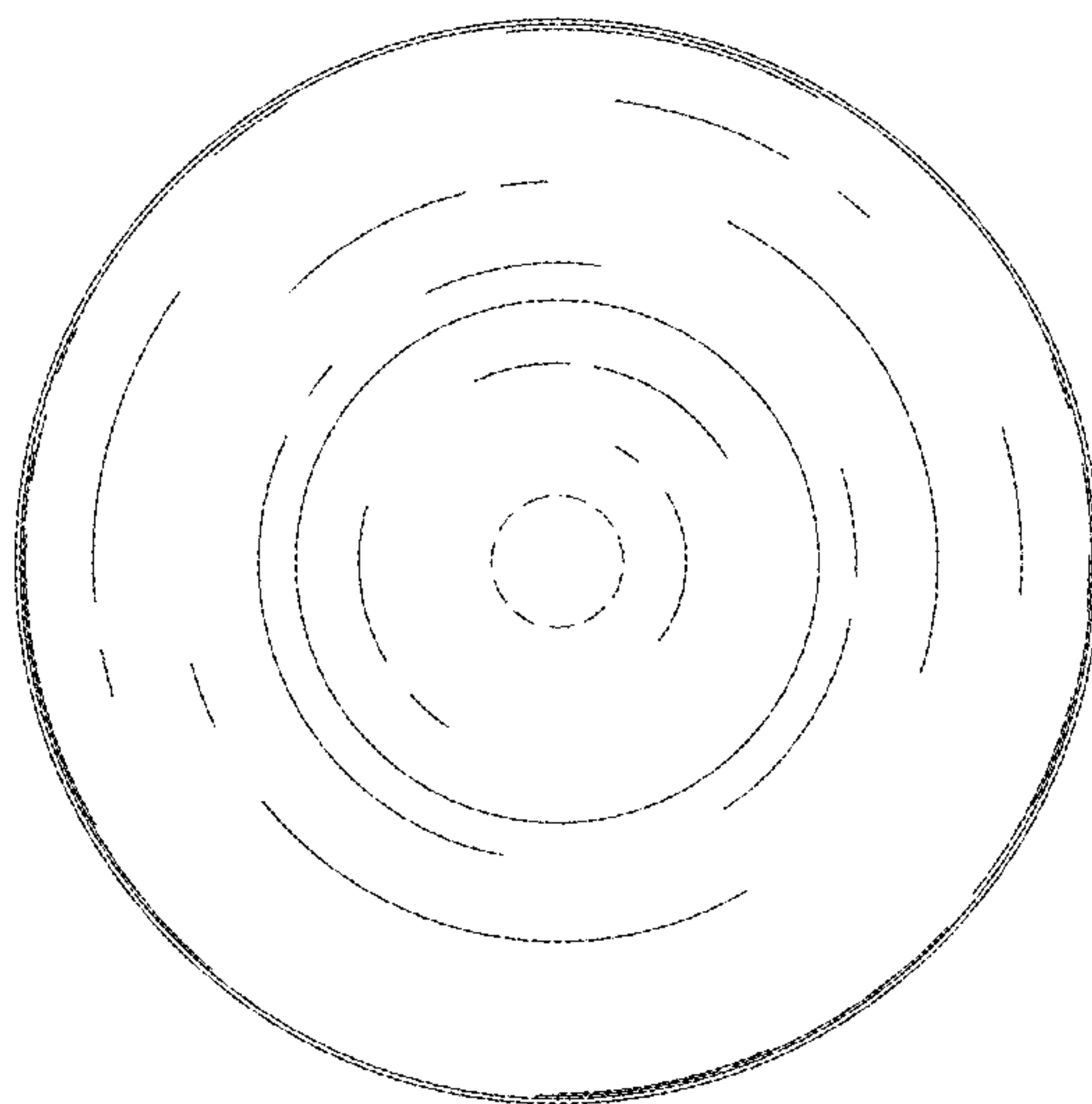


FIG. 7

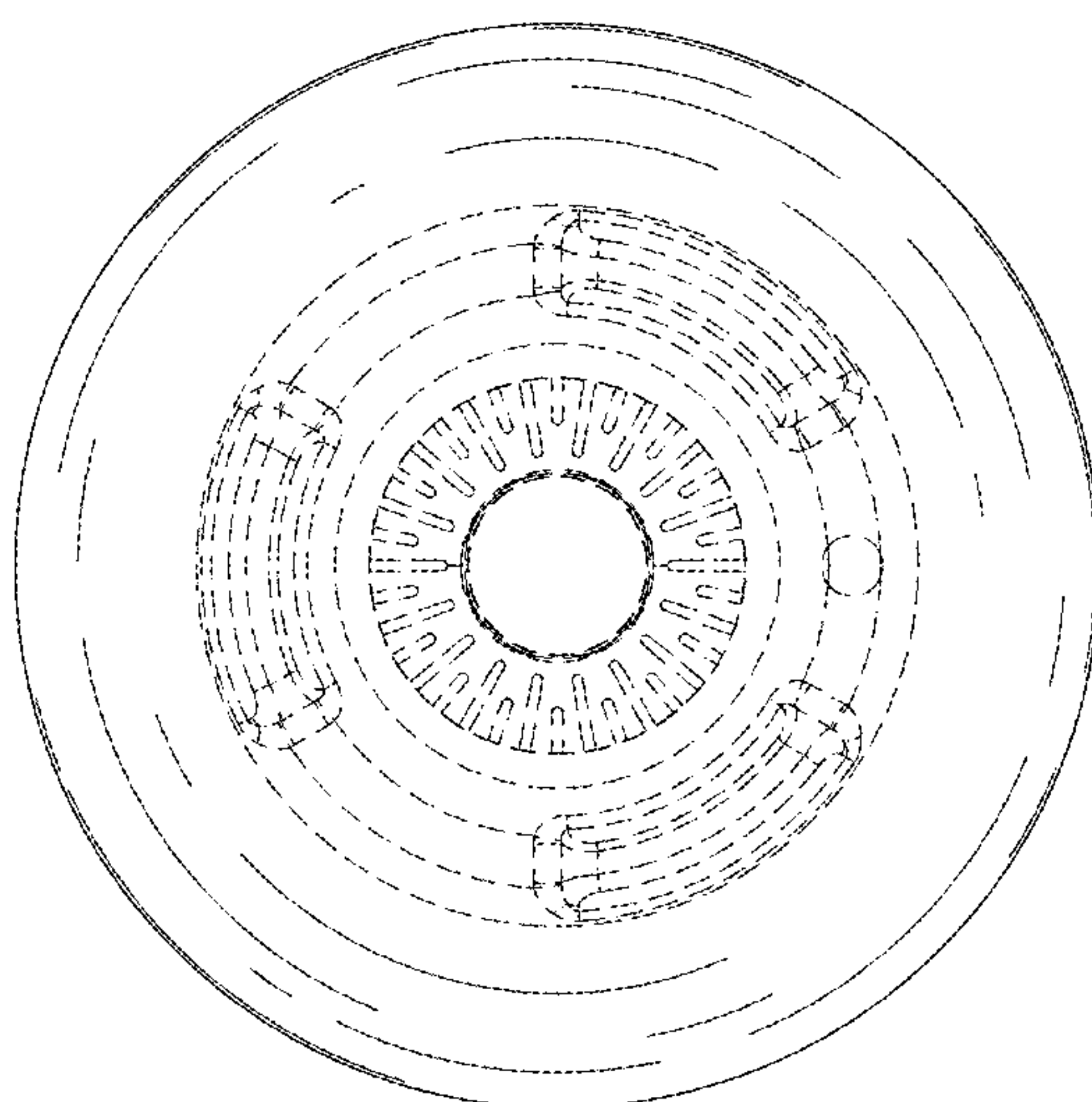


FIG. 8