



US00D834992S

(12) **United States Design Patent** (10) **Patent No.:** **US D834,992 S**  
**Clark** (45) **Date of Patent:** **\*\* Dec. 4, 2018**

(54) **HANGING ORNAMENT**  
(71) Applicant: **Brian Clark**, Olympia, WA (US)  
(72) Inventor: **Brian Clark**, Olympia, WA (US)  
(73) Assignee: **B CLARK COMPANY INC**, Olympia, WA (US)  
(\*\*) Term: **15 Years**

D341,790 S \* 11/1993 Wanek ..... D10/118  
D390,807 S \* 2/1998 Otto ..... D11/121  
D399,780 S \* 10/1998 Kauderer ..... D11/131  
D405,716 S \* 2/1999 Doughty ..... D11/121  
D405,717 S \* 2/1999 Doughty ..... D11/121  
D407,038 S \* 3/1999 Atilano ..... D11/121  
D407,039 S \* 3/1999 Openiano ..... D11/121  
D417,168 S \* 11/1999 Hollingsworth ..... D11/121  
D470,432 S \* 2/2003 Rabinowitz ..... D11/121  
D487,034 S \* 2/2004 Lach ..... D11/131  
D492,468 S \* 7/2004 Syverson ..... D11/118

(Continued)

(21) Appl. No.: **29/620,496**

(22) Filed: **Jan. 18, 2017**

(51) **LOC (11) Cl.** ..... **11-05**

(52) **U.S. Cl.**  
USPC ..... **D11/121**

(58) **Field of Classification Search**  
USPC ..... D11/117, 121, 124, 125, 130, 131, 132,  
D11/133, 142, 141, 157, 164  
CPC .... A47G 33/00; A47G 33/08; A47G 33/0809;  
A47G 33/0863; A47G 2033/0827; B44C  
7/00; B44C 5/00

See application file for complete search history.

(56) **References Cited**

**U.S. PATENT DOCUMENTS**

237,026 A \* 1/1881 Knauff ..... A47G 33/06  
428/192  
D110,858 S \* 8/1938 Egerton ..... D11/121  
D165,127 S \* 11/1951 Zoss ..... D11/122  
2,616,199 A \* 11/1952 Robins ..... B42D 15/04  
229/92.8  
2,761,232 A \* 9/1956 Garver ..... A47G 33/0809  
428/7  
D181,358 S \* 11/1957 Johnson ..... D11/121  
2,925,678 A \* 2/1960 Burnbaum ..... A47F 5/00  
428/8  
D242,363 S \* 11/1976 De Sena ..... D11/125  
D246,398 S \* 11/1977 Raulson ..... D26/14  
D253,694 S \* 12/1979 Ellis ..... D11/121  
D299,579 S \* 1/1989 Jones ..... D11/70

**OTHER PUBLICATIONS**

Red Carpet Studios Ltd. Cosmix Spinner Green and Copper—14"  
long Ad posted on Amazon.com.

(Continued)

*Primary Examiner* — Elizabeth J Oswecki

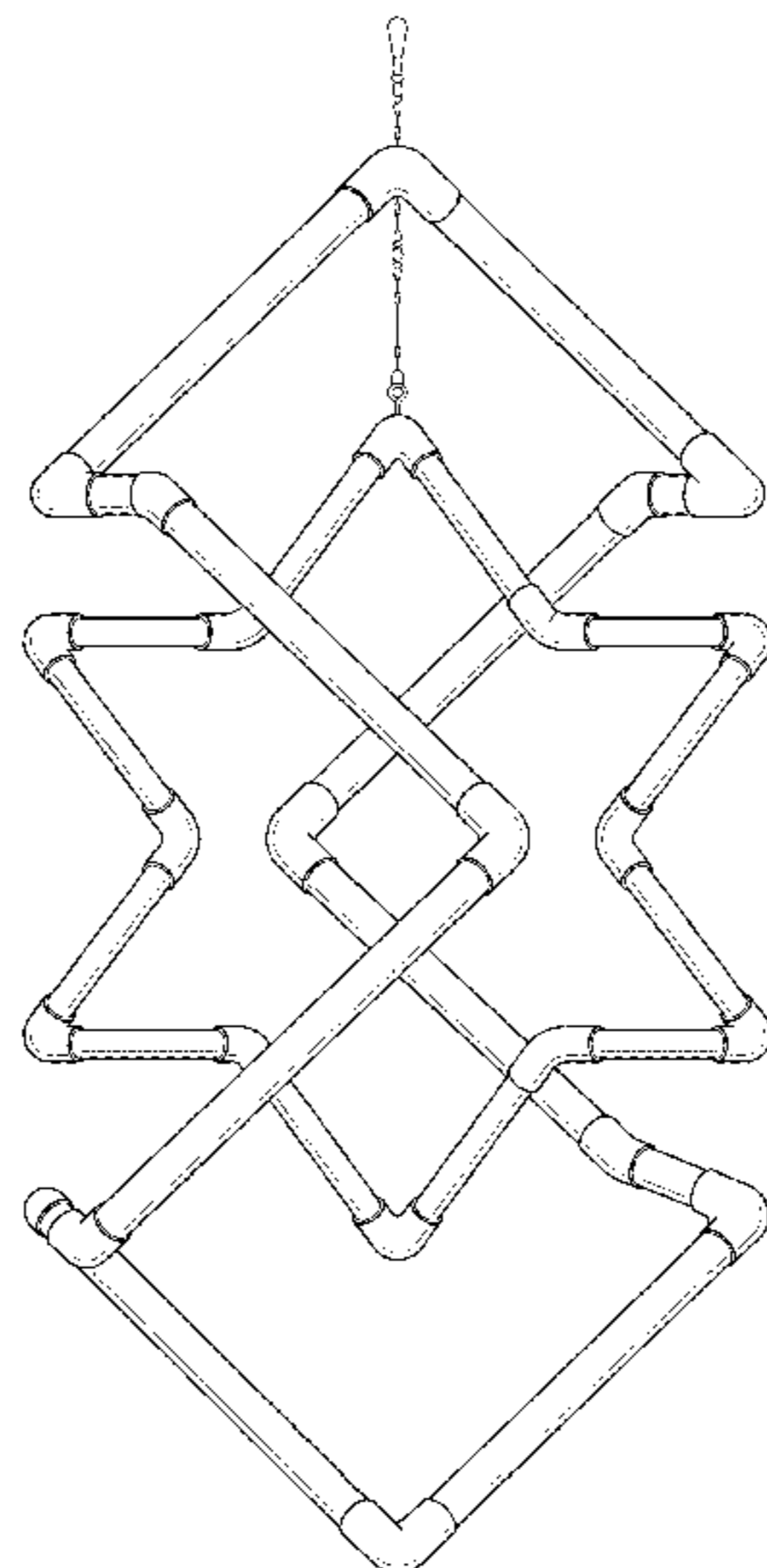
(57) **CLAIM**

The ornamental design for a hanging ornament, as shown  
and described.

**DESCRIPTION**

FIG. 1 is a first embodiment of a front elevational view of  
a hanging ornament, showing my new design;  
FIG. 2 is a rear elevational view thereof;  
FIG. 3 is a right side elevational view thereof;  
FIG. 4 is a left side elevational view thereof;  
FIG. 5 is a bottom plan view thereof; and  
FIG. 6 is a top plan view thereof.  
FIG. 7 is a second embodiment of a front elevational view  
of a hanging ornament, showing my new design;  
FIG. 8 is a rear elevational view thereof;  
FIG. 9 is a right side elevational view thereof;  
FIG. 10 is a left side elevational view thereof;  
FIG. 11 is a bottom plan view thereof; and,  
FIG. 12 is a top plan view thereof.

**1 Claim, 12 Drawing Sheets**



(56)

**References Cited**

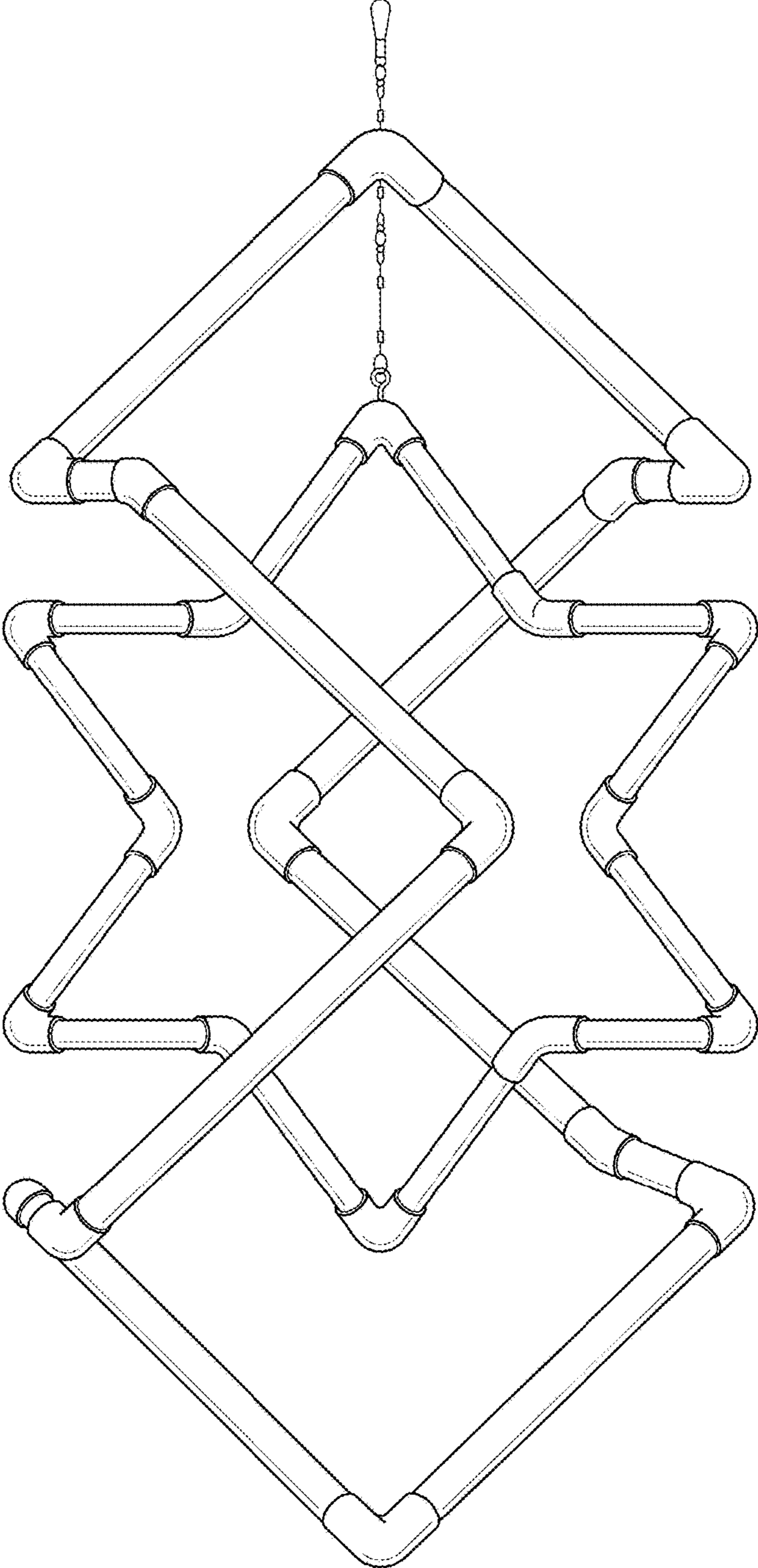
## U.S. PATENT DOCUMENTS

D505,639 S \* 5/2005 Lach ..... D11/131  
D513,713 S \* 1/2006 Steshik ..... D11/81  
D526,241 S \* 8/2006 Cavness ..... D11/157  
D526,242 S \* 8/2006 Cavness ..... D11/157  
7,220,105 B2 \* 5/2007 Schobinger ..... F03D 9/00  
416/146 R  
D547,695 S \* 7/2007 Lach ..... D11/141  
D555,533 S \* 11/2007 Gruosi-Scheufele ..... D11/43  
D556,085 S \* 11/2007 Heifetz ..... D11/121  
D610,215 S \* 2/2010 Wechsler ..... D21/707  
D619,033 S \* 7/2010 Tierney ..... D11/81  
D625,222 S \* 10/2010 Akbik ..... D11/121  
D626,027 S \* 10/2010 Akbik ..... D11/121  
D626,028 S \* 10/2010 Akbik ..... D11/121  
D630,545 S \* 1/2011 Akbik ..... D11/121  
D662,853 S \* 7/2012 Akbik ..... D11/121  
D673,073 S \* 12/2012 Akbik ..... D11/121  
D678,813 S \* 3/2013 Akbik ..... D11/121  
D780,044 S \* 2/2017 Cohen-Toffler ..... D11/70  
D801,852 S \* 11/2017 Woodworth ..... D11/121  
2015/0351575 A1 12/2015 Clark

## OTHER PUBLICATIONS

Red Carpet Studios Ltd. Cosmix Spinner—14 inches long, amazon.com, Posted Apr. 15, 2008, <http://web.archive.org/web/20080415111929/http://www.amazon.com/Red-carpet-Studios-Cosmix-Spinner/dp-B0017HYYKC>.

\* cited by examiner



**FIG. 1**

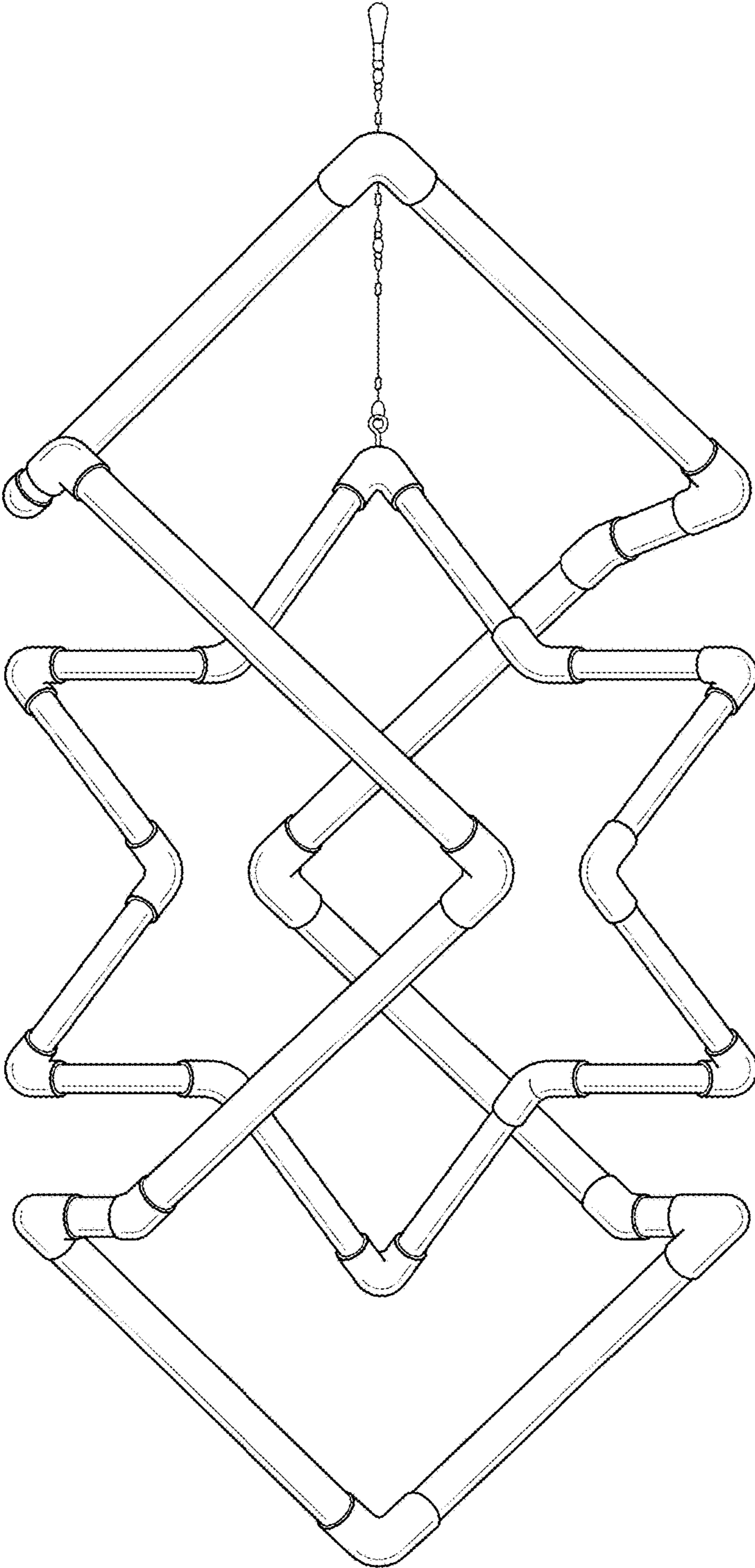


FIG. 2

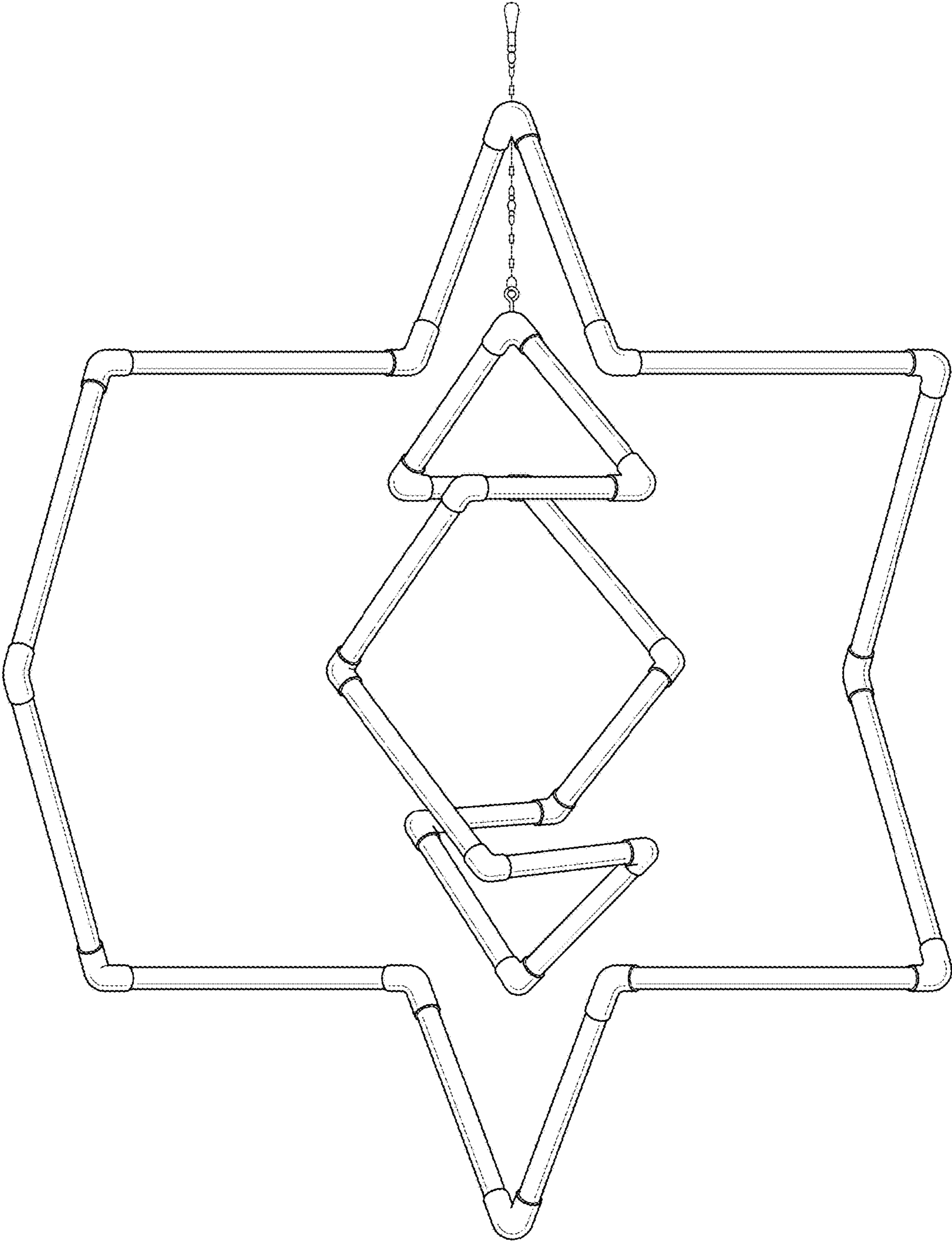


FIG. 3

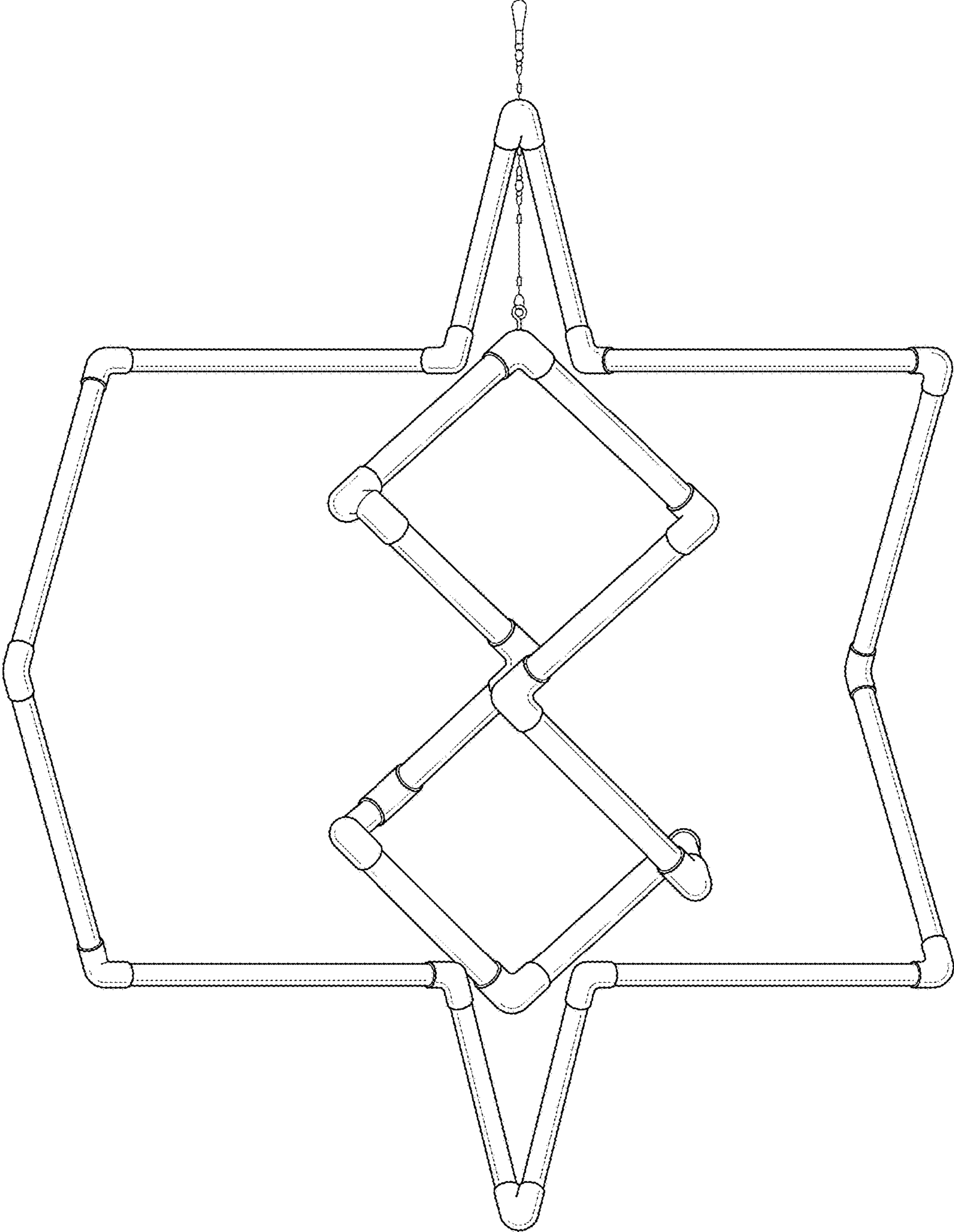
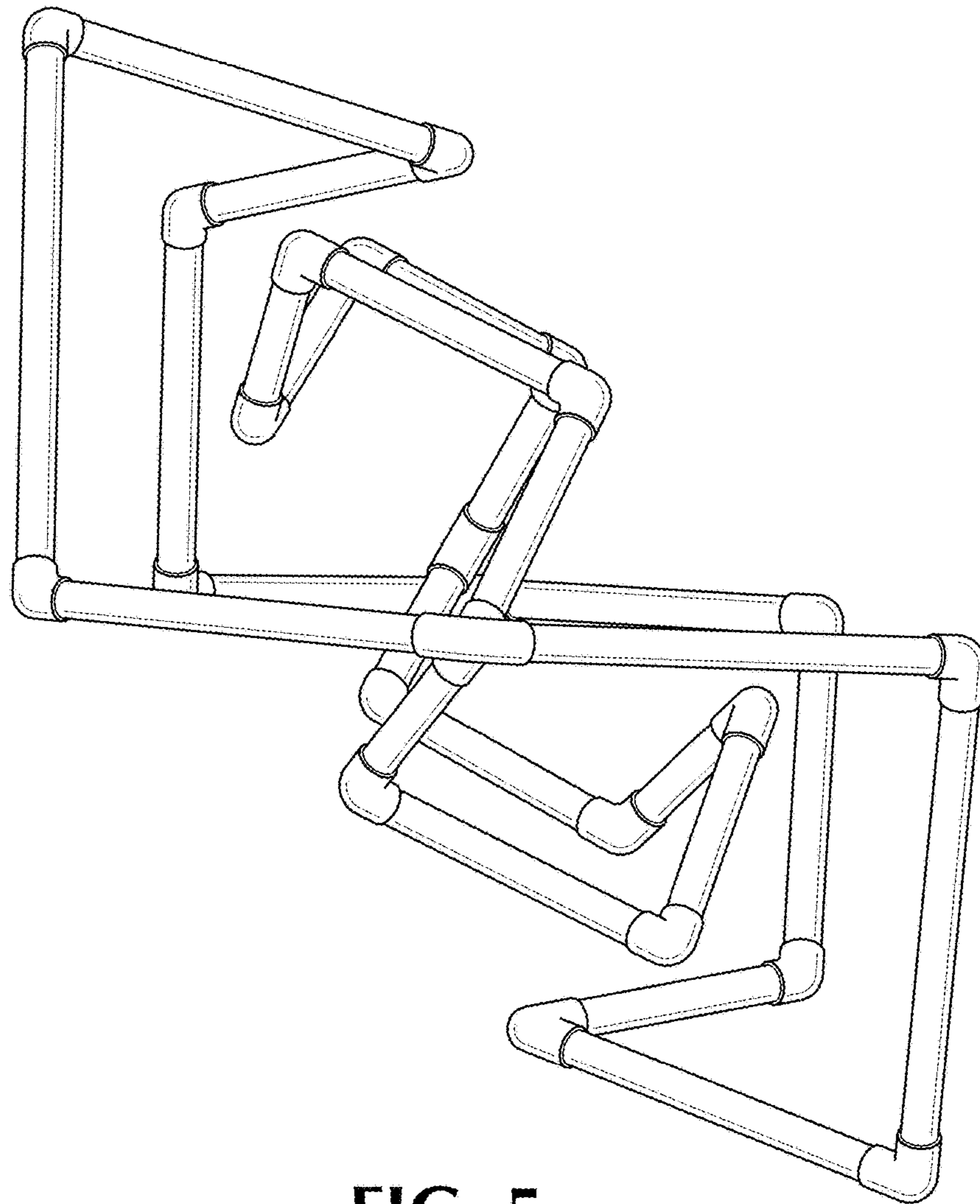
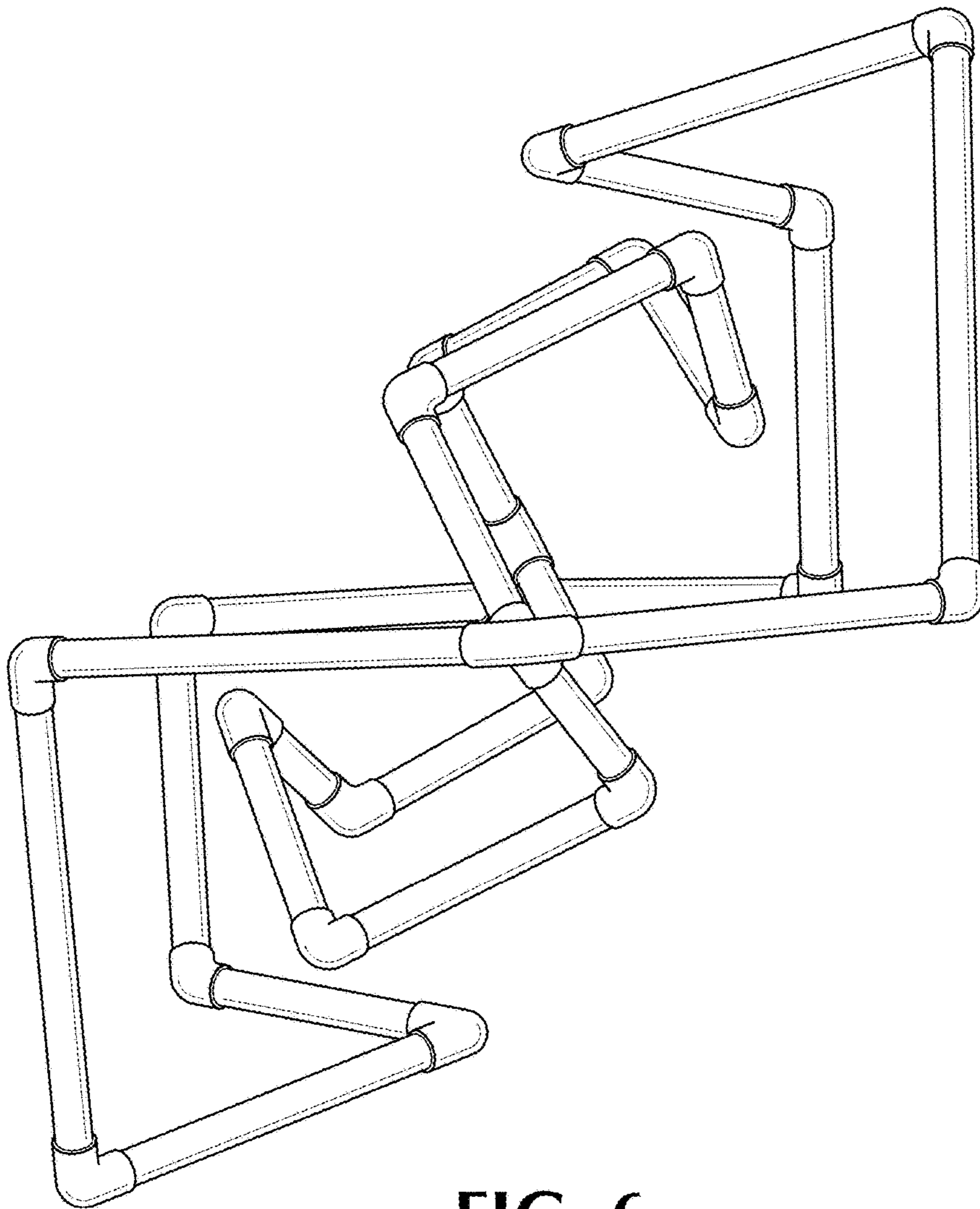


FIG. 4



**FIG. 5**



**FIG. 6**



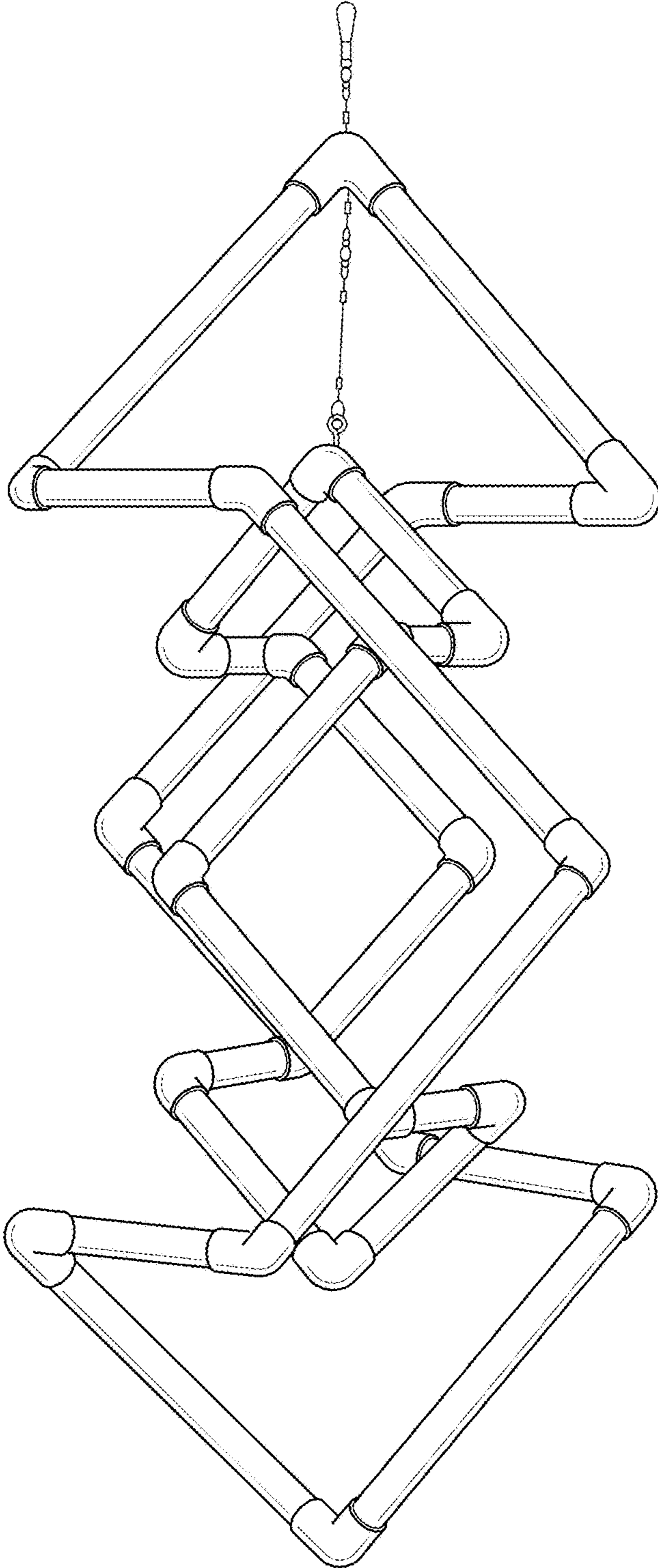
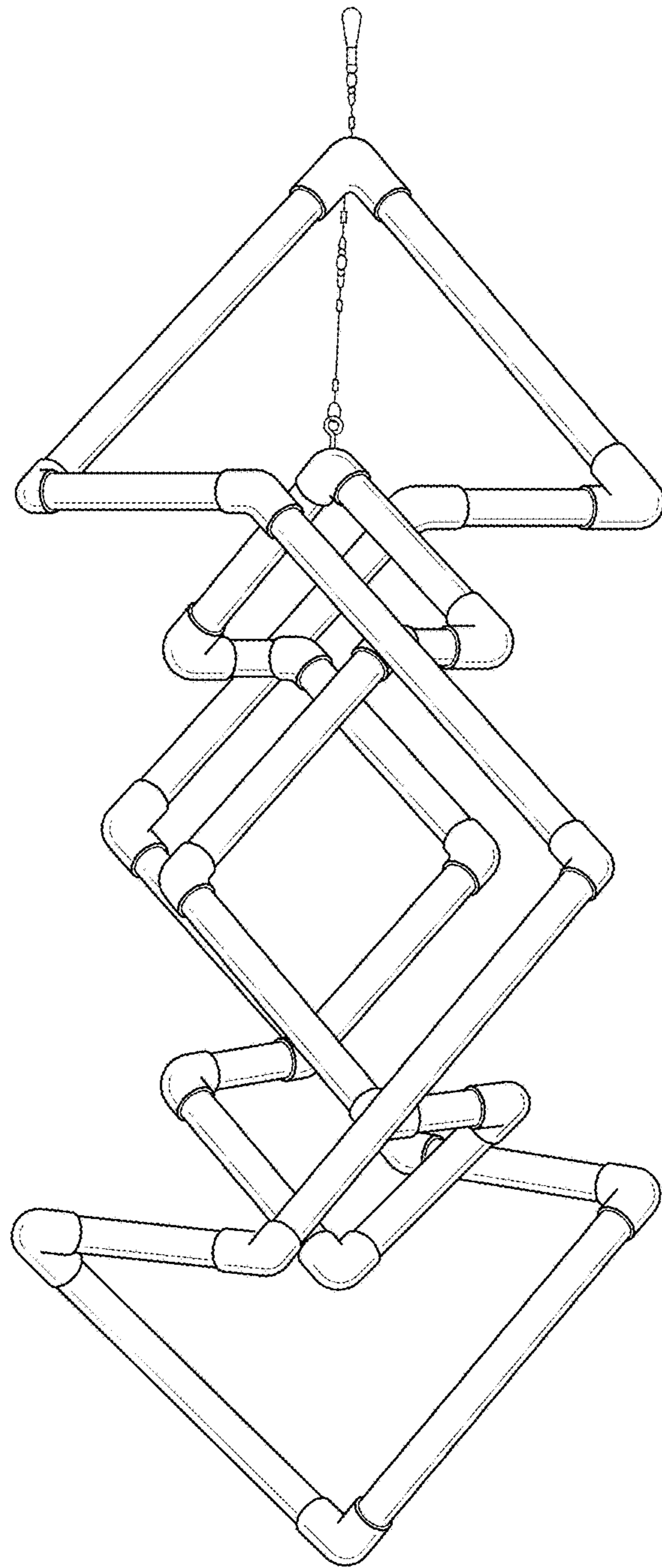


FIG. 7



**FIG. 8**

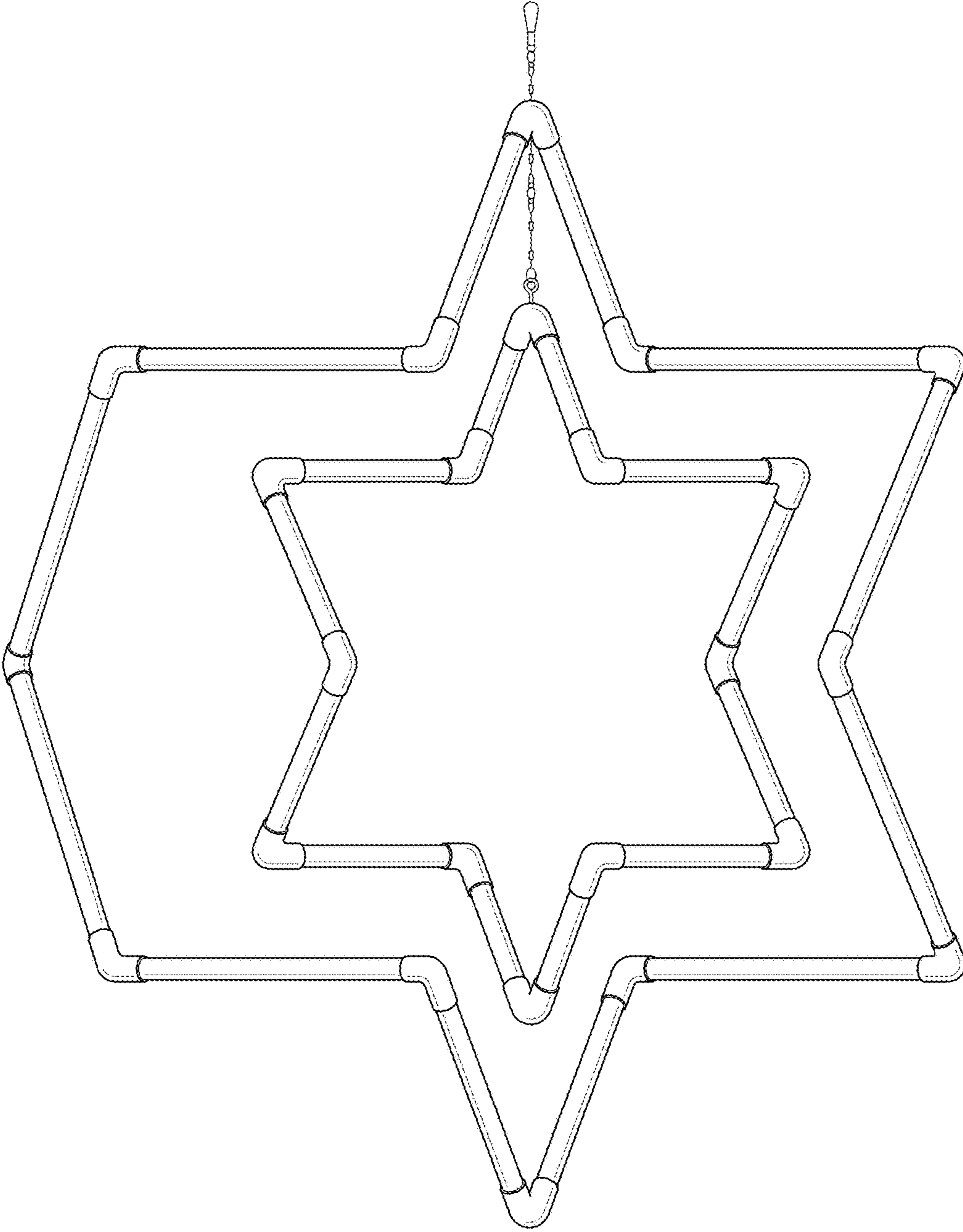


FIG. 9

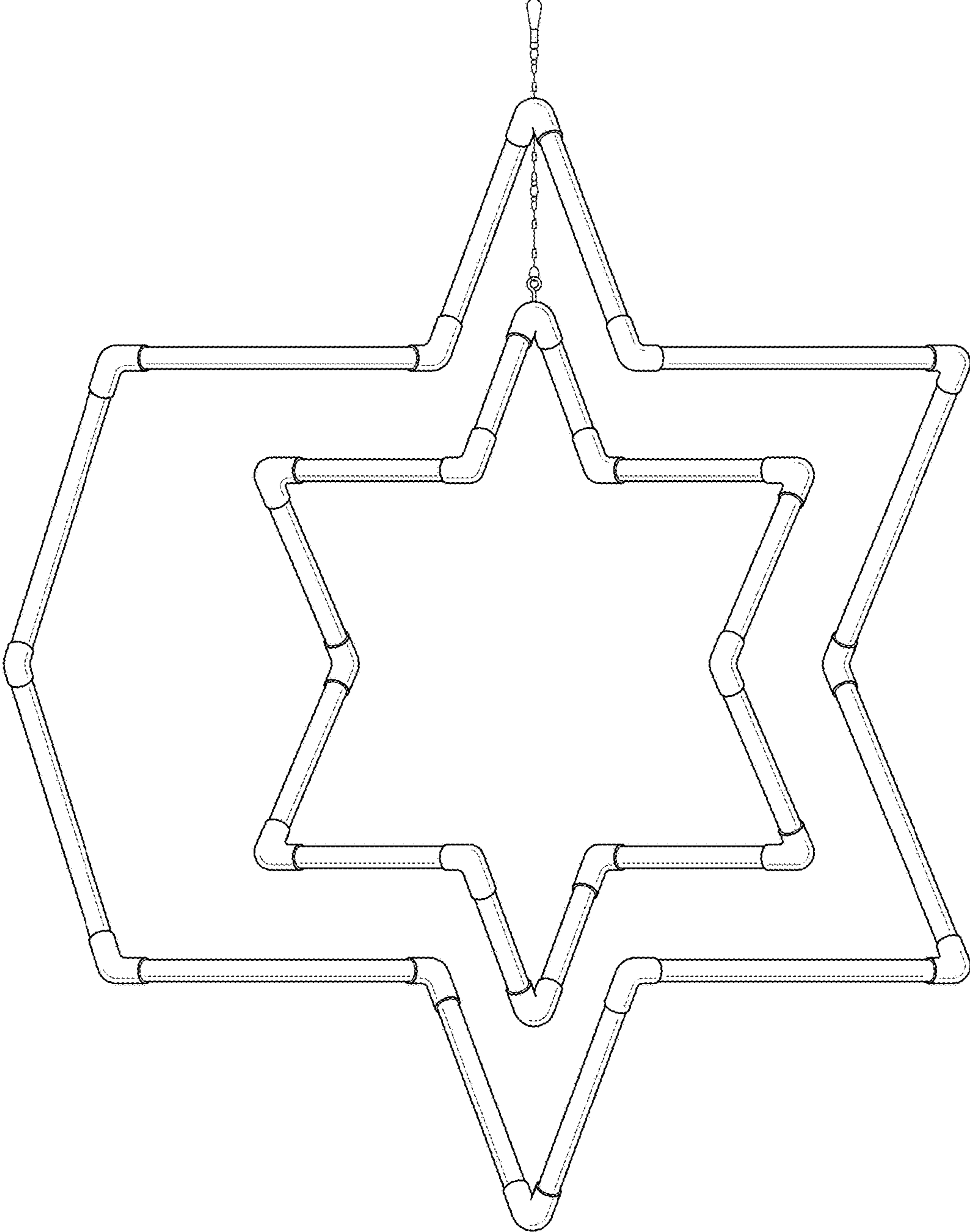
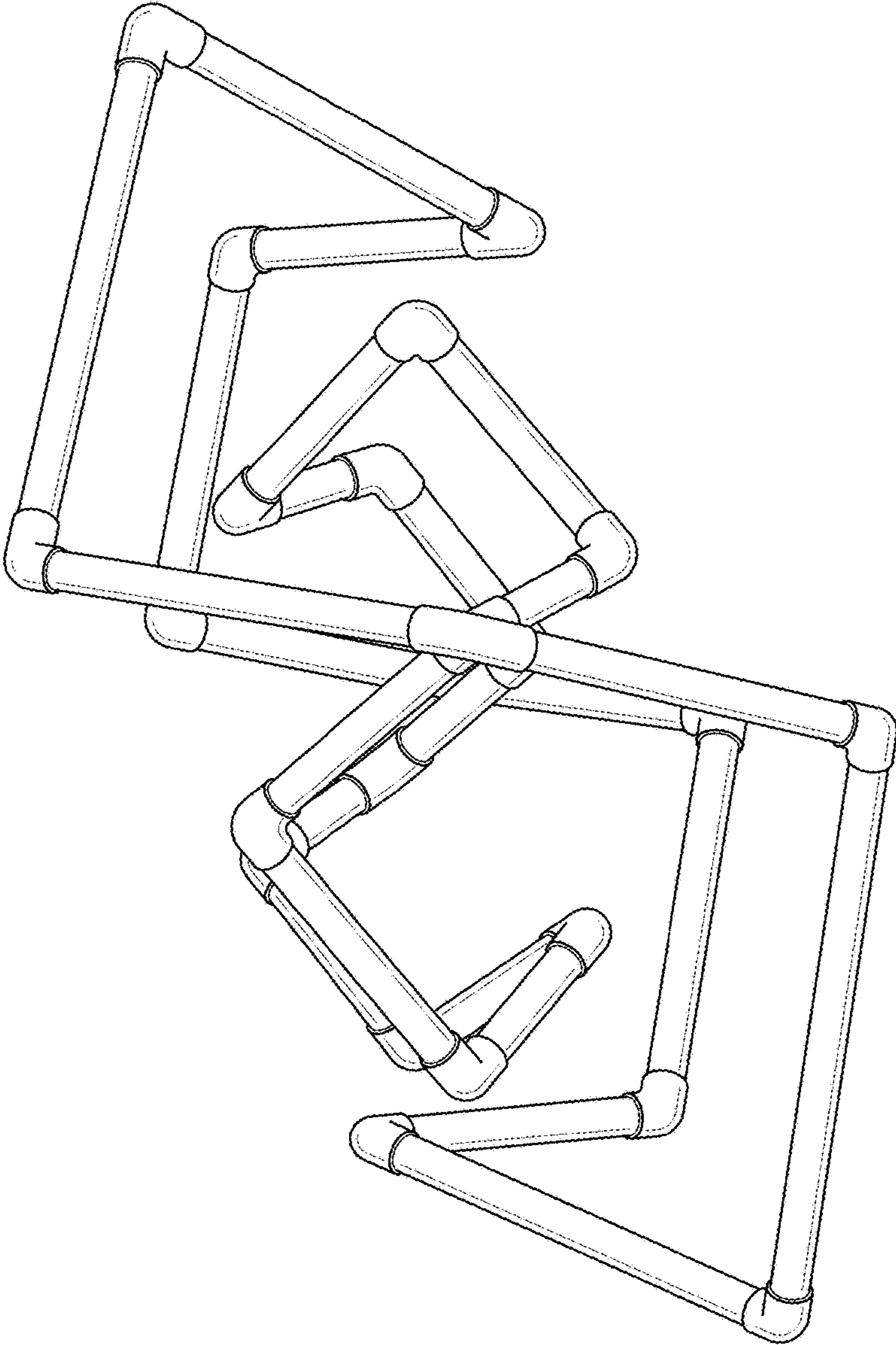
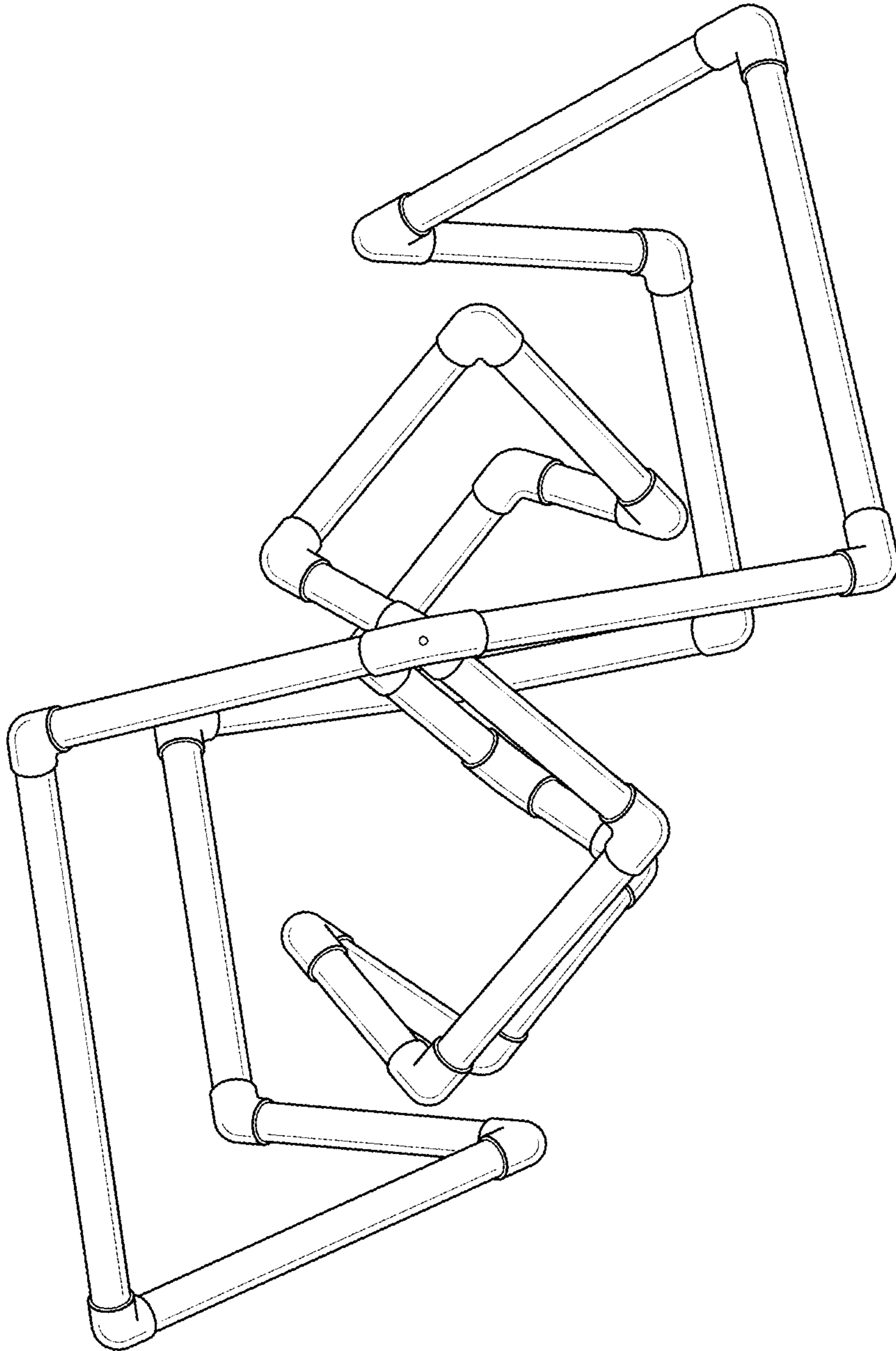


FIG. 10



**FIG. 11**



**FIG. 12**