



US00D834991S

(12) **United States Design Patent** (10) **Patent No.:** **US D834,991 S**  
**Pandolfino** (45) **Date of Patent:** **\*\* Dec. 4, 2018**

(54) **NECKWEAR TO HOUSE AND DISPLAY COINS AND ROUNDS**

*Primary Examiner* — Melanie Pellegrini  
(74) *Attorney, Agent, or Firm* — Sughrue Mion, PLLC

(71) Applicant: **PATUGA LLC**, Clarence, NY (US)

(72) Inventor: **Joseph Pandolfino**, Clarence, NY (US)

(57) **CLAIM**

(73) Assignee: **PATUGA LLC**, Clarence, NY (US)

The ornamental design for neckwear to house and display coins and rounds, as shown and described.

(\*\*) Term: **15 Years**

(21) Appl. No.: **29/653,639**

**DESCRIPTION**

(22) Filed: **Jun. 18, 2018**

**Related U.S. Application Data**

(62) Division of application No. 29/631,359, filed on Dec. 29, 2017, now Pat. No. Des. 825,373.

(51) **LOC (11) Cl.** ..... **11-01**

(52) **U.S. Cl.**  
USPC ..... **D11/79**; D2/605; D11/1

(58) **Field of Classification Search**  
USPC ..... D11/1, 2, 3, 7, 8, 12, 19, 40–54, 79–86, D11/87, 91, 92, 93; D3/207, 215, 218; D6/300; D2/600–609, 627, 633, 637  
(Continued)

FIG. 1 is a front view of a first embodiment of neckwear to house and display coins and rounds showing my new design; FIG. 2 is a rear view thereof; FIG. 3 is a right side view thereof; FIG. 4 is a left side view thereof; FIG. 5 is a top view thereof; FIG. 6 is a bottom view thereof; FIG. 7 is a front perspective view thereof; FIG. 8 is a is a front view of a second embodiment of neckwear to house and display coins and rounds showing my new design; FIG. 9 is a rear view thereof; FIG. 10 is a right side view thereof; FIG. 11 is a left side view thereof; FIG. 12 is a top view thereof; FIG. 13 is a bottom view thereof; FIG. 14 is a front perspective view thereof; FIG. 15 is a front view of a third embodiment of neckwear to house and display coins and rounds showing my new design; FIG. 16 is a rear view thereof; FIG. 17 is a right side view thereof; FIG. 18 is a left side view thereof; FIG. 19 is a top view thereof; FIG. 20 is a bottom view thereof; and, FIG. 21 is a front perspective view thereof.

(56) **References Cited**

**U.S. PATENT DOCUMENTS**

D55,788 S \* 7/1920 Griffin ..... D11/6  
D67,566 S 6/1925 Allmendinger  
(Continued)

**FOREIGN PATENT DOCUMENTS**

AT 389630 B 1/1990  
CN 2888922 Y 4/2007  
(Continued)

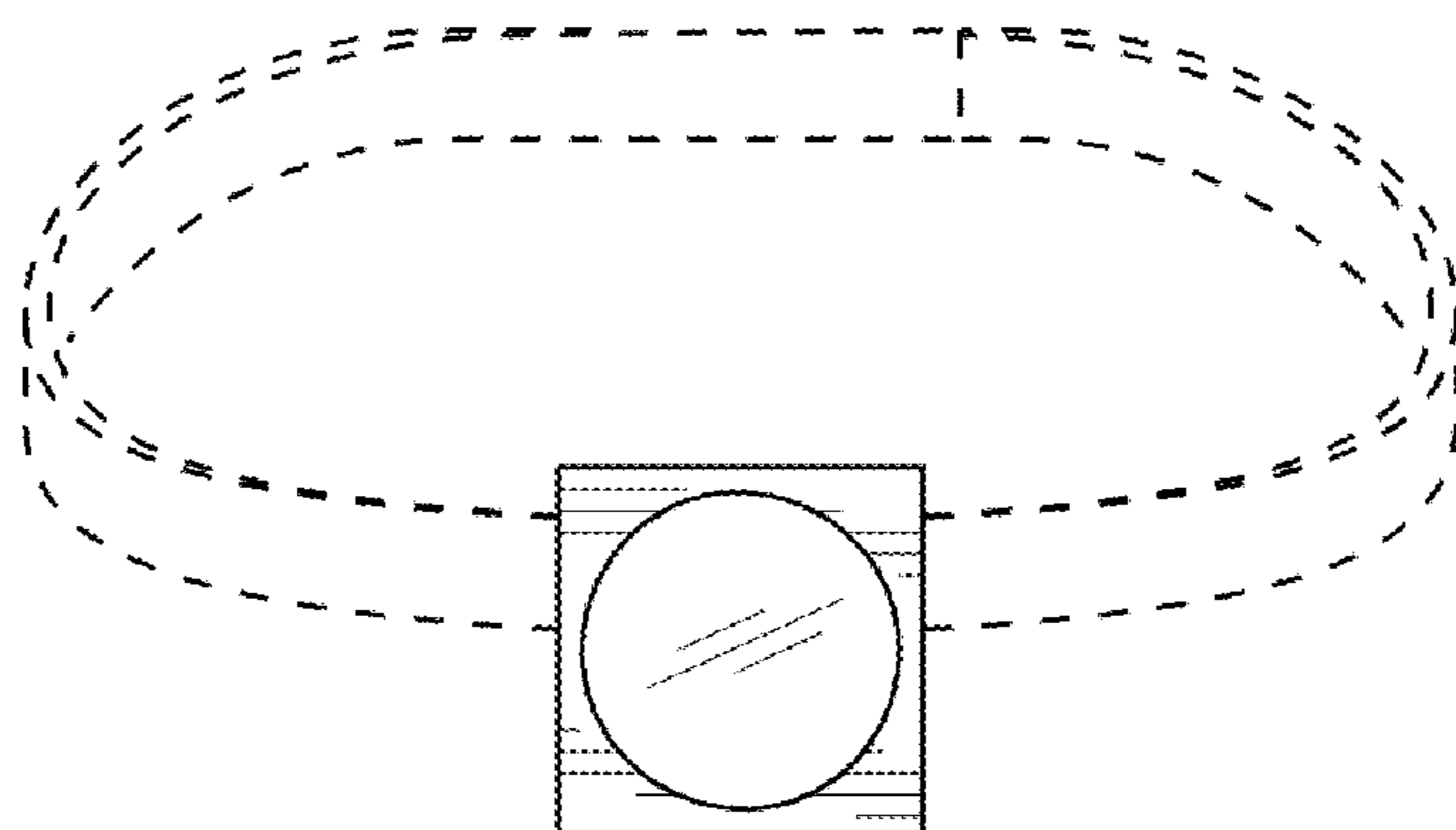
**OTHER PUBLICATIONS**

Engineering Corner, <https://www.shapeways.com/product/MUT37CQWA/articulated-necktie-clips-on-to-your-top-button>; author and publication date unknown, retrieved prior to Jan. 25, 2018.

(Continued)

The broken lines showing a neck strap represent environment which forms no part of the claimed design. The remaining broke lines represent portions of the neckwear to house and display coins and rounds which form no part of the claimed design.

**1 Claim, 12 Drawing Sheets**



(58) **Field of Classification Search**

CPC .. A44C 1/00; A44C 3/00; A44C 3/004; A44C 3/005; A44C 3/007; A44C 3/008; A44C 5/02; A44C 7/002; A44C 25/00; A44C 25/001; A44C 25/002; A44C 25/004; A44C 25/005; A44C 25/007; A41D 23/00; A41D 25/00; A41D 25/003; A41D 25/004; A41D 25/005; A41D 25/008; A41D 25/02; A41D 25/06

See application file for complete search history.

D556,390 S \* 11/2007 Greenburgh ..... D11/79  
 D615,447 S \* 5/2010 Raum ..... D11/79  
 D663,916 S \* 7/2012 Bracey ..... D2/605  
 D668,429 S 10/2012 Ross  
 D712,297 S \* 9/2014 Taylor-Cattapan ..... D11/79  
 D712,298 S \* 9/2014 Taylor-Cattapan ..... D11/79  
 D734,685 S 7/2015 Barresi  
 D748,370 S 2/2016 Johnson  
 D775,777 S \* 1/2017 Peral ..... D2/605  
 D817,592 S \* 5/2018 Pandolfino ..... D2/605

(56) **References Cited**

U.S. PATENT DOCUMENTS

2,129,491 A \* 9/1938 Chilson ..... A44C 25/004  
 24/265 WS  
 D112,303 S 11/1938 Huddle  
 2,176,253 A \* 10/1939 Fogarty ..... A45C 13/42  
 40/661.06  
 D178,449 S 8/1956 Brown  
 3,127,302 A \* 3/1964 Bunting ..... A63H 33/22  
 206/486  
 D249,339 S \* 9/1978 Coulthurst ..... D11/79  
 D266,555 S \* 10/1982 McNally ..... D11/80  
 4,447,913 A 5/1984 Engelson  
 D276,191 S 11/1984 Engelson  
 4,546,494 A 10/1985 Garber  
 4,617,685 A 10/1986 Grandis  
 4,627,113 A 12/1986 Lord  
 D318,754 S \* 8/1991 Hughes ..... D2/605  
 5,036,550 A 8/1991 Wilsey  
 D320,499 S \* 10/1991 White ..... D2/605  
 5,238,528 A 8/1993 Heinrich  
 D340,005 S \* 10/1993 Butler, Jr. .... D11/79  
 5,673,434 A 10/1997 Risk  
 D398,435 S 9/1998 Gray  
 D436,693 S \* 1/2001 Thorpe ..... A45D 33/00  
 D28/76  
 D480,533 S 10/2003 Bryant, II et al.

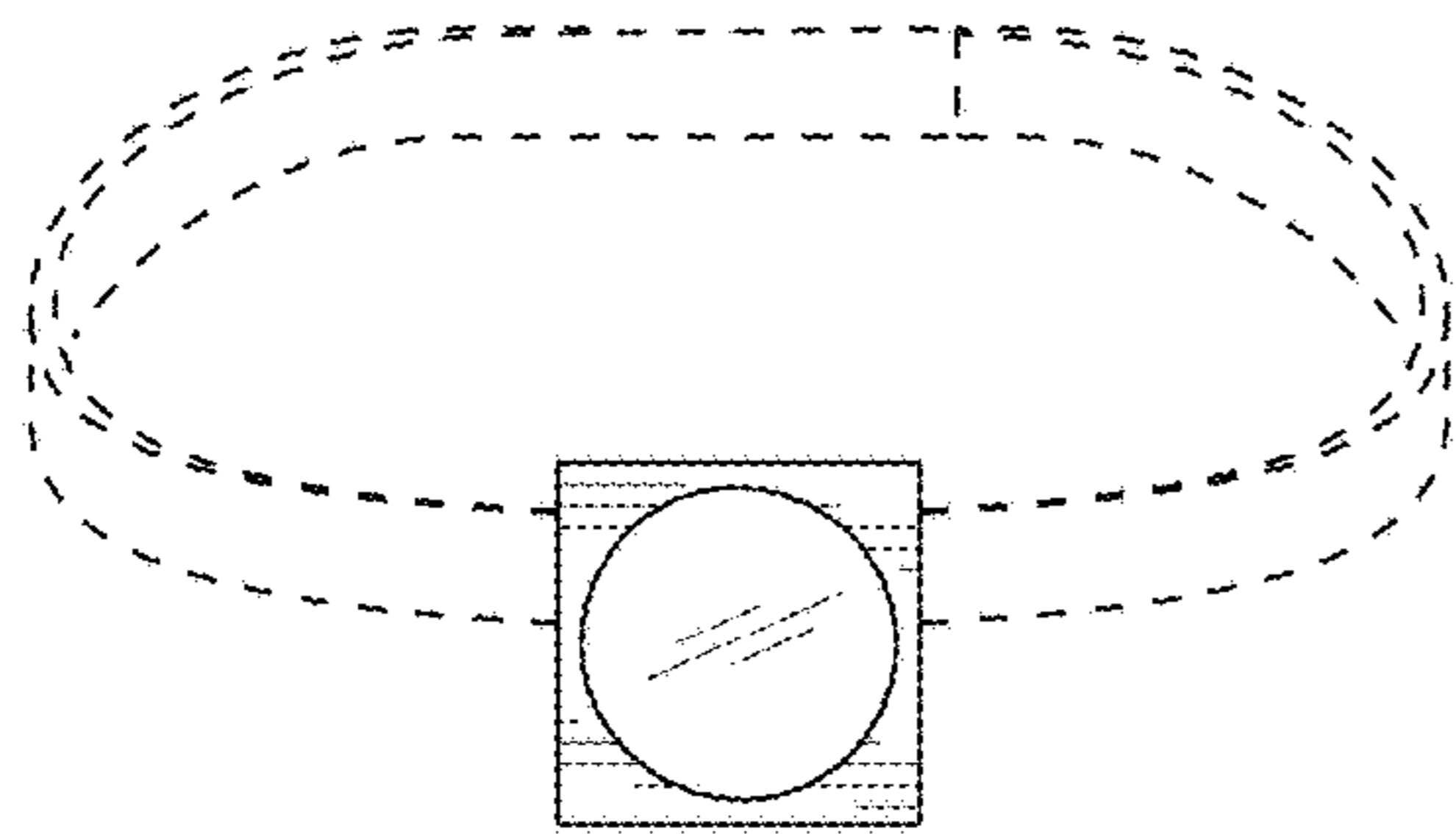
FOREIGN PATENT DOCUMENTS

JP 2010-248641 A 11/2010  
 WO 88/06414 A1 9/1988

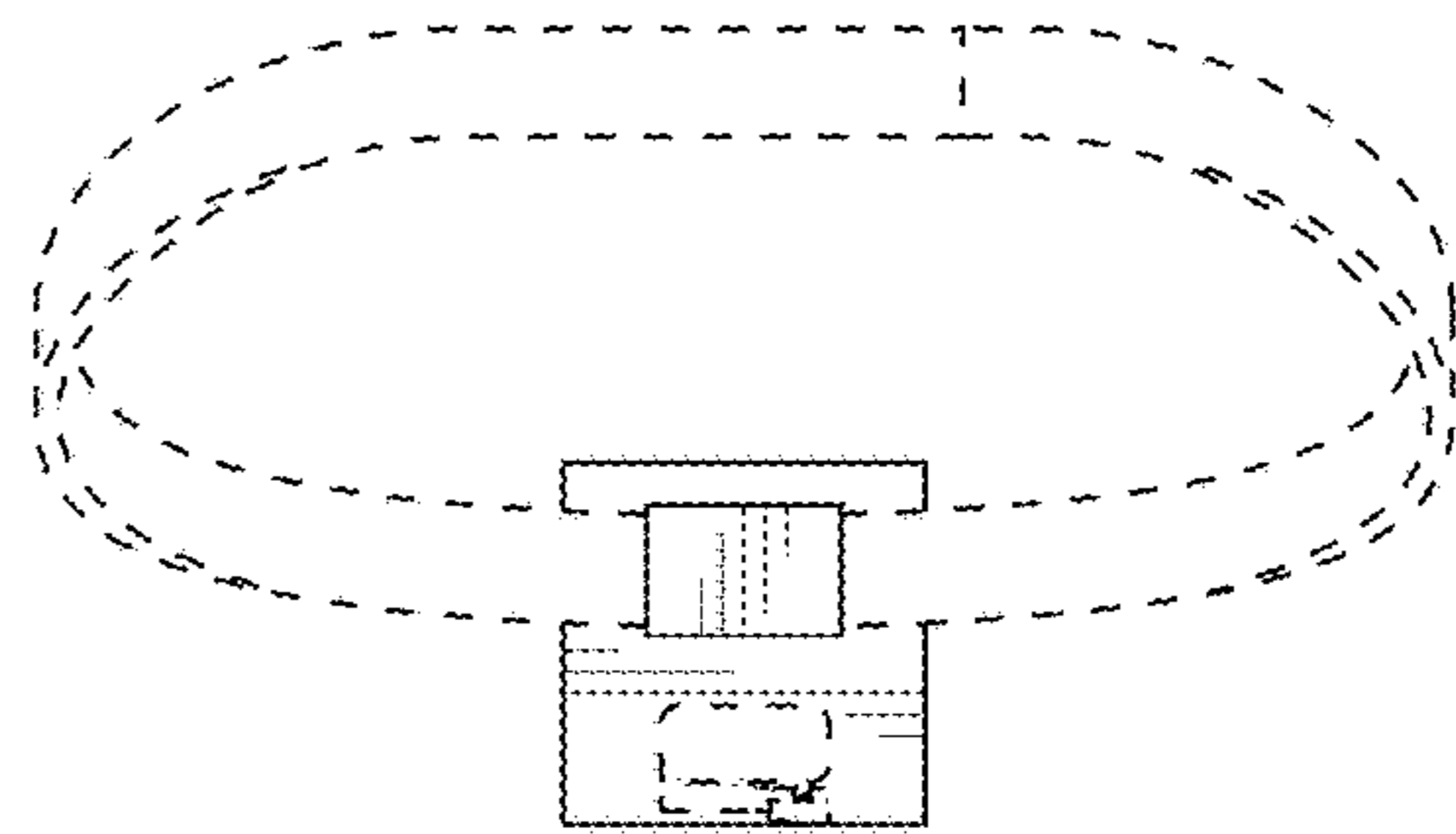
OTHER PUBLICATIONS

Hatfeathers Vintage, <http://www.hatfeathersvintage.com/shop/vintage-80s-red-black-big-polka-dot-tie-necktie>, retrieved prior to Jan. 25, 2018.  
<http://woodknot.com/>; author and publication date unknown, retrieved prior to Jan. 25, 2018.  
<http://www.jebiga.com/cams-wooden-ties-new-take-fashion/>; author and publication date unknown, retrieved prior to Jan. 25, 2018.  
<https://www.vat19.com/item/wood-tie>; author and publication date unknown, retrieved prior to Jan. 25, 2018.  
 The fusionguy, <https://thefusionguy.wordpress.com/category/woodworking/>; author and publication date unknown, retrieved prior to Jan. 25, 2018.  
 tie-necktie.com, [http://www.ties-necktie.com/giant-polka-dot-skinny-tie-blue-p-21337.html?gclid=EAlalQobChMIppjt1aXT2AIVmY-zCh2CTABBEAQYASABEgINCPD\\_BwE](http://www.ties-necktie.com/giant-polka-dot-skinny-tie-blue-p-21337.html?gclid=EAlalQobChMIppjt1aXT2AIVmY-zCh2CTABBEAQYASABEgINCPD_BwE), retrieved prior to Jan. 25, 2018.  
 Ties.com, <https://www.ties.com/v/a/holidays-ornaments-shaped-black-tie>, retrieved prior to Jan. 25, 2018.  
 Ties.com, <https://www.ties.com/wild-ties-black-the-8-planets-skinny-tie>, retrieved prior to Jan. 25, 2018.

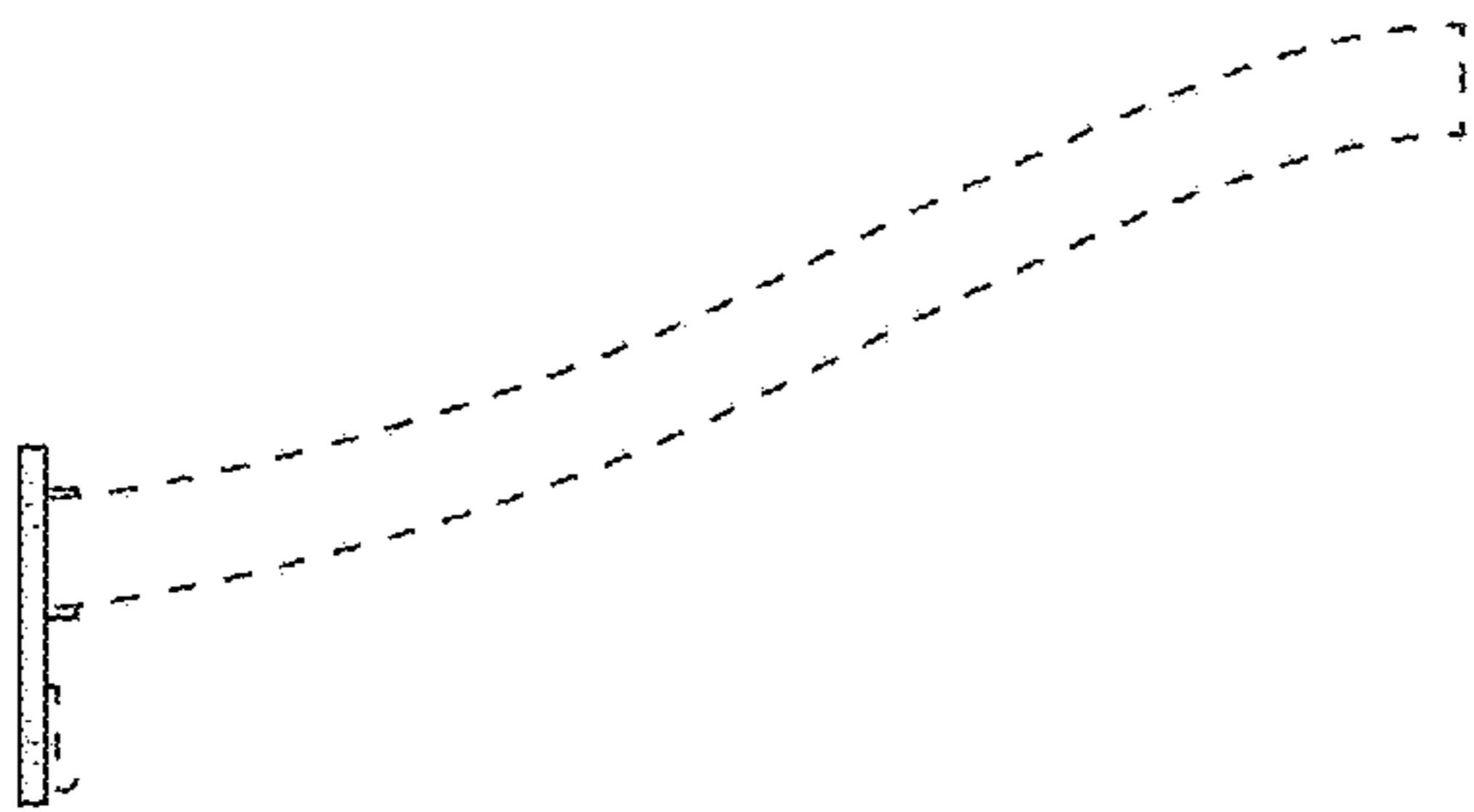
\* cited by examiner



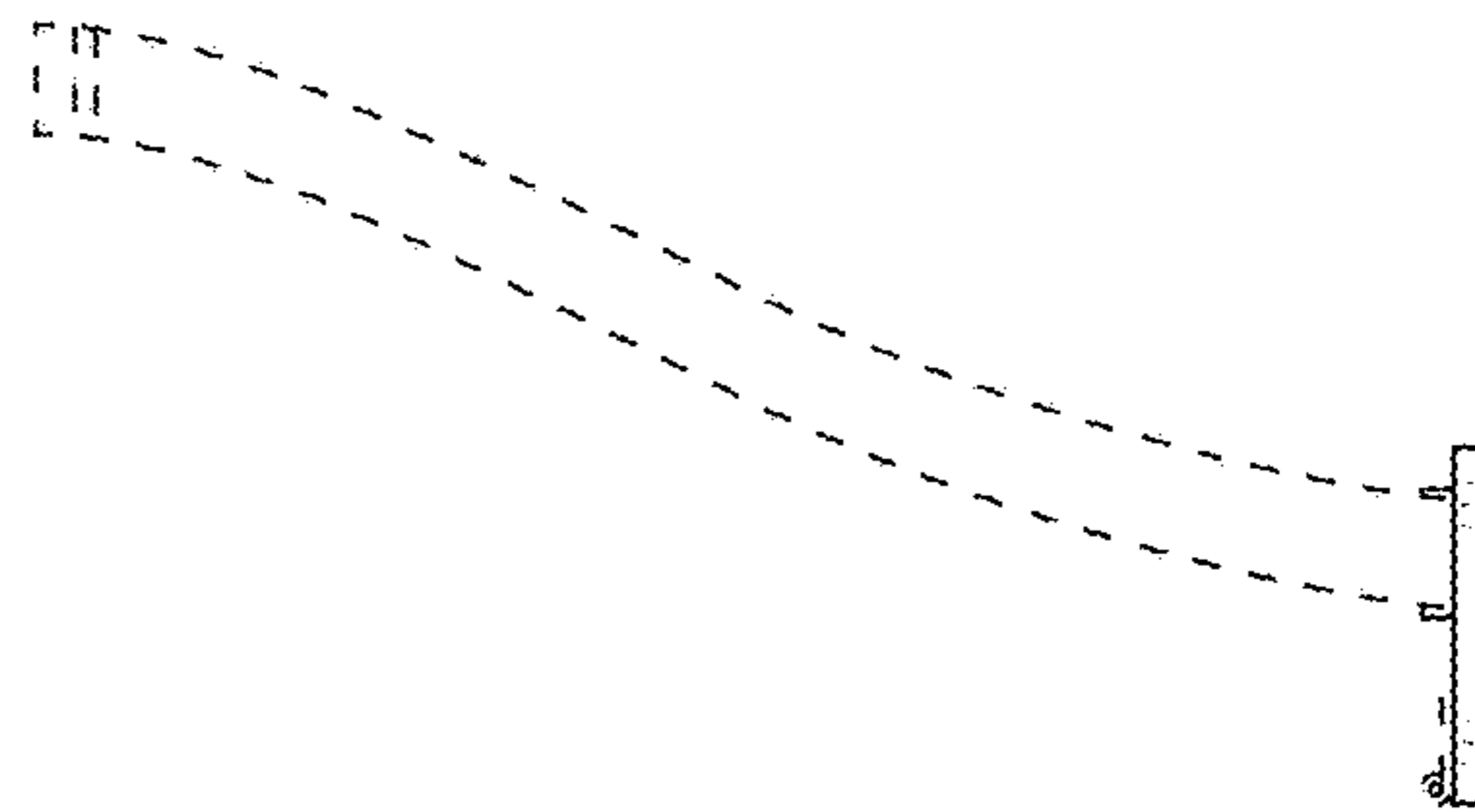
**FIG. 1**



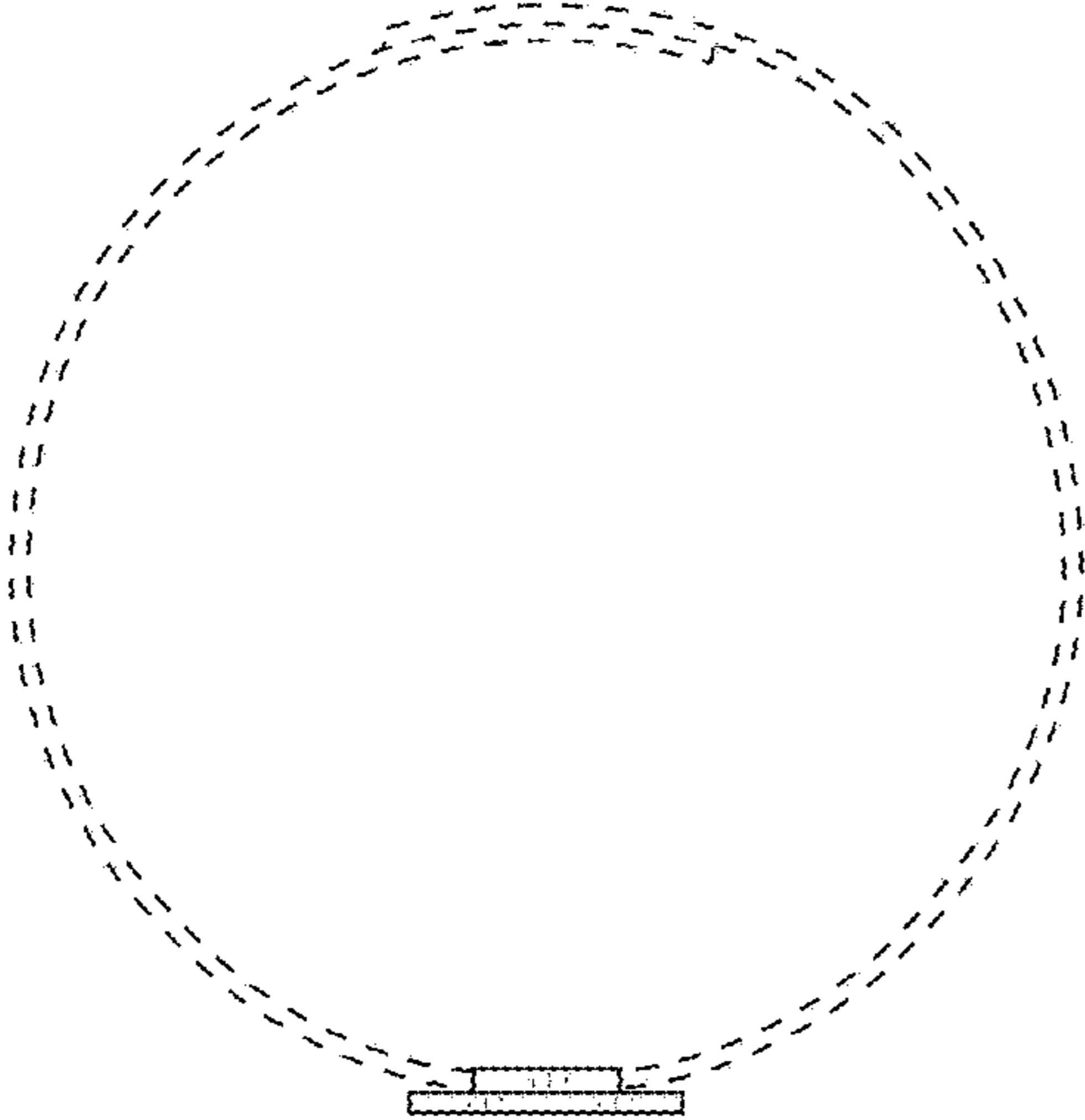
**FIG. 2**



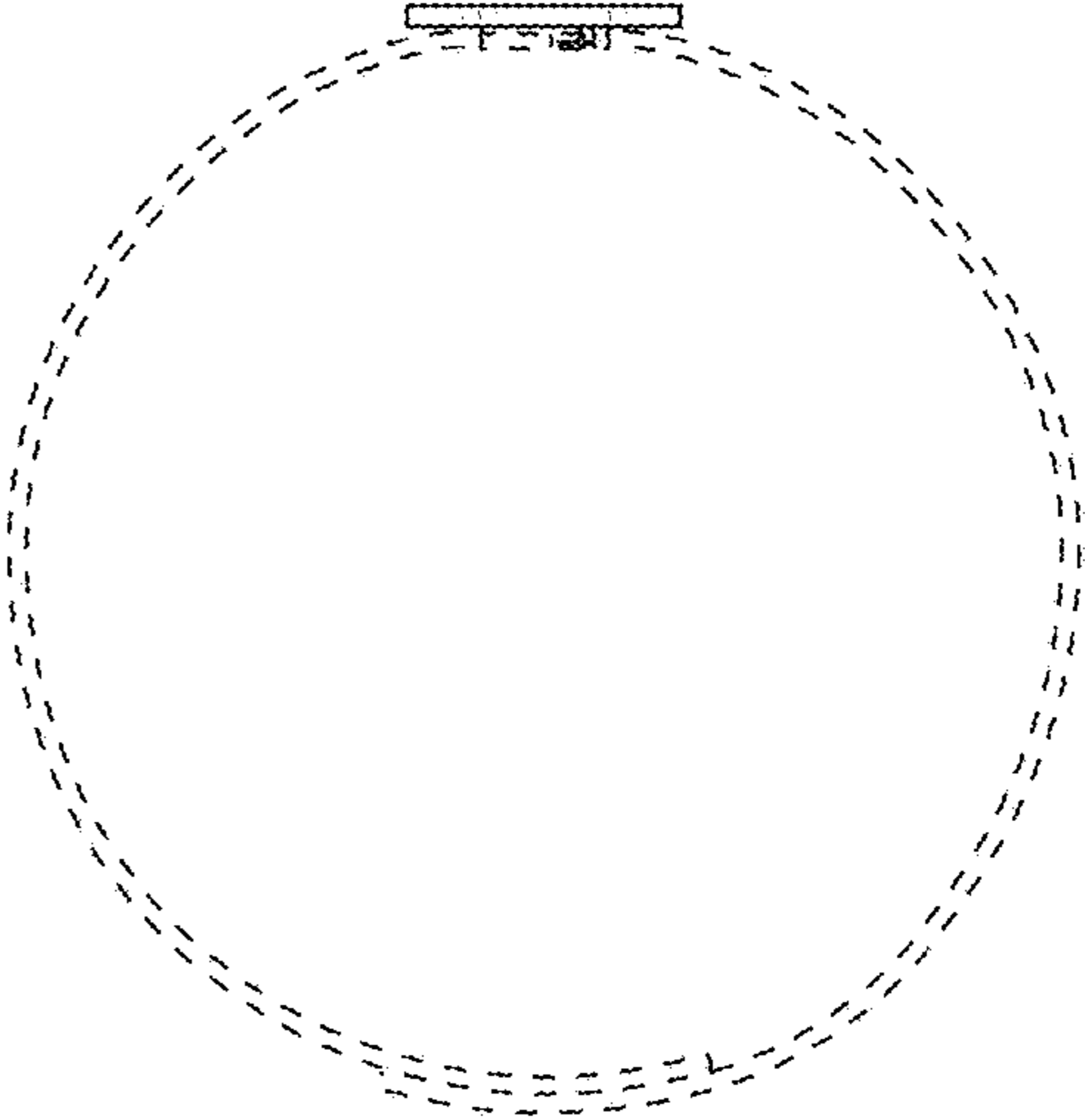
**FIG. 3**



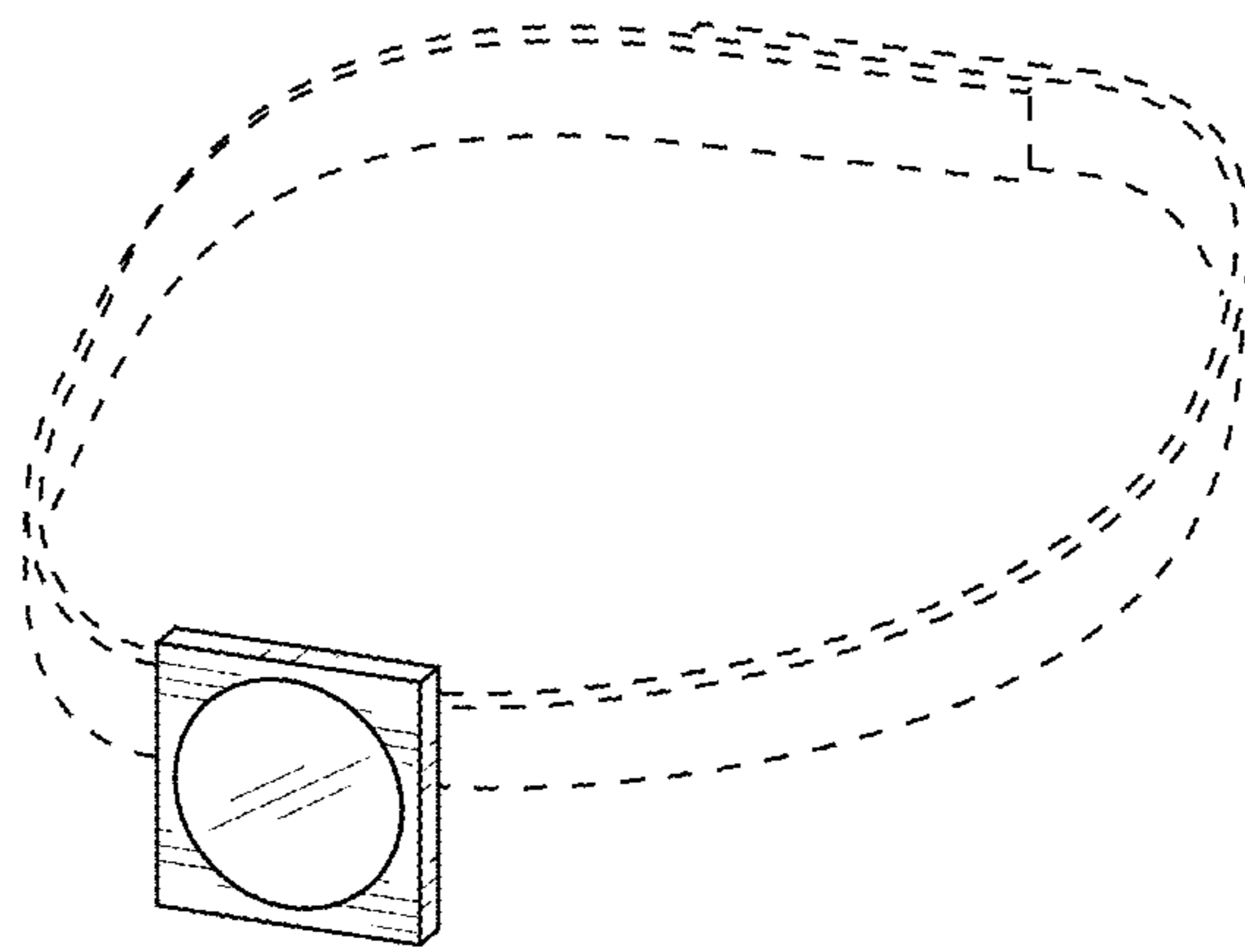
**FIG. 4**



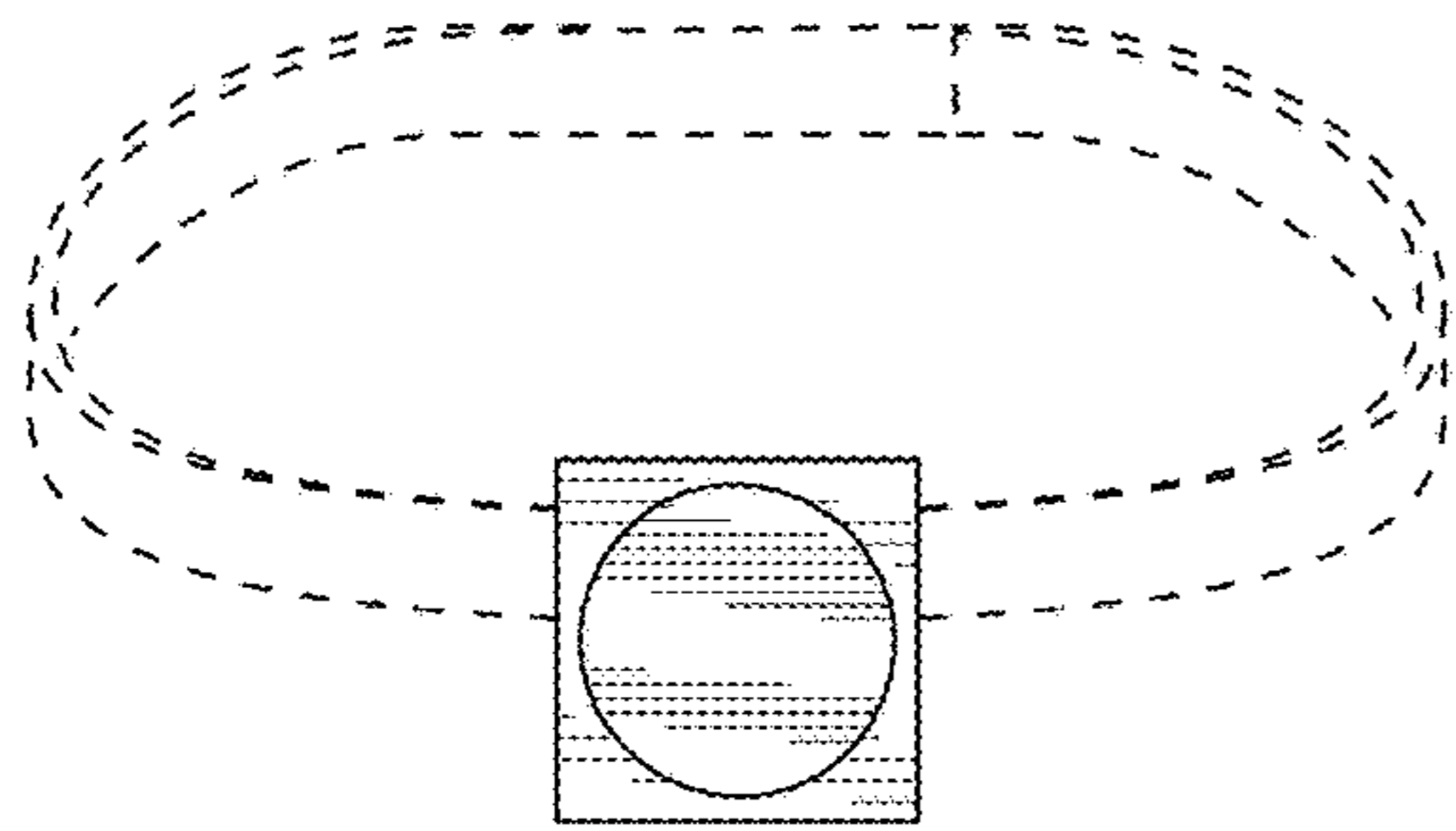
**FIG. 5**



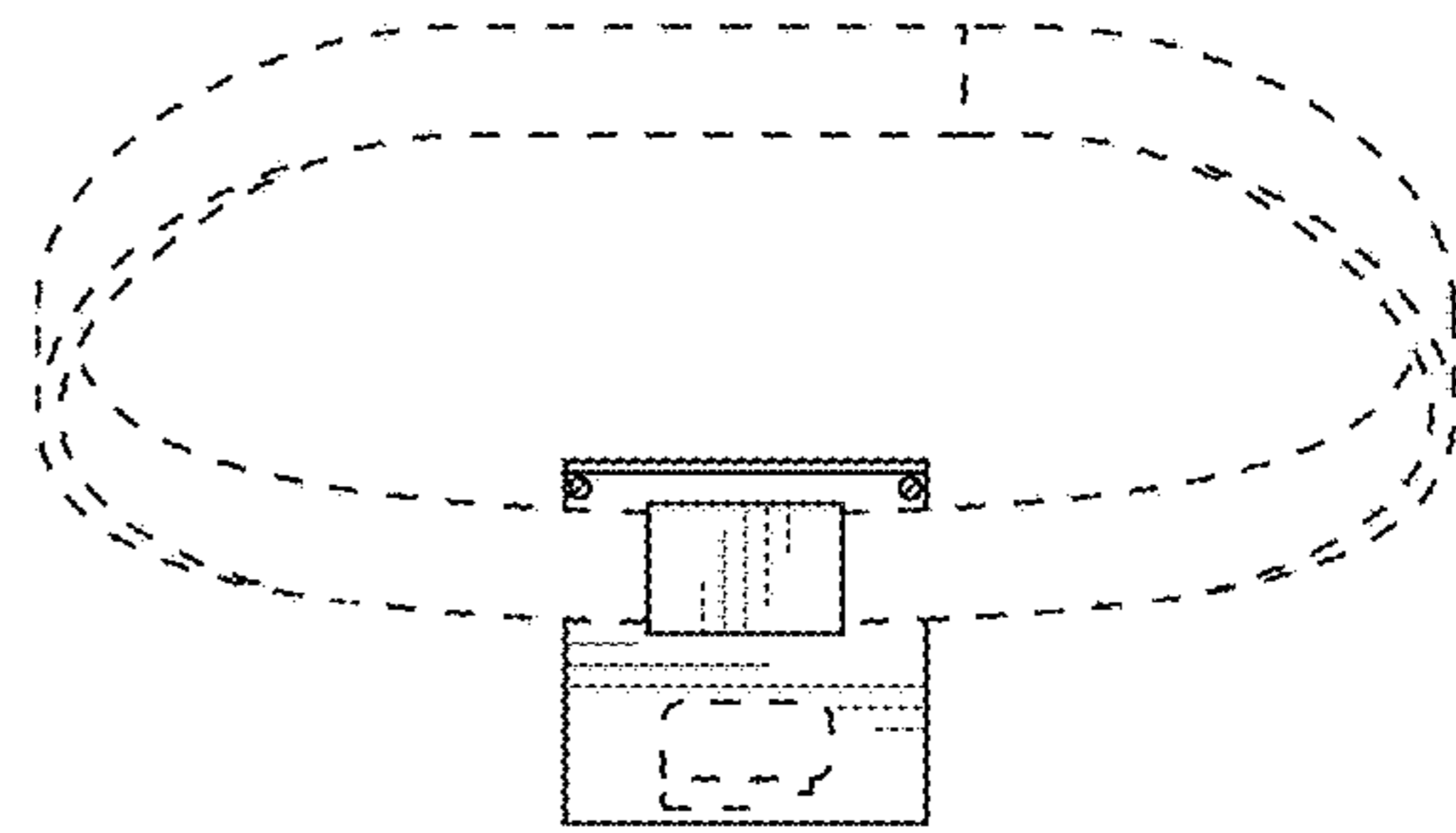
**FIG. 6**



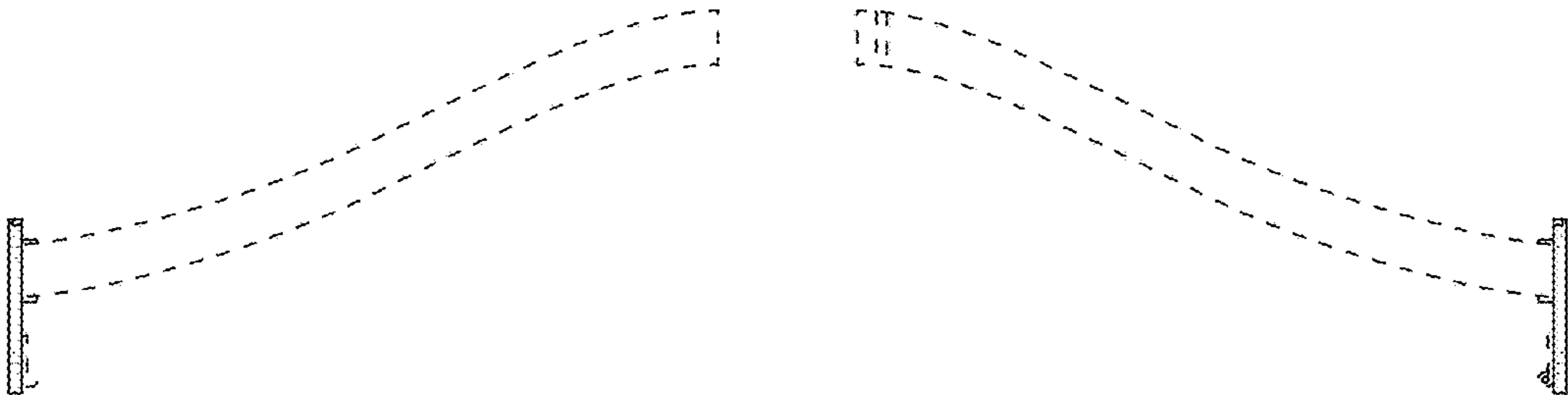
**FIG. 7**



**FIG. 8**



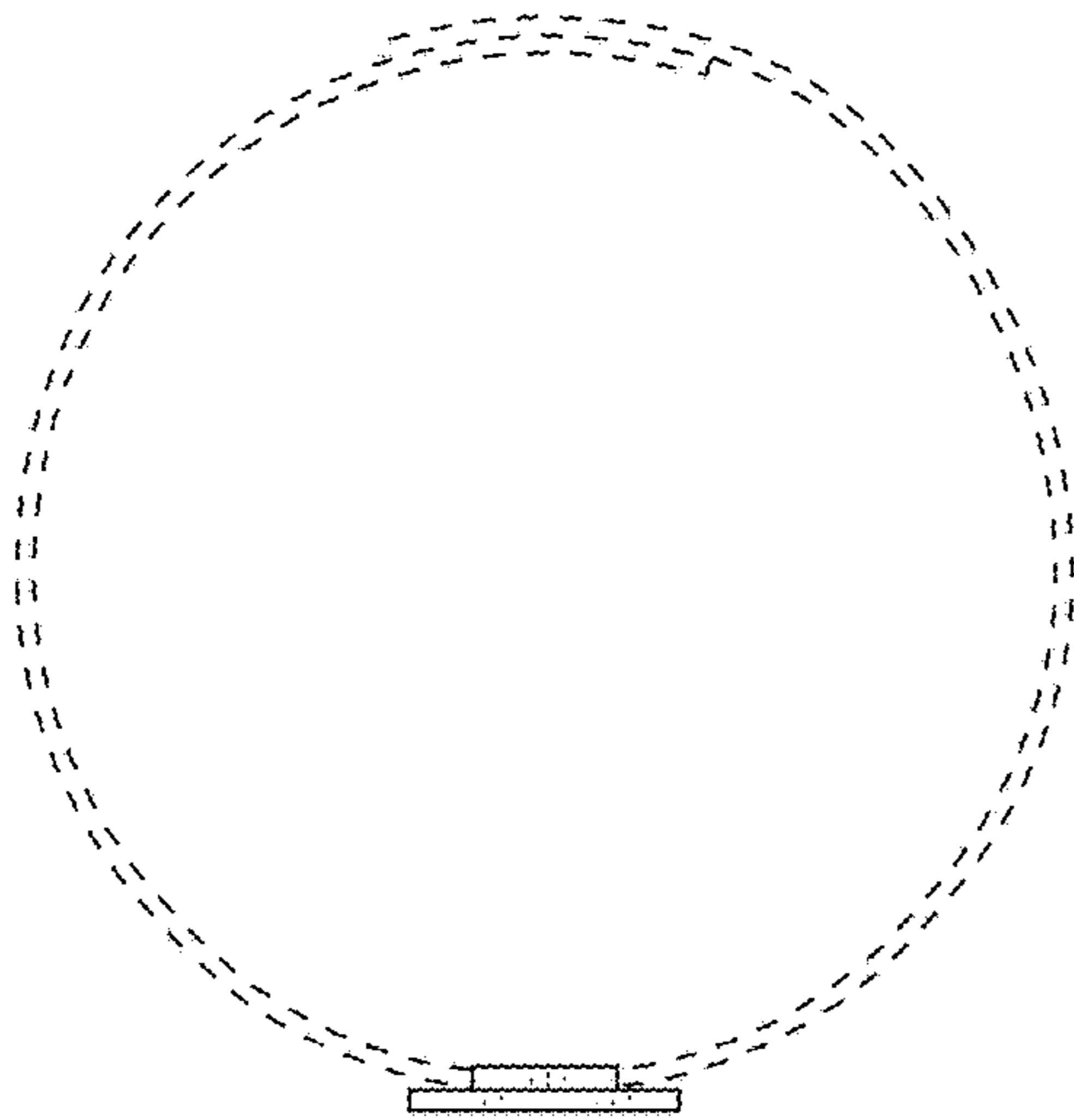
**FIG. 9**



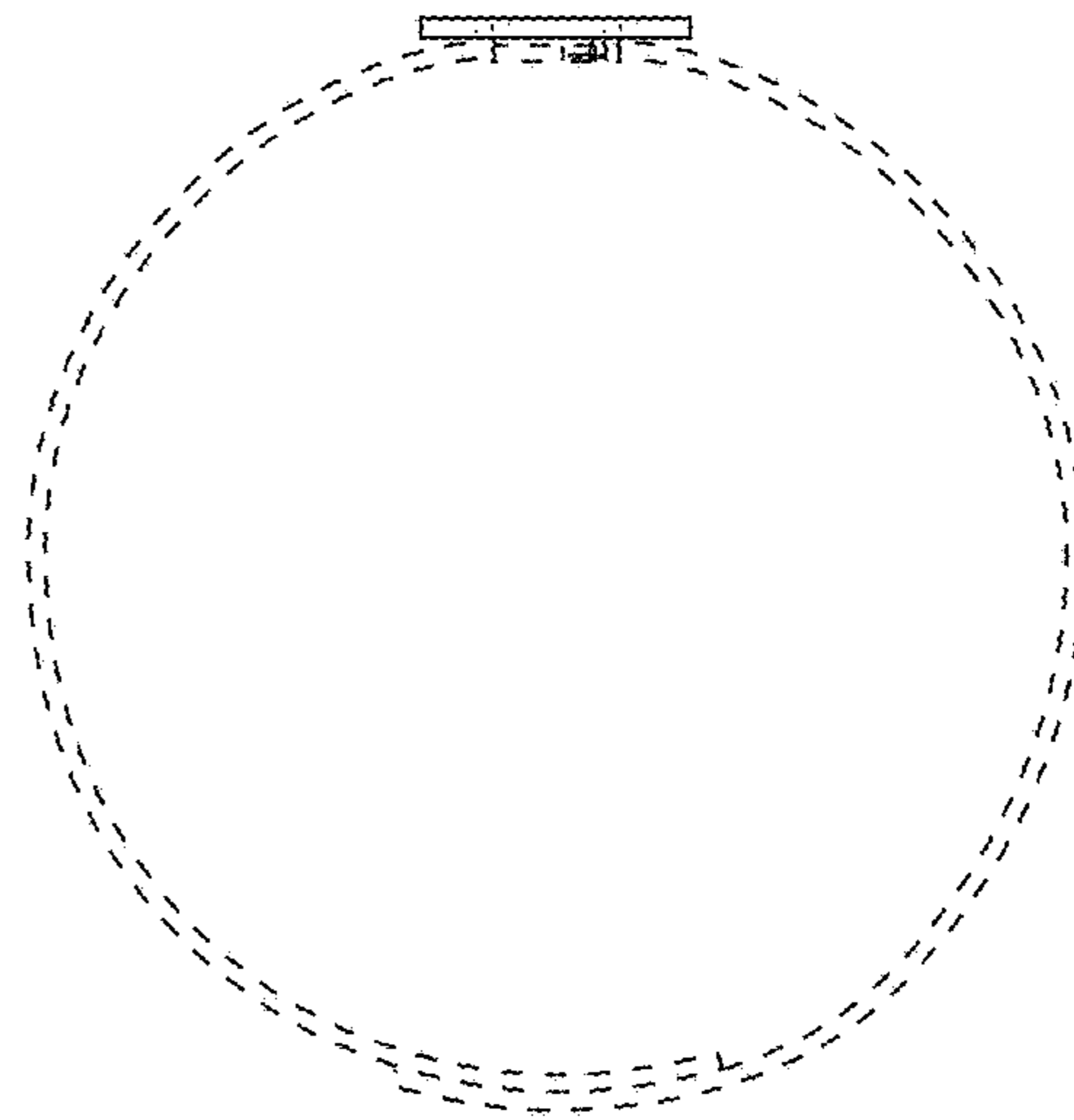
**FIG. 10**

**FIG. 11**

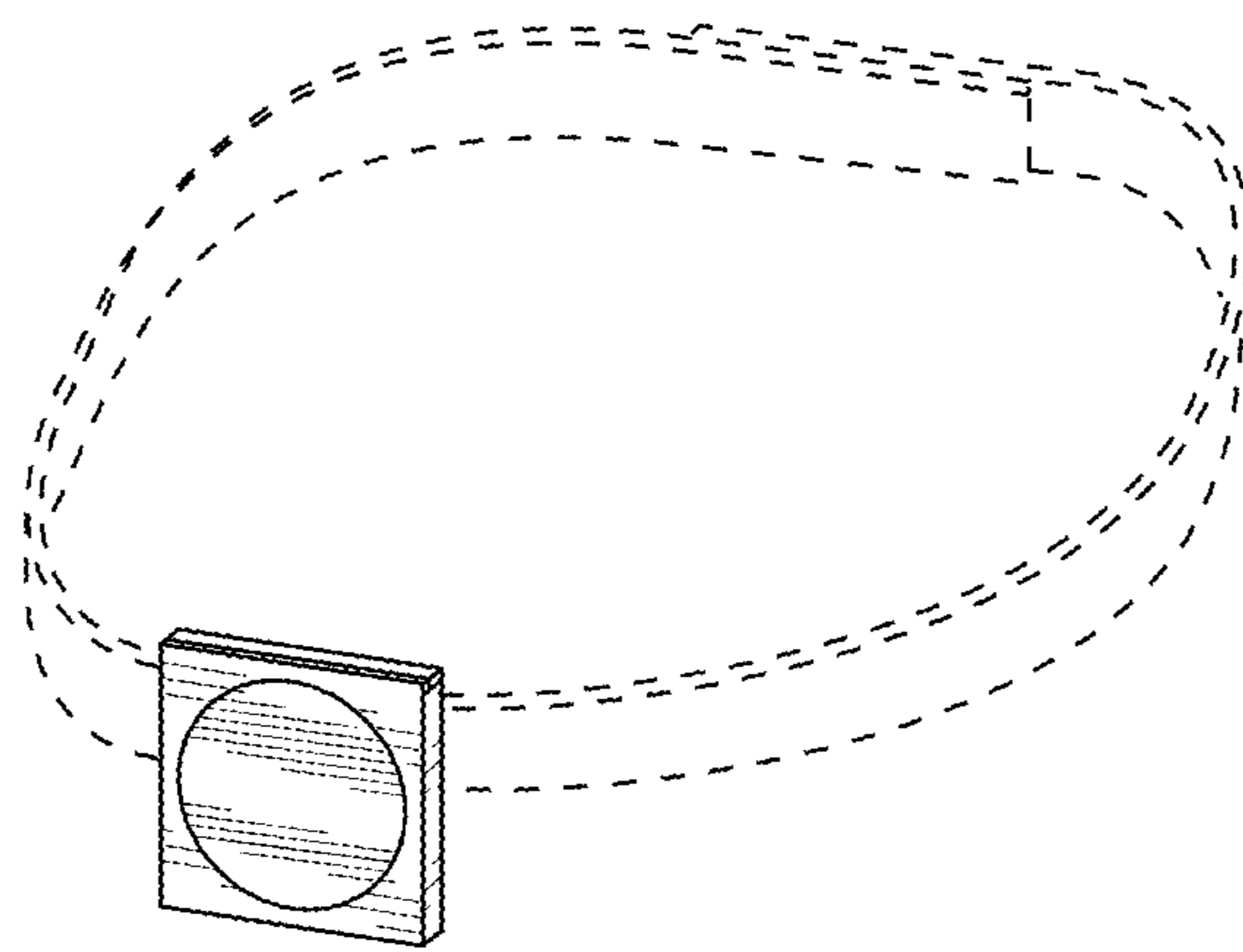




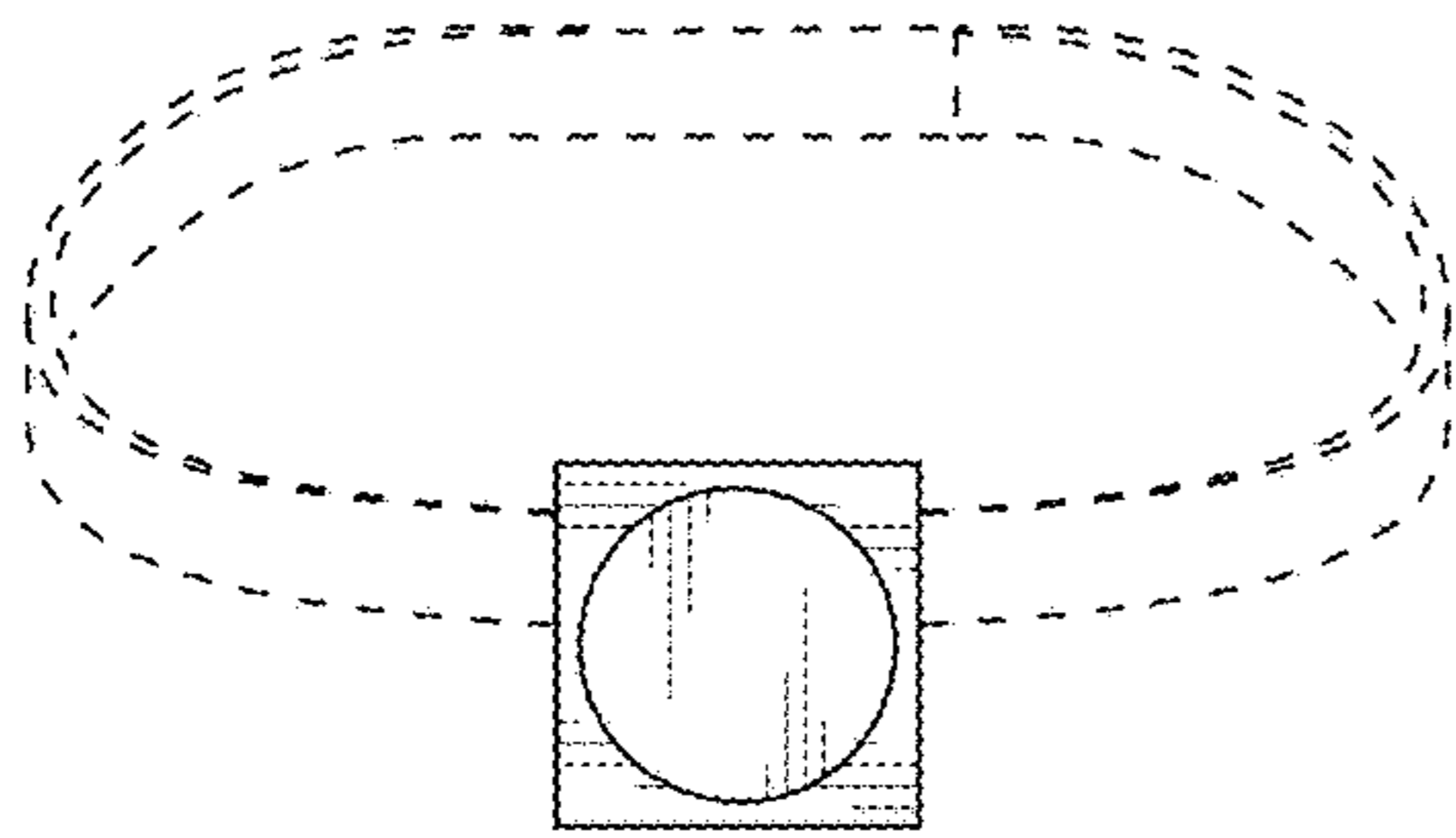
**FIG. 12**



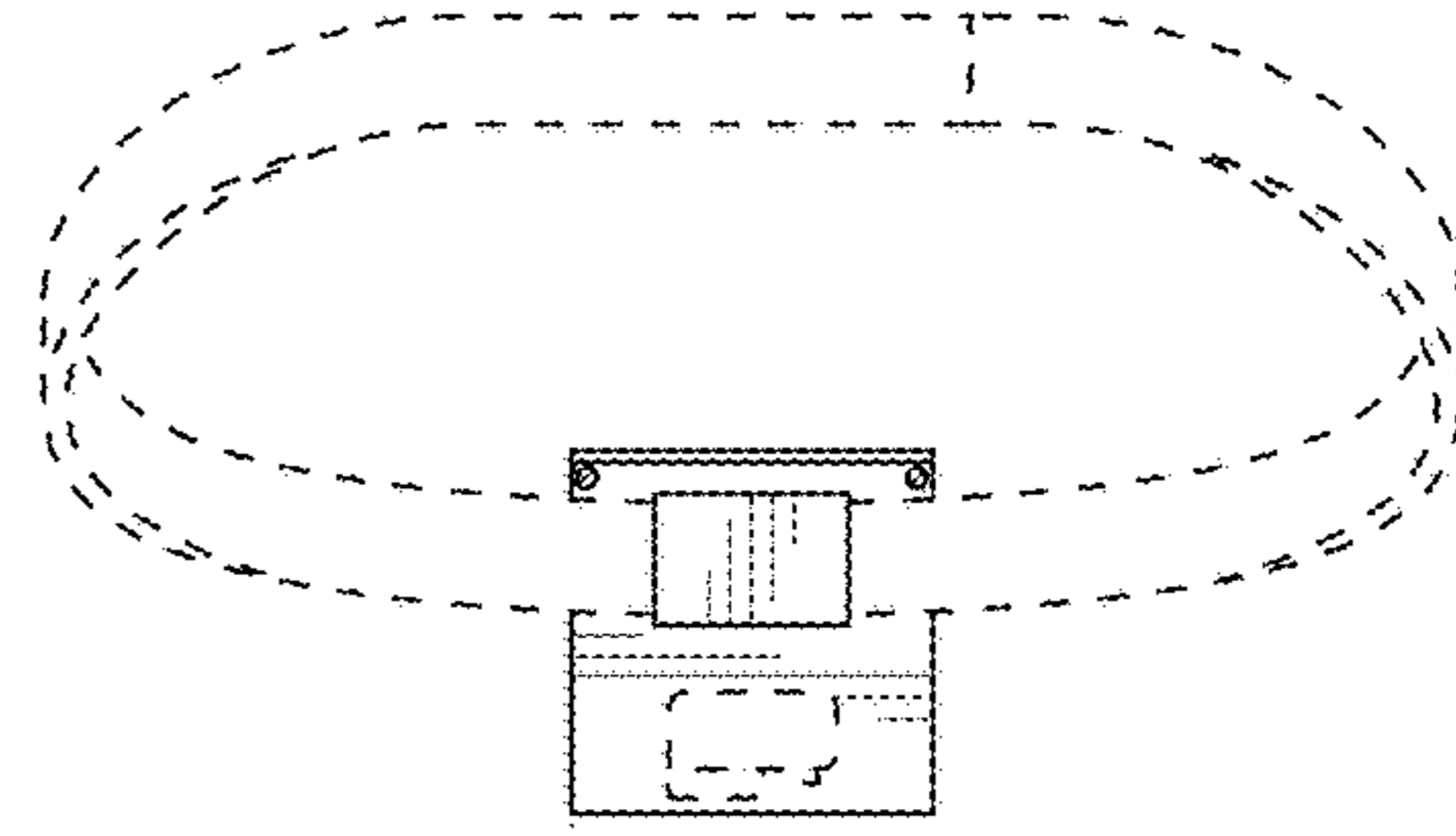
**FIG. 13**



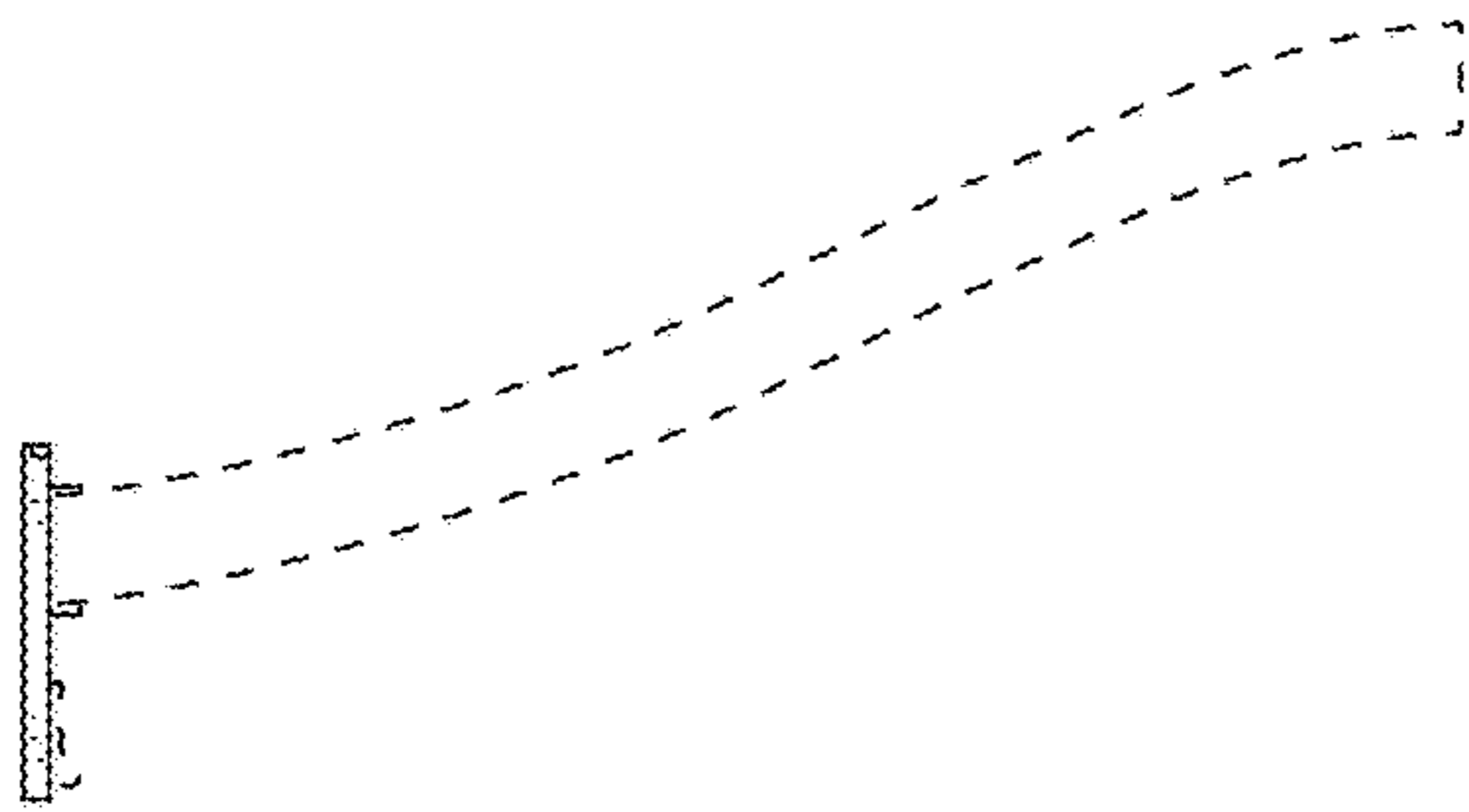
**FIG. 14**



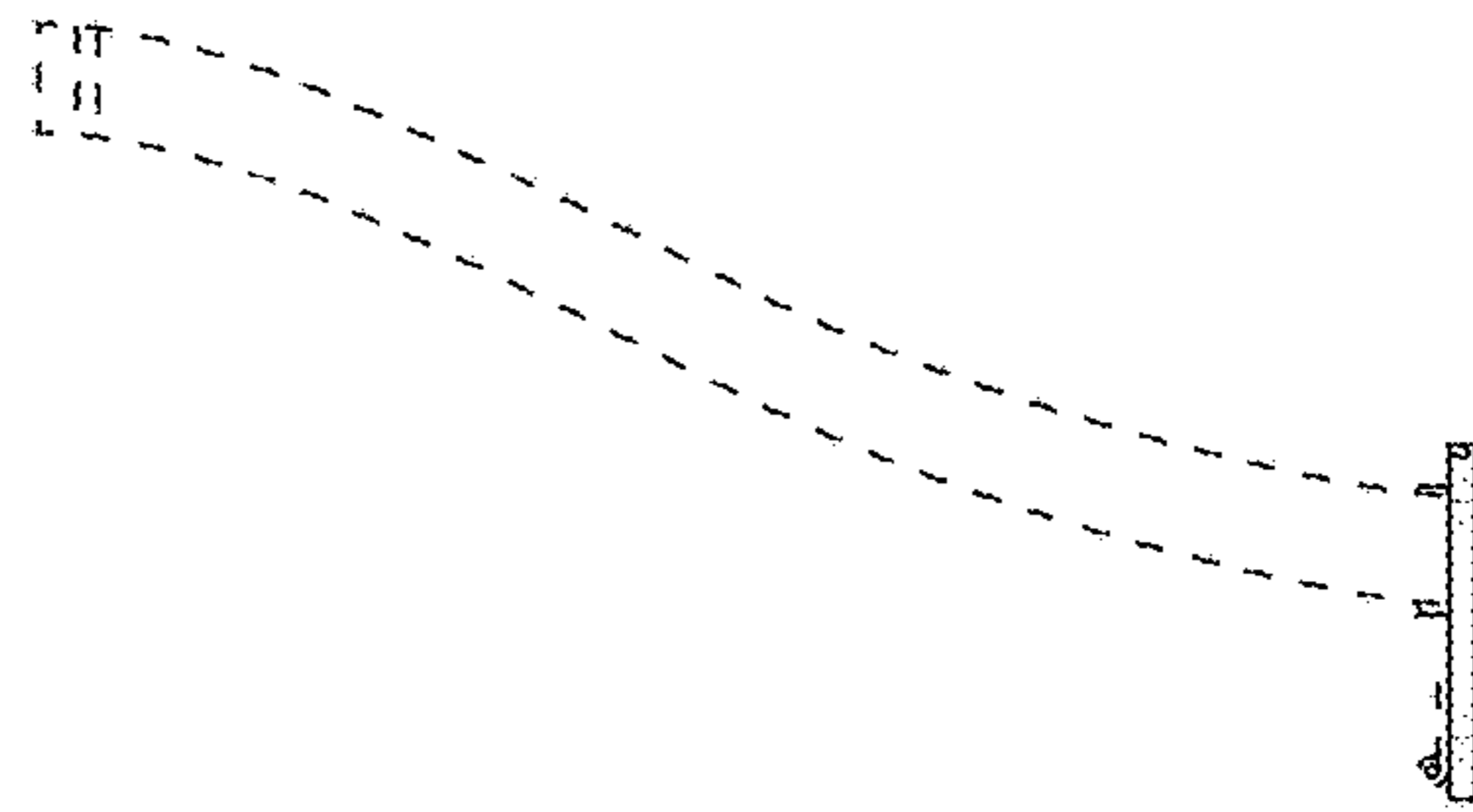
**FIG. 15**



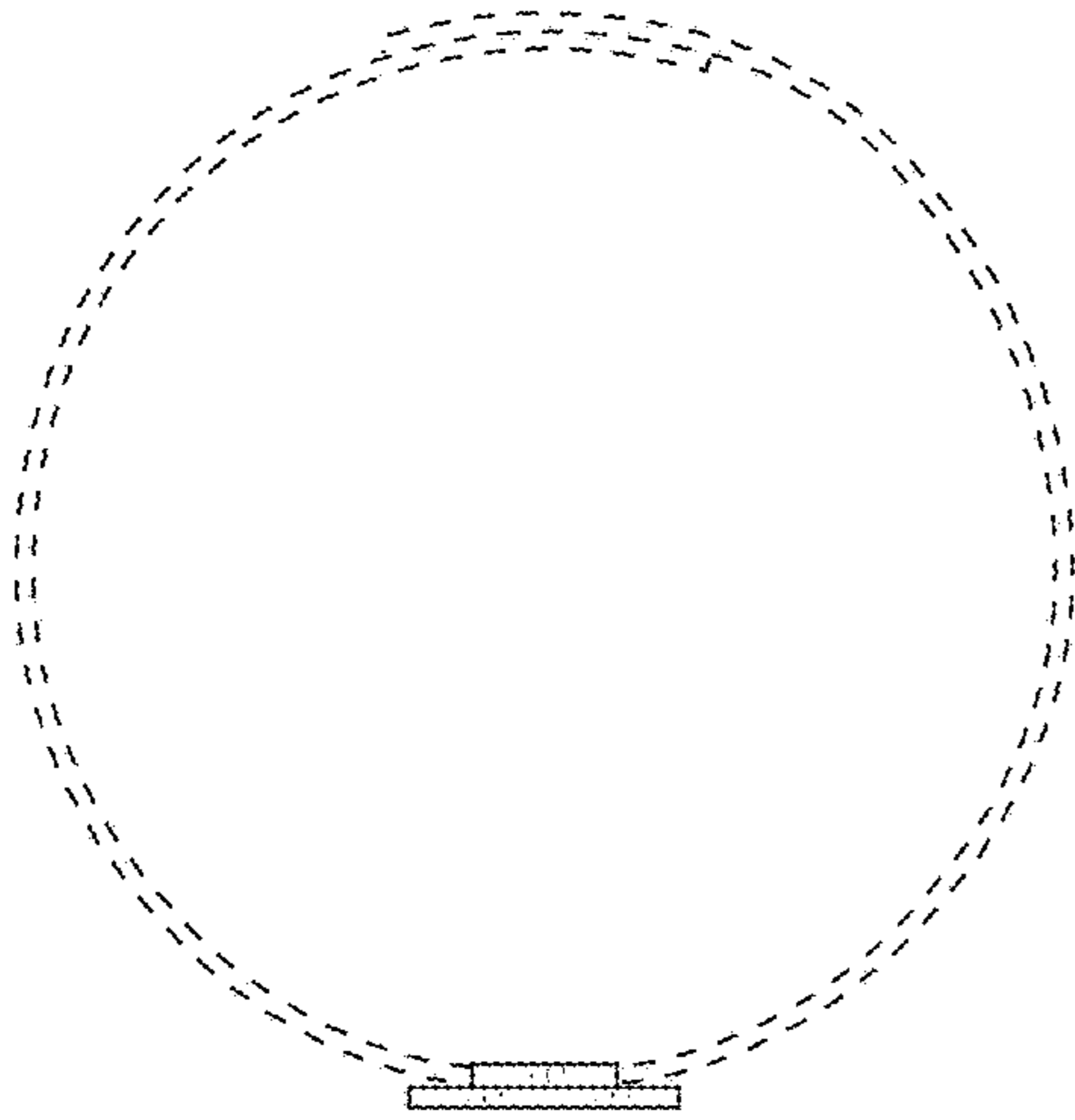
**FIG. 16**



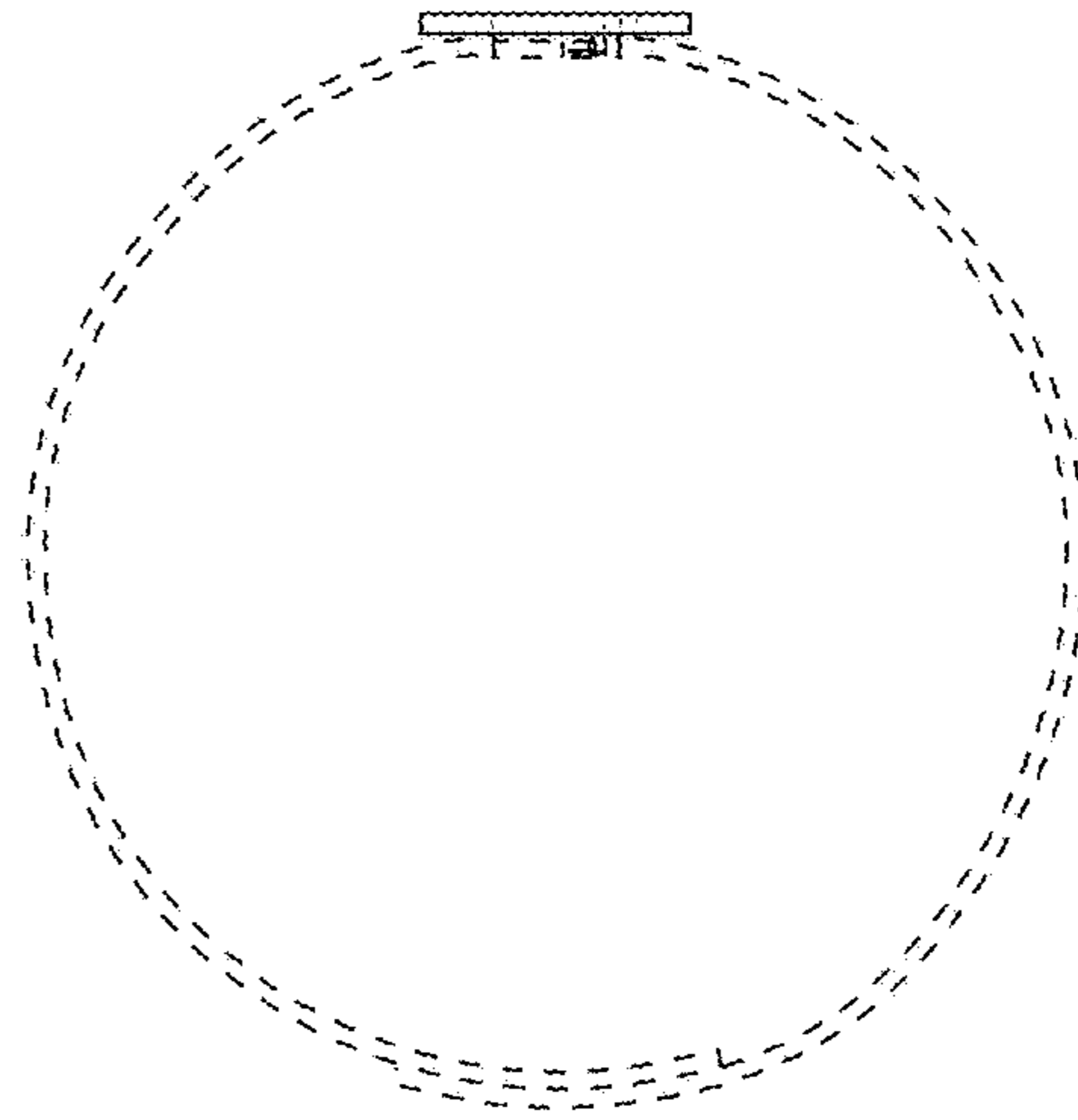
**FIG. 17**



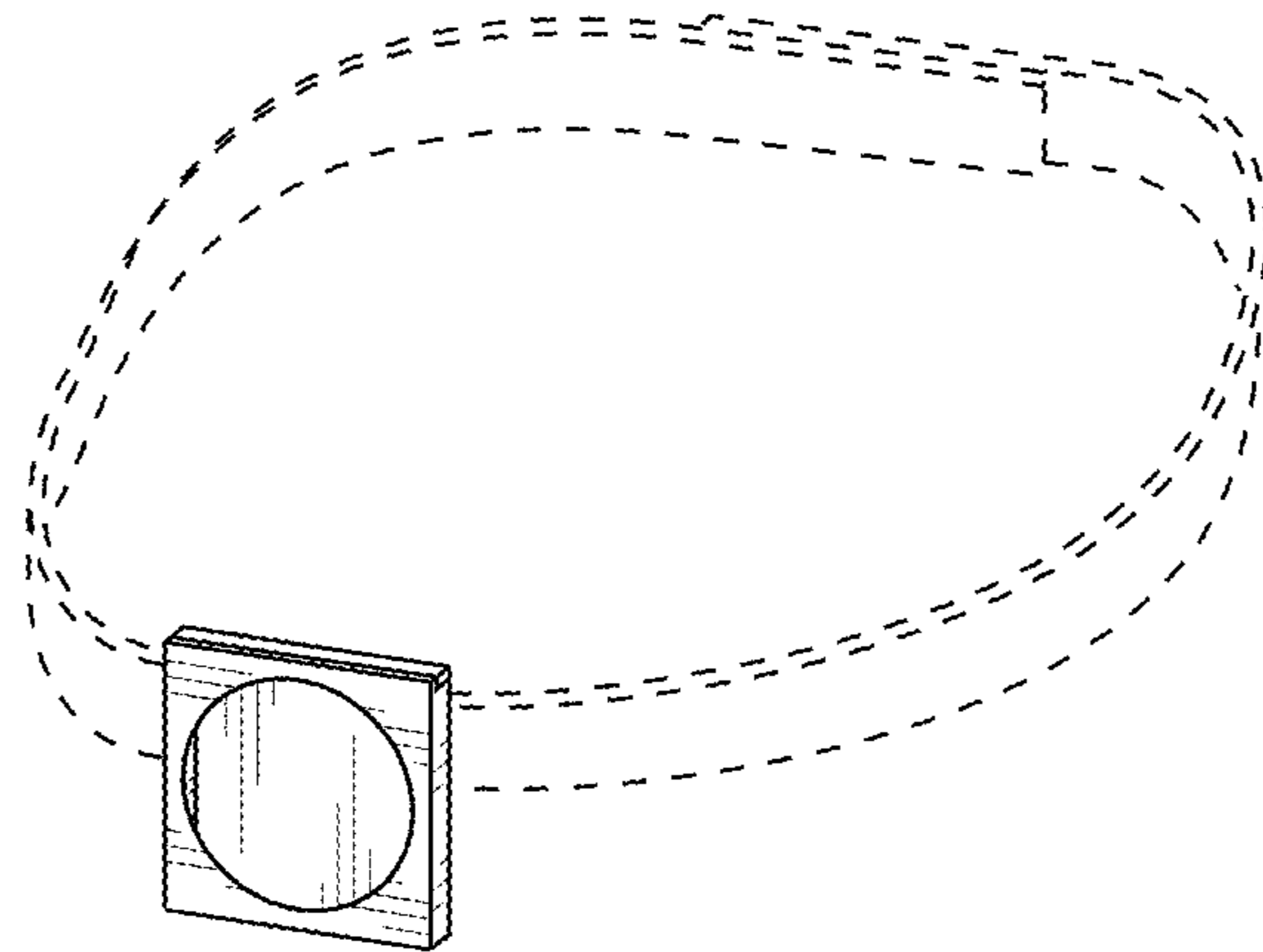
**FIG. 18**



**FIG. 19**



**FIG. 20**



**FIG. 21**