



US00D834985S

(12) **United States Design Patent** (10) **Patent No.:** **US D834,985 S**
McClelland (45) **Date of Patent:** **** Dec. 4, 2018**

(54) **JEWELRY RING**

(71) Applicant: **Thomas W McClelland**, Great Barrington, MA (US)

(72) Inventor: **Thomas W McClelland**, Great Barrington, MA (US)

(**) Term: **15 Years**

(21) Appl. No.: **29/607,486**

(22) Filed: **Jun. 13, 2017**

(51) **LOC (11) Cl.** **11-01**

(52) **U.S. Cl.**
 USPC **D11/34**

(58) **Field of Classification Search**
 USPC D11/1-43, 47, 77-80, 85, 86, 89-92
 CPC A44C 1/00; A44C 5/00; A44C 5/0007;
 A44C 5/0015; A44C 5/0023; A44C
 5/003; A44C 5/0084; A44C 5/0092; A44C
 7/00; A44C 7/001; A44C 7/002; A44C
 7/003; A44C 7/004; A44C 7/005; A44C
 9/00; A44C 9/0038; A44C 9/0046; A44C
 9/0053; A44C 9/0061; A44C 9/0069;
 A44C 9/0084; A44C 9/02; A44C 13/00
 See application file for complete search history.

(56) **References Cited**

U.S. PATENT DOCUMENTS

D176,778 S * 1/1956 Katz D11/4
 D183,839 S * 11/1958 Hudson D11/92
 D190,514 S * 6/1961 Doering D11/92
 D434,693 S * 12/2000 Kaplan D11/91
 D445,058 S * 7/2001 Kaplan D11/91
 D454,090 S * 3/2002 Kaplan D11/91
 D527,672 S * 9/2006 Schumacher D11/92
 D530,640 S * 10/2006 Shah D11/30

D530,644 S * 10/2006 Mehta D11/92
 D550,585 S * 9/2007 Shin D11/91
 D595,175 S * 6/2009 Gruosi D11/26
 D597,439 S * 8/2009 Williams D11/91
 D602,803 S * 10/2009 Gruosi D11/27
 D603,288 S * 11/2009 Grosser-Samuels D11/26
 D652,763 S * 1/2012 Dunlop D11/92
 D686,102 S * 7/2013 Shlakman D11/26
 D686,521 S * 7/2013 McClelland D11/26
 D686,522 S * 7/2013 McClelland D11/33
 D691,062 S * 10/2013 McClelland D11/26
 D706,667 S * 6/2014 McClelland D11/26
 D718,175 S * 11/2014 Ross D11/92
 D726,068 S * 4/2015 Minister D11/92
 D727,786 S * 4/2015 Shlakman D11/26
 D729,106 S * 5/2015 Shlakman D11/26
 D763,115 S * 8/2016 Nisguretsky D11/34

* cited by examiner

Primary Examiner — Cynthia Ramirez
Assistant Examiner — L. Martinez-Rivera
 (74) *Attorney, Agent, or Firm* — Symbus Law Group, LLC; Clifford D. Hyra

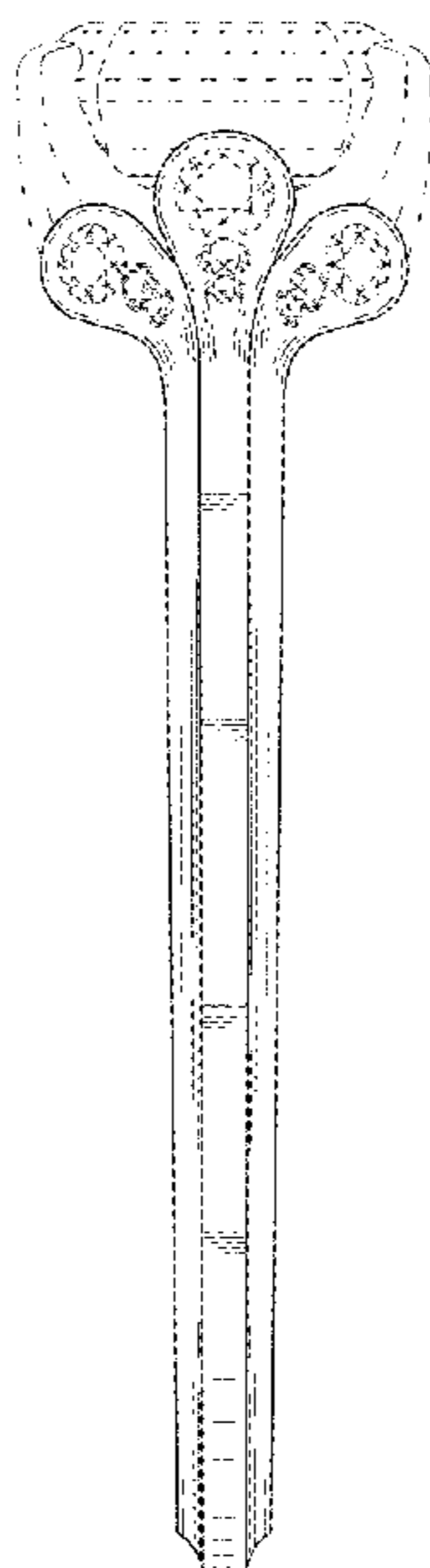
(57) **CLAIM**

The ornamental design for a jewelry ring, as shown and described.

DESCRIPTION

FIG. 1 is a left side view of a jewelry ring showing my new design, the right side view being identical thereto.
 FIG. 2 is a bottom front perspective view thereof.
 FIG. 3 is a front view thereof, the rear view being identical thereto.
 FIG. 4 is a top view thereof; and,
 FIG. 5 is a front right perspective view thereof.
 The broken lines in the drawings illustrate portions of the jewelry ring that form no part of the claimed design.

1 Claim, 5 Drawing Sheets



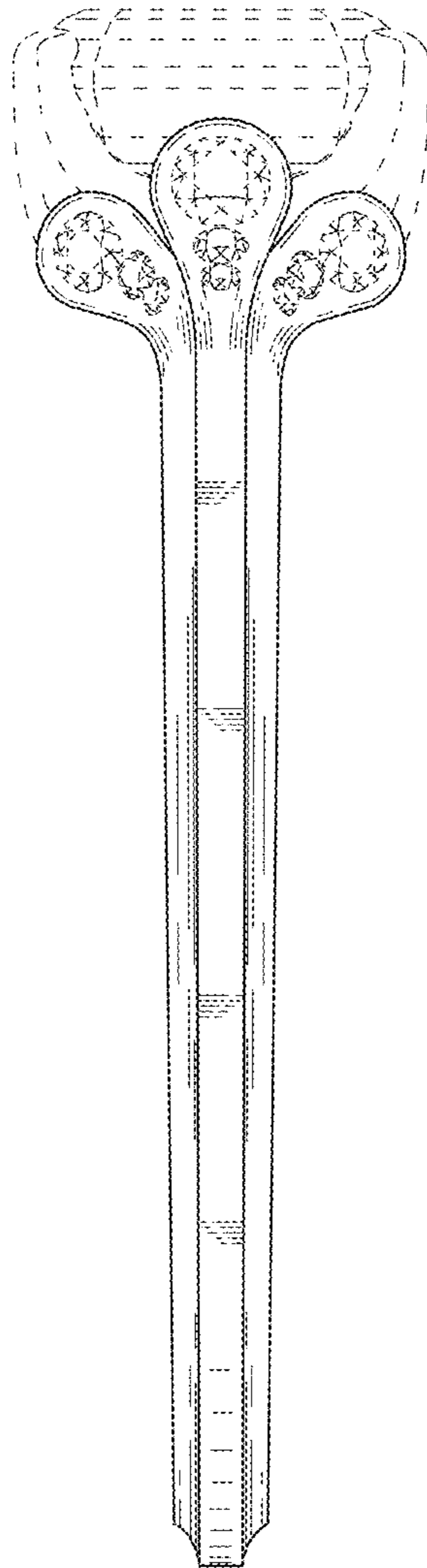


FIG. 1

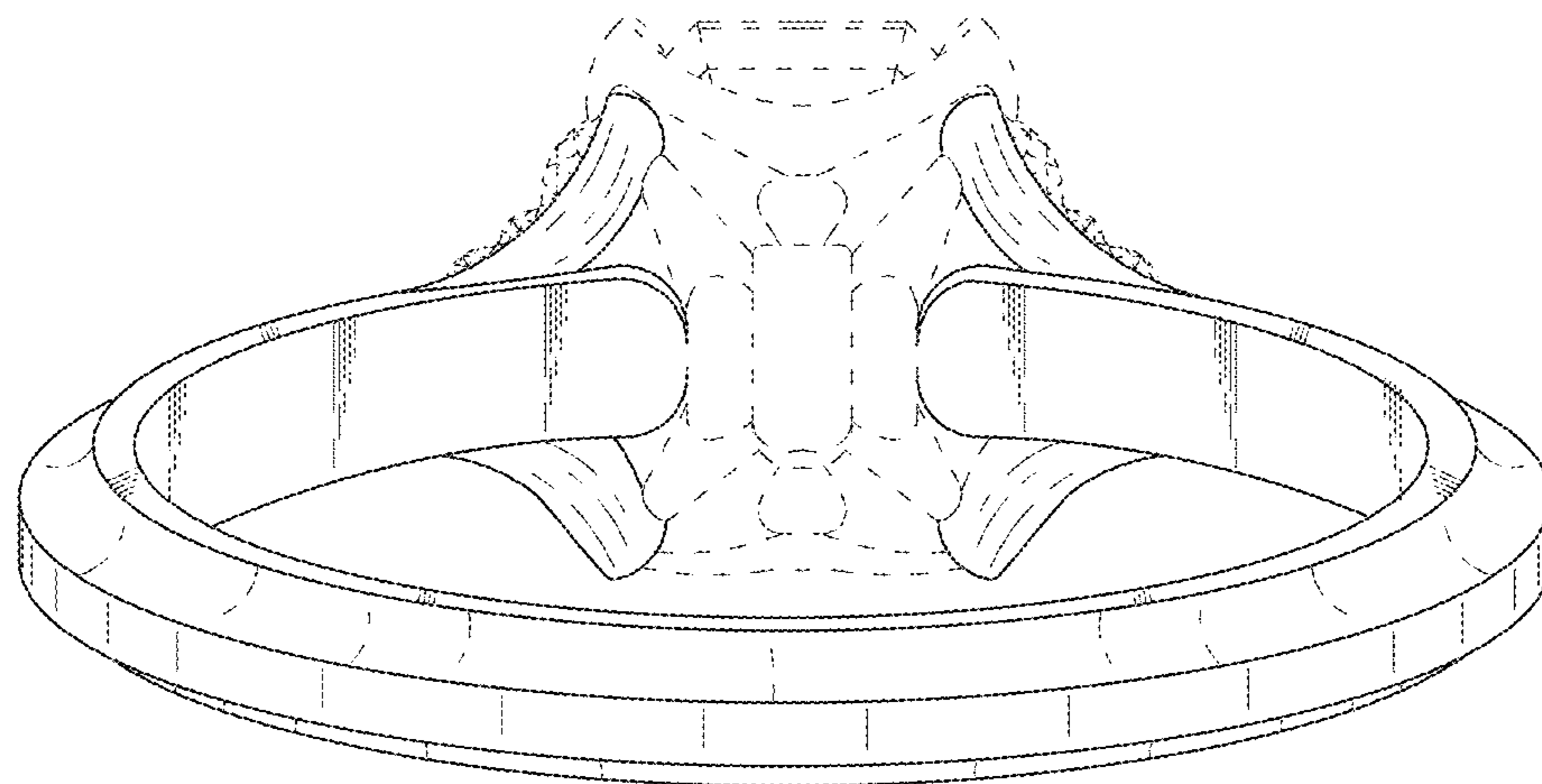


FIG. 2

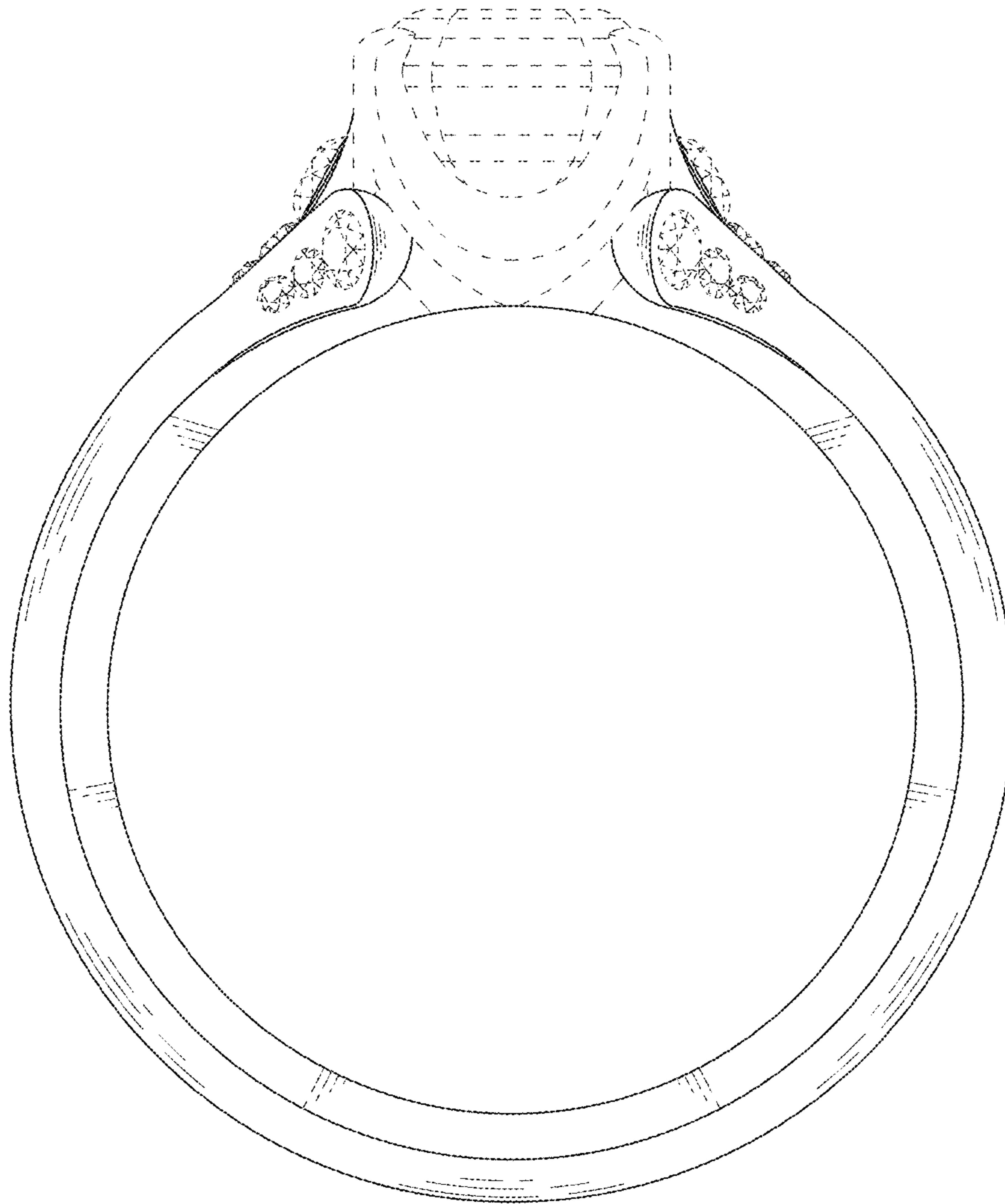


FIG. 3

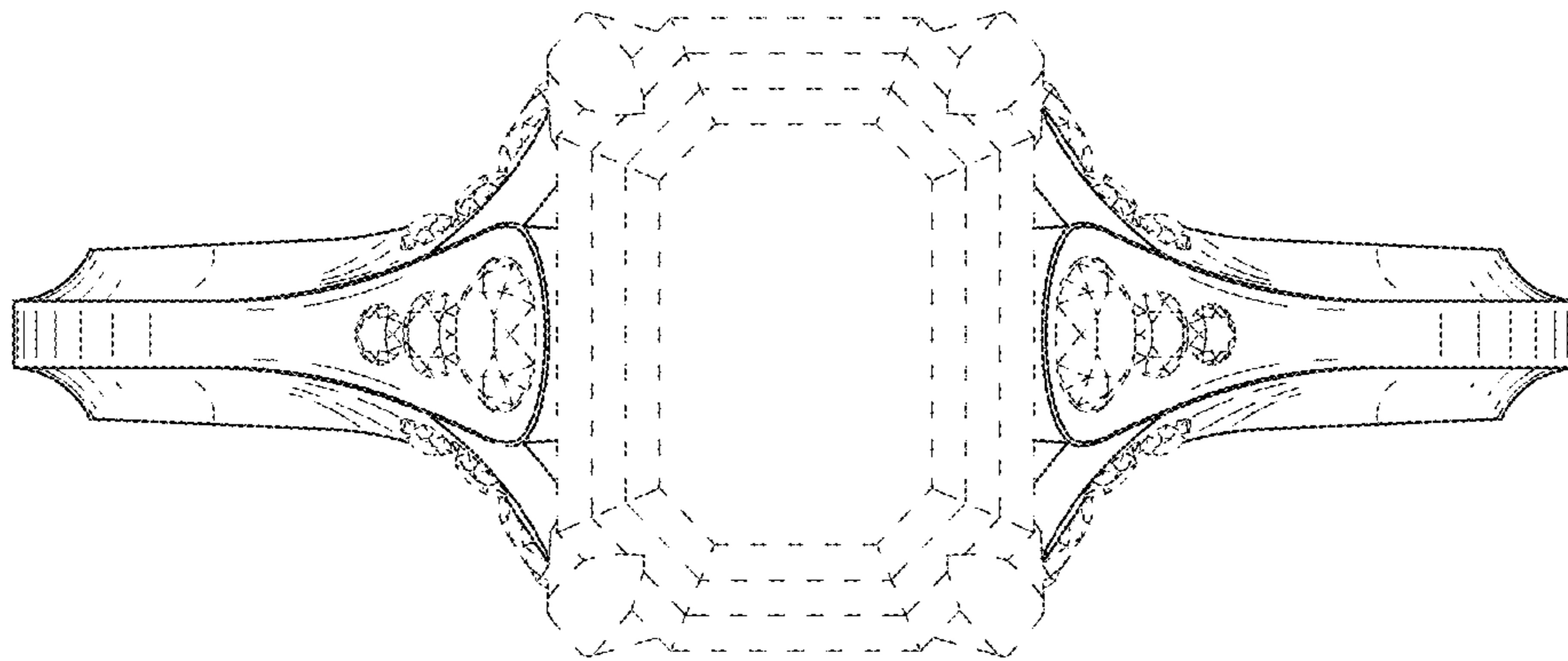


FIG. 4

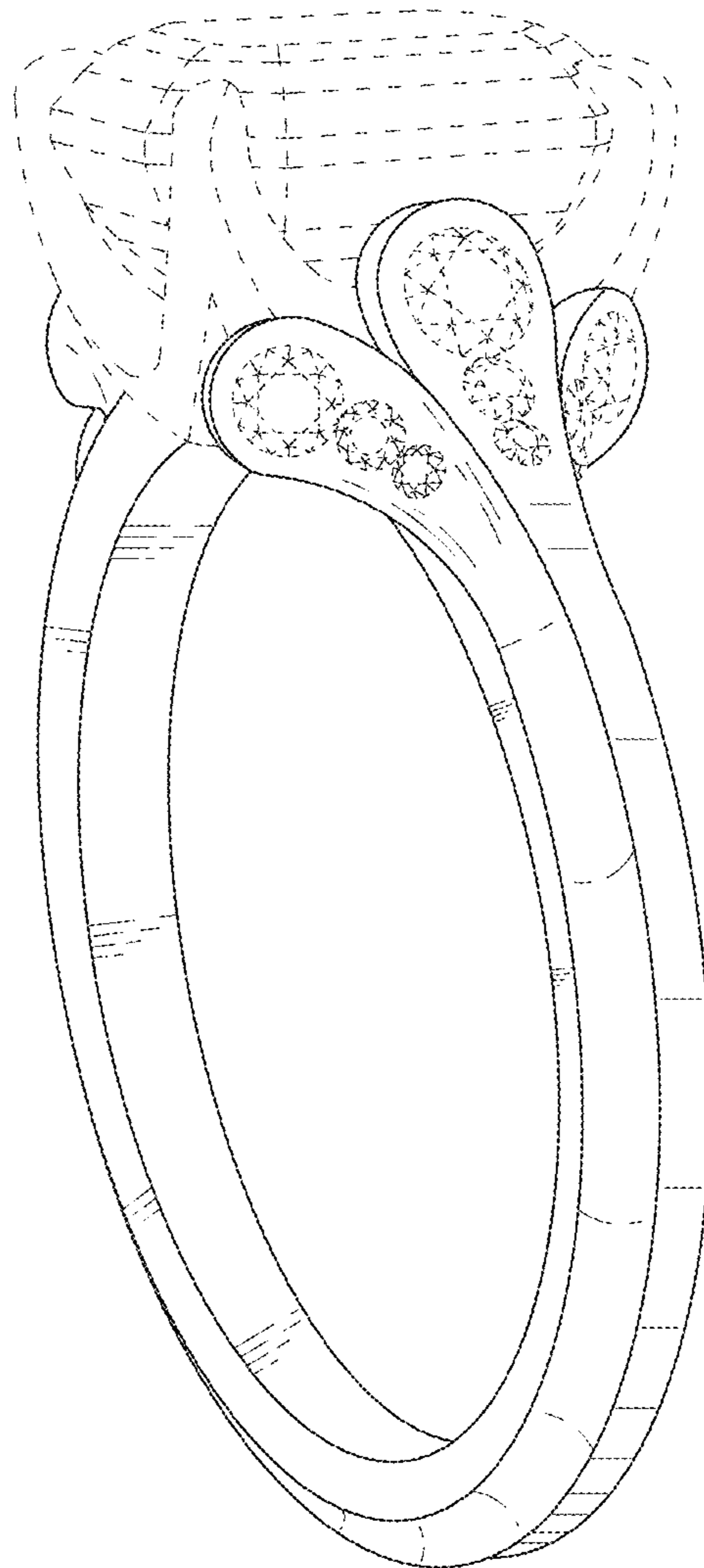


FIG. 5