



US00D834978S

(12) **United States Design Patent** (10) **Patent No.:** **US D834,978 S**
Kristensson et al. (45) **Date of Patent:** **** Dec. 4, 2018**

(54) **PARTS OF BURGLAR ALARM**
(71) Applicant: **SECURITAS DIRECT AB**, Malmö (SE)
(72) Inventors: **Daniel Kristensson**, Saxtorp (SE); **Henrik Mårtensson**, Lund (SE); **Kajsa Aspegren**, Falsterbo (SE); **Bayden Fileul**, Dublin (IE); **Eoin McNally**, Dublin (IE); **Ryan Helps**, Malmö (SE); **Kim McKenzie Doyle**, Carlow (IE); **Emmanuelle Choteau**, Lille (FR); **Diarmuid MacMahon**, Dublin (IE)

(**) Term: **15 Years**

(21) Appl. No.: **35/502,893**

(22) Filed: **Oct. 25, 2016**

(80) **Hague Agreement Data**

Int. Filing Date: **Oct. 25, 2016**
Int. Reg. No.: **DM/093169**
Int. Reg. Date: **Oct. 25, 2016**
Int. Reg. Pub. Date: **Apr. 28, 2017**

(51) **LOC (11) Cl.** **10-05**

(52) **U.S. Cl.**
USPC **D10/104.1**

(58) **Field of Classification Search**
USPC D10/104.1, 106.1, 106.95, 106.6, 50;
D14/204, 210, 209.1, 358, 214
See application file for complete search history.

(56) **References Cited**

U.S. PATENT DOCUMENTS

D449,244 S * 10/2001 Ginzel D10/106.6
D534,089 S * 12/2006 Disselkoen D10/50
D537,746 S * 3/2007 Kageyama D10/106.6
D559,718 S * 1/2008 Schaeken D10/106.1

D559,719 S * 1/2008 Schaeken D10/106.1
D632,600 S * 2/2011 Noguchi D10/106.6
D666,934 S * 9/2012 Krumpe D10/106.6
D680,013 S * 4/2013 Ikeda D10/106.6
D713,277 S * 9/2014 Hasegawa D10/106.6
D726,179 S * 4/2015 Orthey D14/358
D744,884 S * 12/2015 Roberts D10/104.1
D747,228 S * 1/2016 Fiedler D10/104.1
D757,586 S * 5/2016 Li D10/106.6
D777,050 S * 1/2017 Will D10/104.1
D778,185 S * 2/2017 Ookawa D10/104.1
D786,106 S * 5/2017 Yau D10/106.6
D788,603 S * 6/2017 Liu D10/102
D793,262 S * 8/2017 Geskin Zinovi D10/104.1
D793,888 S * 8/2017 Hasegawa D10/106.95
D796,364 S * 9/2017 Konotopskyi D10/106.1
D803,187 S * 11/2017 Gunnarsson D14/214
D805,941 S * 12/2017 Jou D10/106.6
D806,671 S * 1/2018 Kalyuzhny D14/204
D806,678 S * 1/2018 Reichert D14/209.1

(Continued)

FOREIGN PATENT DOCUMENTS

EM 000422308-0002 S 11/2005
EM 000442124-0001 S 1/2006
EM 001783051-0001 S 11/2010

(Continued)

Primary Examiner — George D. Kirschbaum

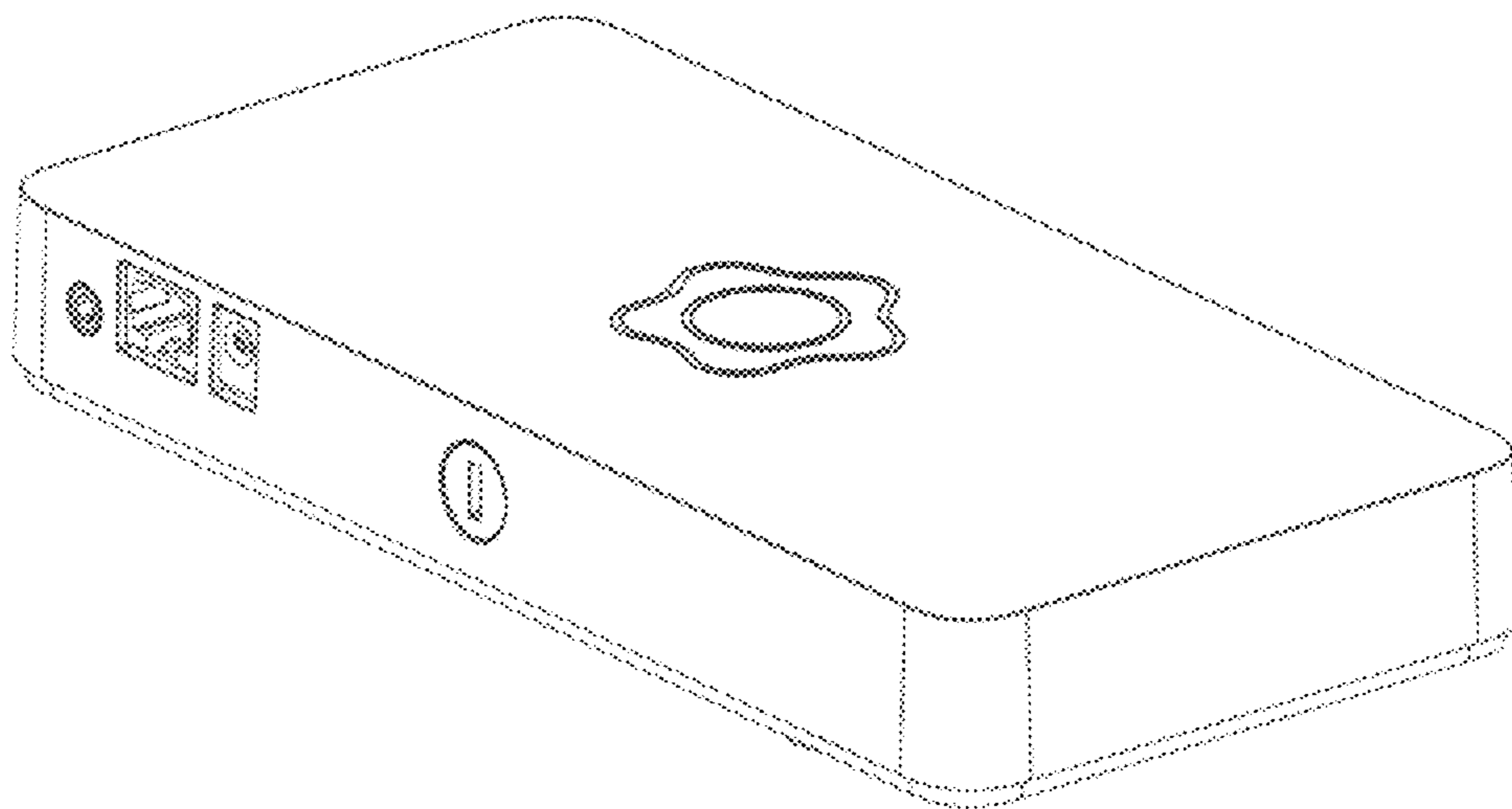
(57) **CLAIM**

The ornamental design for a parts of burglar alarm, as shown and described.

DESCRIPTION

3. Parts of burglar alarm
3.1 is a front perspective view.
3.2 is a front view.
3.3 is a rear view.
3.4 is a top view.
3.5 is a left side view.
3.6 is a right side view.

1 Claim, 6 Drawing Sheets



(56)

References Cited

U.S. PATENT DOCUMENTS

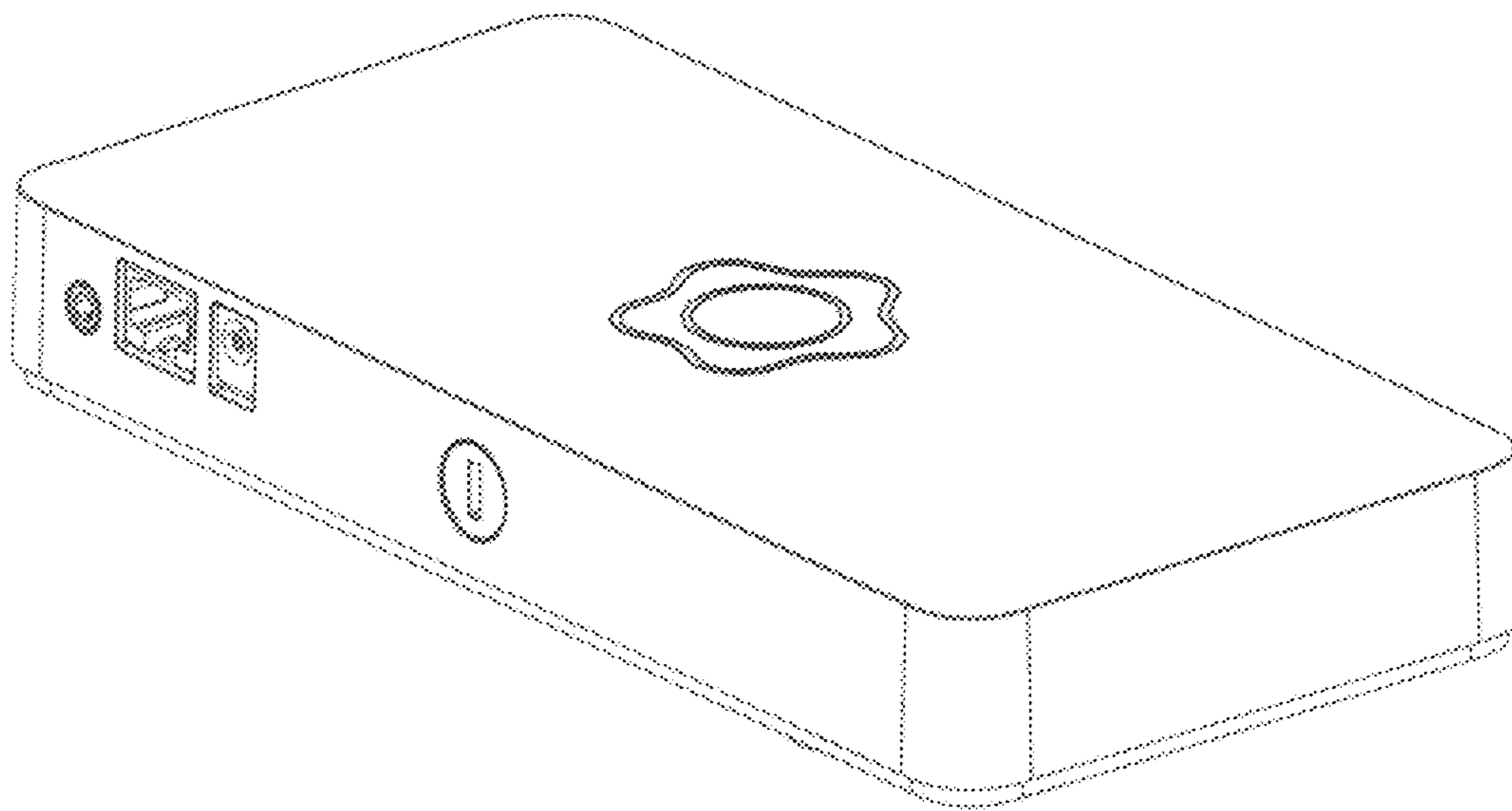
D807,320 S * 1/2018 Wong D14/204
D809,951 S * 2/2018 Yang D10/104.1

FOREIGN PATENT DOCUMENTS

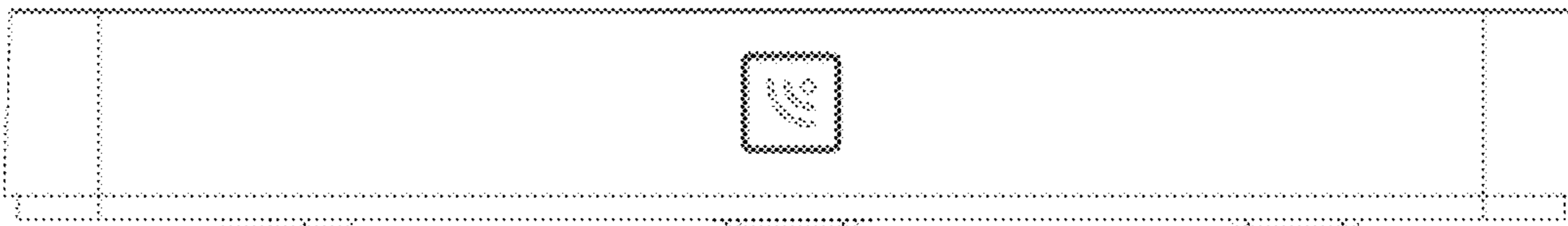
EM 001783051-0002 S 11/2010
EM 001783051-0004 S 11/2010
EM 001783051-0005 S 11/2010
EM 001783051-0006 S 11/2010
FR 006594 S 11/2000
NO 079807 S 4/2006
NO 080069 S 5/2006

* cited by examiner

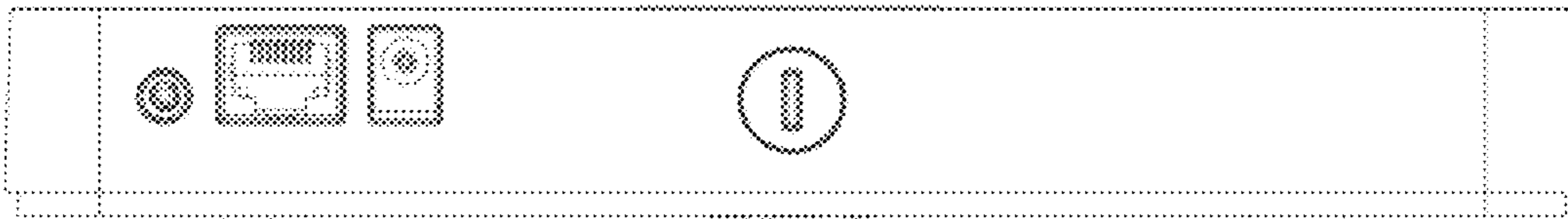
3.1



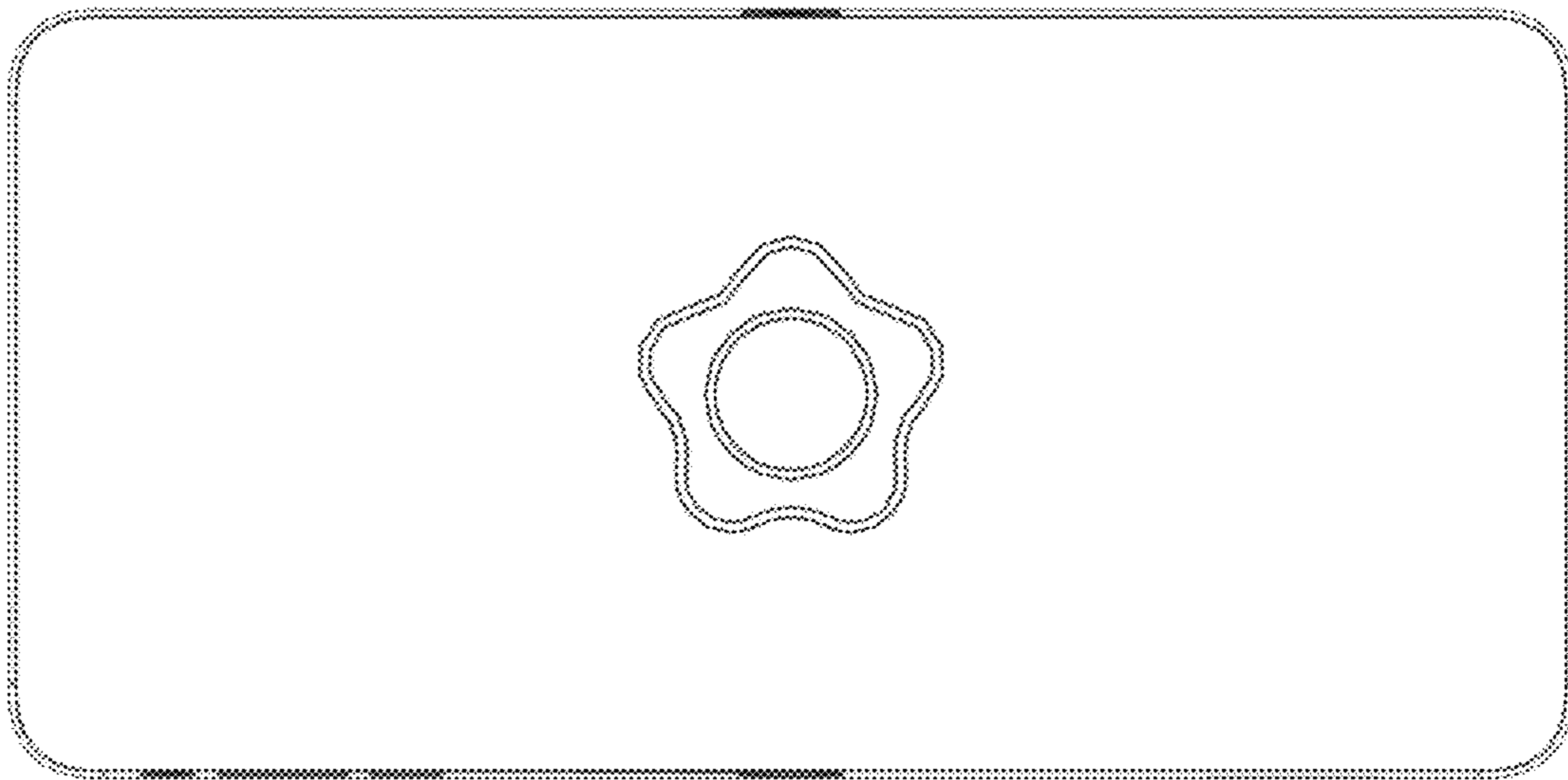
3.2



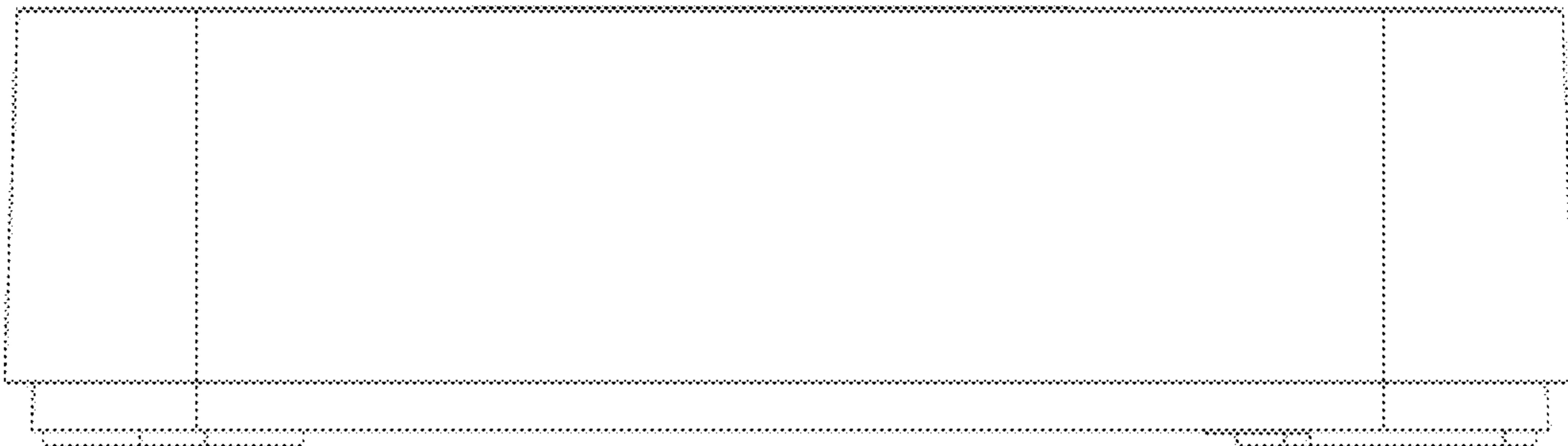
3.3



3.4



3.5



3.6

