



US00D834976S

(12) **United States Design Patent**
Cooper et al.

(10) **Patent No.: US D834,976 S**

(45) **Date of Patent: ** Dec. 4, 2018**

(54) **DUAL-MOUNT OIL SIGHT GLASS**

(71) Applicant: **Des-Case Corporation**, Goodlettsville, TN (US)

(72) Inventors: **Jay Michael Cooper**, Goodlettsville, TN (US); **Eric Cooper Pride**, Nashville, TN (US); **Matthew L. Michel**, Mt. Juliet, TN (US); **Derek C. Keith**, Portland, TN (US); **Nikhil Rajkumar Gaikwad**, Goodlettsville, TN (US)

(73) Assignee: **Des-Case Corporation**, Goodlettsville, TN (US)

(**) Term: **15 Years**

(21) Appl. No.: **29/585,894**

(22) Filed: **Nov. 29, 2016**

(51) **LOC (11) Cl.** **10-04**

(52) **U.S. Cl.**
USPC **D10/96; D15/150**

(58) **Field of Classification Search**
USPC D10/96, 99, 101, 102; D15/150;
D23/237; D24/110.6, 117, 120, 129, 137;
D7/397

(Continued)

(56) **References Cited**

U.S. PATENT DOCUMENTS

D385,951 S * 11/1997 Szymanski D23/237
D402,220 S * 12/1998 Clifton D10/96

(Continued)

FOREIGN PATENT DOCUMENTS

CA 2849965 A1 * 4/2013 G01F 23/02

OTHER PUBLICATIONS

Oil Sight Glasses, posted on descase.co.uk, no posted date given, no production date given, [online], [site visited Oct. 28, 2017], Available from Internet, URL: <http://www.descase.co.uk/visual-oil-sight-glasses.php> (Year: 2017).*

(Continued)

Primary Examiner — Melanie H Tung

Assistant Examiner — Fritzgerald L Butac

(74) *Attorney, Agent, or Firm* — Ryan D. Levy; Patterson Intellectual Property Law, P.C.

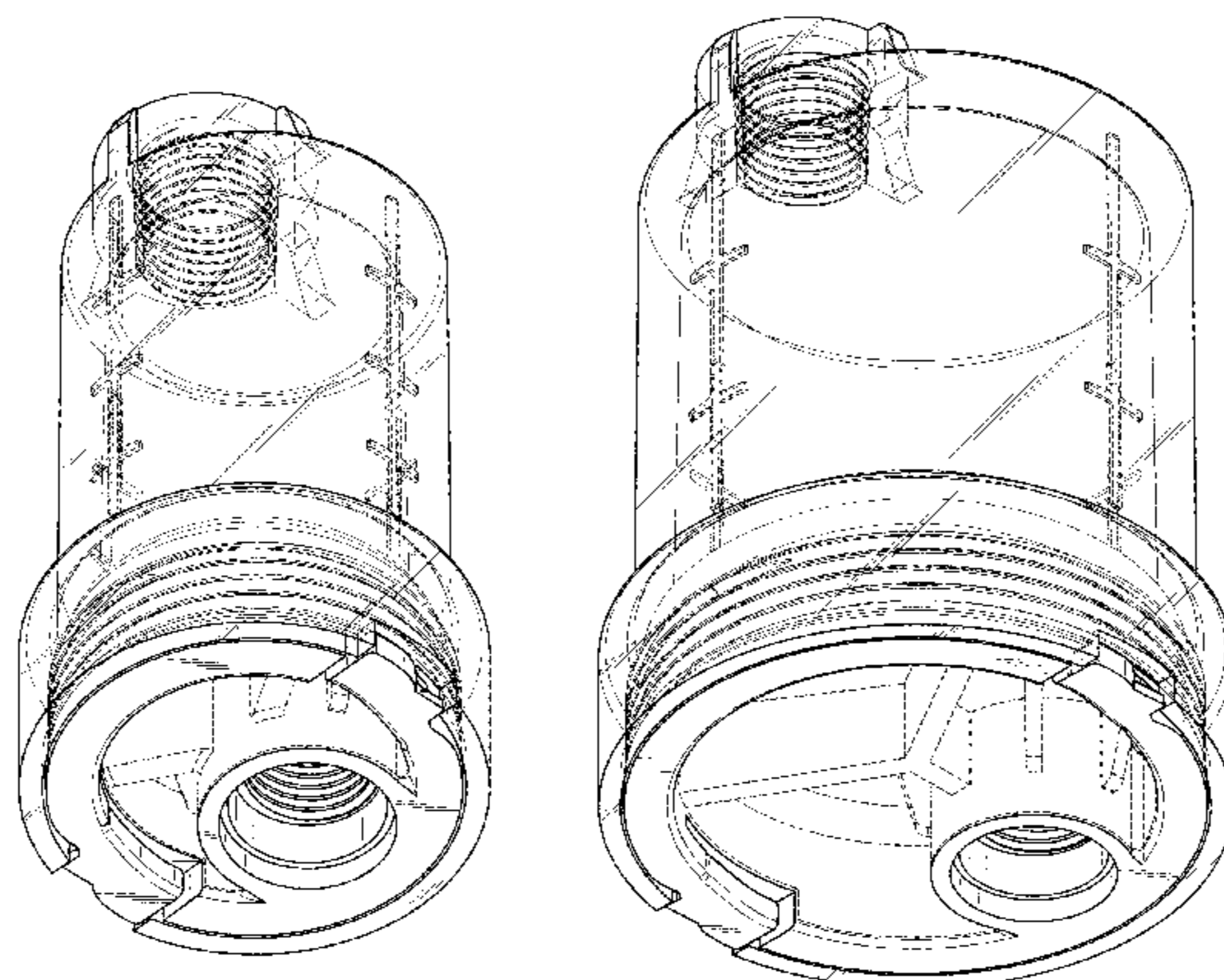
(57) **CLAIM**

The ornamental design for a dual-mount oil sight, as shown and described.

DESCRIPTION

FIG. 1 is a bottom perspective view of a first embodiment of the dual-mount oil sight glass of Applicants' invention. FIG. 2 is a top perspective view of a first embodiment of the dual-mount oil sight glass of Applicants' invention. FIG. 3 is a side view of a first embodiment of the dual-mount oil sight glass of Applicants' invention. FIG. 4 is another side view of a first embodiment of the dual-mount oil sight glass of Applicants' invention. FIG. 5 is another side view of a first embodiment of the dual-mount oil sight of Applicants' invention. FIG. 6 is another side view of a first embodiment of the dual-mount oil sight of Applicants' invention. FIG. 7 is a top view of a first embodiment of the dual-mount oil sight of Applicants' invention. FIG. 8 is a bottom view of a first embodiment of the dual-mount oil sight of Applicants' invention. FIG. 9 is a bottom perspective view of a second embodiment of the dual-mount oil sight glass of Applicants' invention. FIG. 10 is a top perspective view of a second embodiment of the dual-mount oil sight glass of Applicants' invention. FIG. 11 is a side view of a second embodiment of the dual-mount oil sight glass of Applicants' invention. FIG. 12 is another side view of a second embodiment of the dual-mount oil sight glass of Applicants' invention. FIG. 13 is another side view of a second embodiment of the dual-mount oil sight of Applicants' invention. FIG. 14 is another side view of a second embodiment of the dual-mount oil sight of Applicants' invention. FIG. 15 is a bottom view of a second embodiment of the dual-mount oil sight of Applicants' invention; and, FIG. 16 is a top view of a second embodiment of the dual-mount oil sight of Applicants' invention.

(Continued)



The broken lines depict portions of the dual-mount oil sight glass that form no part of the claimed design.

D712,766 S * 9/2014 Matusik D10/96
D712,767 S * 9/2014 Matusik D10/96
D796,257 S * 9/2017 Levy D7/300

1 Claim, 15 Drawing Sheets

(58) **Field of Classification Search**
CPC B67D 7/565; G01F 23/56; Y10T 137/7287
See application file for complete search history.

(56) **References Cited**

U.S. PATENT DOCUMENTS

6,082,972 A * 7/2000 Moore, Jr. G01F 23/02
417/53
D689,108 S * 9/2013 Kile D15/150
D703,558 S * 4/2014 Matusik D10/96
D703,559 S * 4/2014 Matusik D10/96
D703,560 S * 4/2014 Matusik D10/96
D703,561 S * 4/2014 Matusik D10/96
D708,080 S * 7/2014 Matusik D10/96

OTHER PUBLICATIONS

Horizontal Oil Sight Glass, posted on cleanlubesolutions.au, no posted date given, no production date given, [online], [site visited Oct. 28, 2017], Available from Internet, URL: <http://www.cleanlubesolutions.com.au/products/oil-inspection-sight-glasses/> (Year: 2017).*

DES-CASE, posted on neilson-hydraulics.co.uk, no posted date given, no production date given, [online], [site visited Oct. 28, 2017], Available from Internet, URL: <http://www.neilson-hydraulics.co.uk/store/des-case-breathers/des-case-visual-oil-analysis-products/des-case-oil-sight-glasses-original-sol> (Year: 2017).*

Continuous Fluid Monitoring, posted on lelubricants.com, no posted date given, no production date given, [online], [site visited Oct. 28, 2017], Available from Internet, URL: <http://www.lelubricants.com/sight-glasses.html> (Year: 2017).*

* cited by examiner

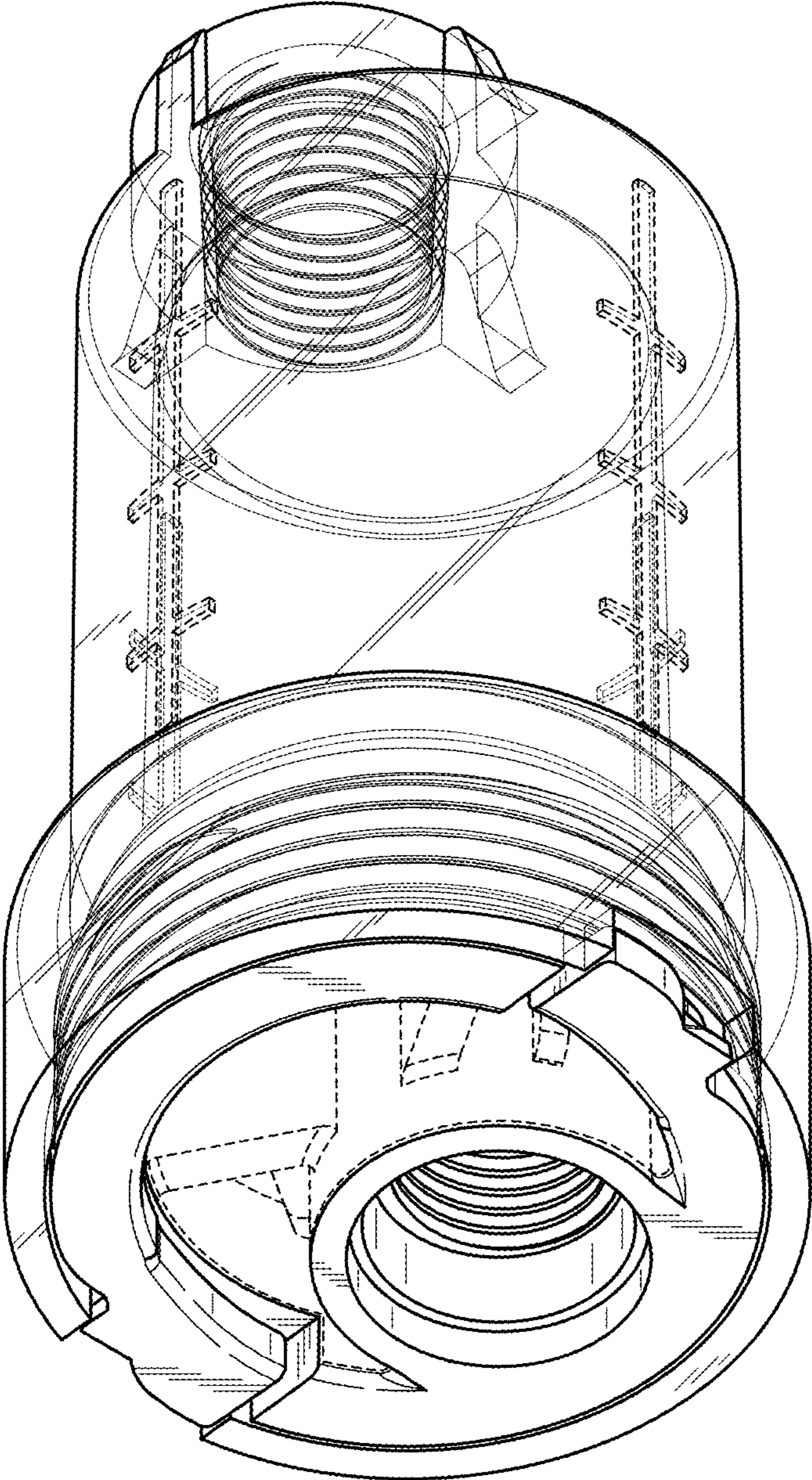


FIG. 1

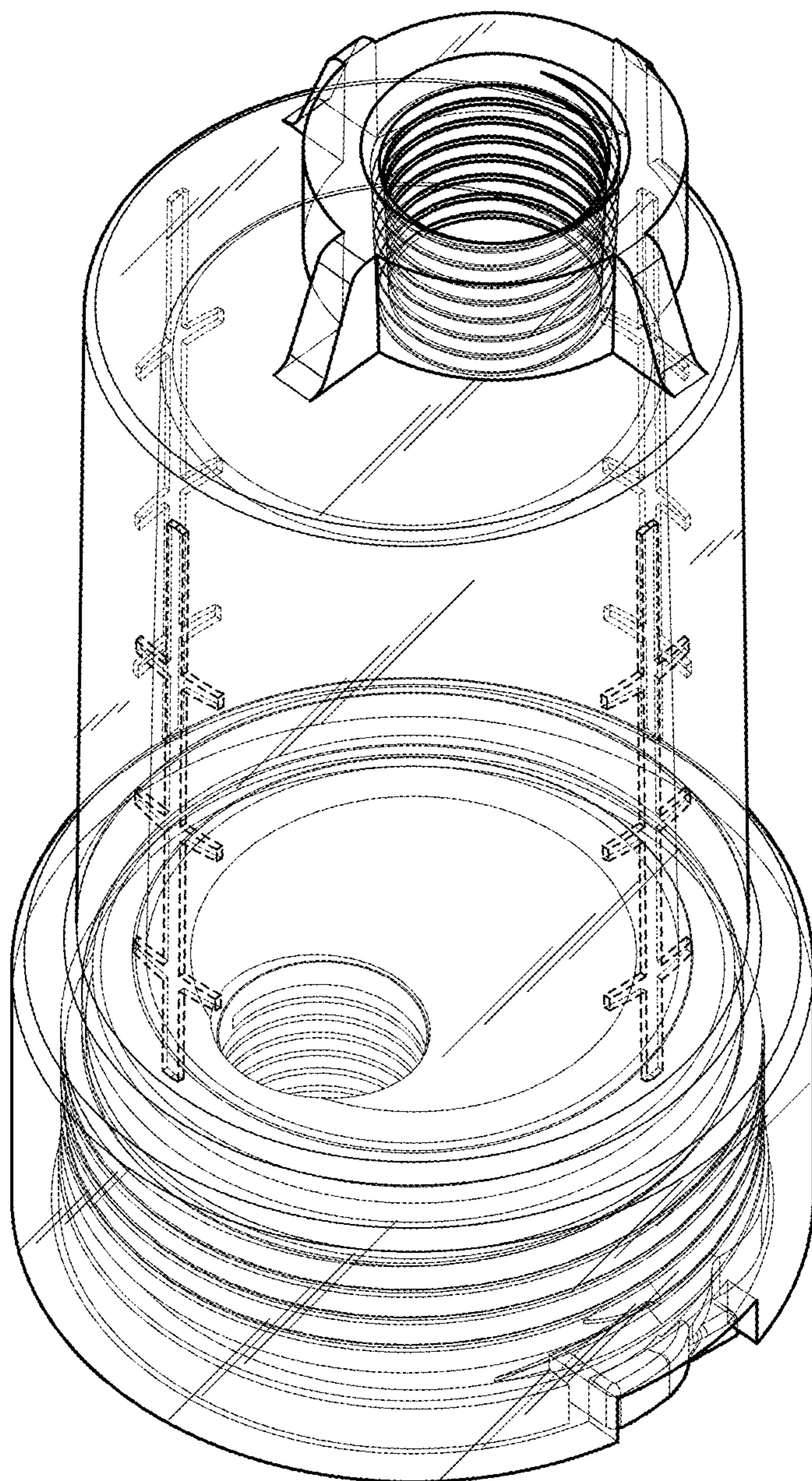


FIG. 2

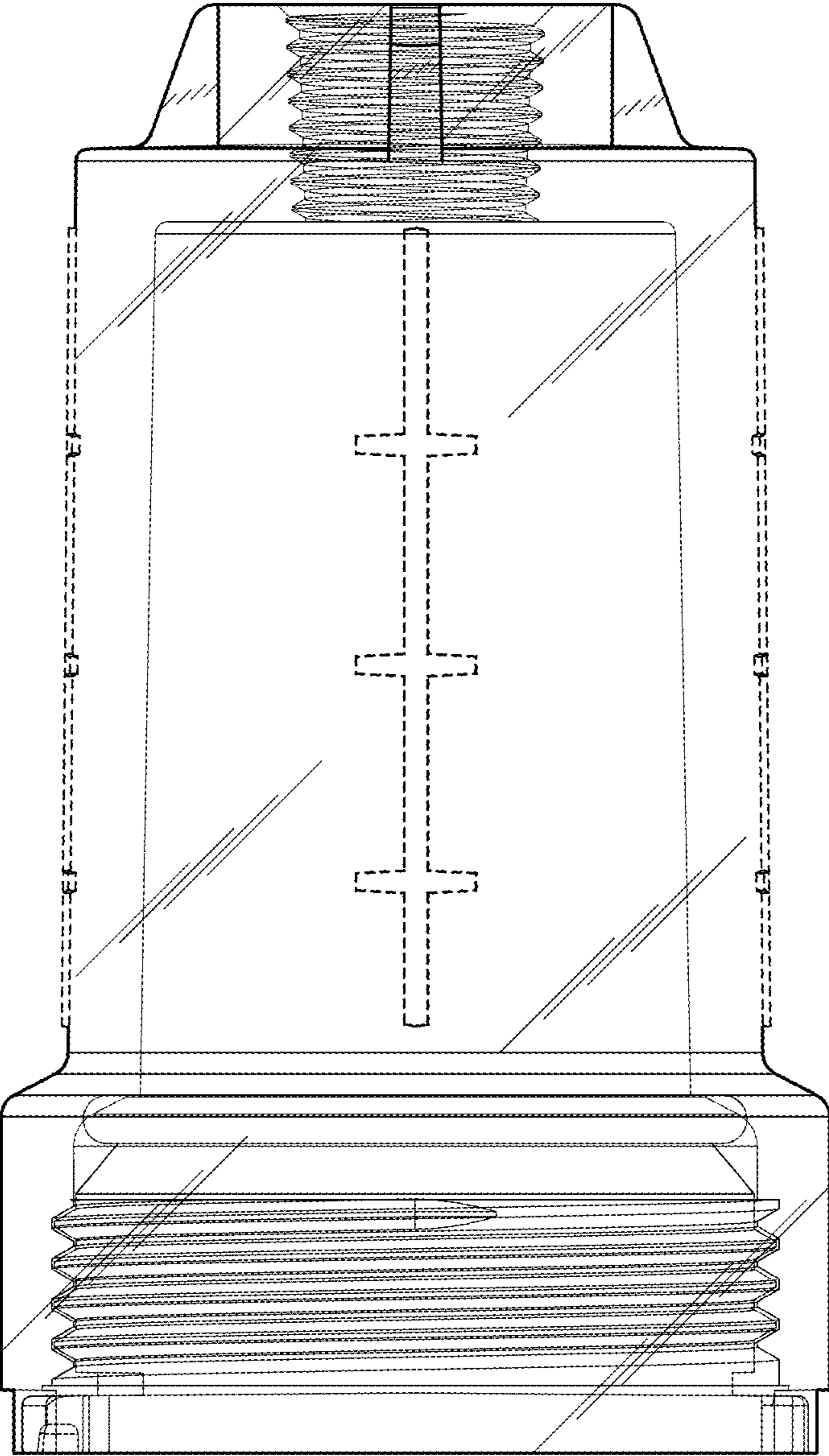


FIG. 3

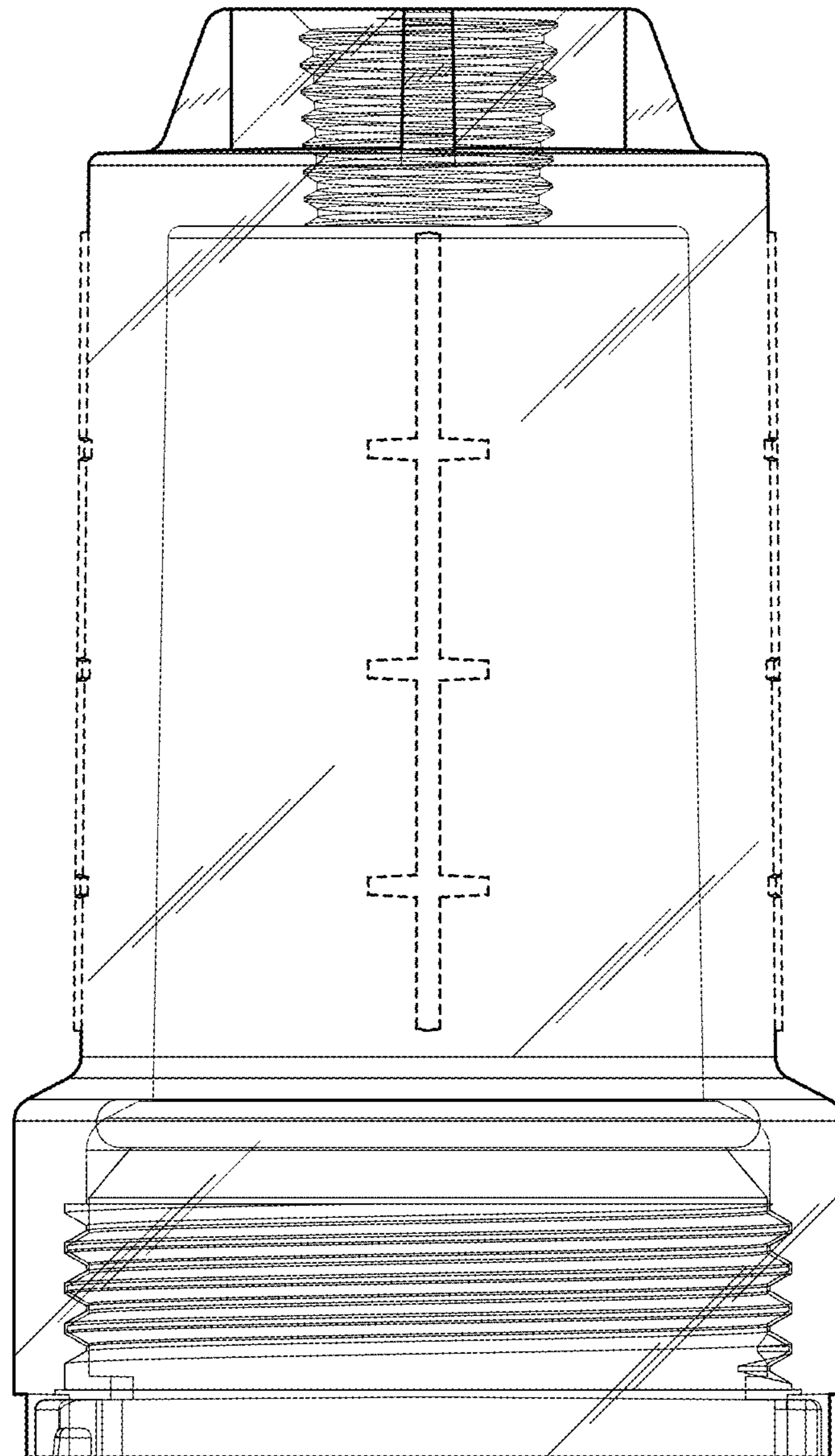


FIG. 4

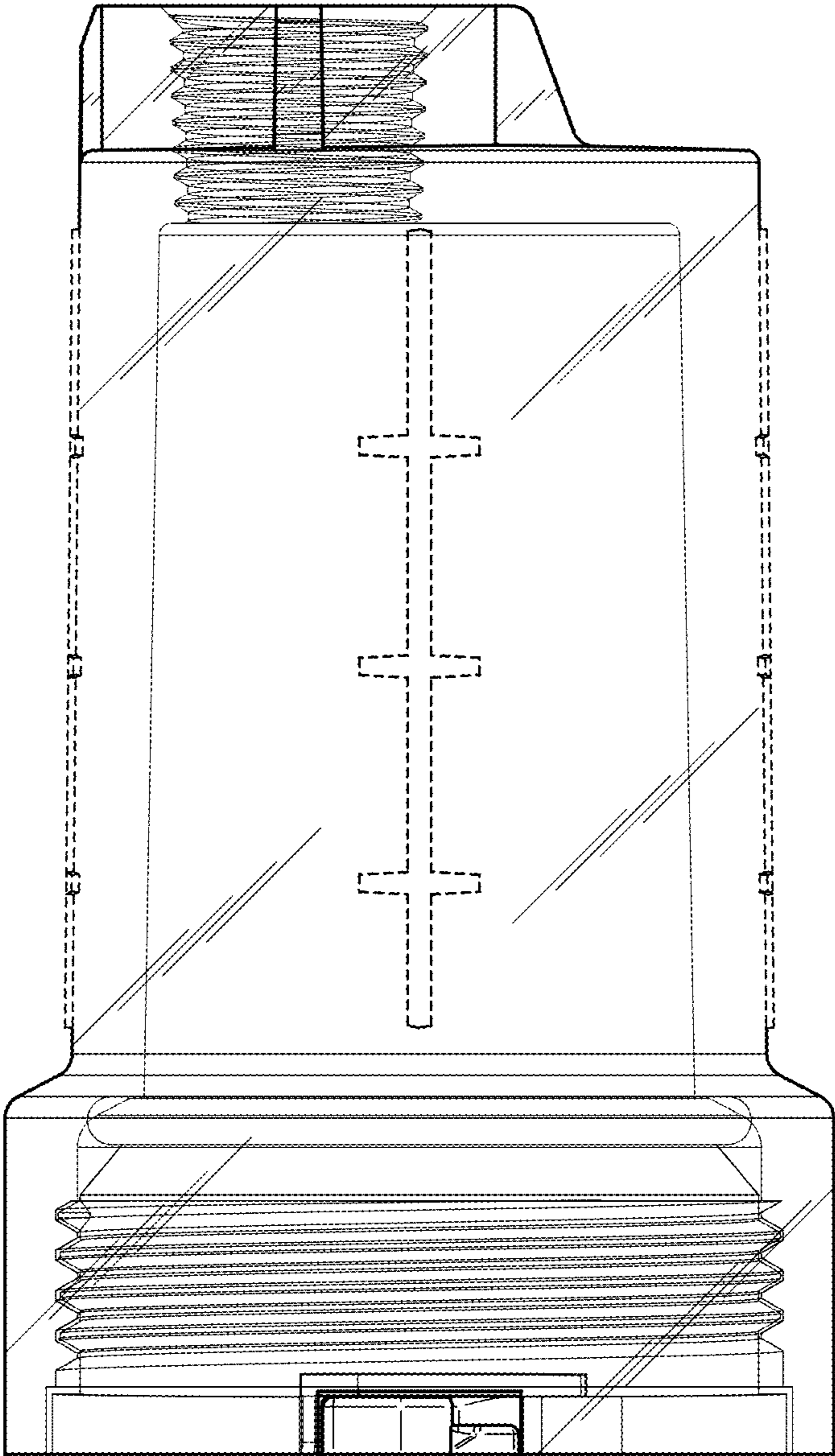


FIG. 5

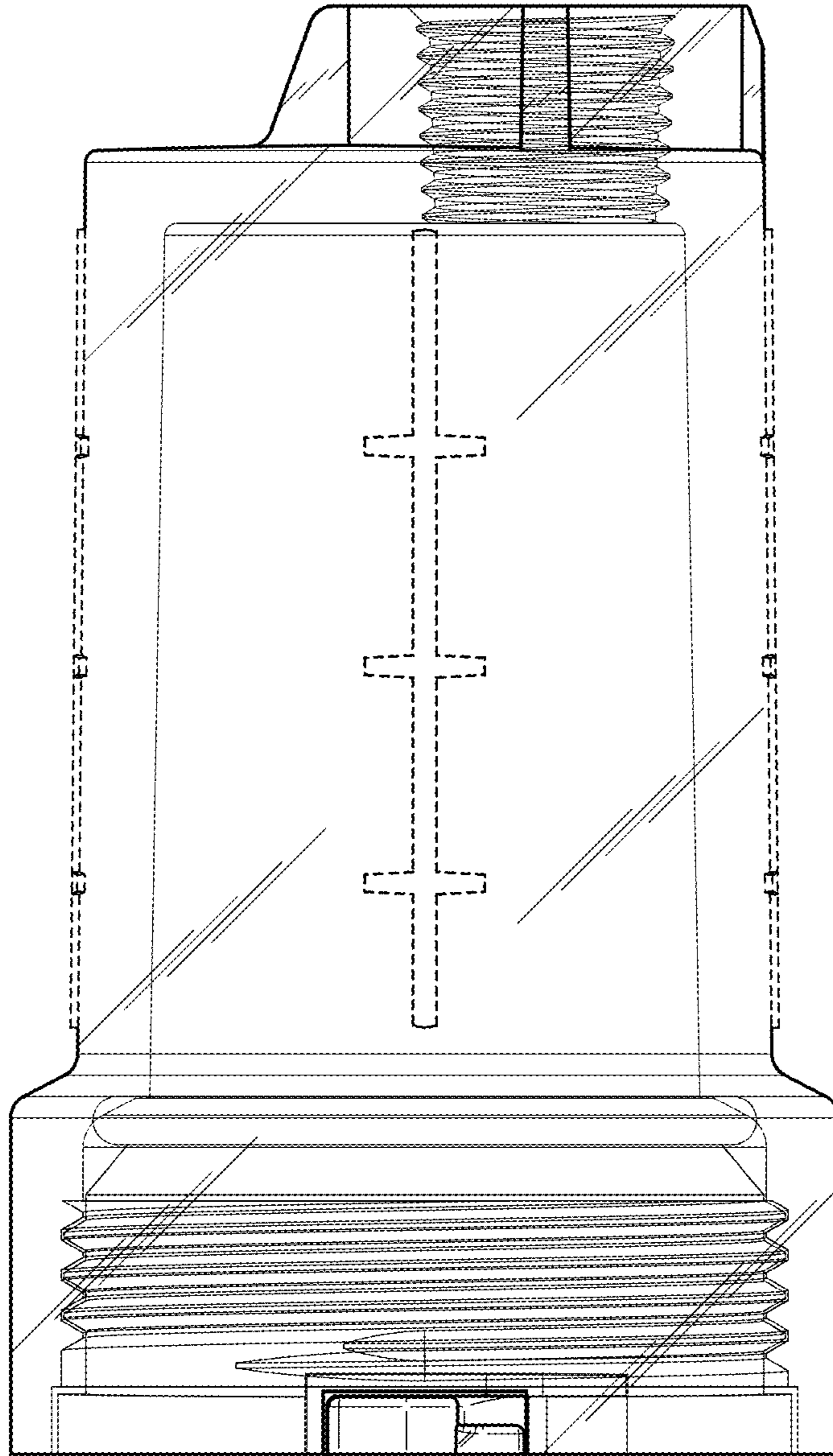


FIG. 6

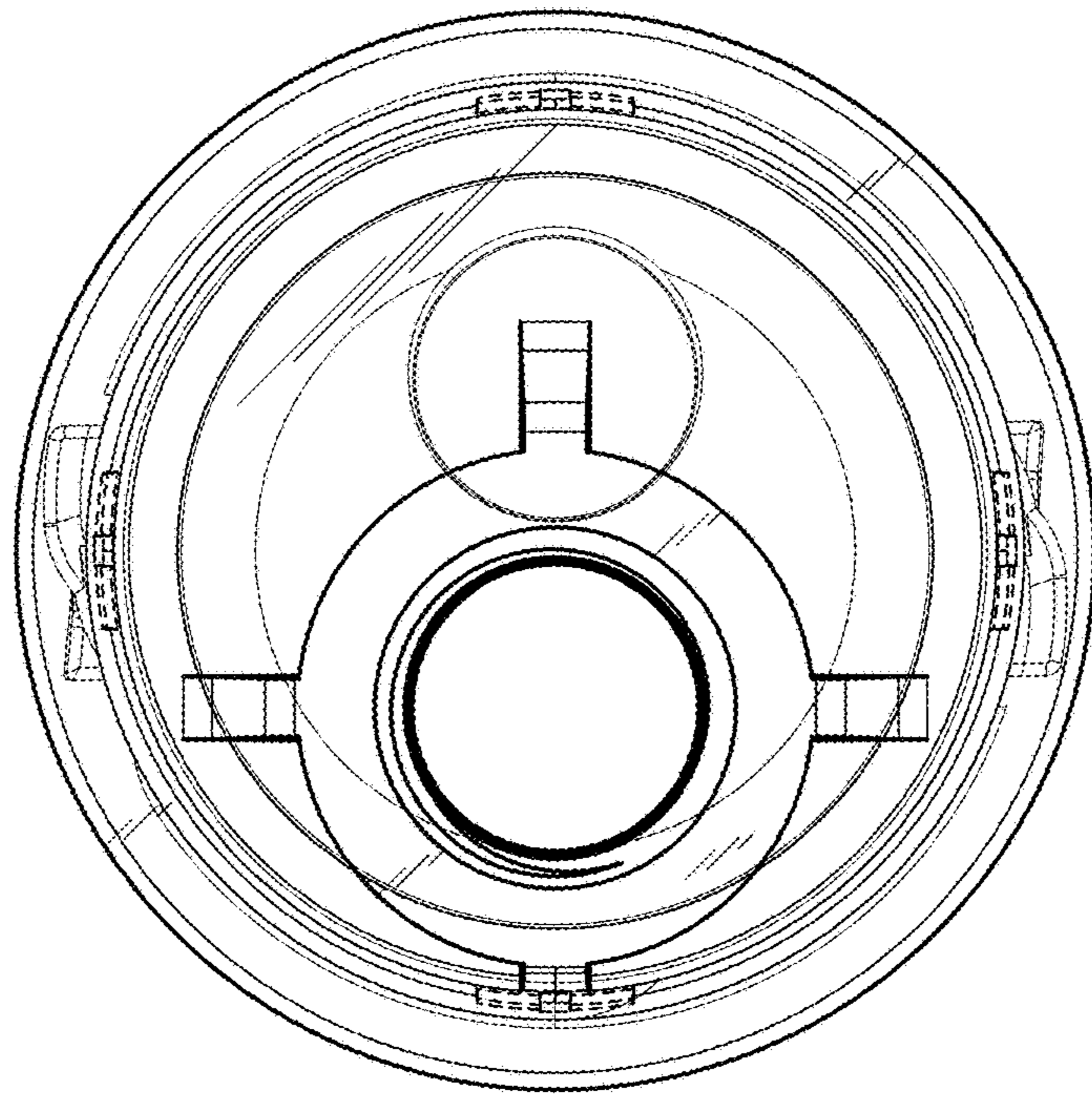


FIG. 7

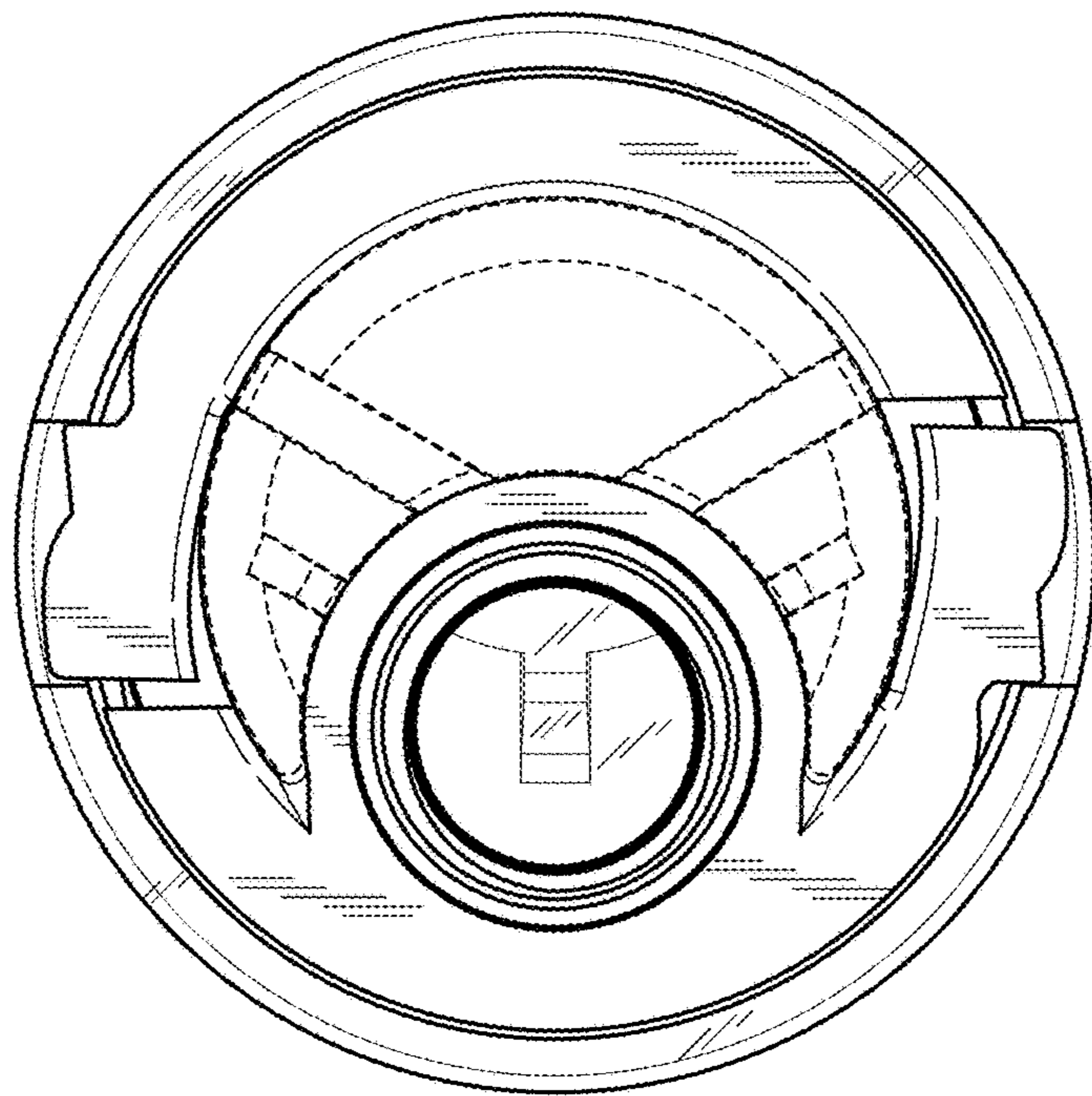


FIG. 8

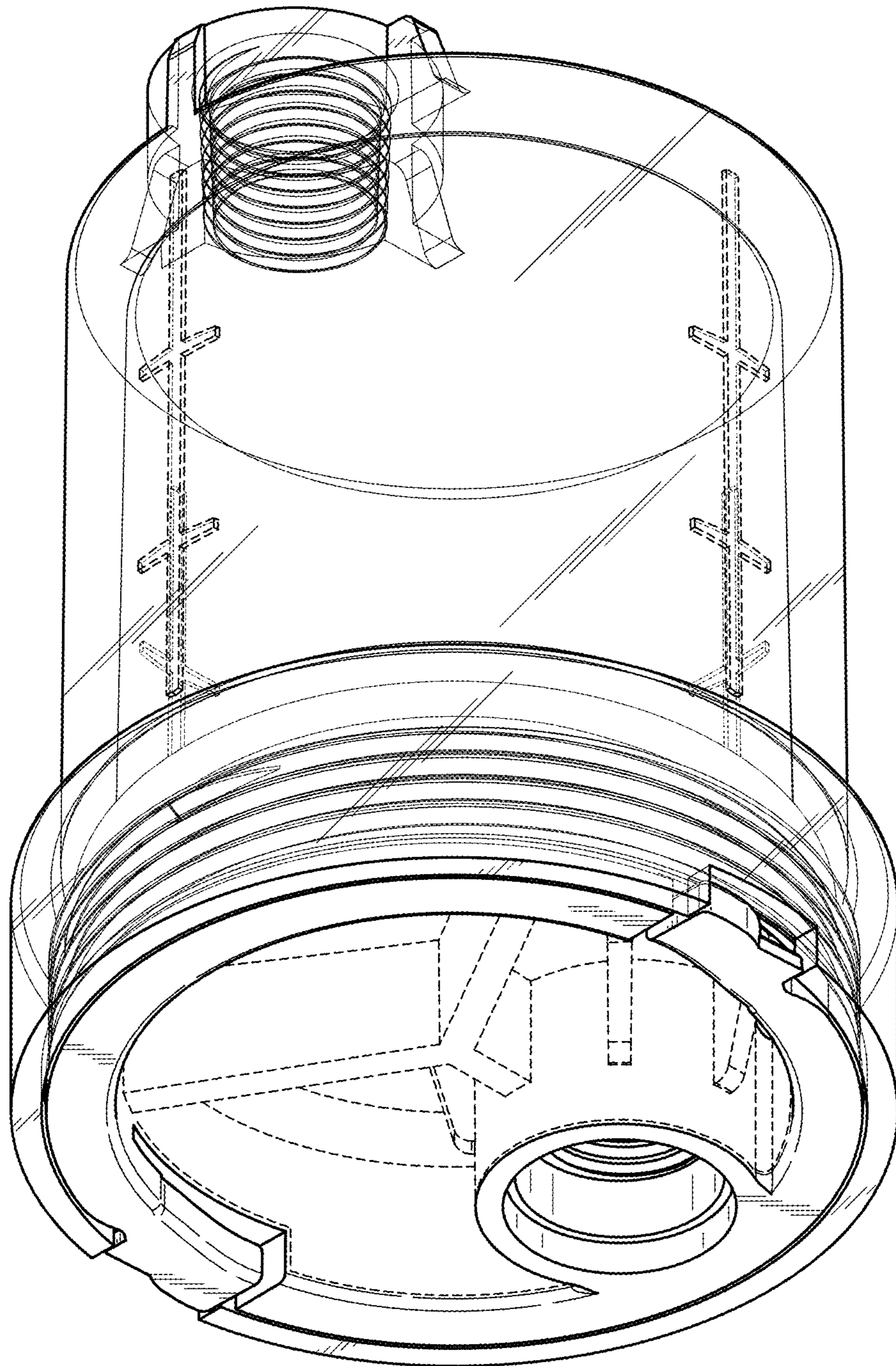


FIG. 9

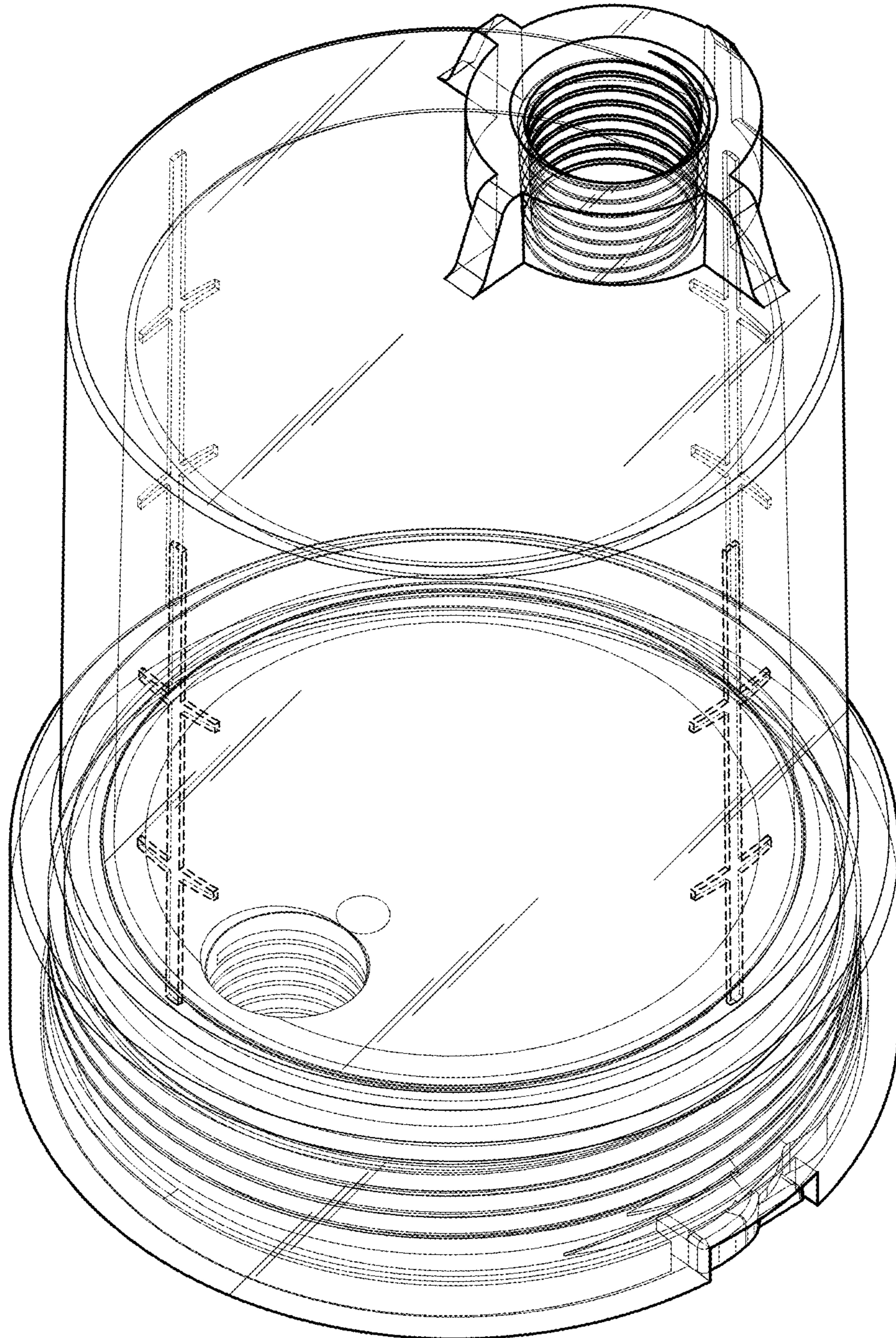


FIG. 10

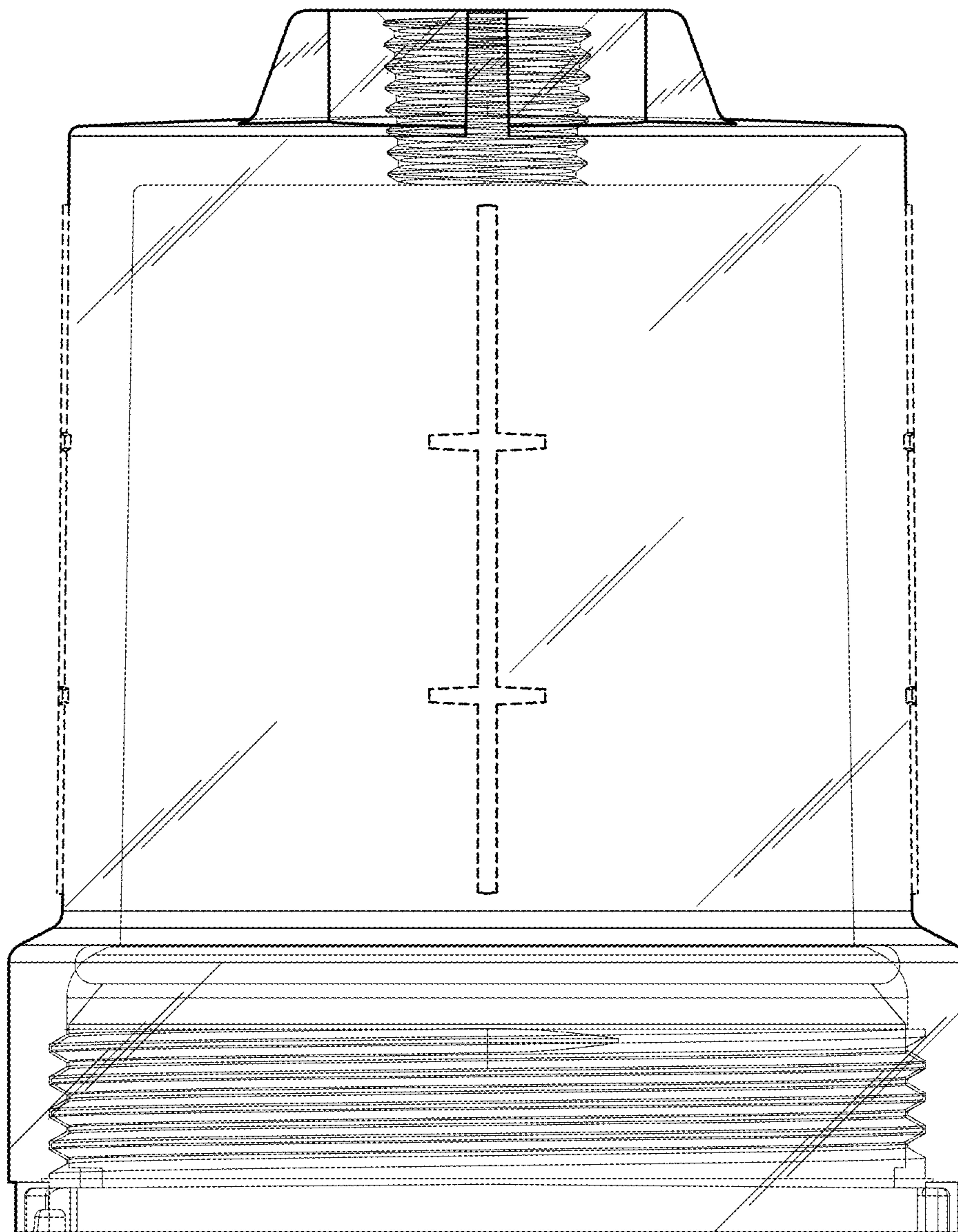


FIG. 11

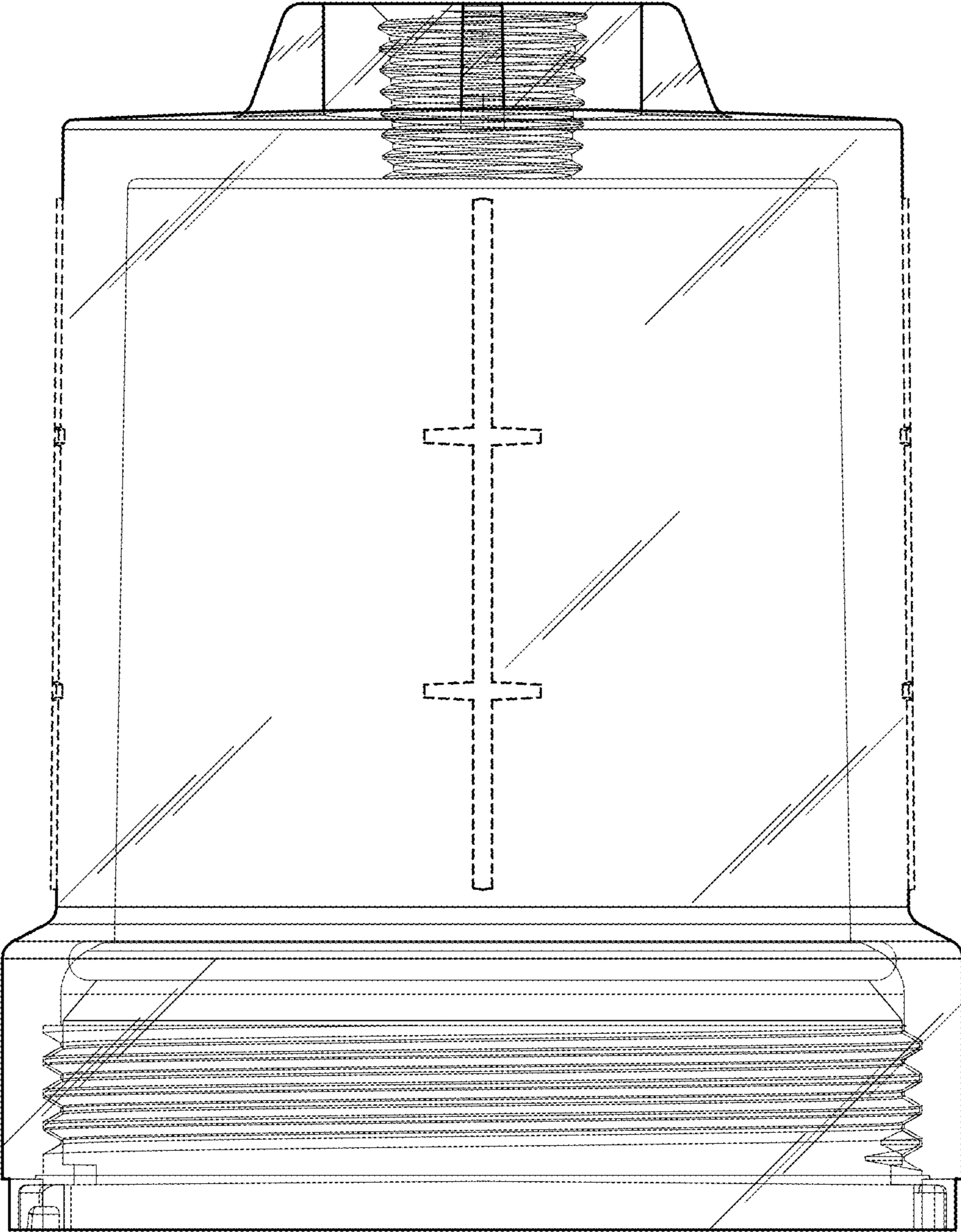


FIG. 12

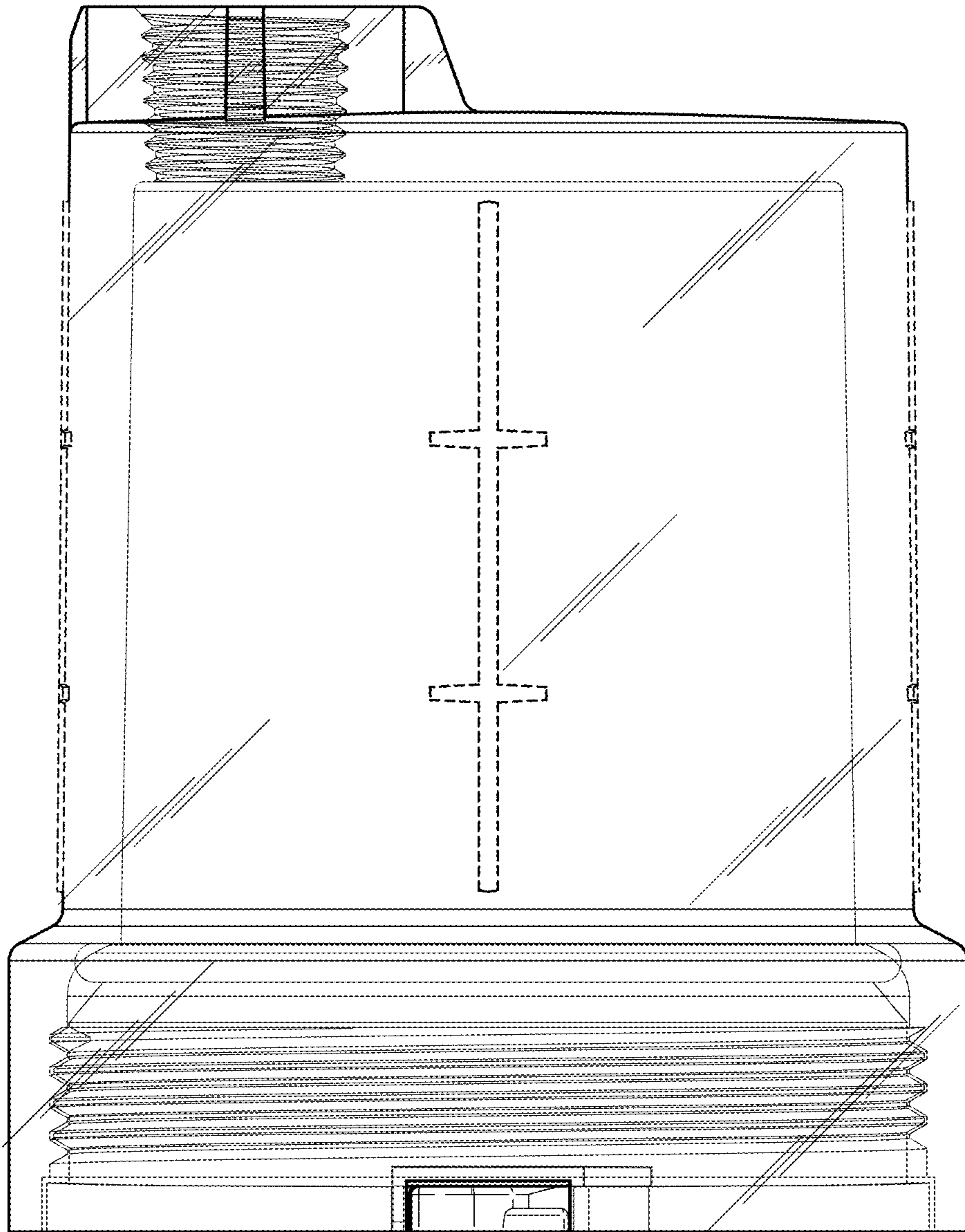


FIG. 13

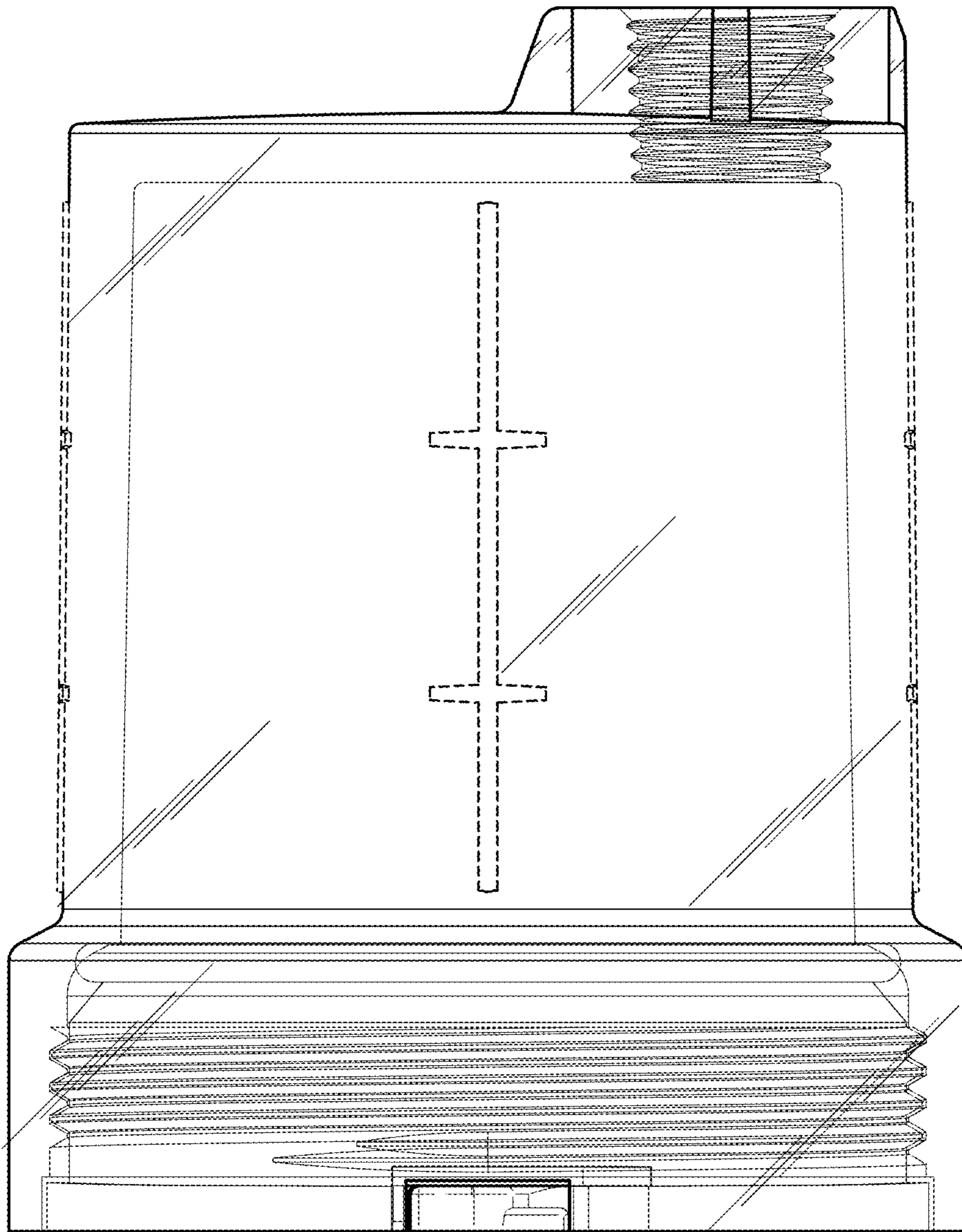


FIG. 14

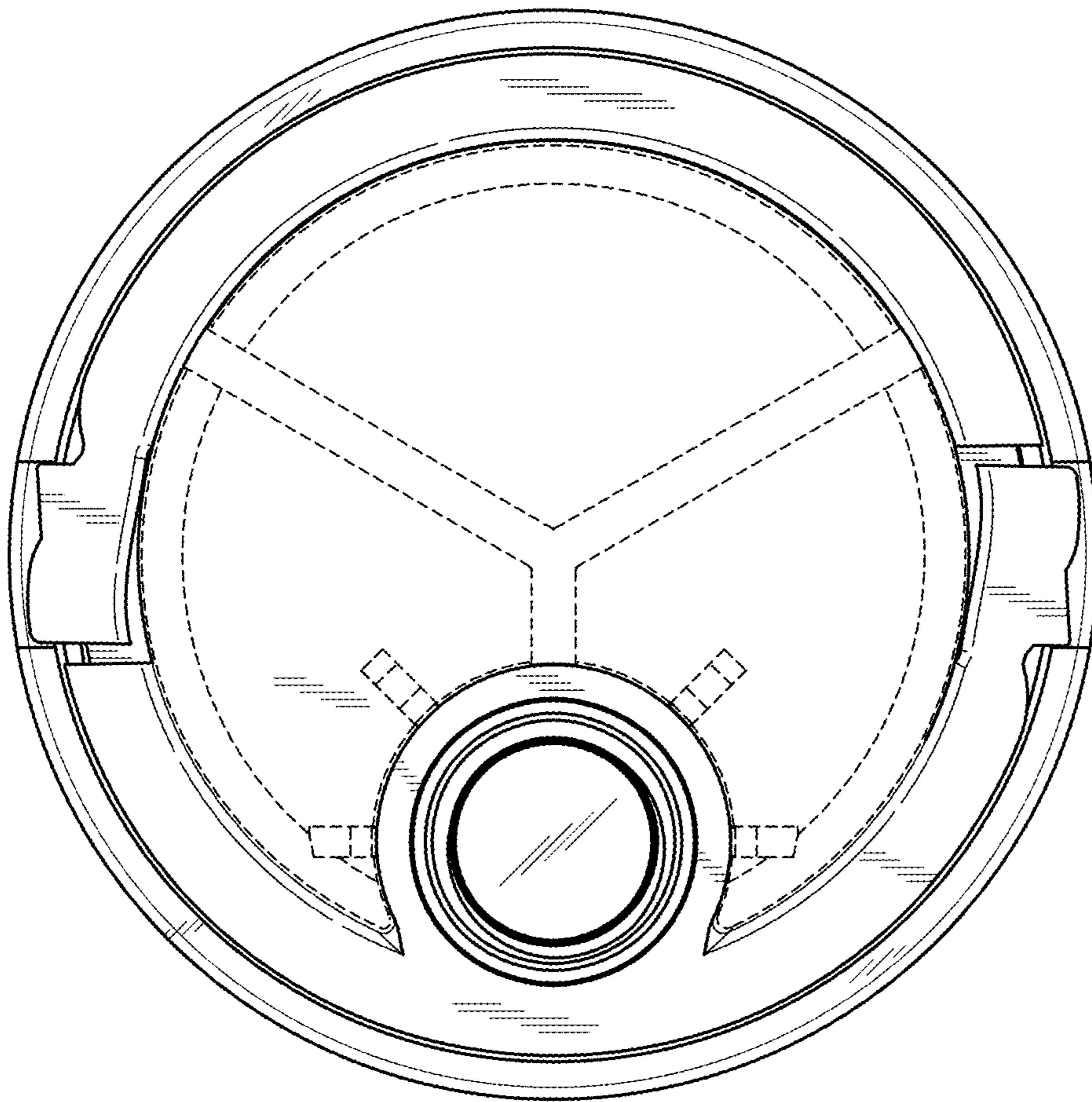


FIG. 15

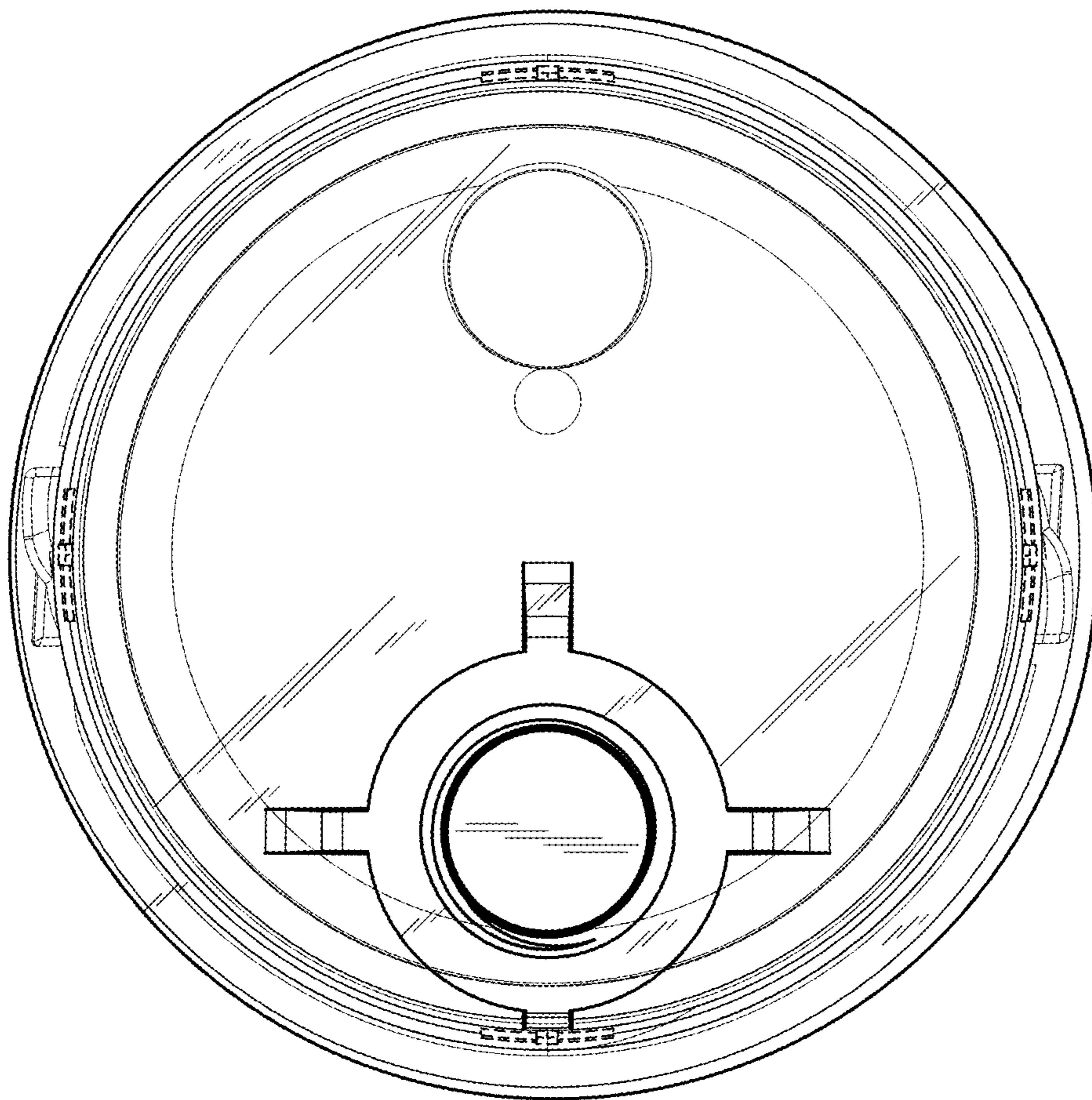


FIG. 16