



US00D834974S

(12) **United States Design Patent**
Nothacker et al.

(10) **Patent No.:** **US D834,974 S**

(45) **Date of Patent:** **** Dec. 4, 2018**

(54) **BREATHALYZER**

(71) Applicant: **KHN Solutions, Inc.**, San Francisco, CA (US)

(72) Inventors: **Keith Harry Nothacker**, San Francisco, CA (US); **Imraan Aziz**, San Francisco, CA (US); **Will Tammen**, San Francisco, CA (US)

(73) Assignee: **KHN Solutions, Inc.**, San Francisco, CA (US)

(**) Term: **15 Years**

(21) Appl. No.: **29/609,548**

(22) Filed: **Jun. 30, 2017**

(51) **LOC (11) Cl.** **10-04**

(52) **U.S. Cl.**

USPC **D10/81**

(58) **Field of Classification Search**

USPC D10/78, 81

CPC A61B 5/083; A61B 5/087; A61B 5/0833;

A61B 5/091; A61B 5/222; A61B 5/0002;

A61B 5/02438; A61B 5/08; G01N

33/497; G01N 33/4972; G01N 33/483;

G01N 33/98; G10L 17/00; Y10S 436/90

See application file for complete search history.

(56) **References Cited**

U.S. PATENT DOCUMENTS

D705,100 S * 5/2014 Nothacker D10/81

D710,223 S * 8/2014 Nothacker D10/78

D724,980 S * 3/2015 Nothacker D10/81

* cited by examiner

Primary Examiner — Antoine Duval Davis

(74) *Attorney, Agent, or Firm* — Jeffrey Schox; Diana Lin

(57) **CLAIM**

The ornamental design for breathalyzer, as shown and described.

DESCRIPTION

FIG. 1 is an isometric view, from the front left, of the breathalyzer in a first configuration;

FIG. 2 is an isometric view, from the back right, of the breathalyzer in the first configuration;

FIG. 3 is a plan view of the top of the breathalyzer the first configuration;

FIG. 4 is an elevation view of the right side of the breathalyzer the first configuration;

FIG. 5 is a plan view of the bottom of the breathalyzer the first configuration;

FIG. 6 is an elevation view of the back of the breathalyzer the first configuration;

FIG. 7 is an elevation view of the front of the breathalyzer the first configuration;

FIG. 8 is an elevation view of the left side of the breathalyzer the first configuration;

FIG. 9 is an isometric view, from the front left, of the breathalyzer in a second configuration;

FIG. 10 is an isometric view, from the back right, of the breathalyzer in the second configuration;

FIG. 11 is a plan view of the top of the breathalyzer in the second configuration;

FIG. 12 is an elevation view of the right side of the breathalyzer in the second configuration;

FIG. 13 is an elevation view of the bottom of the breathalyzer in the second configuration;

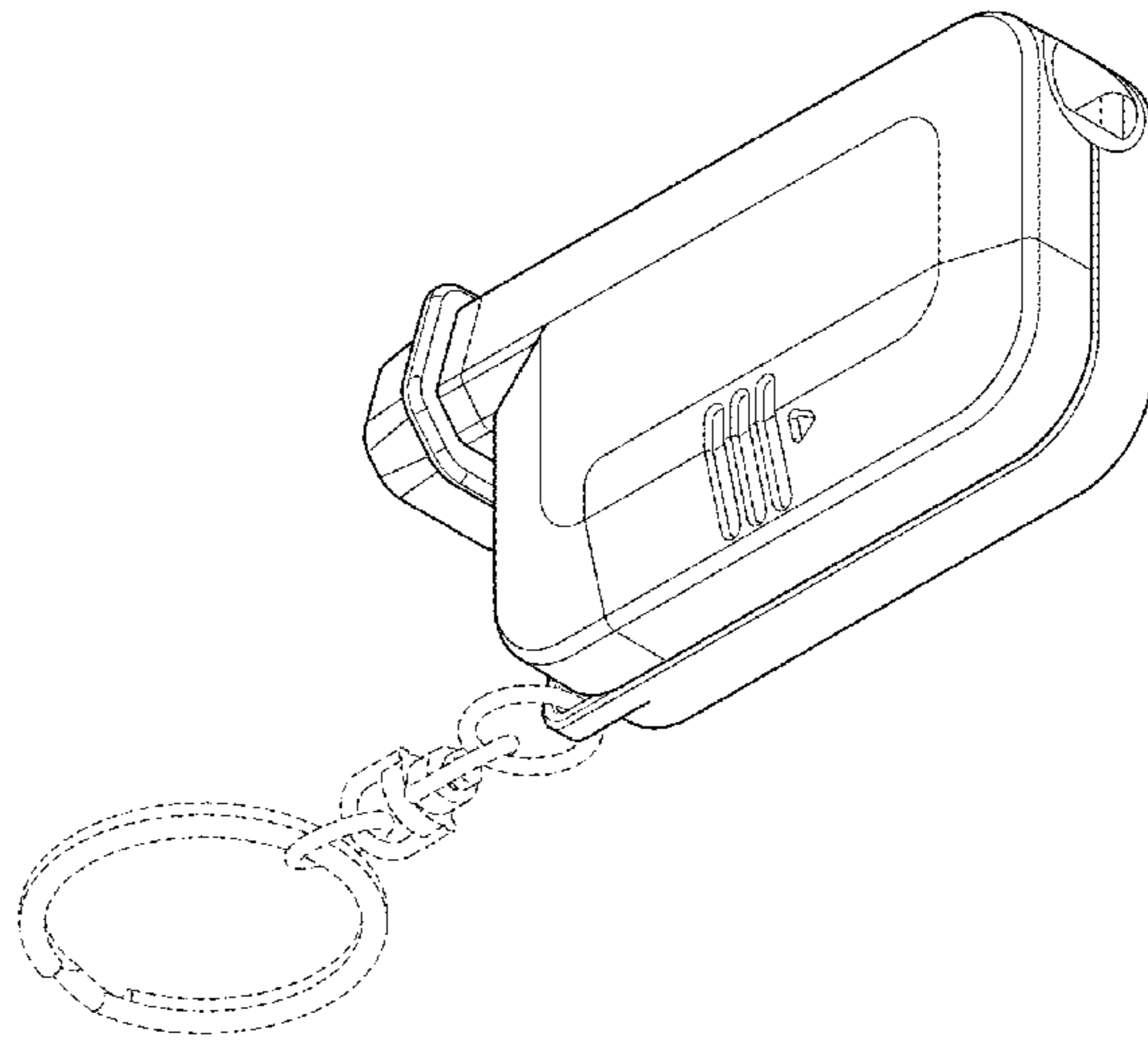
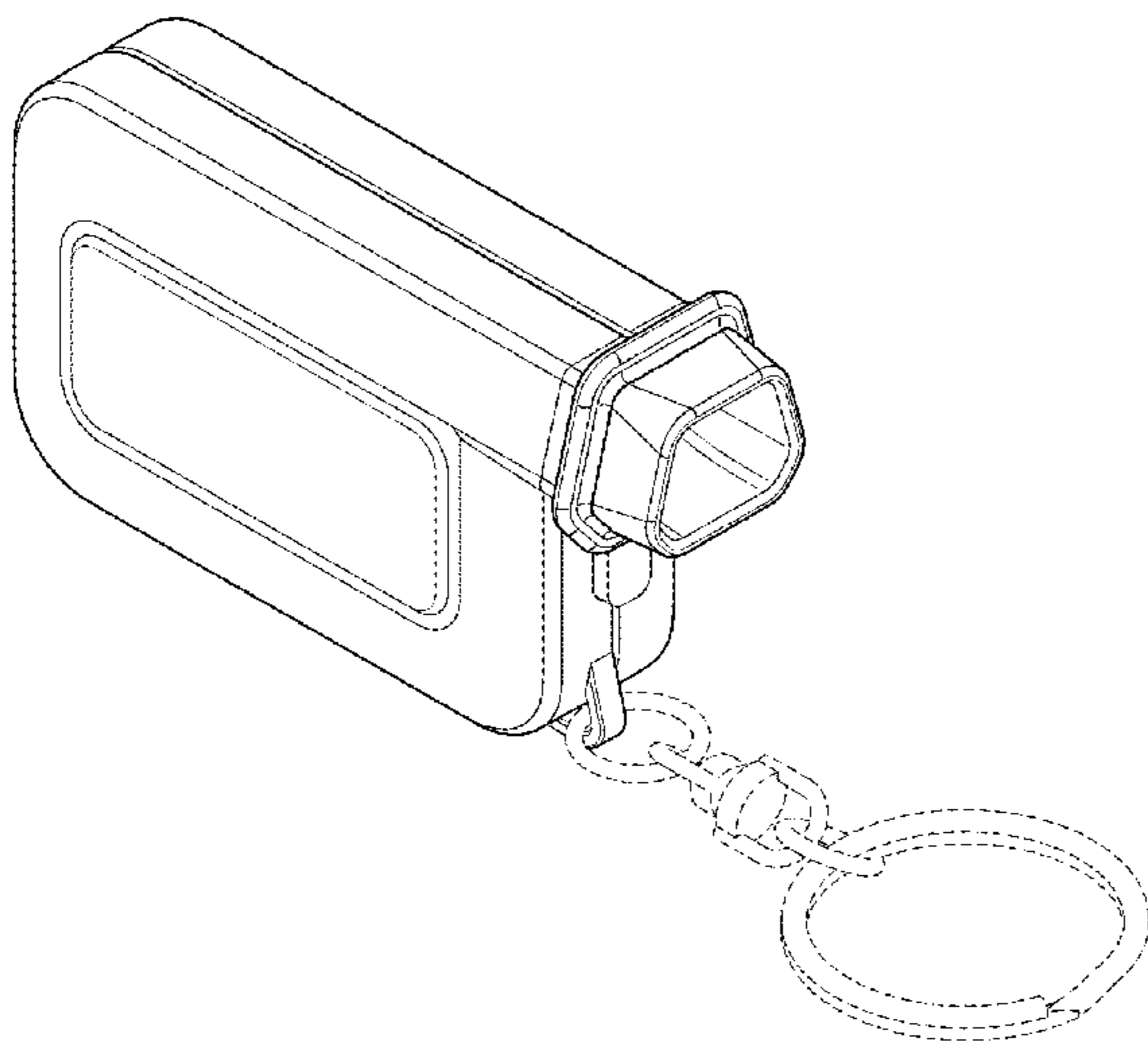
FIG. 14 is an elevation view of the back of the breathalyzer in the second configuration;

FIG. 15 is an elevation view of the front of the breathalyzer in the second configuration; and,

FIG. 16 is an elevation view of the left side of the breathalyzer in the second configuration.

The broken lines depict environment that forms no part of the claimed design.

1 Claim, 6 Drawing Sheets



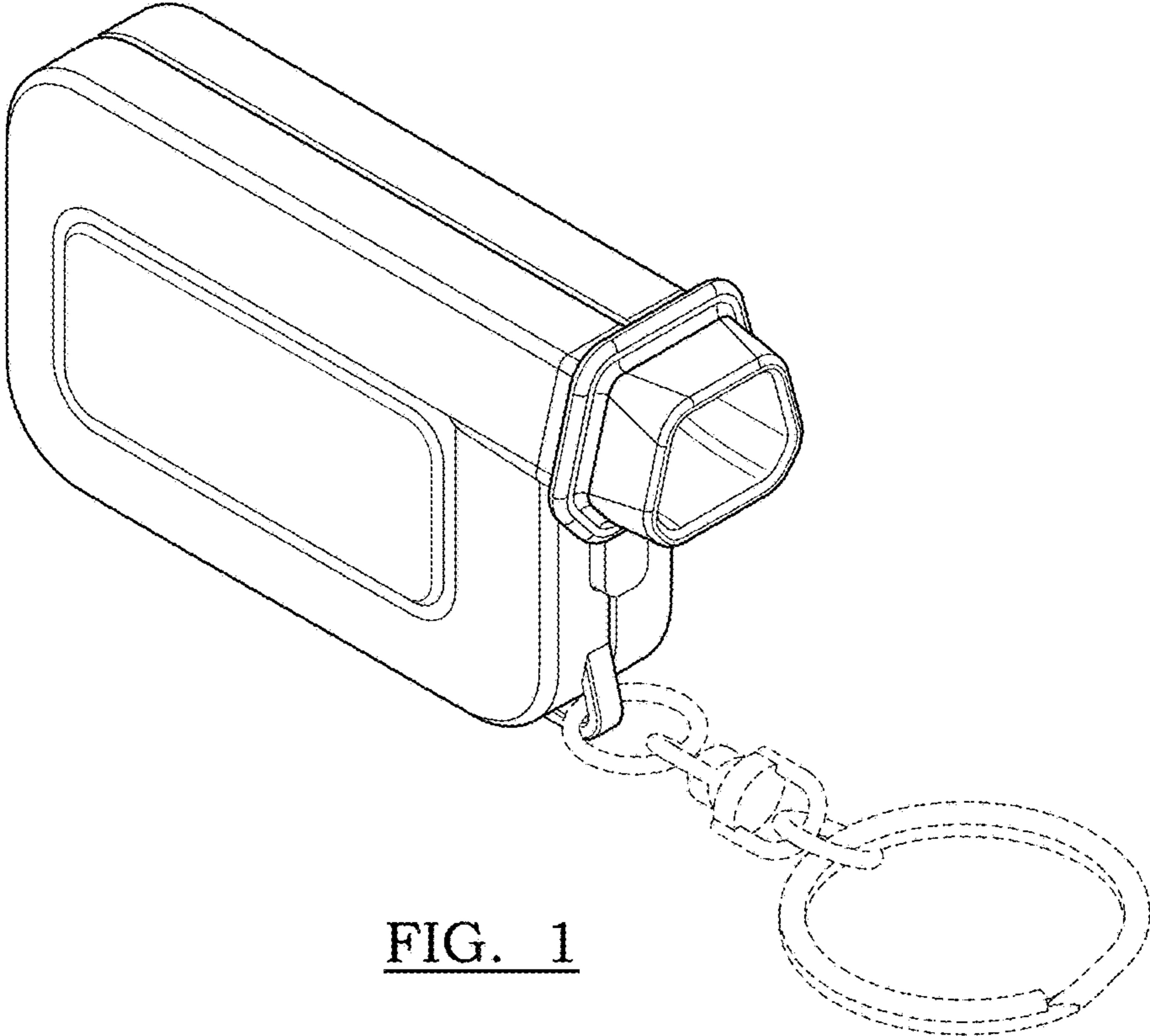


FIG. 1

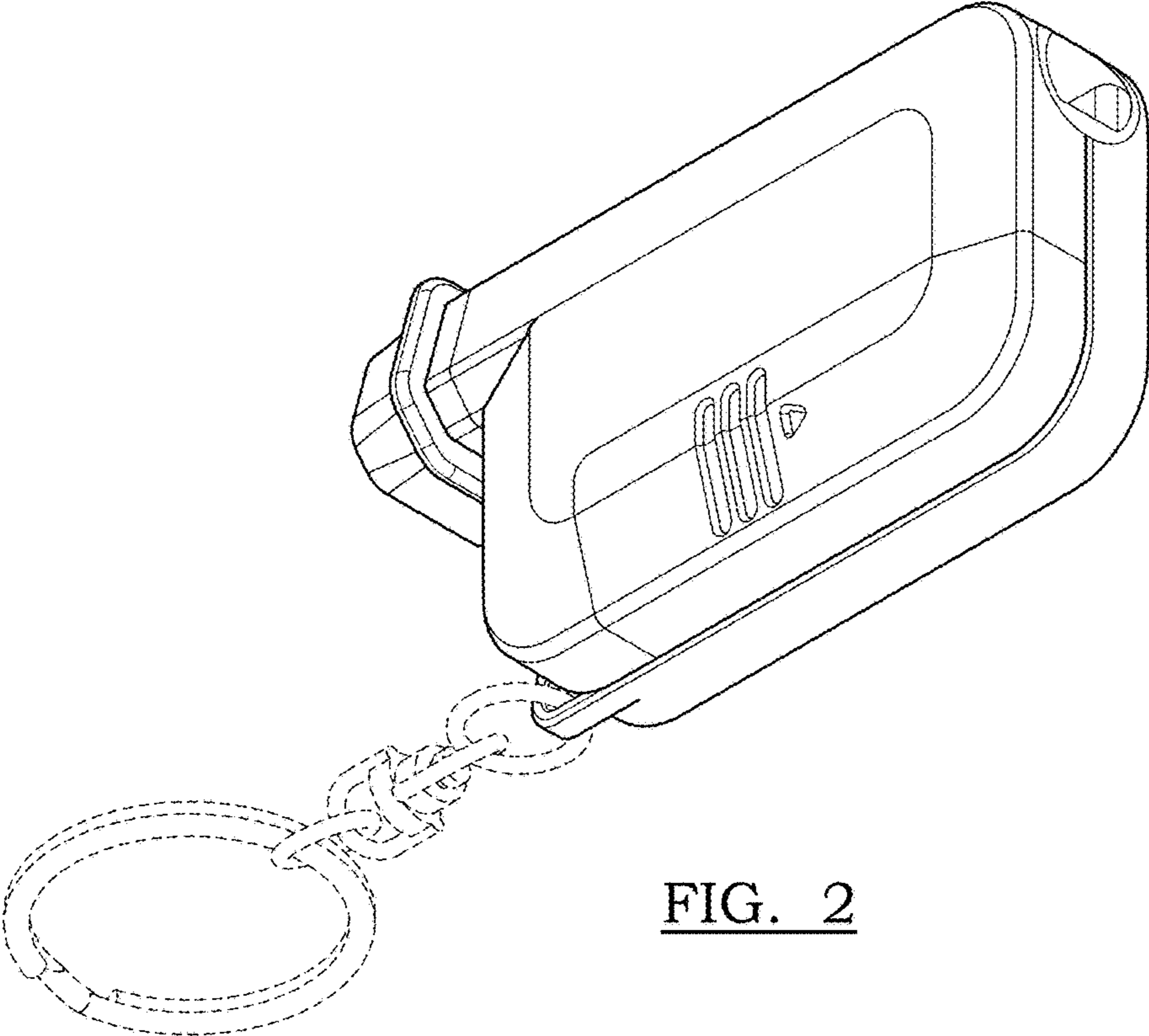


FIG. 2

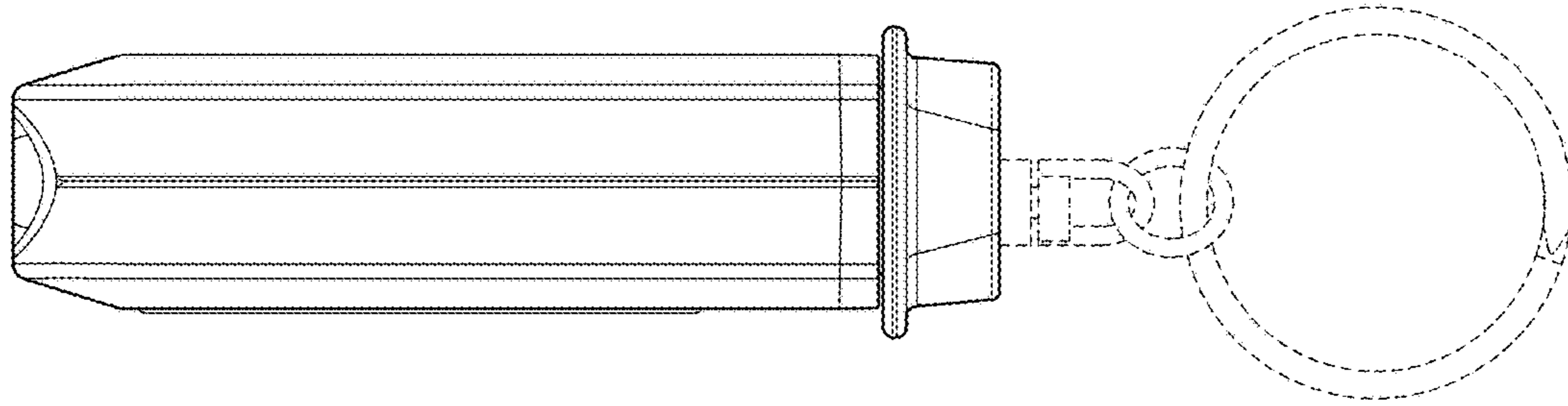


FIG. 3

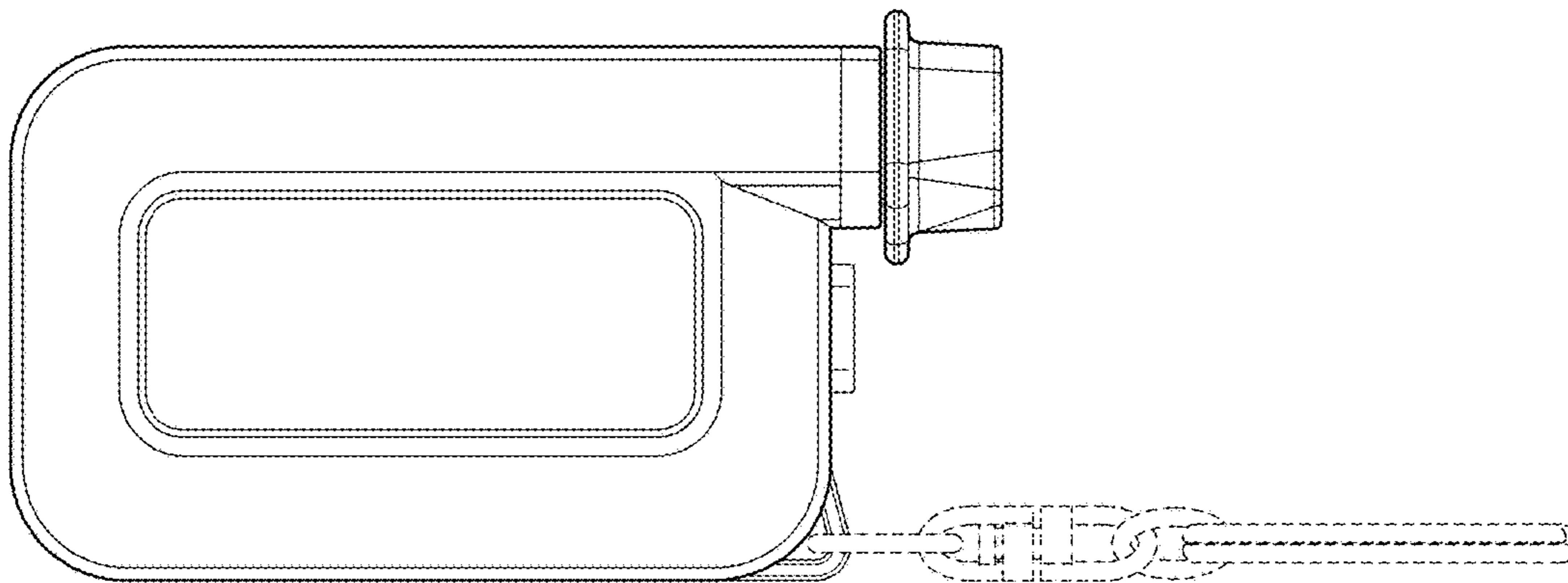


FIG. 4

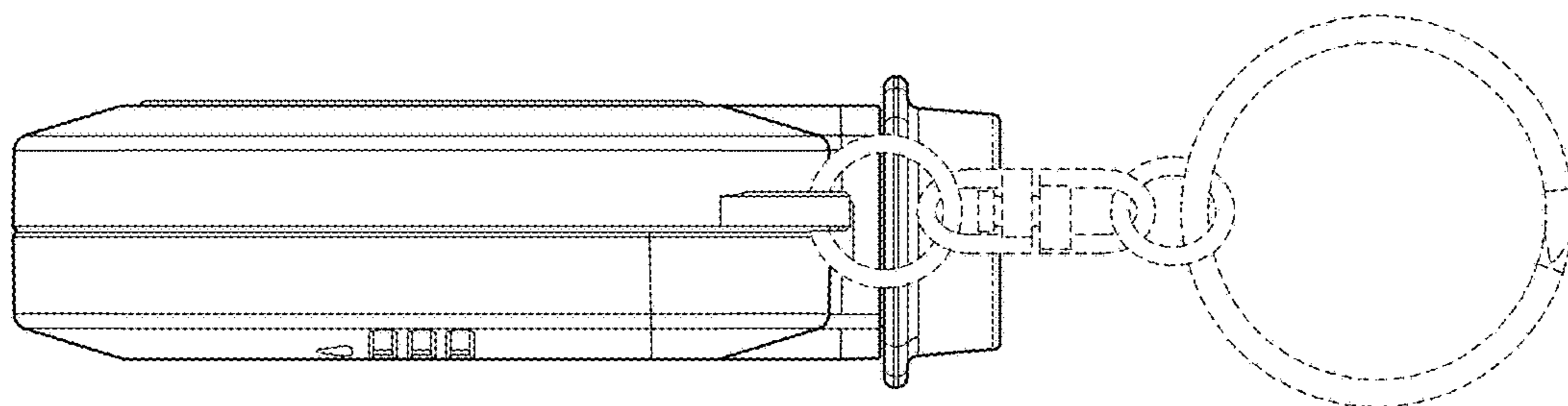


FIG. 5

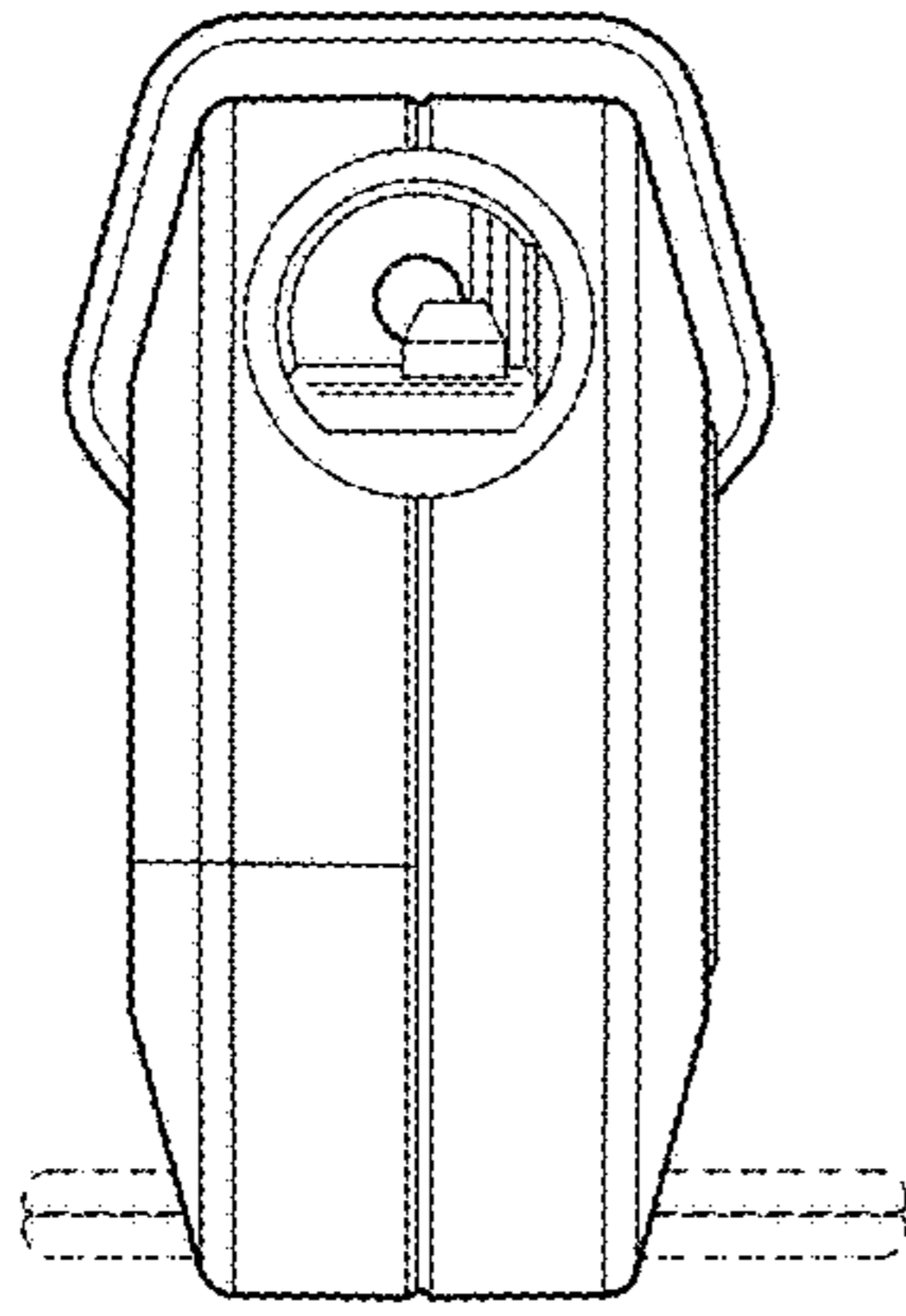


FIG. 6

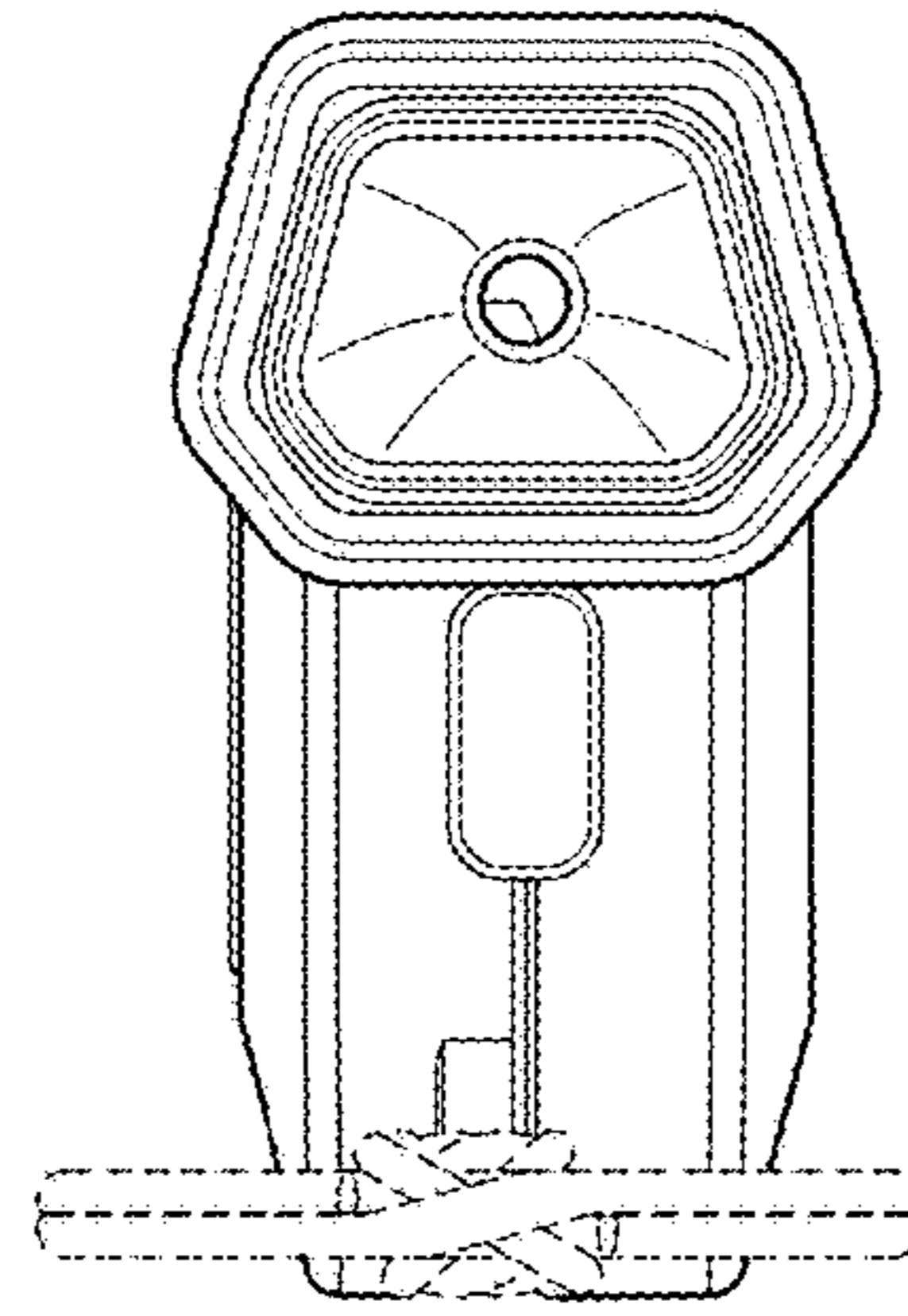


FIG. 7

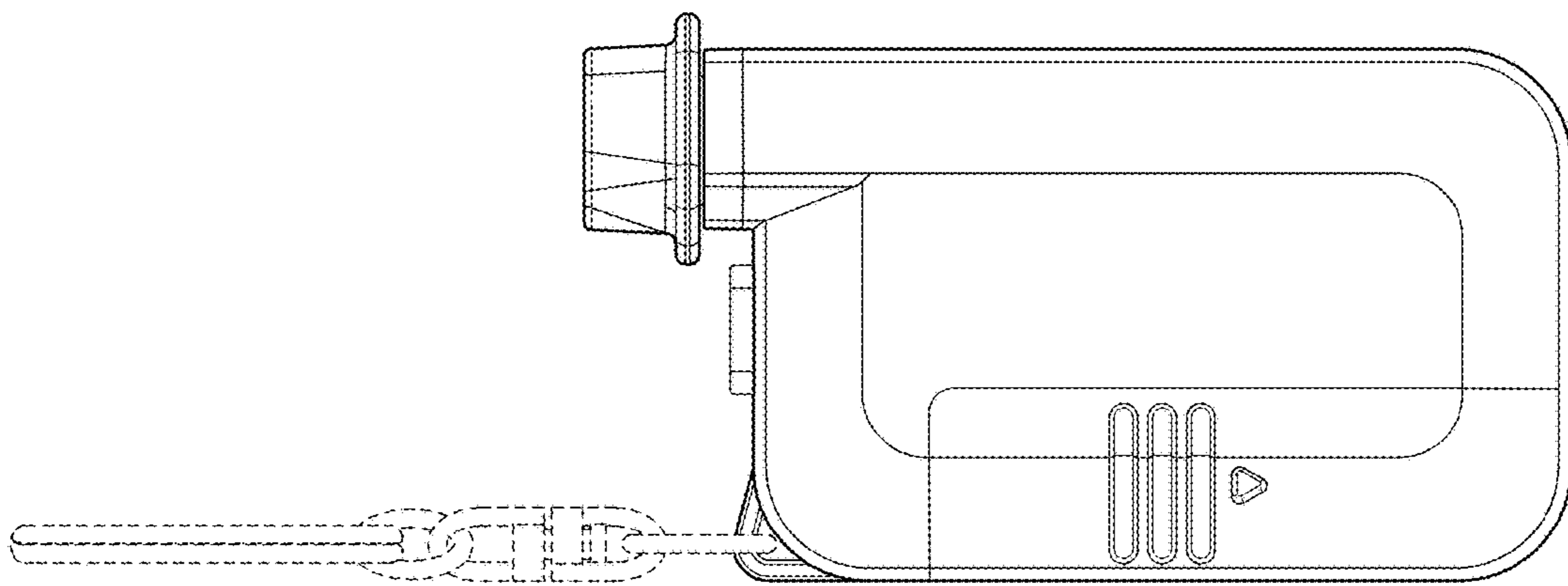


FIG. 8

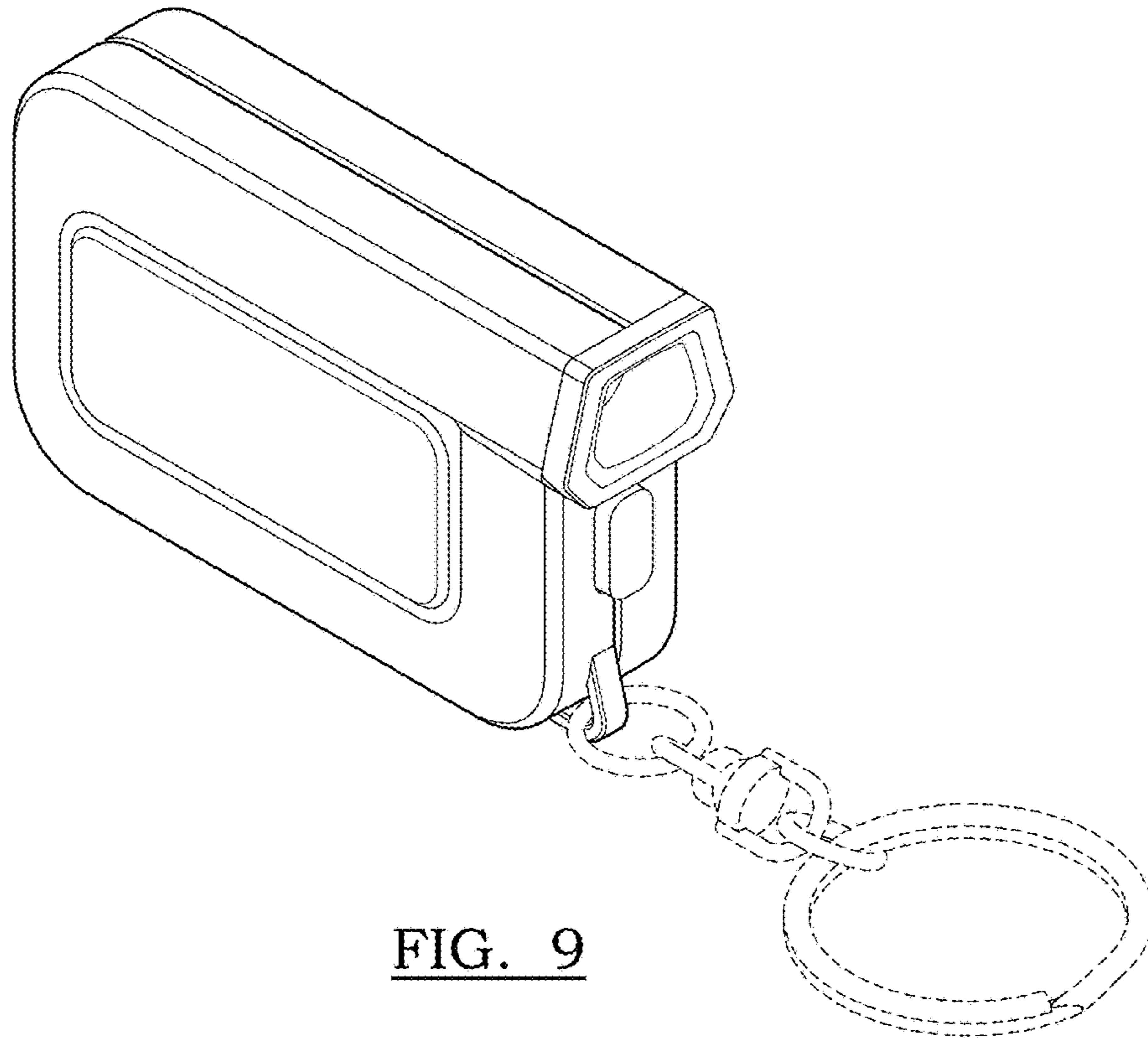


FIG. 9

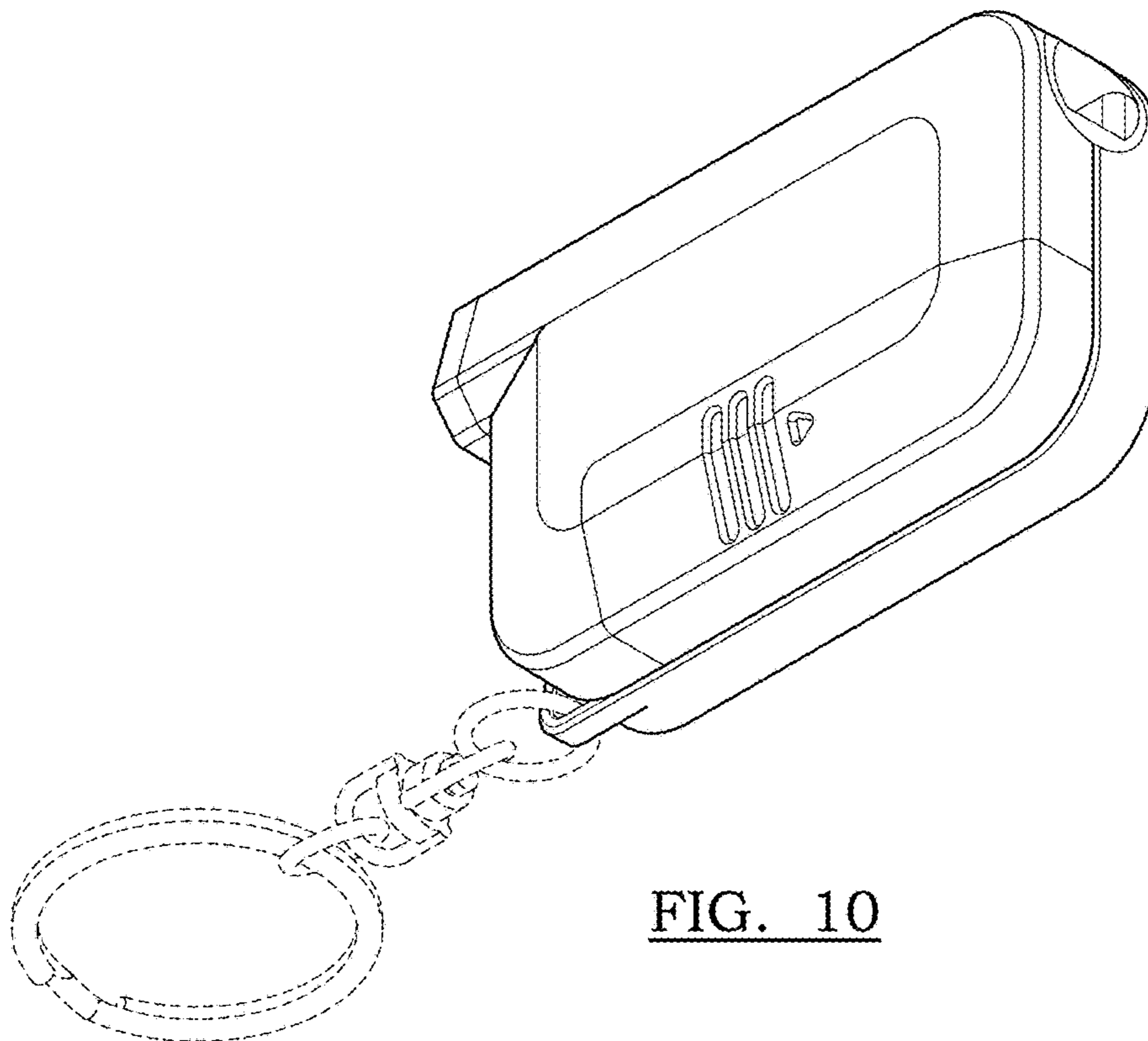


FIG. 10

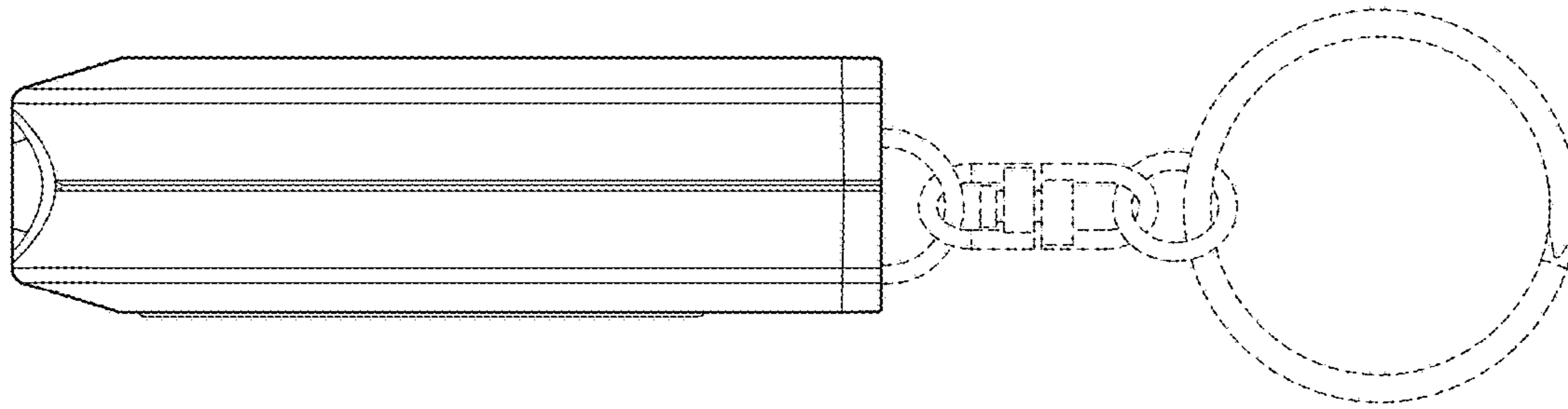


FIG. 11

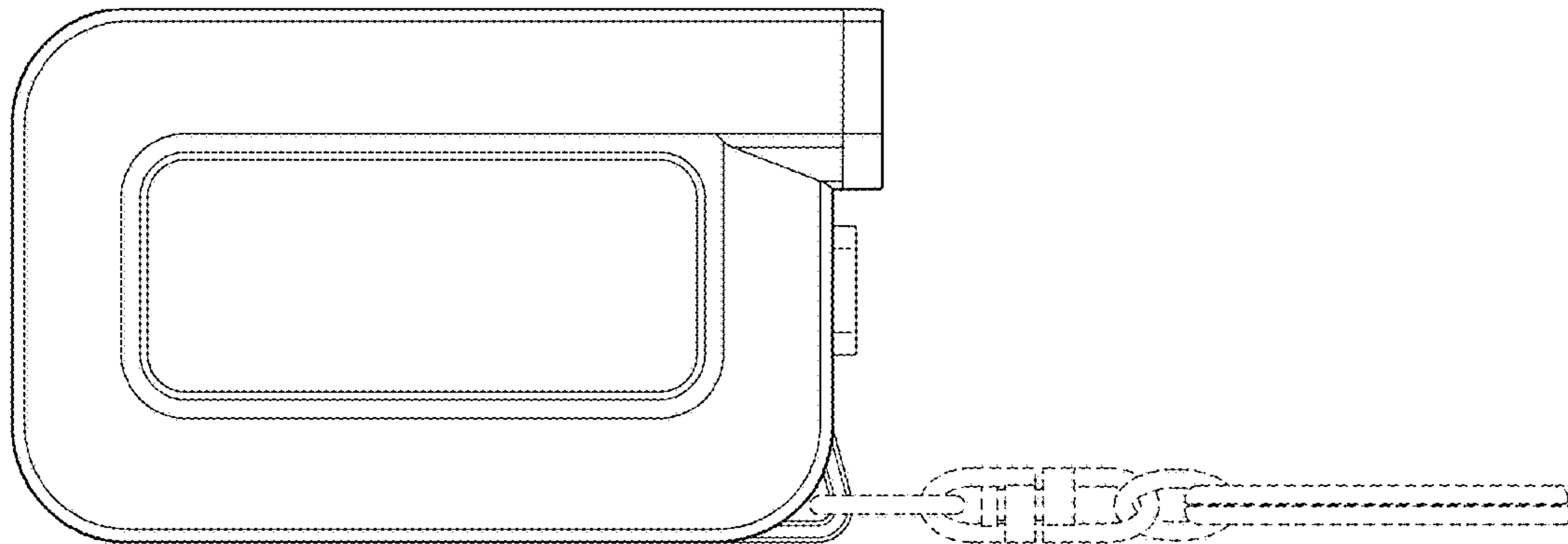


FIG. 12

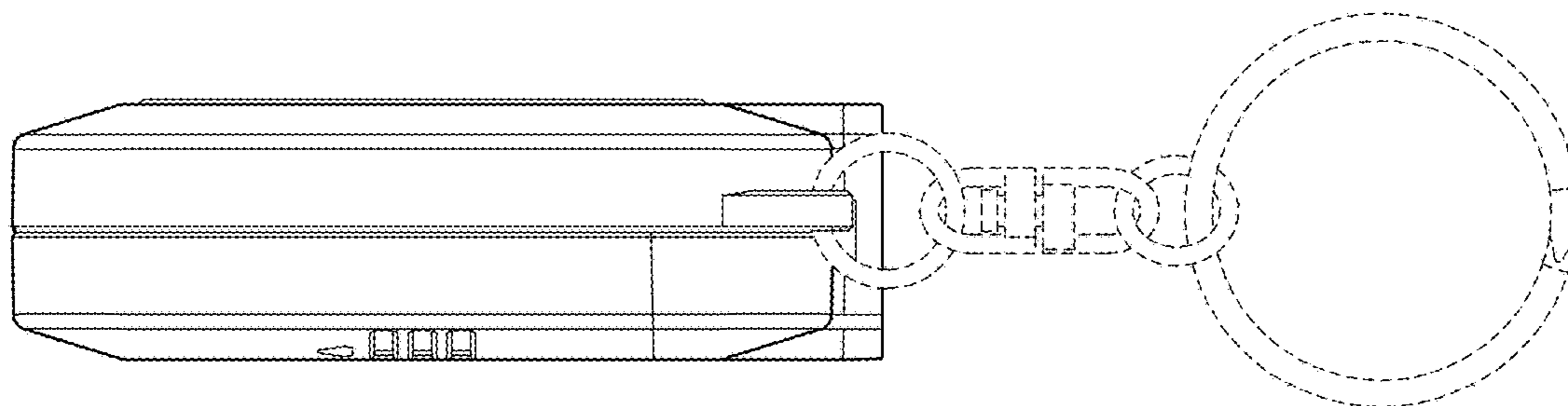


FIG. 13

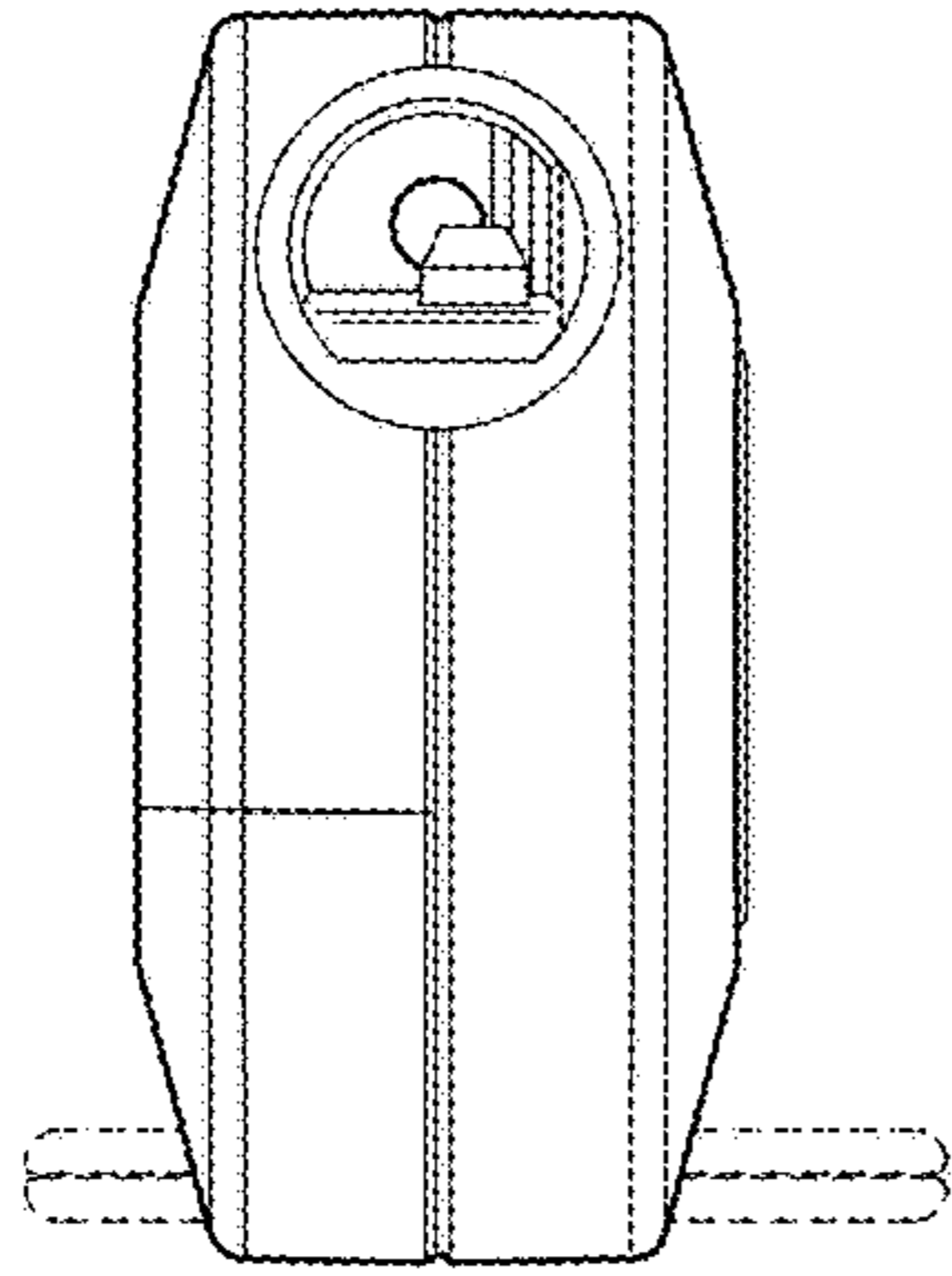


FIG. 14

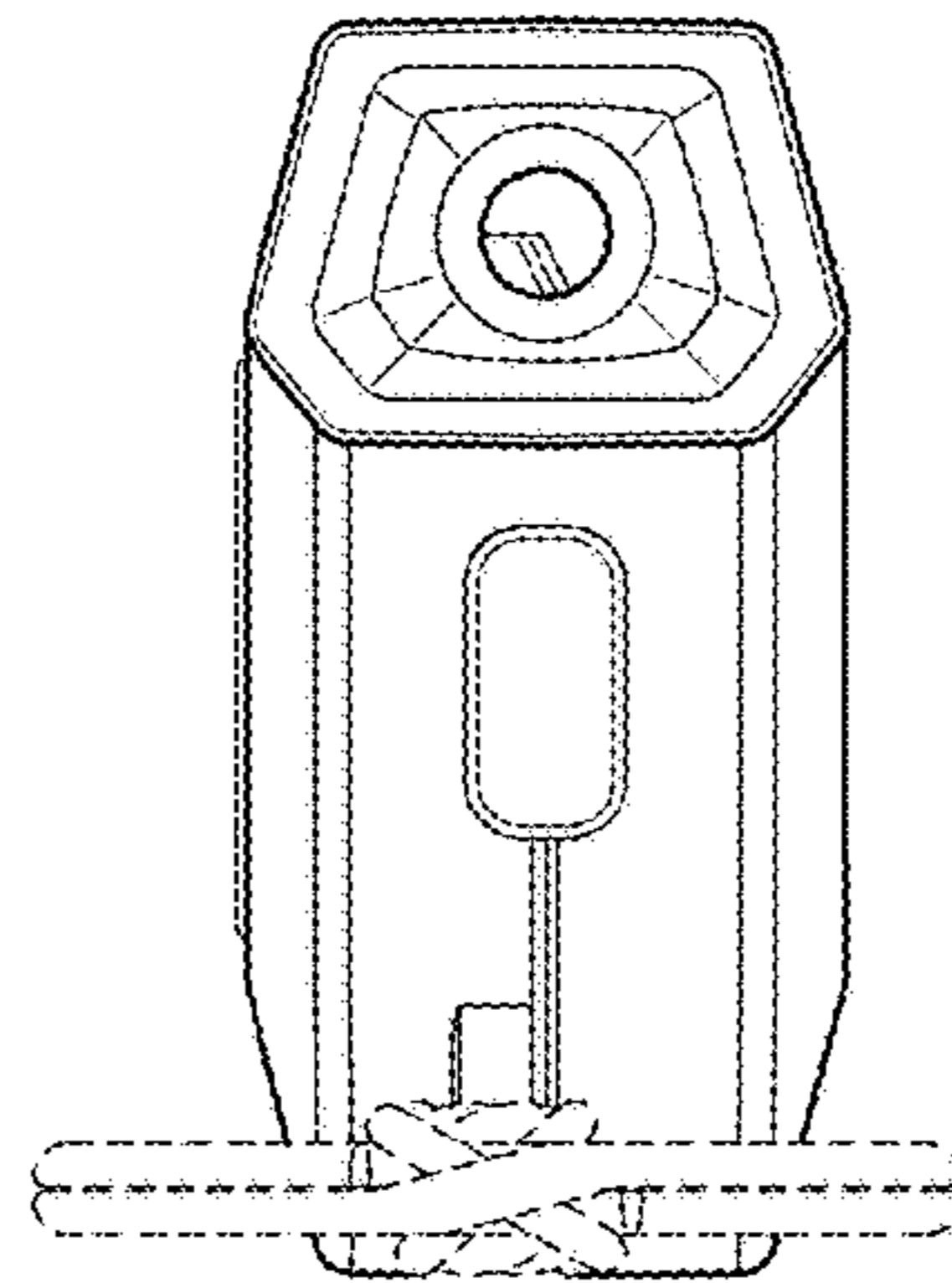


FIG. 15

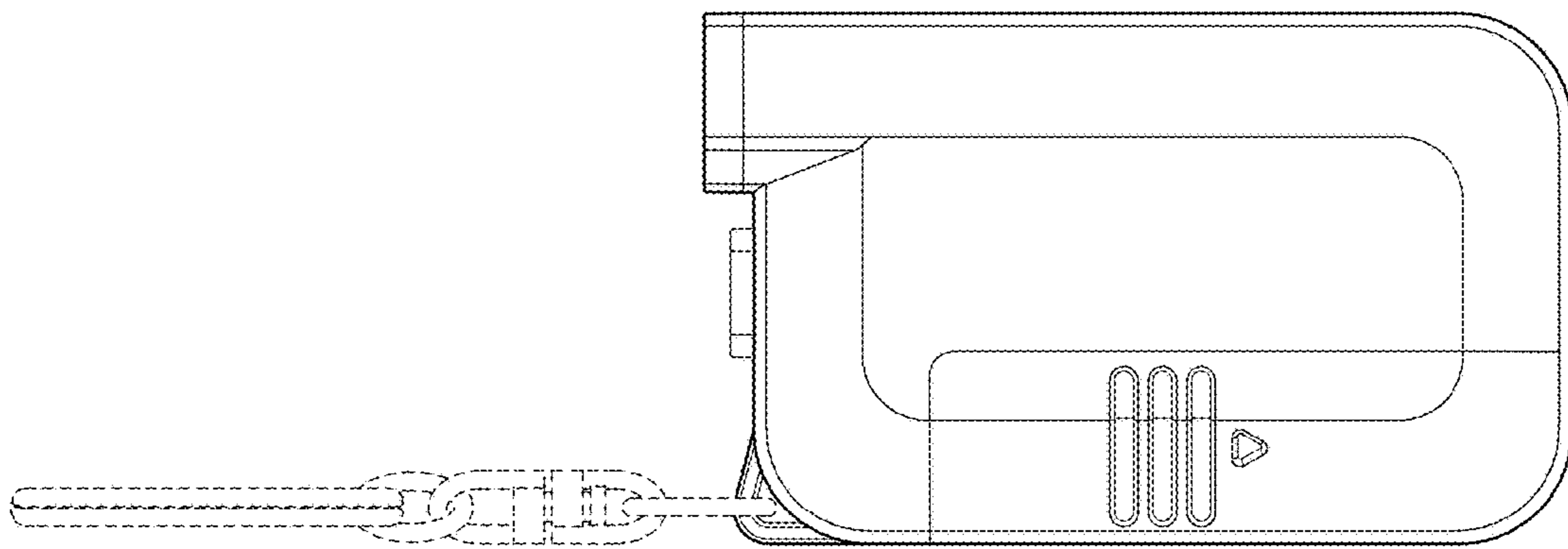


FIG. 16