



US00D834973S

(12) **United States Design Patent**
Morrison

(10) **Patent No.:** **US D834,973 S**
(45) **Date of Patent:** **** Dec. 4, 2018**

(54) **FLUID FILLER**

4,754,656 A * 7/1988 Charm G01N 1/12
73/864.63

(71) Applicant: **Jim Morrison**, Riverside, CA (US)

* cited by examiner

(72) Inventor: **Jim Morrison**, Riverside, CA (US)

Primary Examiner — Antoine D Davis
(74) *Attorney, Agent, or Firm* — Allan Howard Grant;
Grant's Law Firm

(**) Term: **15 Years**

(21) Appl. No.: **29/607,992**

(57) **CLAIM**

I claim the ornamental design for a fluid filler, as shown and as described.

(22) Filed: **Jun. 19, 2017**

(51) **LOC (11) Cl.** **10-04**

DESCRIPTION

(52) **U.S. Cl.**

USPC **D10/81**

(58) **Field of Classification Search**

USPC D10/81

CPC G01N 2001/1031; G01N 1/12; G01N
33/18-33/1893; G01N 2033/184; G01N
2033/1873; G01N 2201/022; G01N
2201/0221; G01N 2201/0222; G01N
2201/0225; G01N 21/77-21/84; C02F
1/008; C02F 2103/42; C02F 2201/00

See application file for complete search history.

FIG. 1 is a perspective view of the fluid filler.
FIG. 2 is the front view of the fluid filler.
FIG. 3 is a back view of the fluid filler.
FIG. 4 is a side view of the fluid filler.
FIG. 5 is the other side view of the fluid filler.
FIG. 6 is a top view of the fluid filler.
FIG. 7 is bottom view of the fluid filler.
FIG. 8 is a perspective view of the fluid filler showing the inner handle raised up to open the lid of the fluid container.
FIG. 9 is a perspective view of the fluid filler showing the inner handle raised up to allow water to flow into the fluid container; and,
FIG. 10 is a perspective view of the fluid filler showing the inner handle released and therein closing the lid to the fluid container.

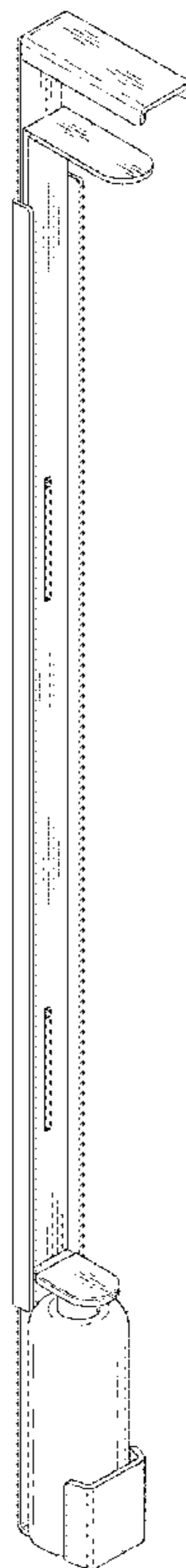
The pool and water are shown in broken lines for illustrative purposes only and do not form part of the claimed design.

(56) **References Cited**

U.S. PATENT DOCUMENTS

1,518,160 A * 12/1924 O'hara G01N 1/12
137/533.19
4,454,775 A * 6/1984 Ellis G01N 33/182
422/405

1 Claim, 5 Drawing Sheets



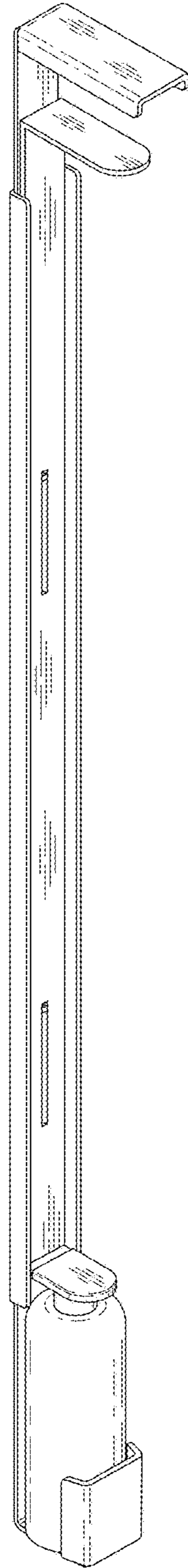


Fig. 1

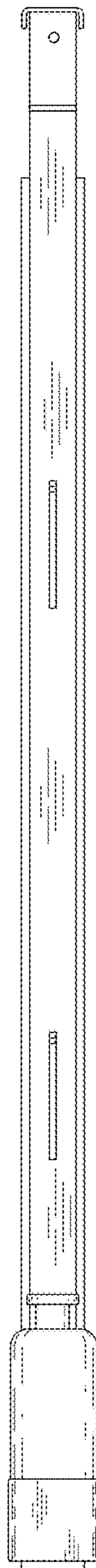


Fig. 2

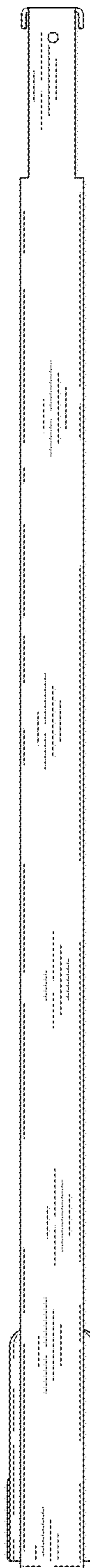


Fig. 3

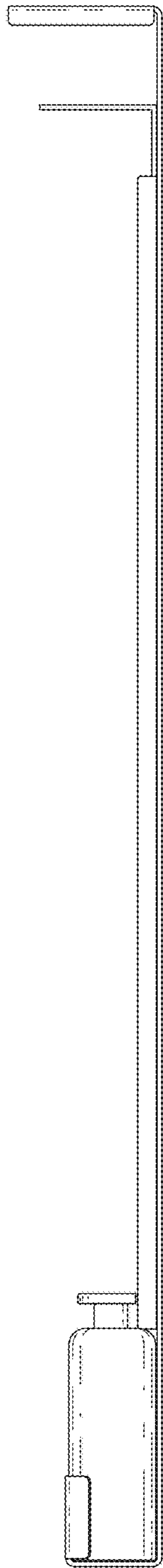


Fig. 4

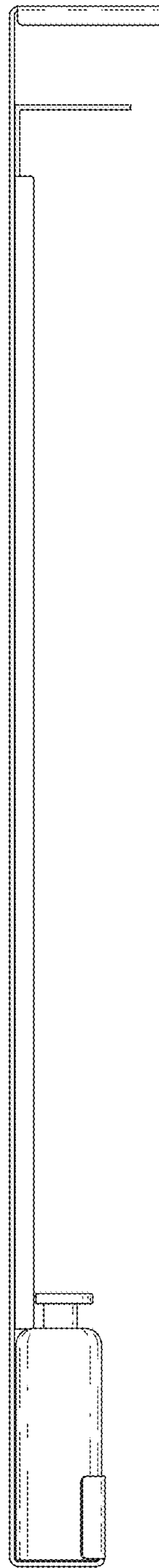


Fig. 5

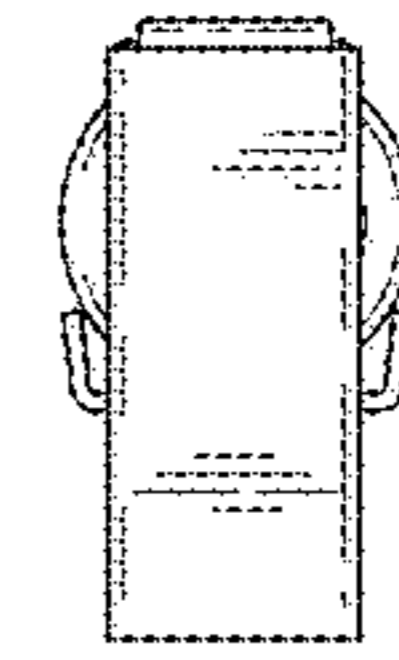


Fig. 6

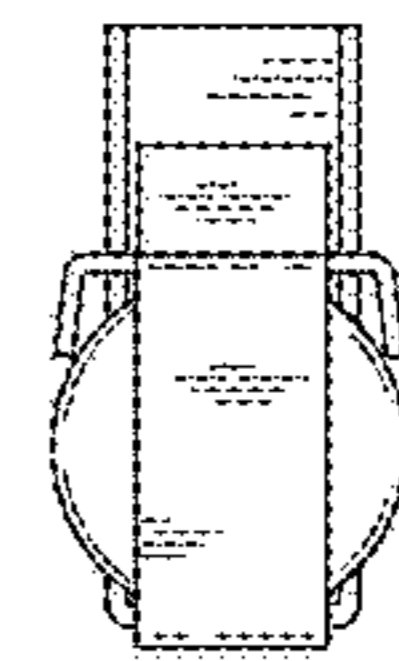


Fig. 7

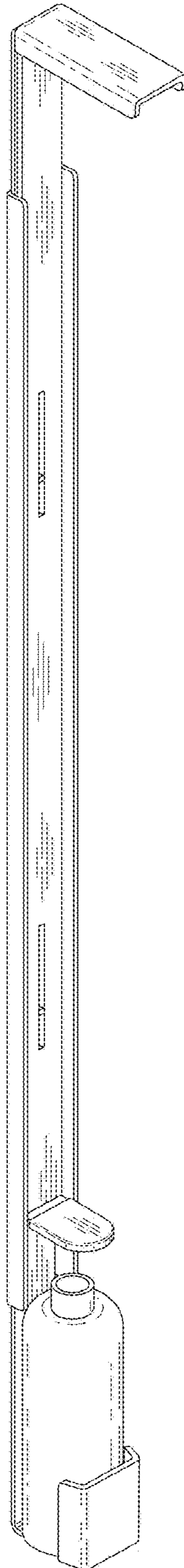


Fig. 8

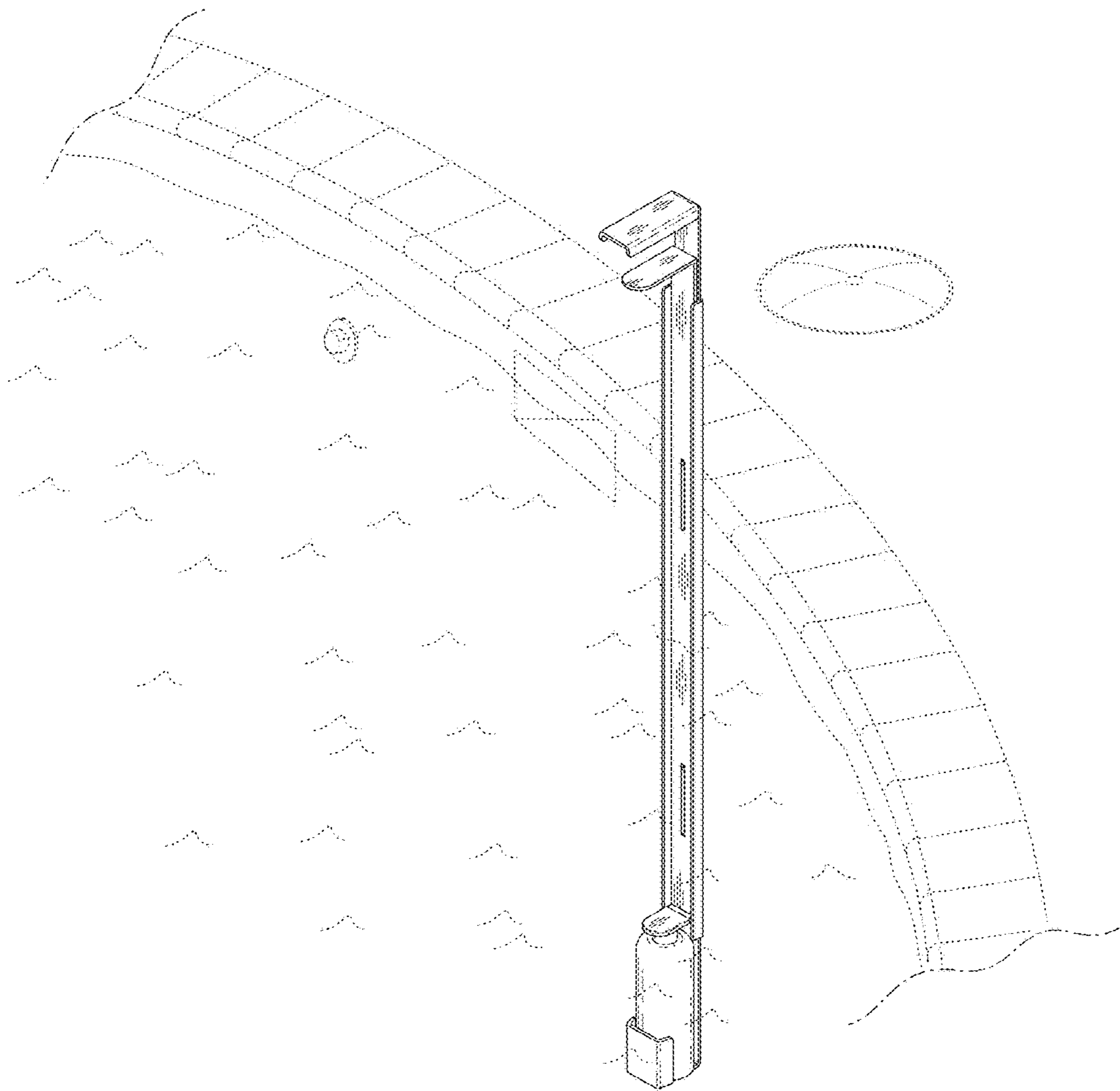


Fig. 9

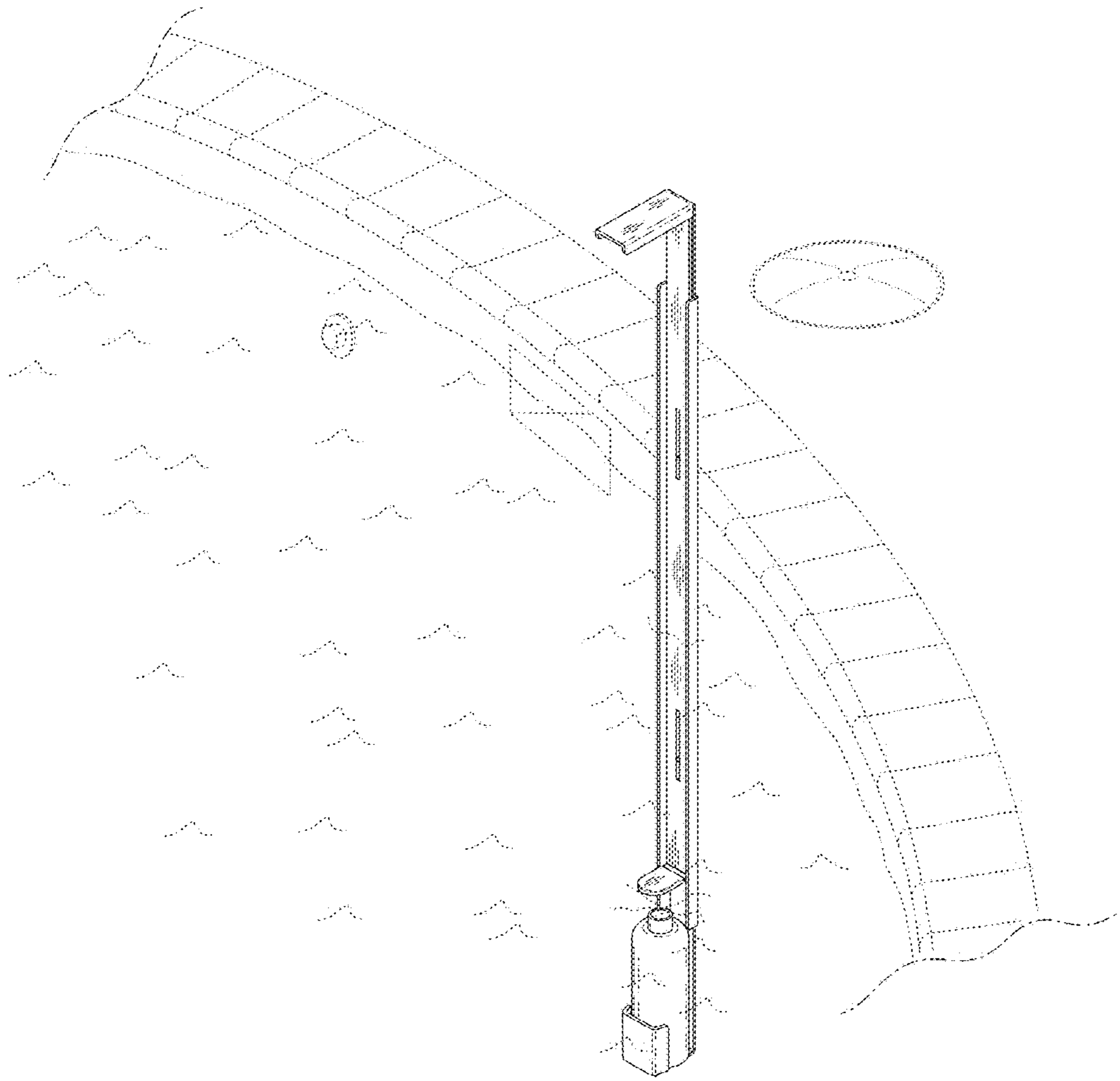


Fig. 10