



US00D834971S

(12) **United States Design Patent** (10) **Patent No.:** **US D834,971 S**  
**Ahn et al.** (45) **Date of Patent:** **\*\* Dec. 4, 2018**

(54) **FRONT SENSOR HOUSING**

(71) Applicant: **Waymo LLC**, Mountain View, CA (US)

(72) Inventors: **YooJung Ahn**, Mountain View, CA (US); **Joshua Newby**, San Francisco, CA (US); **Albert Shane**, Berkeley, CA (US)

(73) Assignee: **Waymo LLC**, Mountain View, CA (US)

(\*\*) Term: **15 Years**

(21) Appl. No.: **29/602,112**

(22) Filed: **Apr. 28, 2017**

(51) **LOC (11) Cl.** ..... **10-04**

(52) **U.S. Cl.**  
USPC ..... **D10/70; D12/190; D12/197**

(58) **Field of Classification Search**  
USPC ..... **D10/70; D12/190, 197**  
CPC .. **B60Q 1/0017; B60Q 1/0023; B60Q 1/0029; B60Q 1/0035; B60Q 1/0041; B60Q 1/26; B60Q 1/2603; B60Q 1/2607; B60Q 1/2611; B60Q 9/002; B60Q 9/003; B60Q 9/004; B60Q 9/006; B60Q 9/007; B60Q 9/008; B60R 1/10; B60R 1/12; B60R 2001/1284**

See application file for complete search history.

(56) **References Cited**

**U.S. PATENT DOCUMENTS**

D328,436	S *	8/1992	Fuerst	.....	D10/46
5,945,907	A	8/1999	Yaron et al.		
D478,518	S *	8/2003	Porter	.....	D10/70
D525,888	S *	8/2006	Porter	.....	D10/70
7,517,099	B2	4/2009	Hannah		
9,725,060	B1	8/2017	Daniel et al.		
9,862,311	B2 *	1/2018	Kiriyama	.....	B60Q 1/346
2016/0011594	A1	1/2016	Chung et al.		

2017/0151933 A1 6/2017 Doorley et al.  
2017/0293016 A1 10/2017 McCloskey et al.  
2017/0300060 A1 10/2017 Crawley

(Continued)

*Primary Examiner* — Antoine Duval Davis

(74) *Attorney, Agent, or Firm* — Lerner, David, Littenberg, Krumholz & Mentlik, LLP

(57) **CLAIM**

The ornamental design for a front sensor housing, as shown and described.

**DESCRIPTION**

The present application is related to copending application Ser. No. 29/602,101, entitled Roof Sensor Housing; to application Ser. No. 29/602,117, entitled Fender Sensor Housing; and to application Ser. No. 29/602,110, entitled Rear Sensor Housing, each of which is filed concurrently herewith, the entire disclosures of which are incorporated by reference herein.

FIG. 1 is a front perspective view of a front sensor housing according to our design;

FIG. 2 is a front elevation view thereof;

FIG. 3 is a back elevation view thereof;

FIG. 4 is a right side elevation view thereof;

FIG. 5 is a left side elevation view thereof;

FIG. 6 is a top plan view thereof;

FIG. 7 is a bottom plan view thereof;

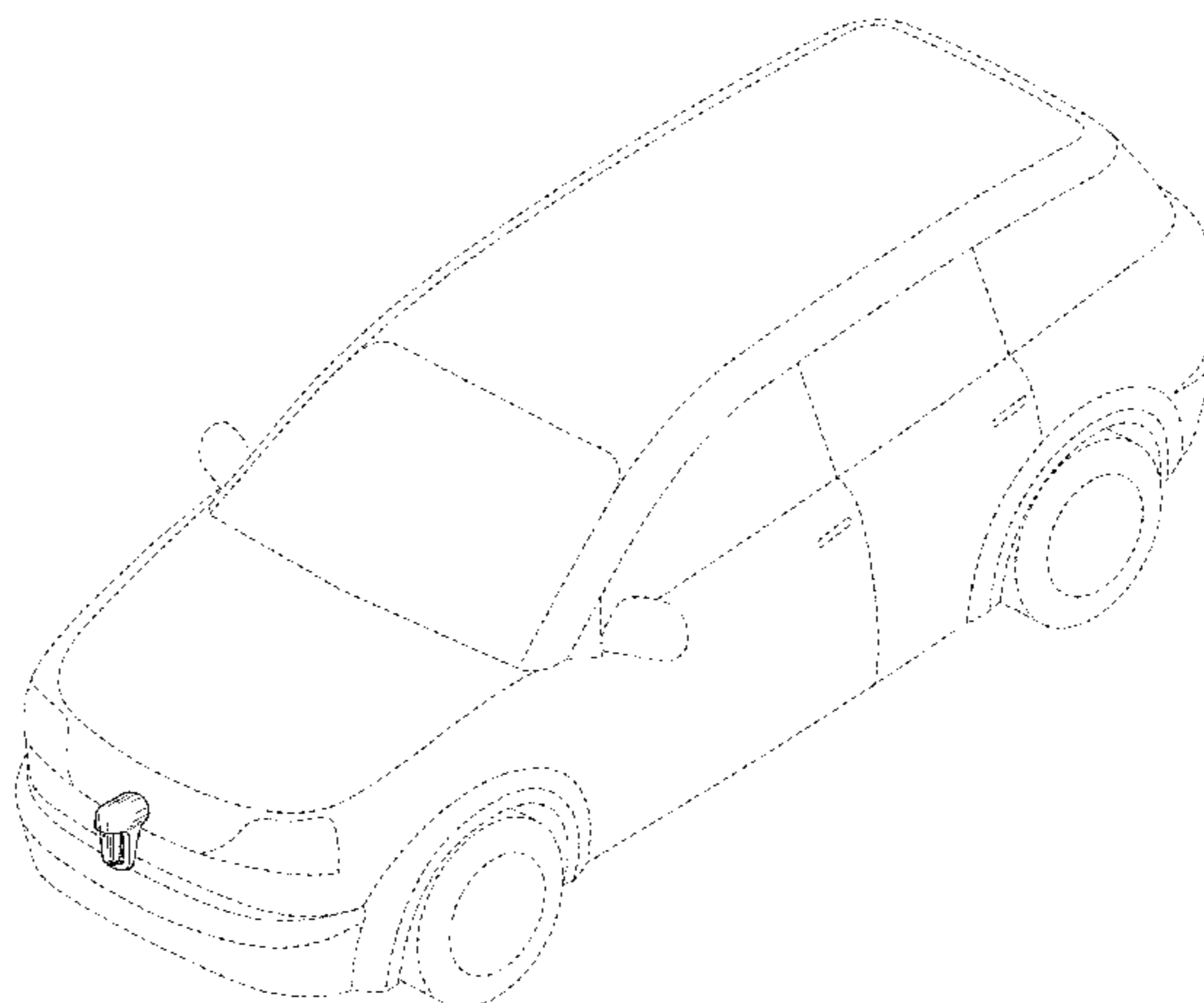
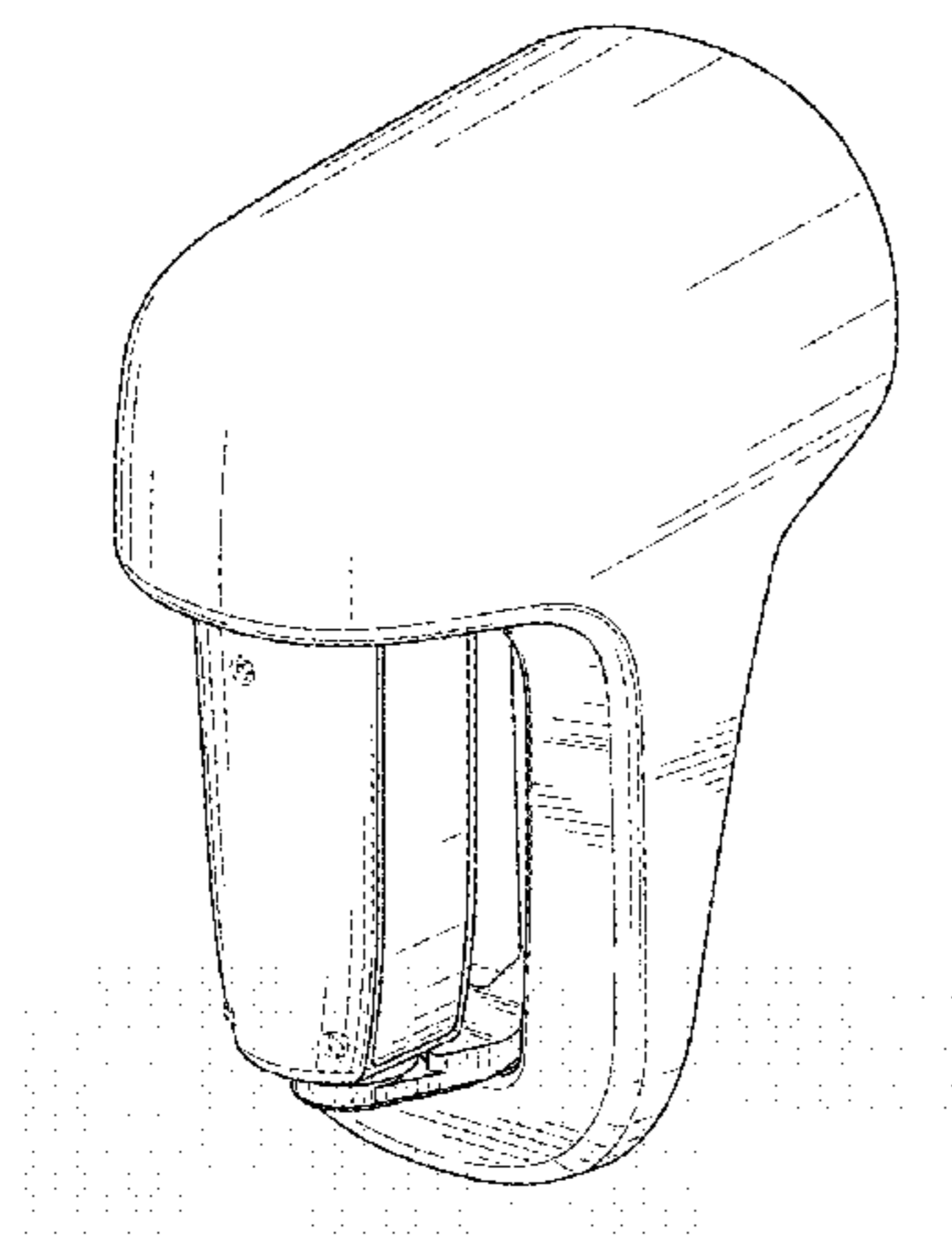
FIG. 8 is a front perspective view of the front sensor housing positioned on a first exemplary vehicle; and,

FIG. 9 is a front perspective view of the front sensor housing positioned on a second exemplary vehicle.

The broken lines shown in FIGS. 1-7 illustrate portions of the front sensor housing that form no part of the claimed design. The broken lines shown in FIGS. 8-9 illustrate portions of the front sensor housing and the exemplary vehicles that form no part of the claimed design.

The specific placement of the front sensor housing in FIGS. 8-9 on the exemplary vehicles are for illustrative purposes only.

**1 Claim, 6 Drawing Sheets**



(56)

**References Cited**

U.S. PATENT DOCUMENTS

2017/0343654 A1 11/2017 Valois et al.  
2018/0011173 A1 1/2018 Newman  
2018/0015886 A1 1/2018 Frank et al.  
2018/0017680 A1 1/2018 Pennecot et al.  
2018/0037268 A1 2/2018 Moore et al.  
2018/0086280 A1 3/2018 Nguyen

\* cited by examiner

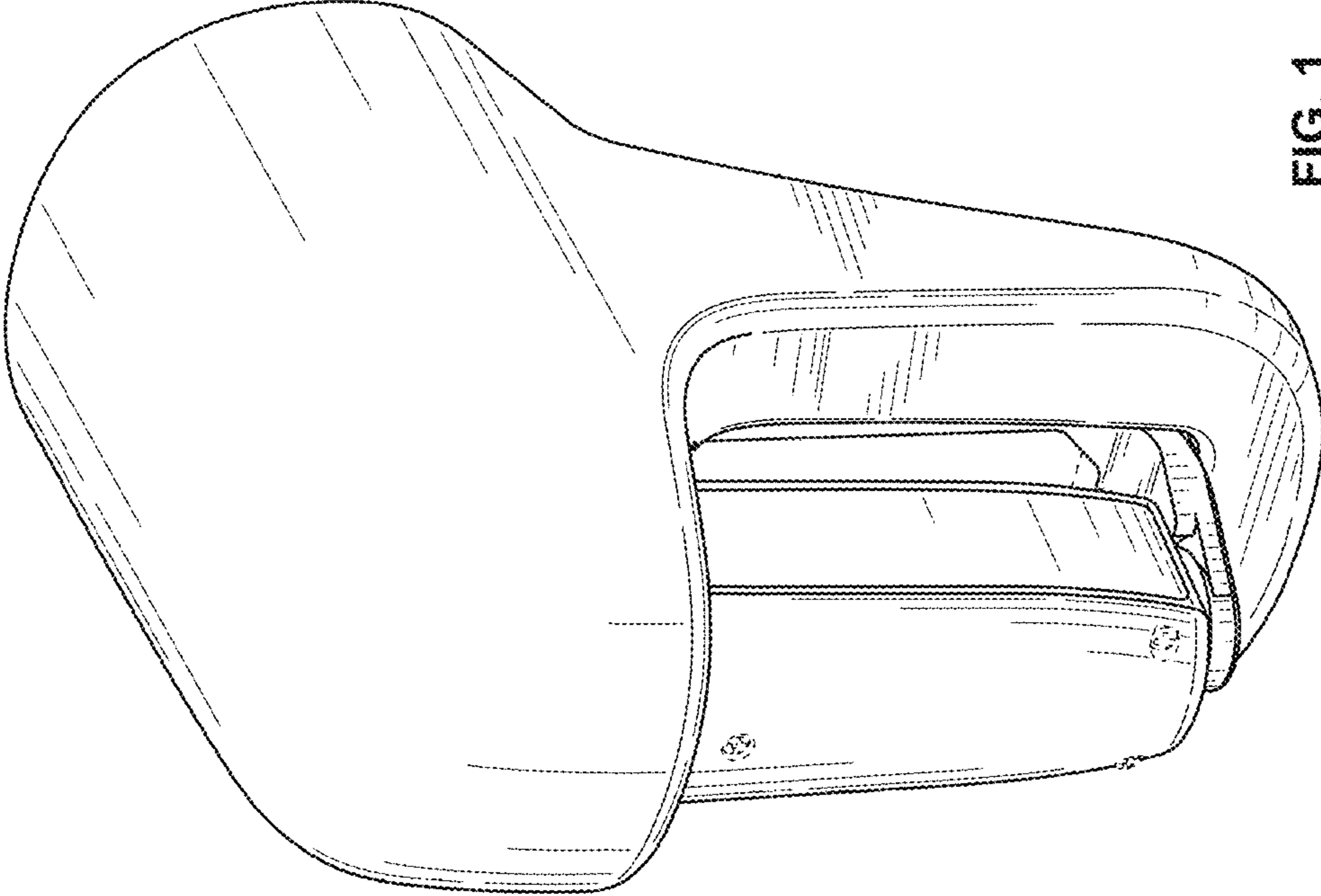


FIG. 1

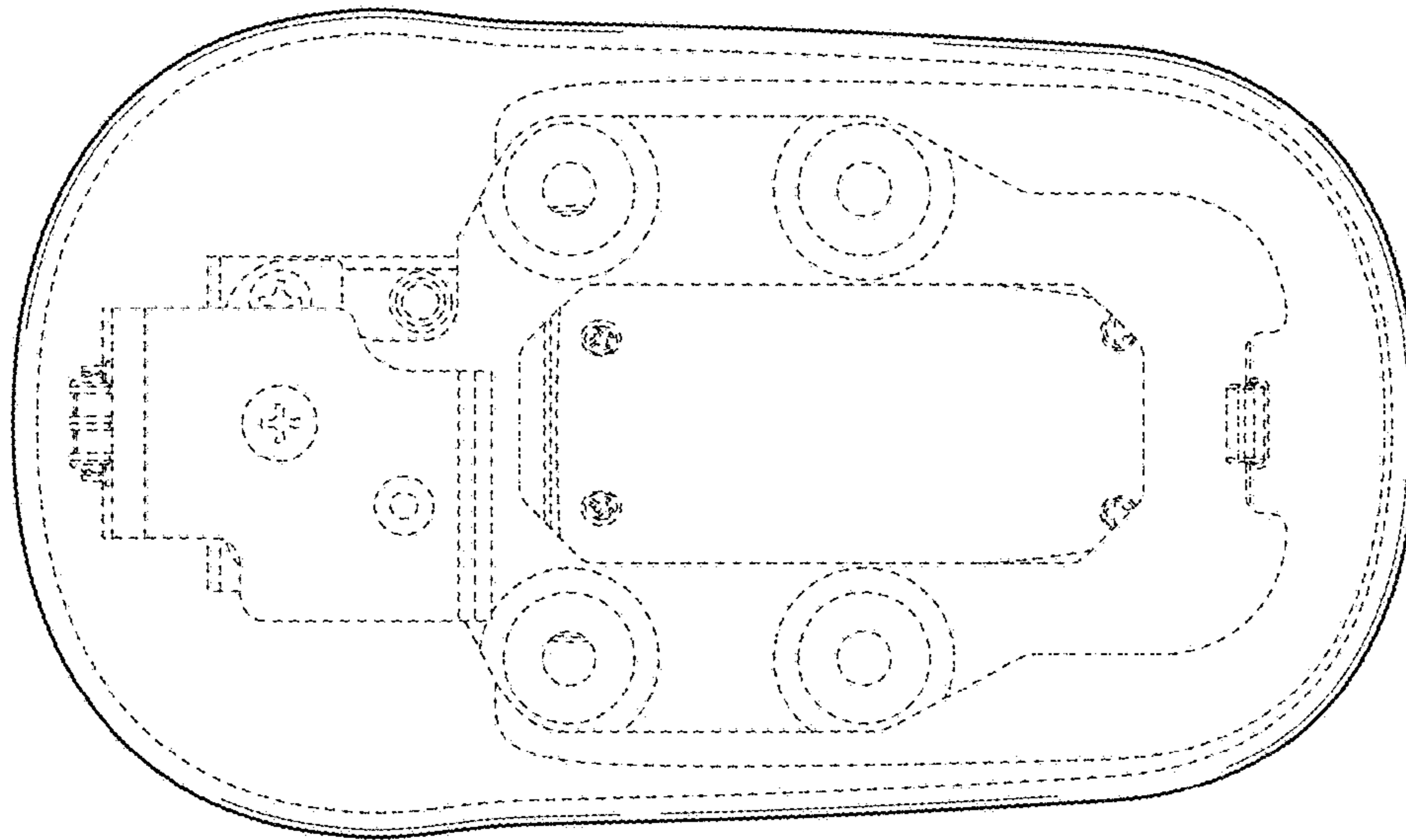


FIG. 3

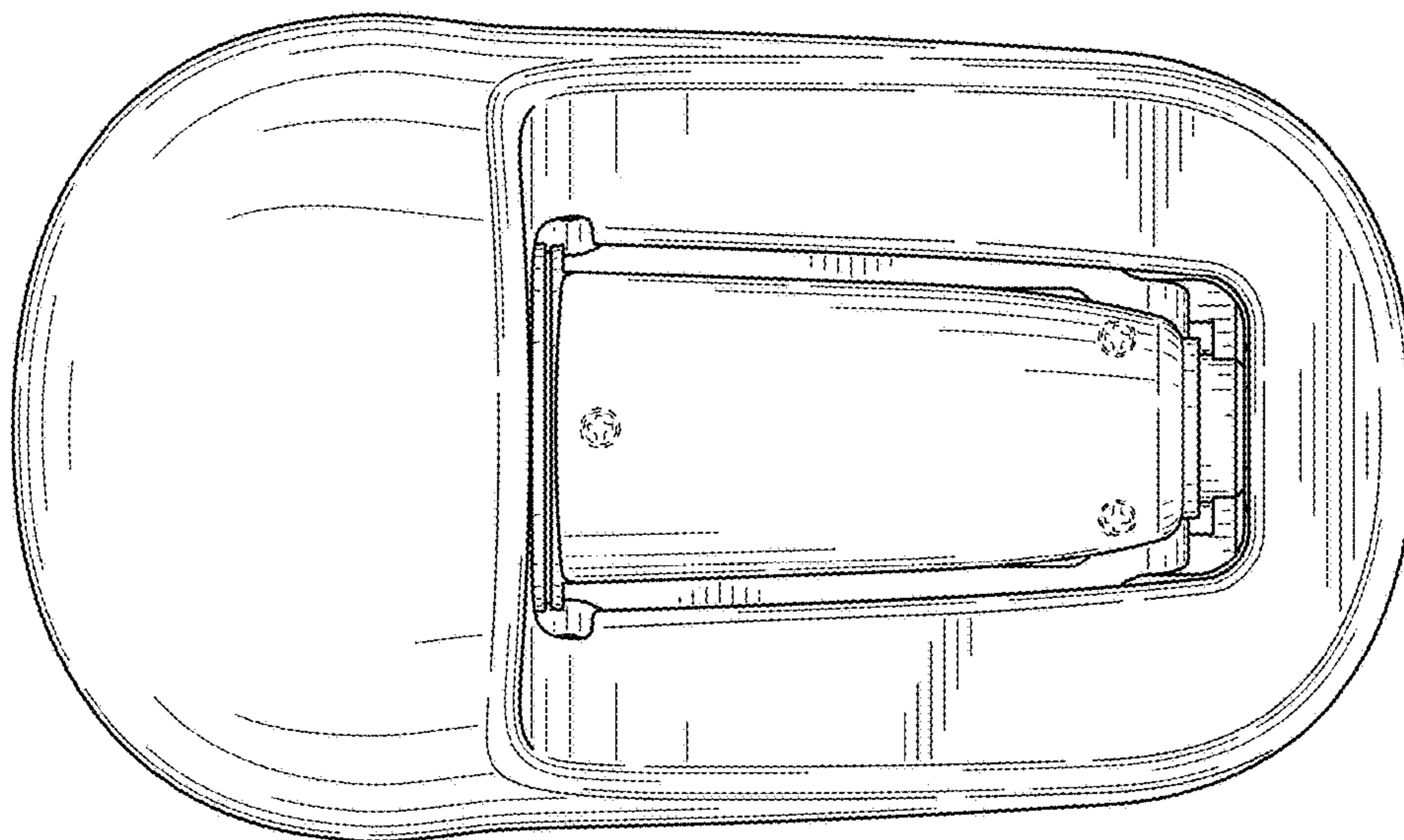


FIG. 2

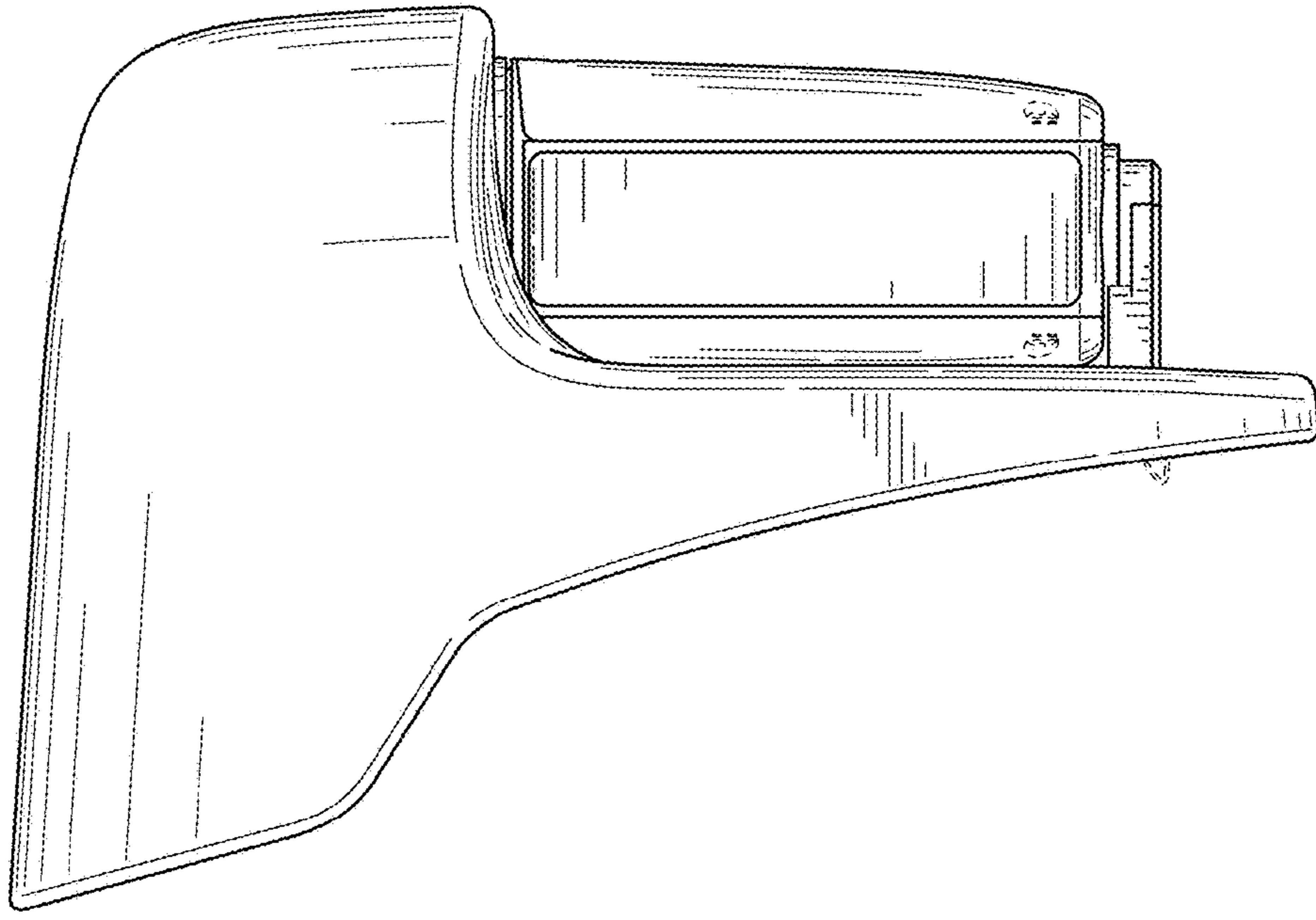


FIG. 5

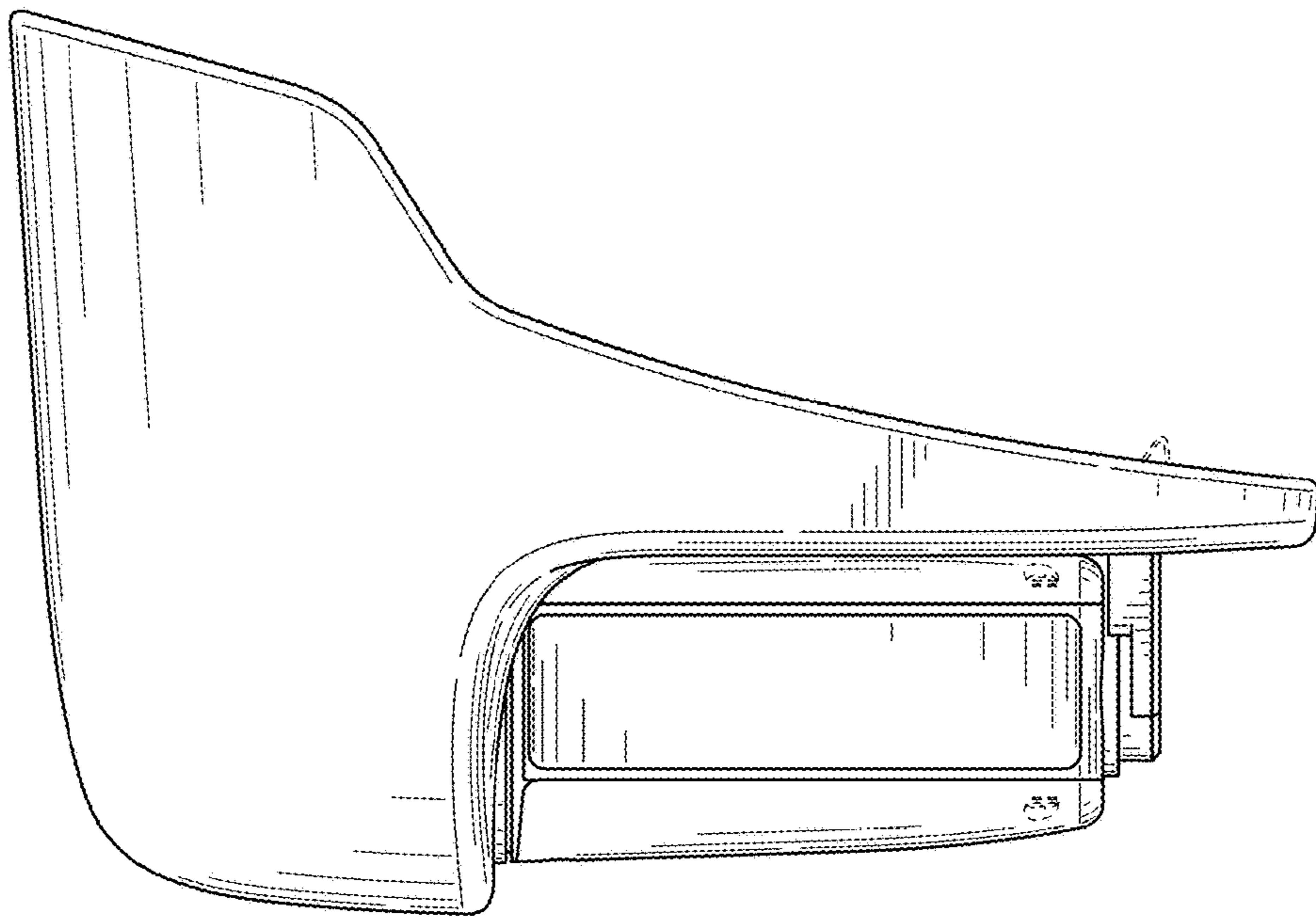


FIG. 4

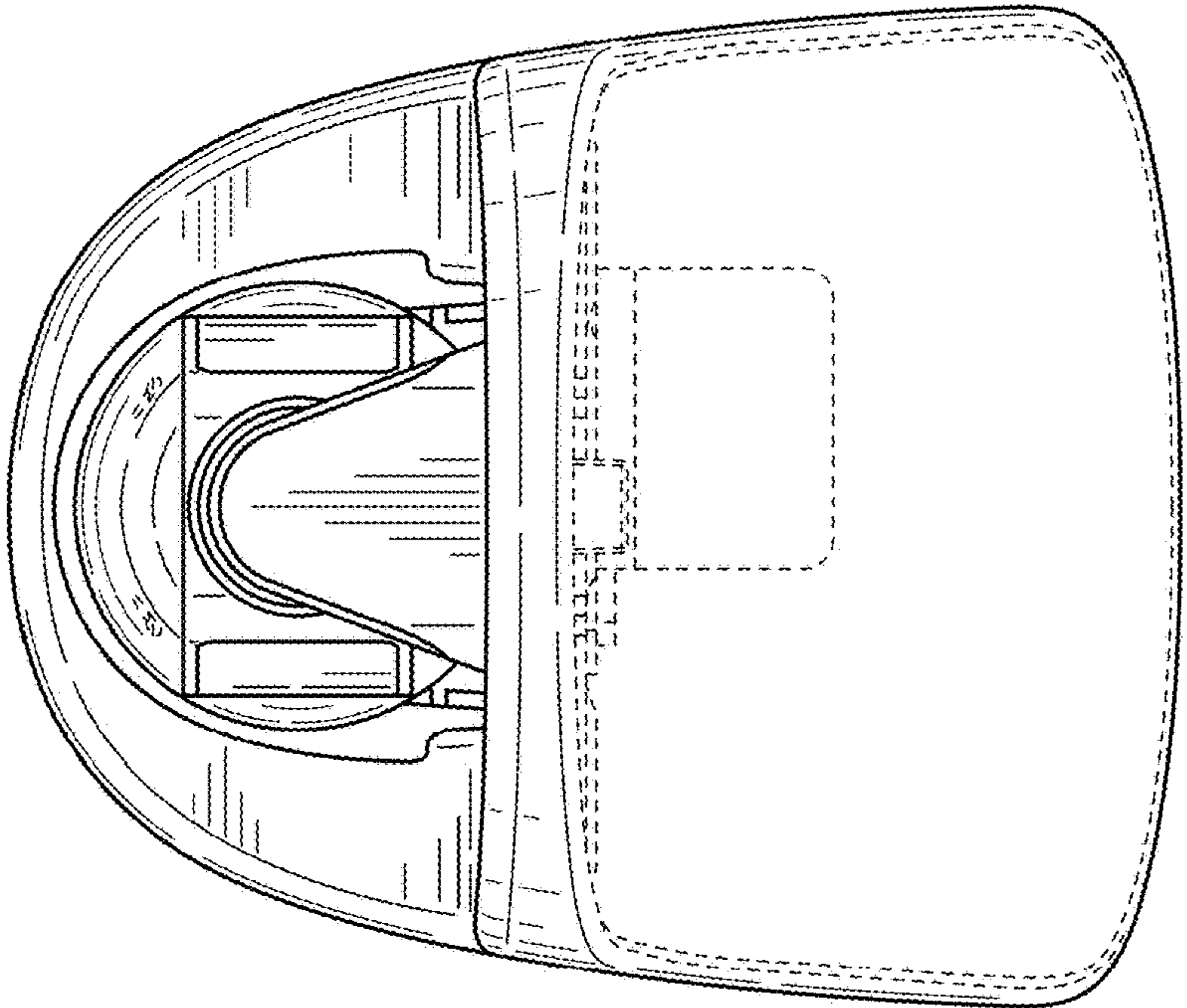


FIG. 7

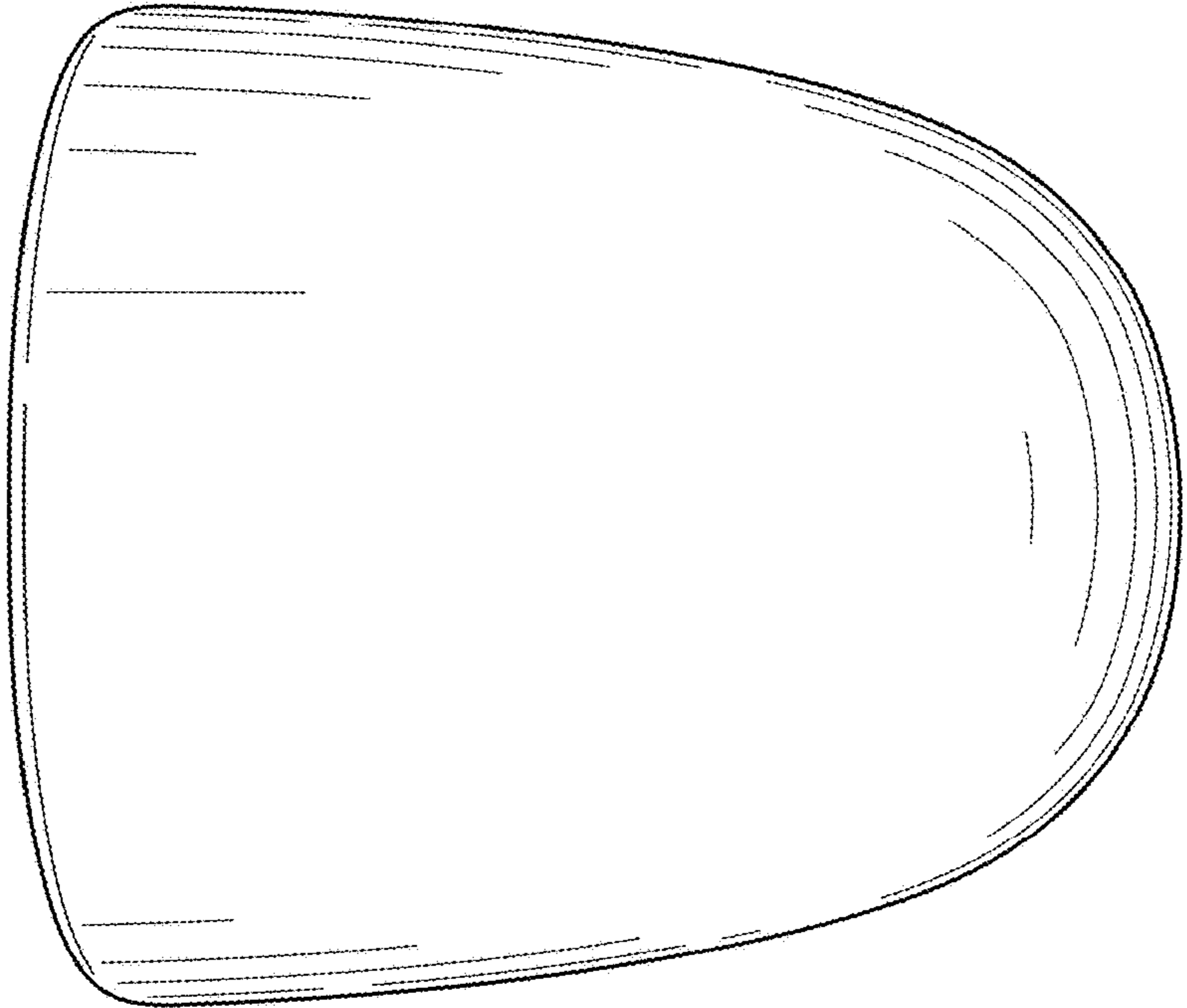


FIG. 6

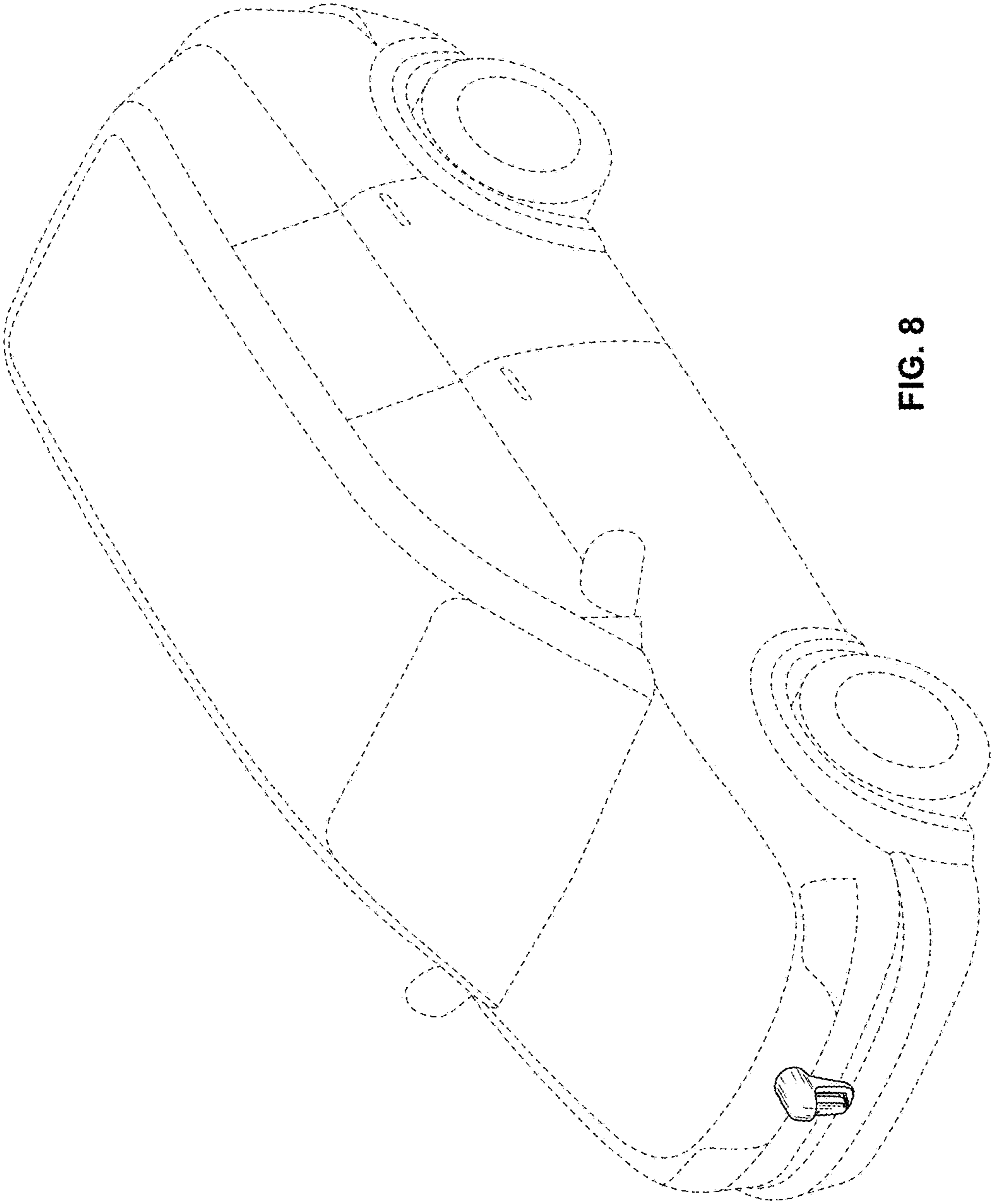


FIG. 8

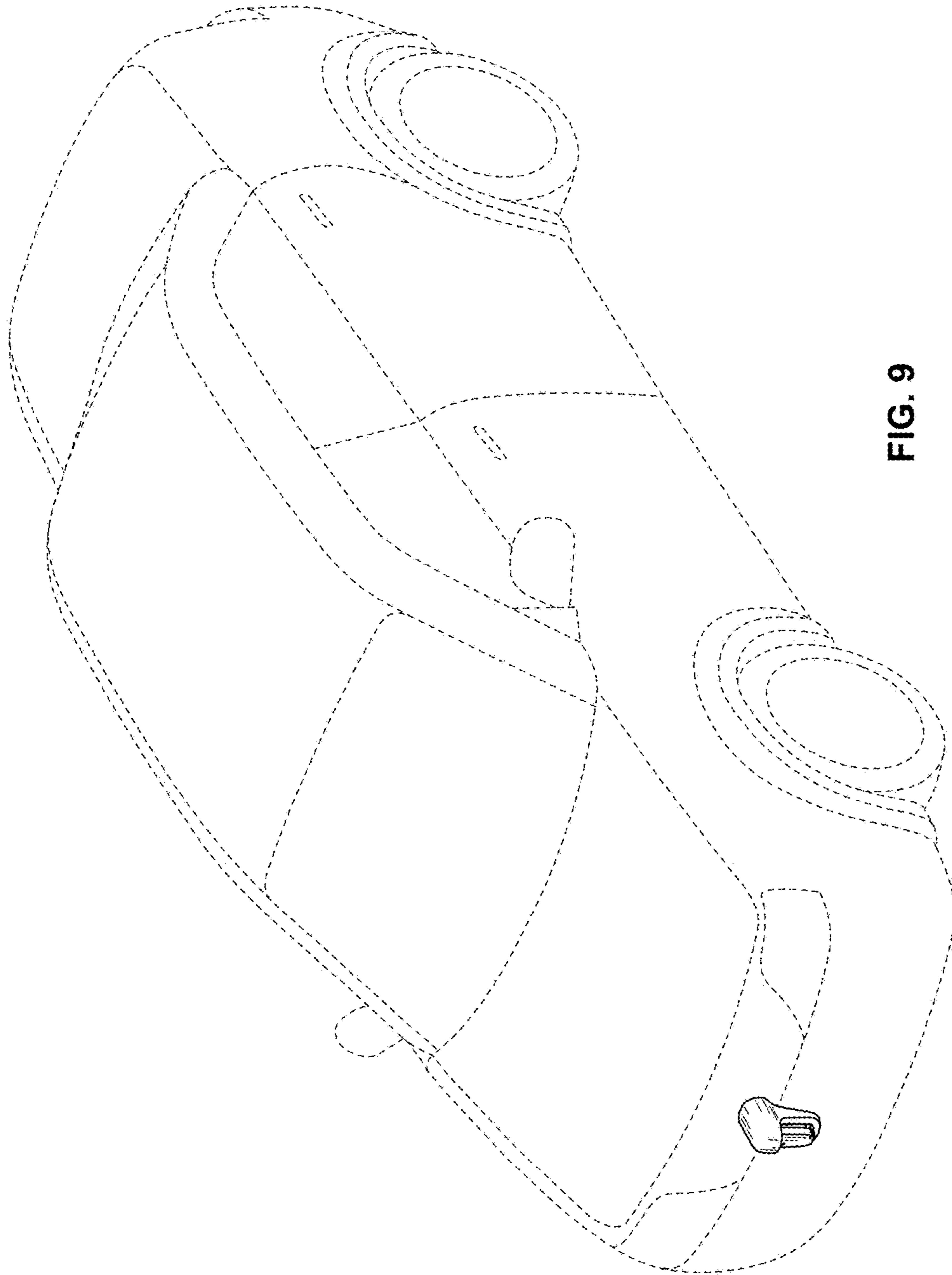


FIG. 9