



US00D834970S

(12) **United States Design Patent**
Aoki

(10) **Patent No.:** **US D834,970 S**
(45) **Date of Patent:** **** Dec. 4, 2018**

(54) **SURVEYING INSTRUMENT**

(71) Applicant: **TOPCON CORPORATION**, Tokyo (JP)

(72) Inventor: **Takeo Aoki**, Tokyo (JP)

(**) Term: **15 Years**

(21) Appl. No.: **35/503,645**

(22) Filed: **Mar. 3, 2017**

(80) **Hague Agreement Data**

Int. Filing Date: **Mar. 3, 2017**

Int. Reg. No.: **DM/095197**

Int. Reg. Date: **Mar. 3, 2017**

Int. Reg. Pub. Date: **Sep. 8, 2017**

(51) **LOC (11) Cl.** **10-04**

(52) **U.S. Cl.**
USPC **D10/66**

(58) **Field of Classification Search**
USPC D10/66, 74
CPC G01C 15/002; G01C 1/04
See application file for complete search history.

(56) **References Cited**

U.S. PATENT DOCUMENTS

D250,637 S * 12/1978 Kooi D10/66
D251,830 S * 5/1979 Joslin D10/66

D252,917 S * 9/1979 Kooi D10/66
D257,961 S * 1/1981 Kooi D10/66
D708,970 S * 7/2014 Ishii D10/66
D761,674 S * 7/2016 Nikaido D10/66
D795,720 S * 8/2017 Ishii D10/74
D795,721 S * 8/2017 Ishii D10/74
9,945,665 B2 * 4/2018 Ishida G01C 1/04
9,979,324 B2 * 5/2018 Kumagai G01C 15/002

* cited by examiner

Primary Examiner — George D. Kirschbaum

(57) **CLAIM**

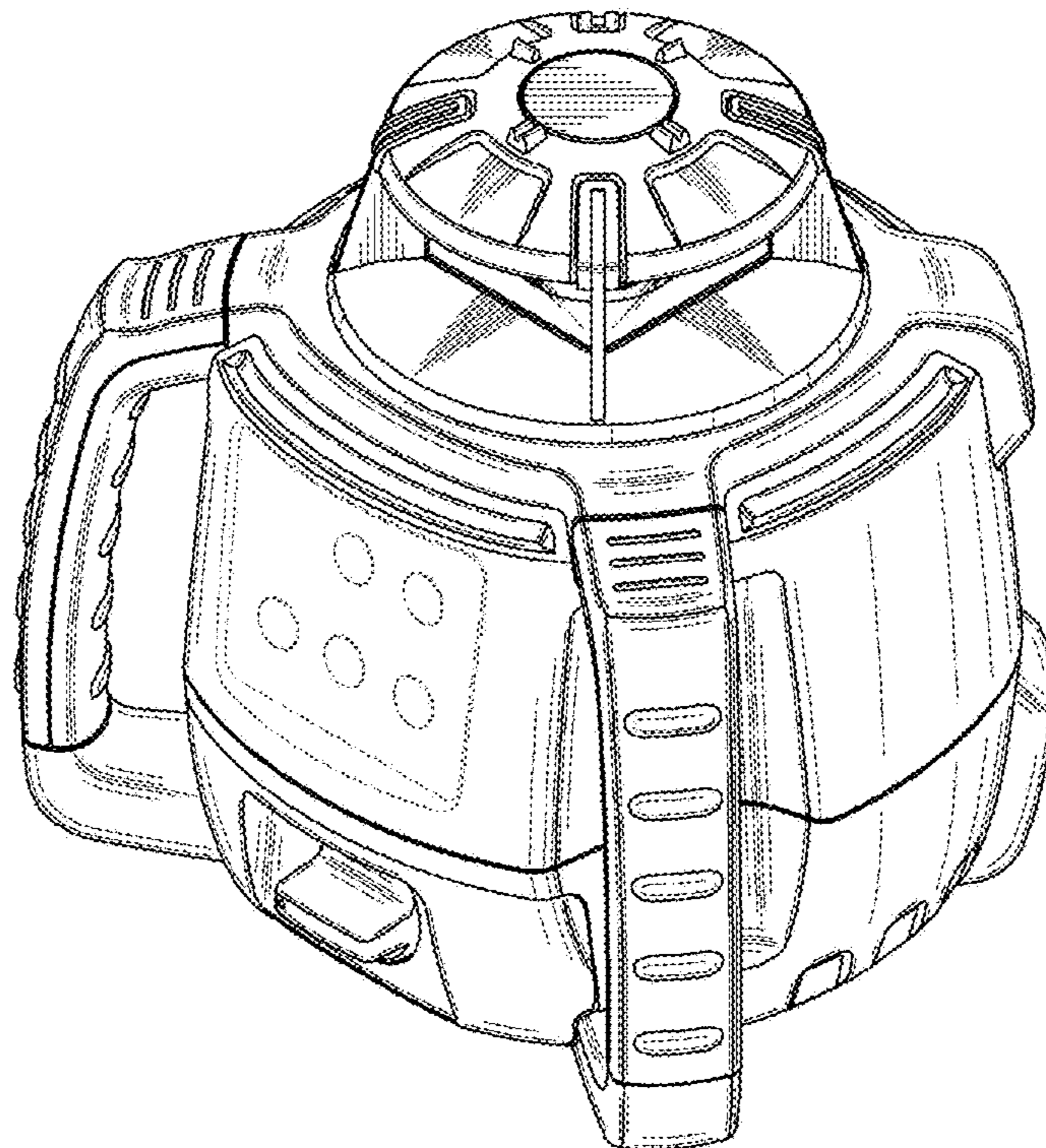
The ornamental design for a surveying instrument, as shown and described.

DESCRIPTION

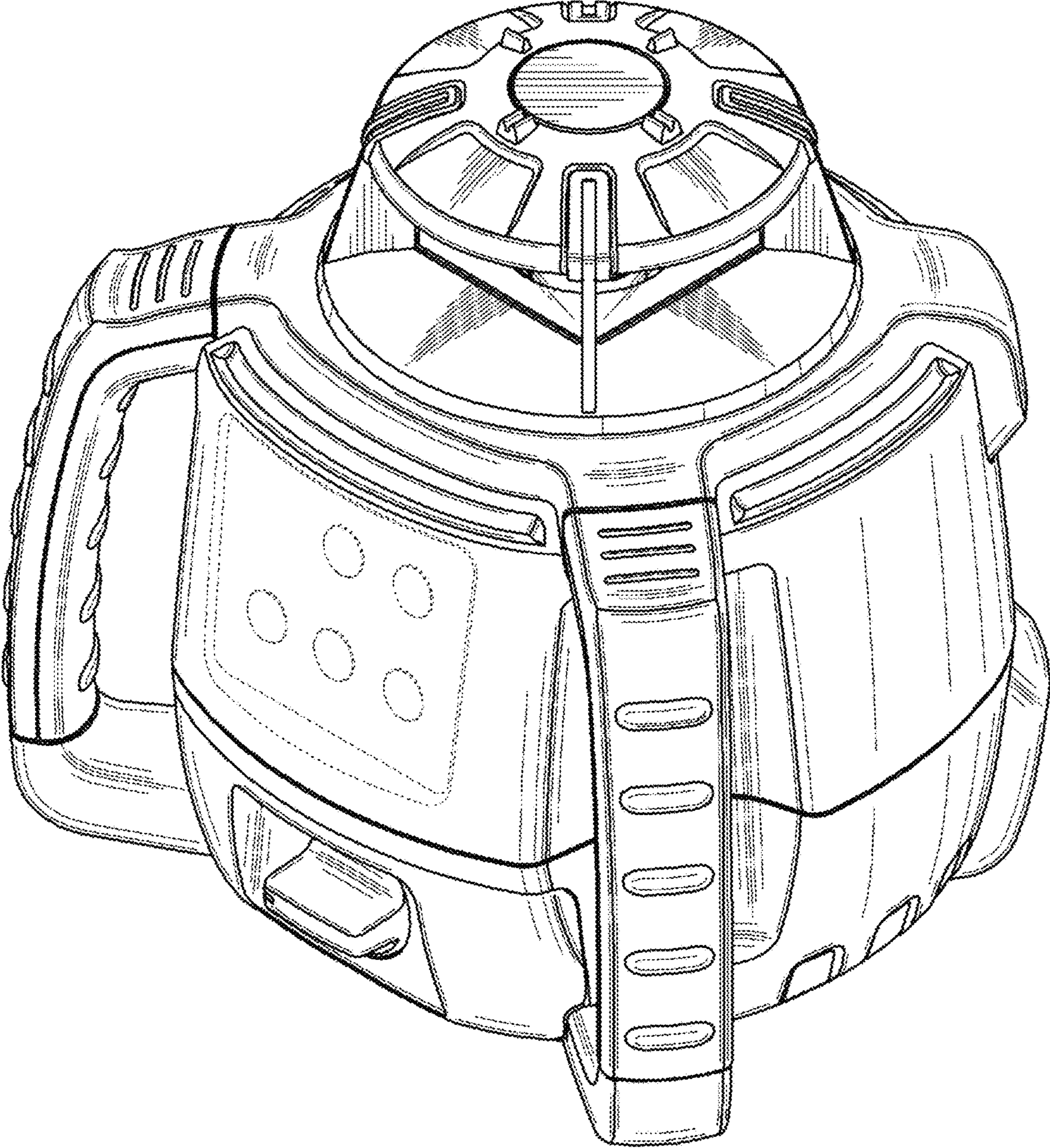
- 1. Surveying instrument
- 1.1 : Perspective
- 1.2 : Perspective
- 1.3 : Front
- 1.4 : Back
- 1.5 : Right
- 1.6 : Left
- 1.7 : Top
- 1.8 : Bottom

The broken lines depict unclaimed environmental subject matter and form no part of the claimed design.

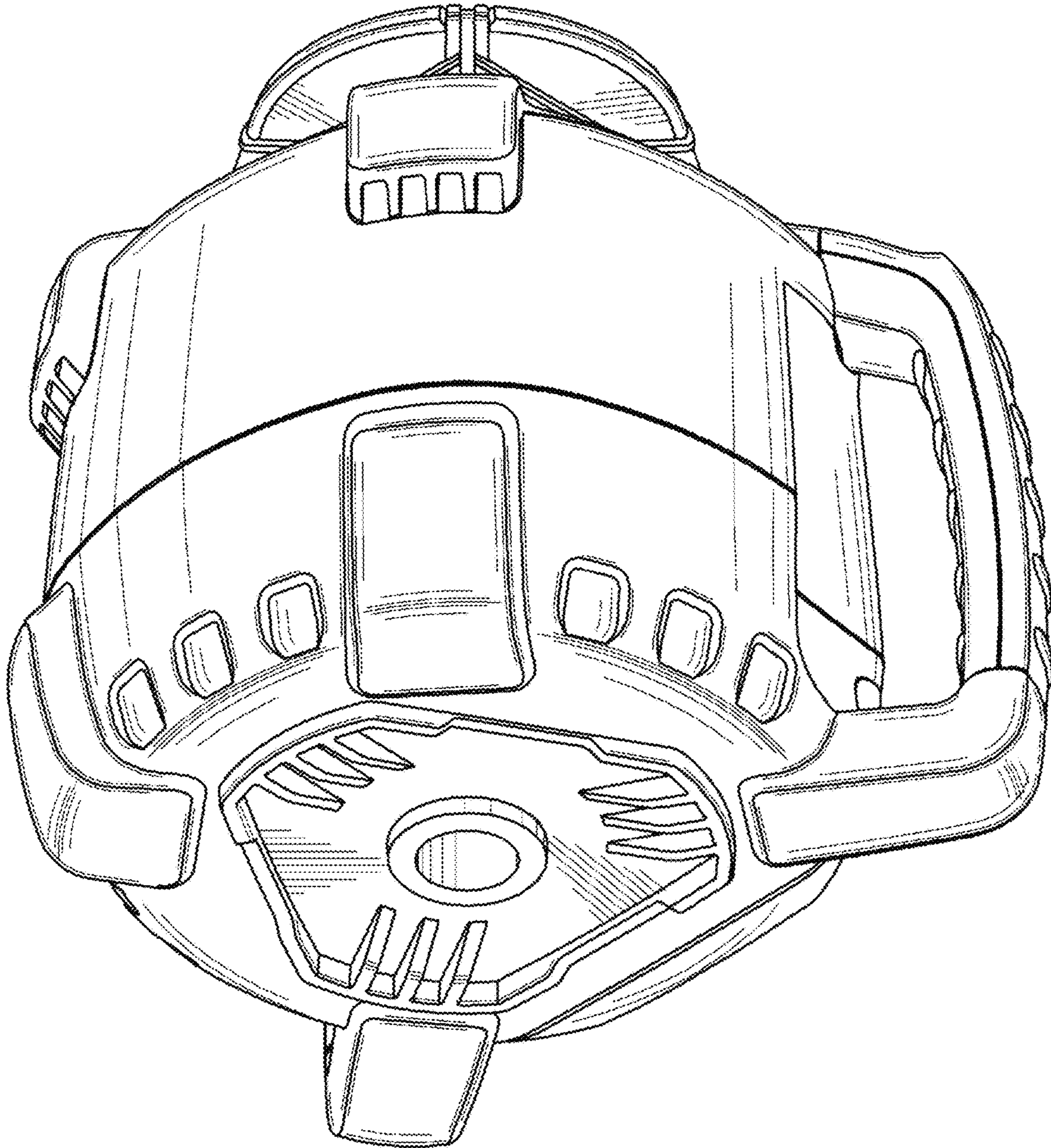
1 Claim, 8 Drawing Sheets



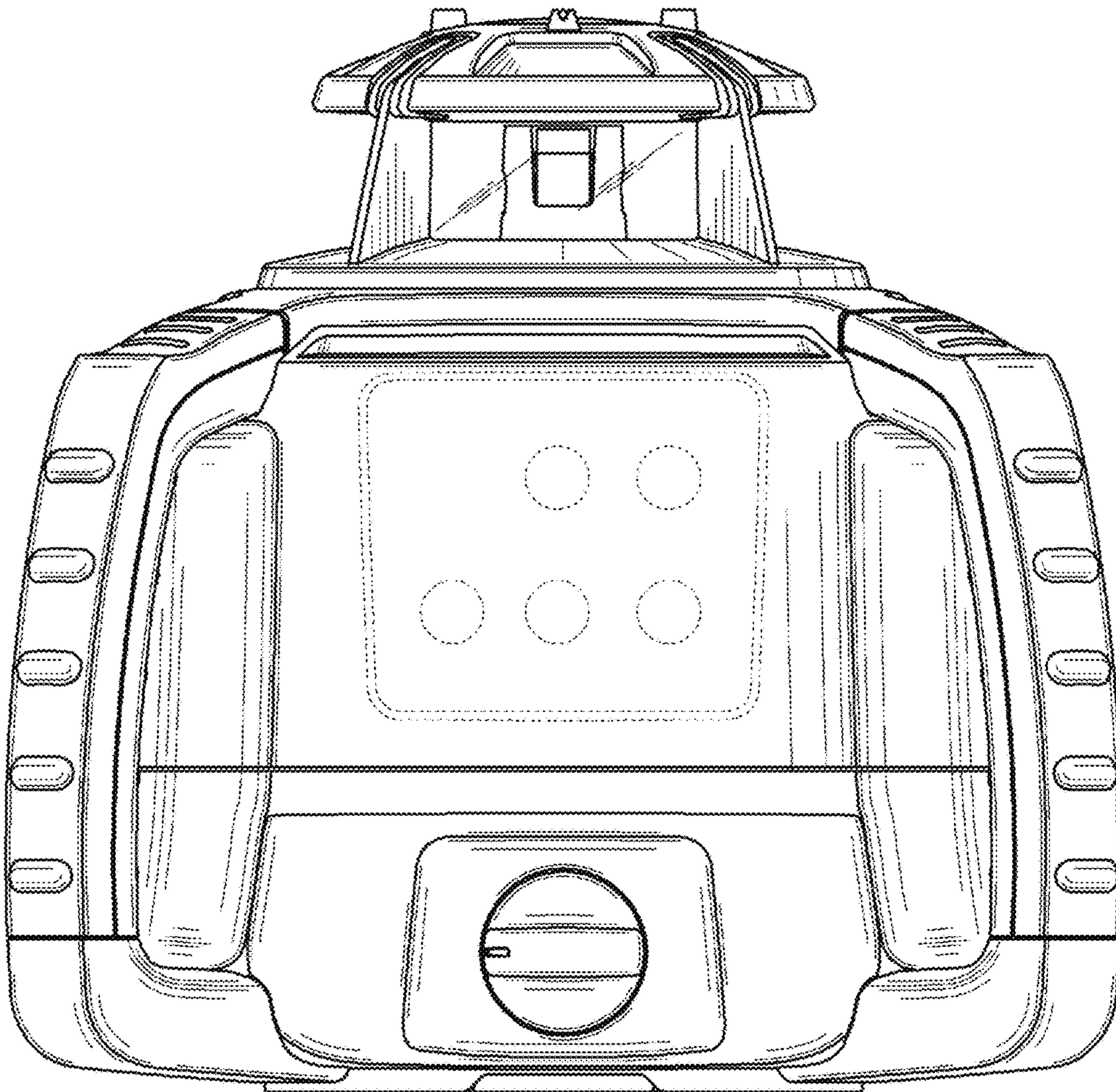
1.1



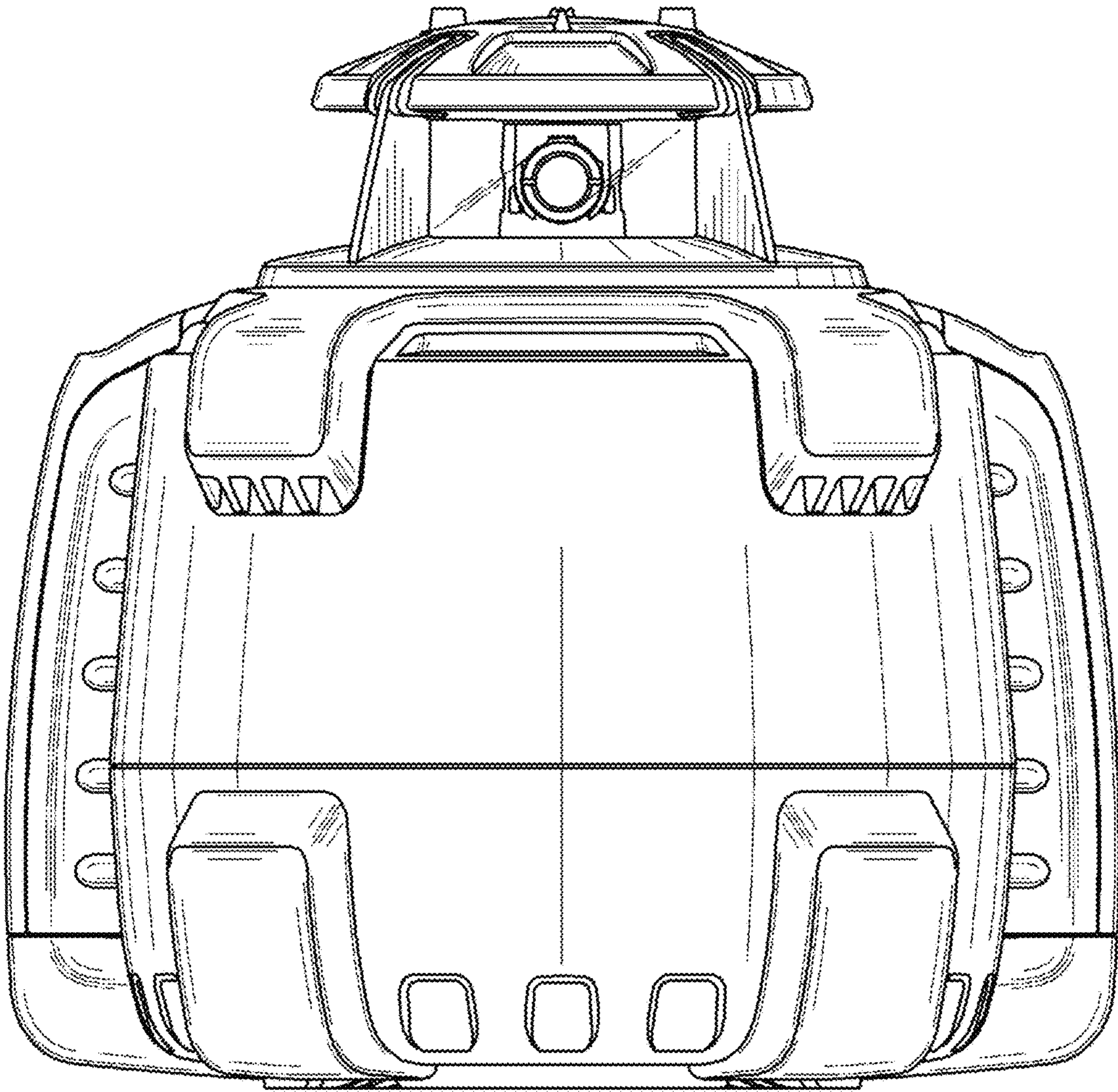
1.2



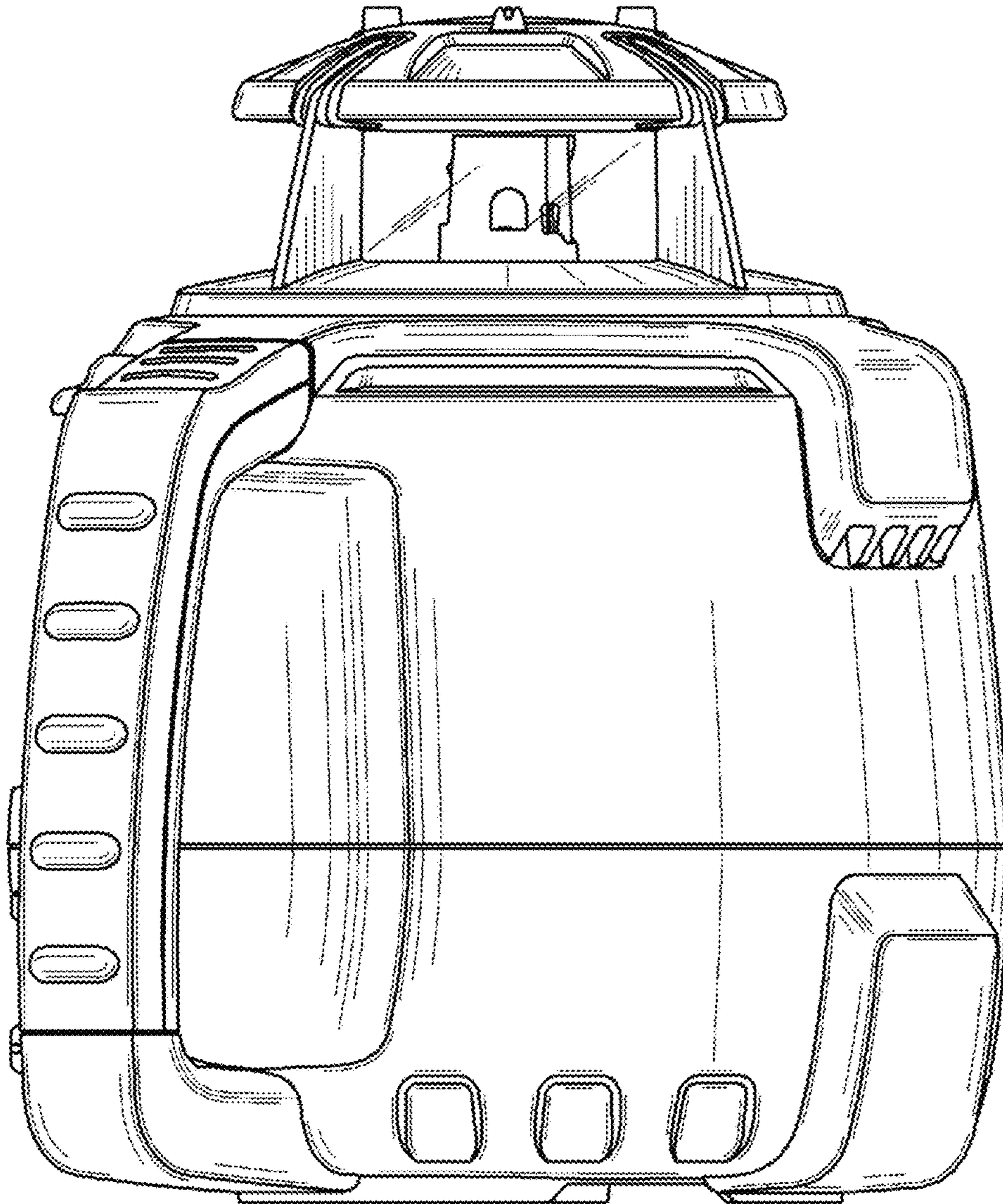
1.3



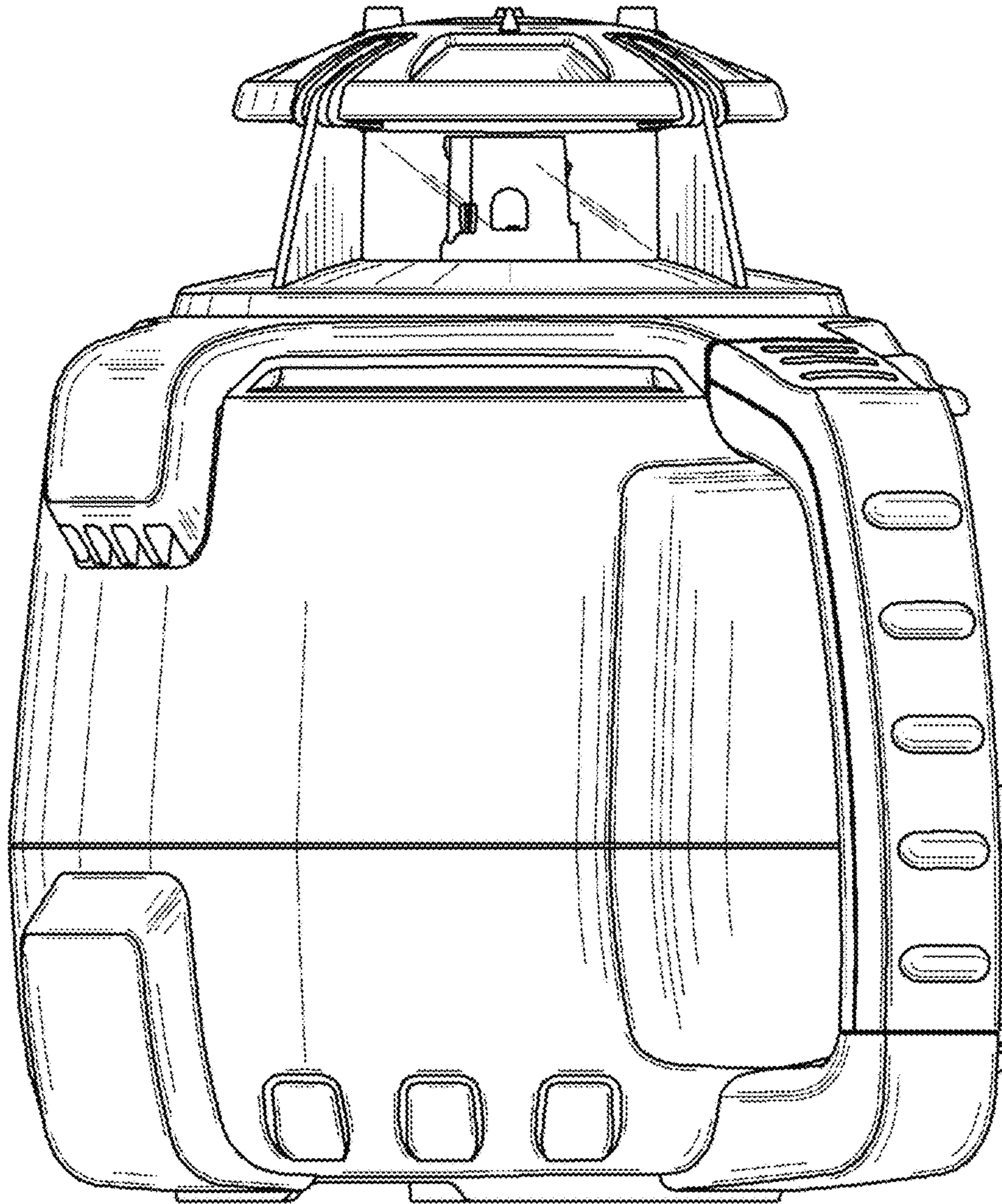
1.4



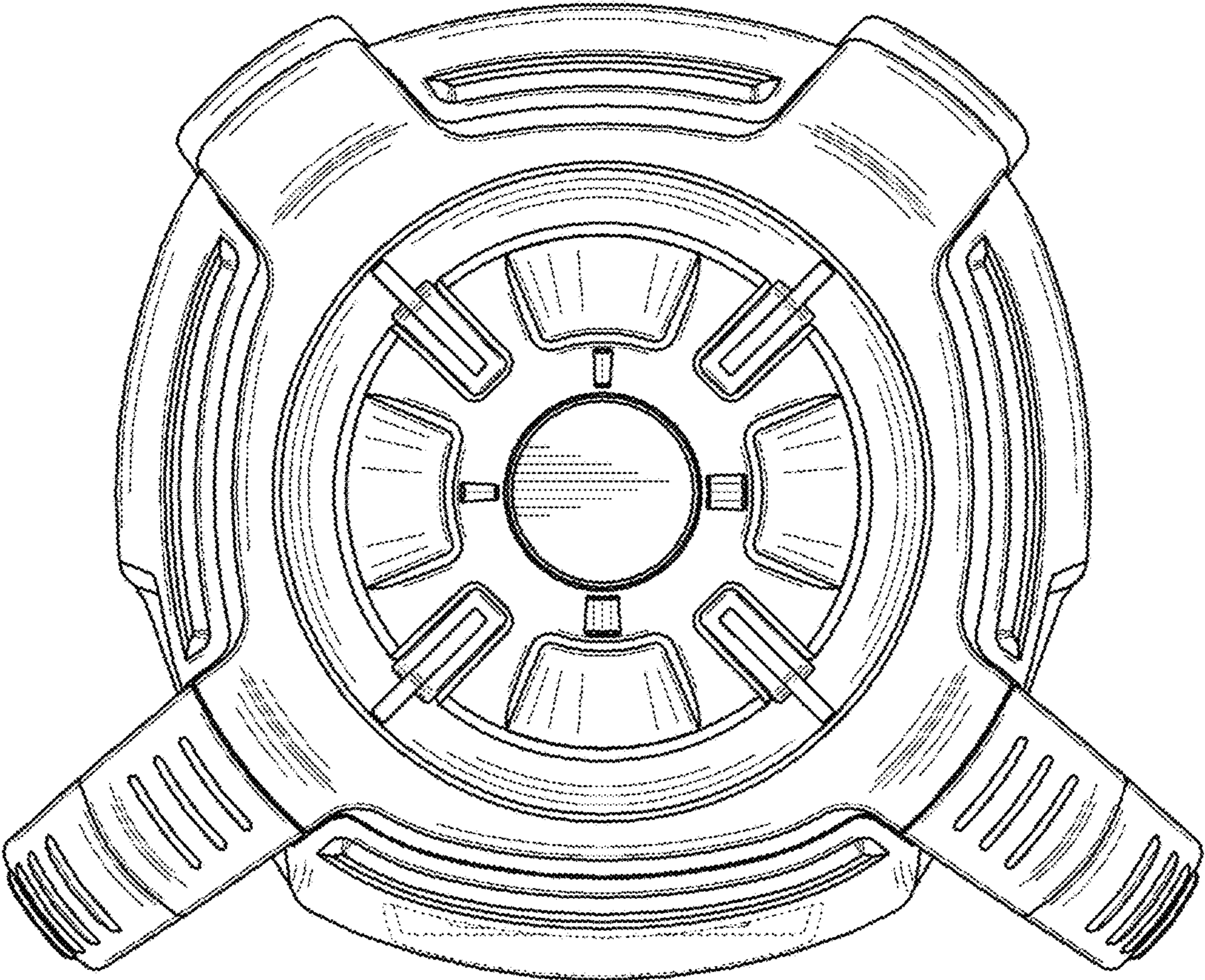
1.5



1.6



1.7



1.8

