



US00D834969S

(12) **United States Design Patent** (10) **Patent No.:** **US D834,969 S**
Ishii (45) **Date of Patent:** **** *Dec. 4, 2018**

(54) **LIGHT WAVE DISTANCE MEASURING THEODOLITE**

D450,254 S * 11/2001 Ishii D10/66
D494,074 S * 8/2004 Ishii D10/50
D526,223 S * 8/2006 Ishii D10/66

(Continued)

(71) Applicant: **TOPCON CORPORATION**, Tokyo (JP)

FOREIGN PATENT DOCUMENTS

(72) Inventor: **Mitsuo Ishii**, Tokyo (JP)

CN 3566421 * 10/2006
CN 303394147 * 9/2015

(73) Assignee: **TOPCON CORPORATION**, Tokyo (JP)

(Continued)

(*) Notice: This patent is subject to a terminal disclaimer.

OTHER PUBLICATIONS

(**) Term: **15 Years**

<https://www.topconpositioning.com/total-station-solutions/standard-total-stations/gm-100-series> Retrieved Feb. 7, 2018 (Year: 2018).*

(Continued)

(21) Appl. No.: **29/595,135**

Primary Examiner — Susan Bennett Hattan
Assistant Examiner — Leanne Was-Englehart

(22) Filed: **Feb. 24, 2017**

(74) *Attorney, Agent, or Firm* — Muncy, Geissler, Olds & Lowe, P.C.

(30) **Foreign Application Priority Data**

Dec. 21, 2016 (JP) 2016-027756

(51) **LOC (11) Cl.** **10-04**

(52) **U.S. Cl.**
USPC **D10/66**

(58) **Field of Classification Search**

USPC D10/66, 69, 70
CPC G01C 1/00-1/14; G01C 15/002; G02B 27/141

See application file for complete search history.

(57) **CLAIM**

The ornamental design for a light wave distance measuring theodolite, as shown and described.

DESCRIPTION

The patent or application file contains a least one drawing executed in color. Copies of this patent or patent application publication with color drawing(s) will be provided by the Office upon request and payment of the necessary fee.

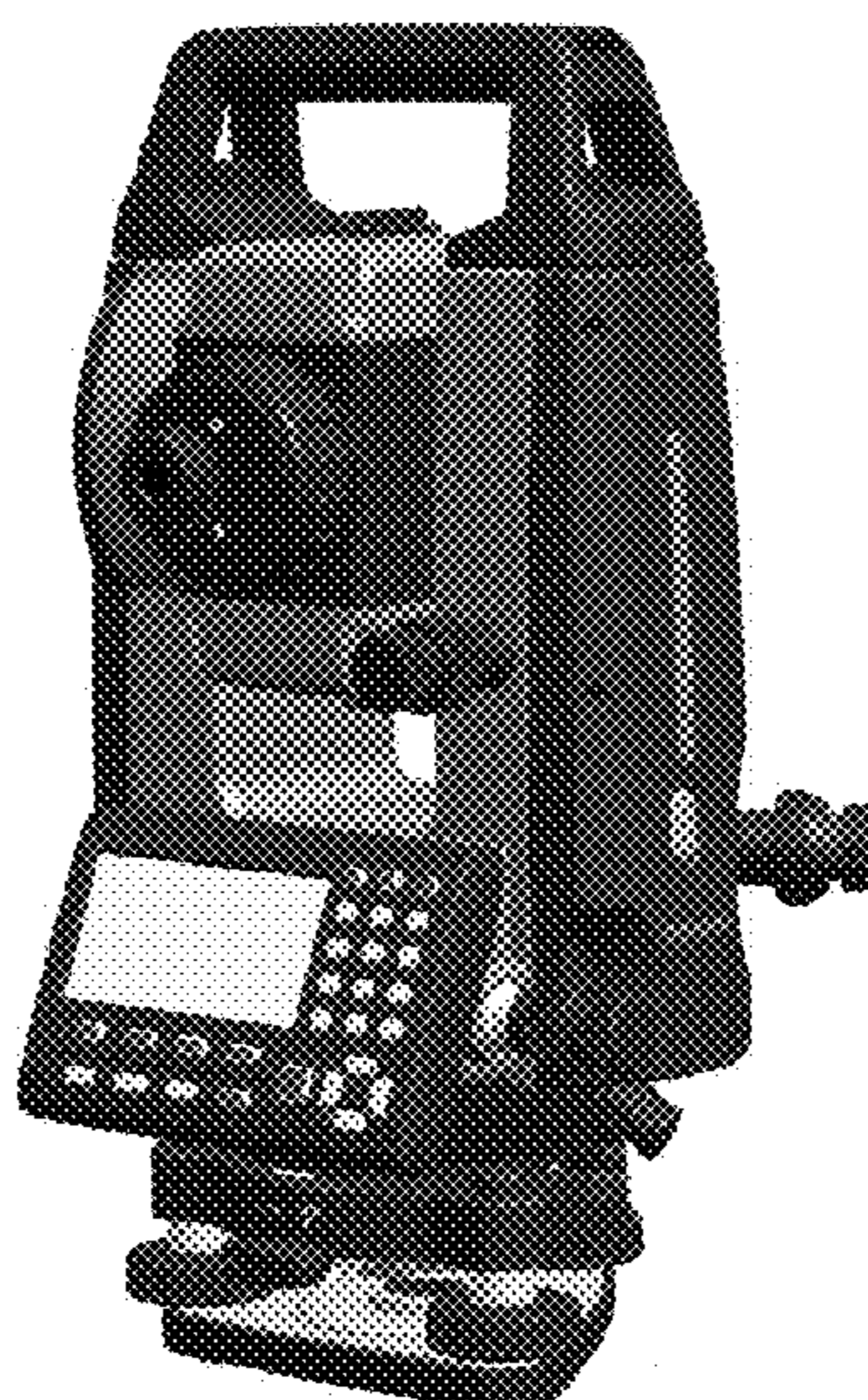
FIG. 1 is a front, right top perspective view of a light wave distance measuring theodolite showing my new design;
FIG. 2 is a rear, left, top perspective view thereof;
FIG. 3 is a bottom plan view thereof;
FIG. 4 is a front elevational view thereof;
FIG. 5 is a right side elevational view thereof;
FIG. 6 is a left side elevational view thereof;
FIG. 7 is a top plan view thereof; and,
FIG. 8 is rear elevational view thereof.

(56) **References Cited**

U.S. PATENT DOCUMENTS

D367,233 S * 2/1996 Hoshino D10/66
D375,464 S * 11/1996 Hoshino D10/66
D389,418 S * 1/1998 Takayama D10/66
D409,507 S * 5/1999 Ishii D10/66
D427,087 S * 6/2000 Kaneko D10/66
D447,066 S * 8/2001 Takayama D10/66

1 Claim, 8 Drawing Sheets
(8 of 8 Drawing Sheet(s) Filed in Color)



(56)

References Cited

U.S. PATENT DOCUMENTS

D526,588 S * 8/2006 Johansson D10/66
 D531,921 S * 11/2006 Banba D10/66
 D532,325 S * 11/2006 Tokuda D10/66
 D558,075 S * 12/2007 Ishii D10/66
 D576,062 S * 9/2008 Hayamizu D10/66
 D605,959 S * 12/2009 Apotheloz D10/66
 7,764,809 B2 * 7/2010 Ohtomo G01C 15/002
 382/106
 D629,314 S * 12/2010 Ogasawara D10/66
 D635,475 S * 4/2011 Kludas D10/66
 D684,068 S * 6/2013 Ishii D10/66
 D684,069 S * 6/2013 Ishii D10/66
 D723,398 S * 3/2015 Ishii D10/66
 D766,753 S * 9/2016 Ishii D10/66
 D766,754 S * 9/2016 Aoki D10/66
 D768,516 S * 10/2016 Aoki D10/66
 D777,588 S * 1/2017 Aoki D10/66
 D778,745 S * 2/2017 Ishii D10/66
 D781,730 S * 3/2017 Ishii D10/66
 D781,731 S * 3/2017 Ishii D10/66
 D787,345 S * 5/2017 Ishii D10/66

D795,720 S * 8/2017 Ishii D10/74
 D795,721 S * 8/2017 Ishii D10/74
 2007/0064217 A1 * 3/2007 Li G01C 1/02
 356/5.01
 2008/0120856 A1 * 5/2008 Matsuo G01C 1/04
 33/299
 2017/0307370 A1 * 10/2017 Tanaka G01C 1/02

FOREIGN PATENT DOCUMENTS

CN 303408064 * 10/2015
 JP D1458073 * 12/2012
 JP D1541083 * 12/2015

OTHER PUBLICATIONS

https://www.topconpositioning.com/sites/default/files/product_files/gm-100_series_broch_7010_2235_reva_sm.pdf Available Nov. 30, 2017 (Year: 2017).*
<http://www.worldoftest.com/total-station> Available Dec. 15, 2016 (Year: 2016).*

* cited by examiner



FIG. 1

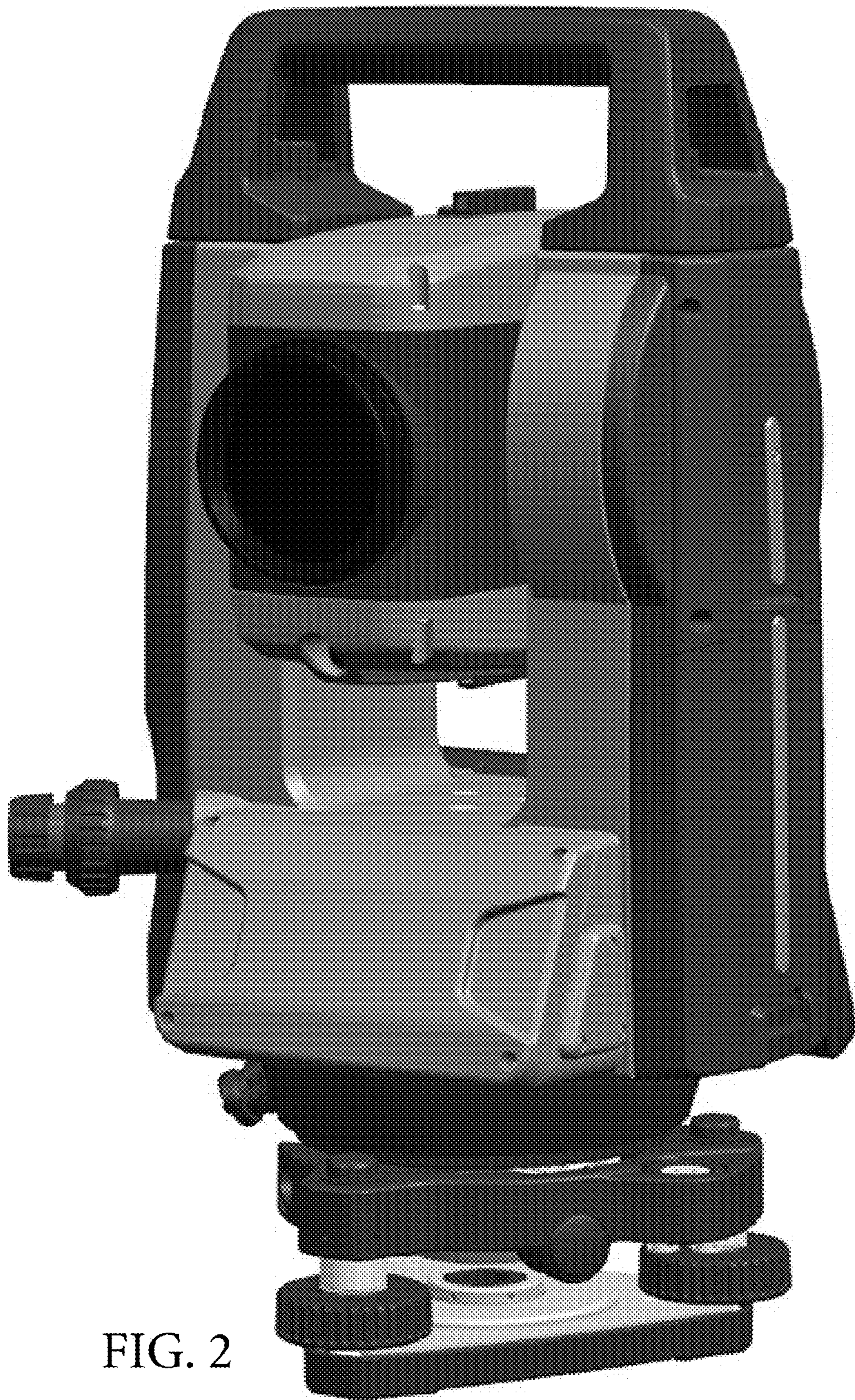


FIG. 2

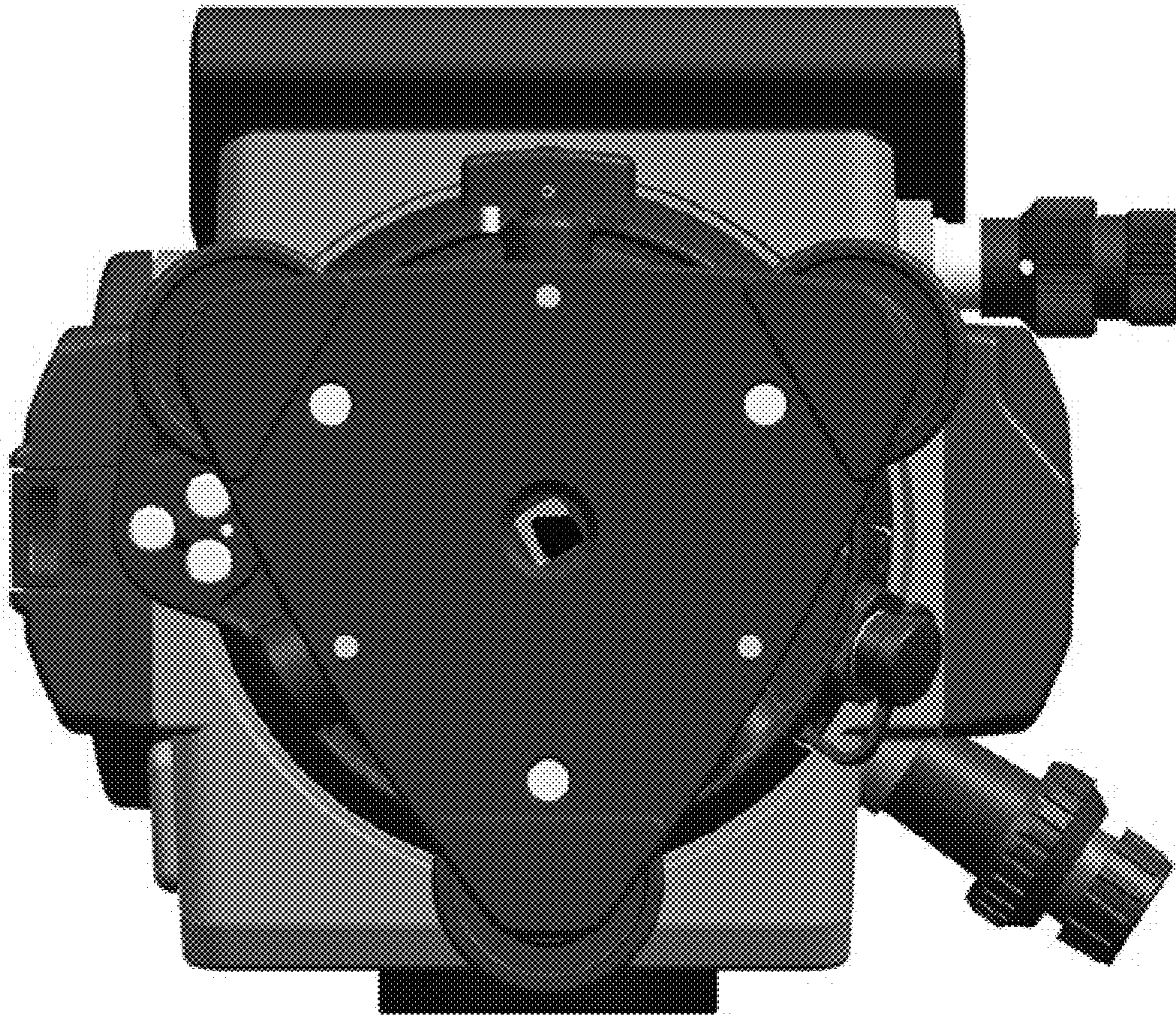


FIG. 3



FIG. 4

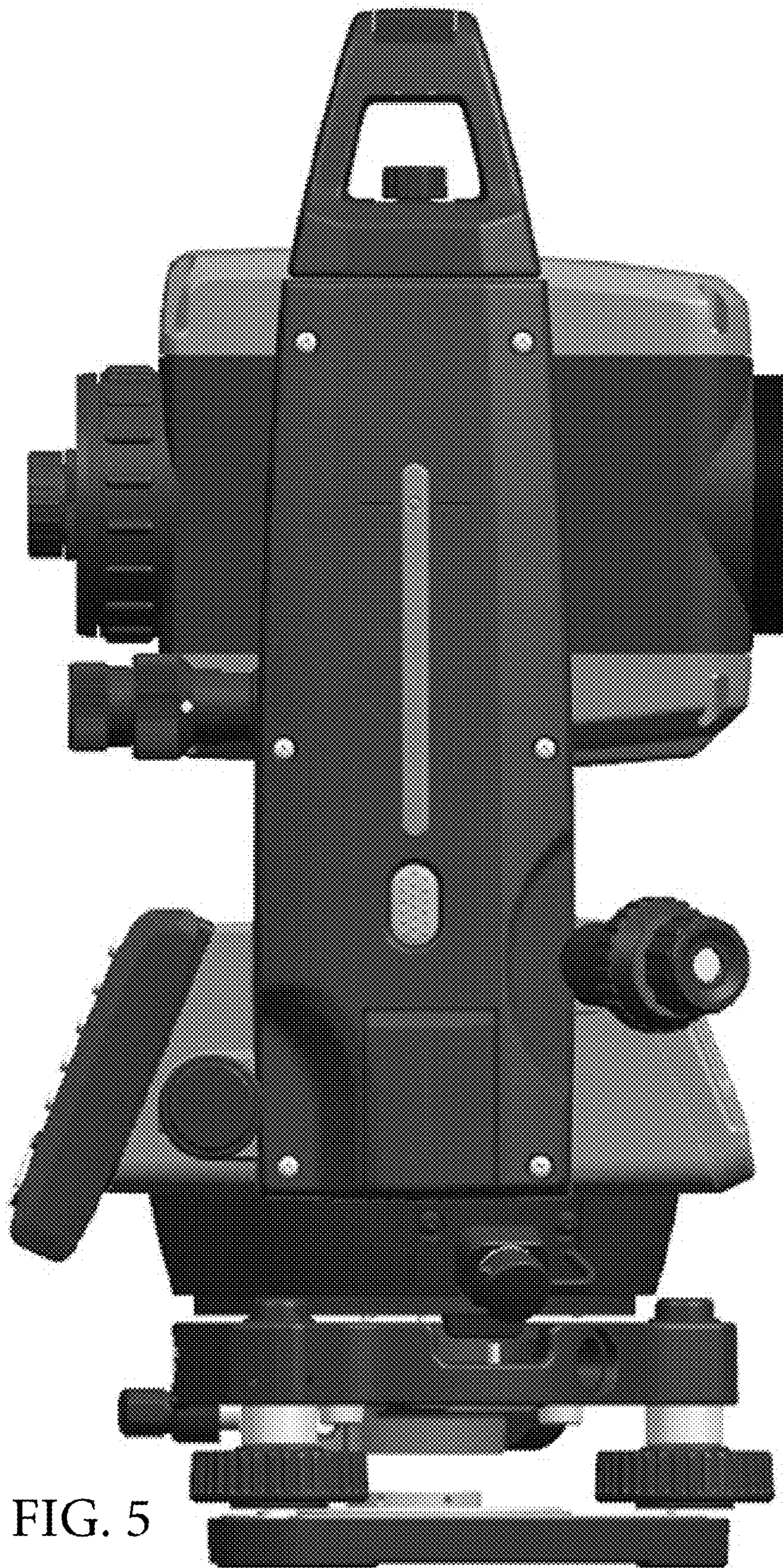


FIG. 5

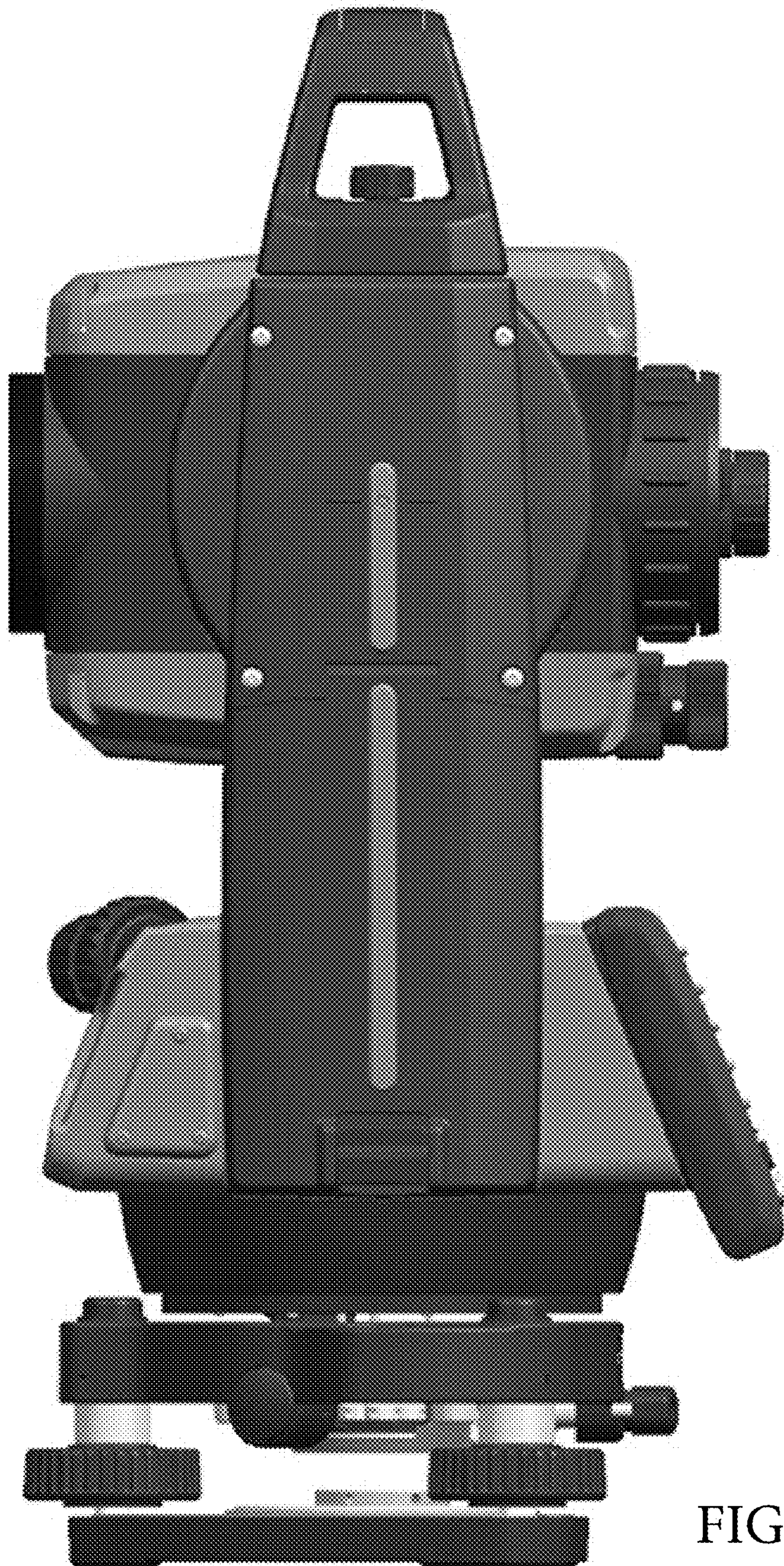


FIG. 6

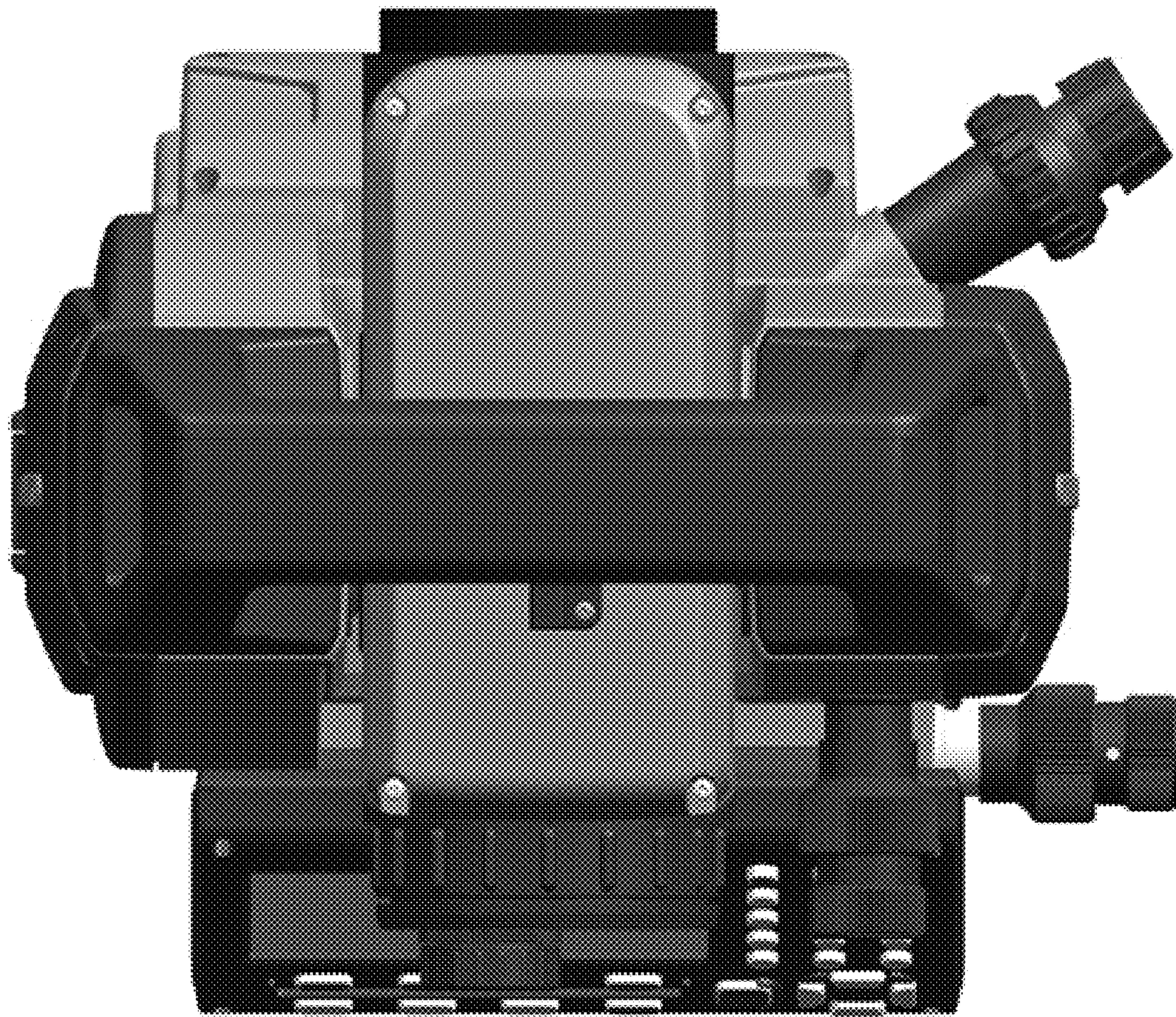


FIG. 7

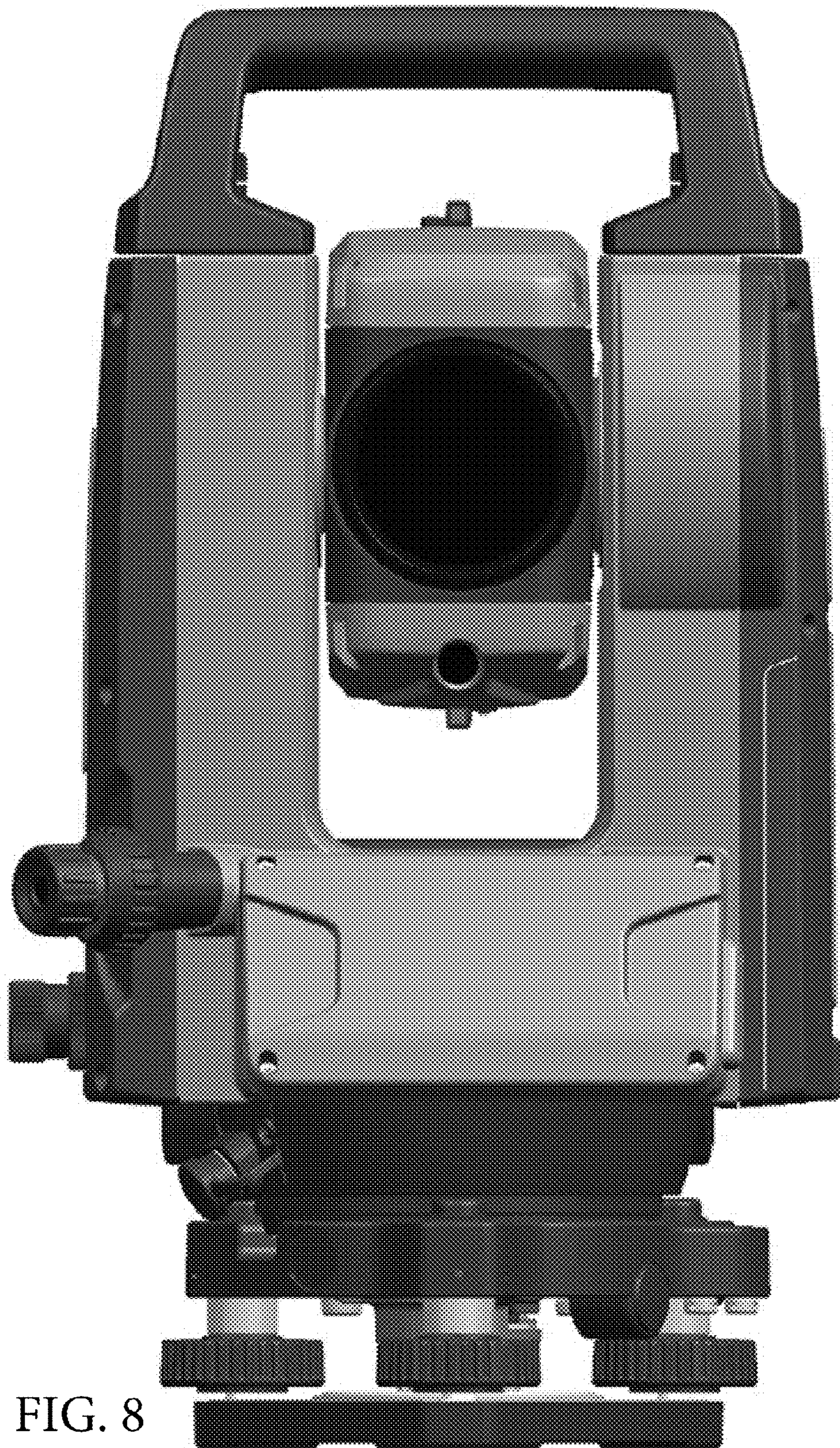


FIG. 8