



US00D834965S

(12) **United States Design Patent**
Liu

(10) **Patent No.:** **US D834,965 S**

(45) **Date of Patent:** **** Dec. 4, 2018**

(54) **IN-LINE THERMOMETER**

8,764,289 B2 * 7/2014 Parsons G01K 1/14
374/179

(71) Applicant: **Zhi Liu**, Hunan (CN)

* cited by examiner

(72) Inventor: **Zhi Liu**, Hunan (CN)

Primary Examiner — Antoine D Davis

(73) Assignee: **XIAMEN BANDIAN ORIGINALITY TECHNOLOGY CO., LTD.**, Xiamen, Fujian Province (CN)

(74) *Attorney, Agent, or Firm* — U.S. Fairsky LLP; Yue (Robert) Xu

(57) **CLAIM**

The ornamental design for an in-line thermometer, as shown and described.

(**) Term: **15 Years**

DESCRIPTION

(21) Appl. No.: **29/607,506**

FIG. 1 is a perspective view of an in-line thermometer according to the present application;

(22) Filed: **Jun. 14, 2017**

FIG. 2 is another perspective view of the in-line thermometer according to the present application;

(51) **LOC (11) Cl.** **10-04**

FIG. 3 is a top view of the in-line thermometer according to the present application;

(52) **U.S. Cl.**
USPC **D10/57**

FIG. 4 is a bottom view of the in-line thermometer according to the present application;

(58) **Field of Classification Search**
USPC D10/57

FIG. 5 is a front view of the in-line thermometer according to the present application;

CPC G01K 1/14; G01K 13/00; G01K 13/02; G01K 13/022; G01K 2013/024; G01K 2013/026; G01K 13/028
See application file for complete search history.

FIG. 6 is a rear view of the in-line thermometer according to the present application;

(56) **References Cited**

FIG. 7 is a left view of the in-line thermometer according to the present application; and,

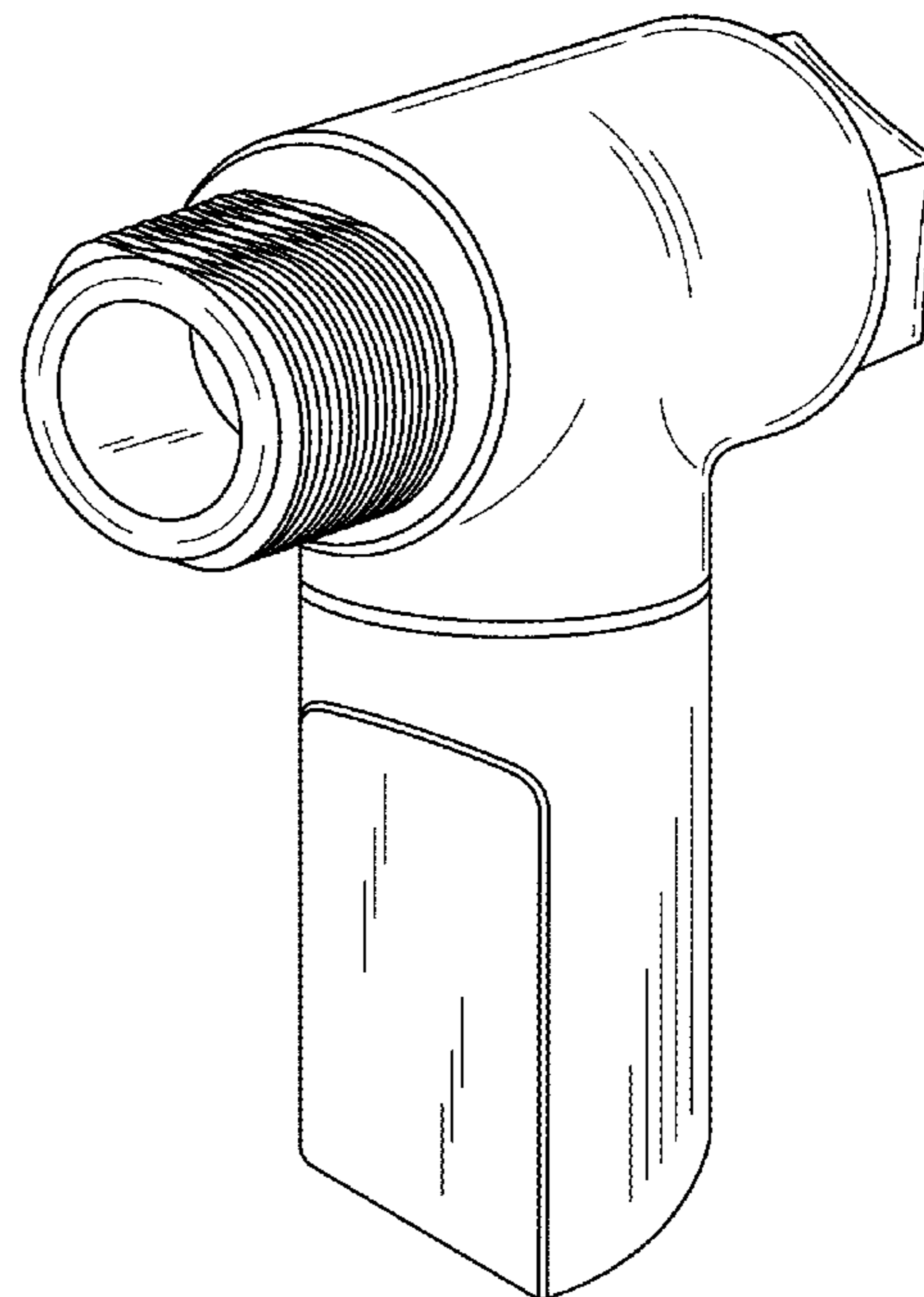
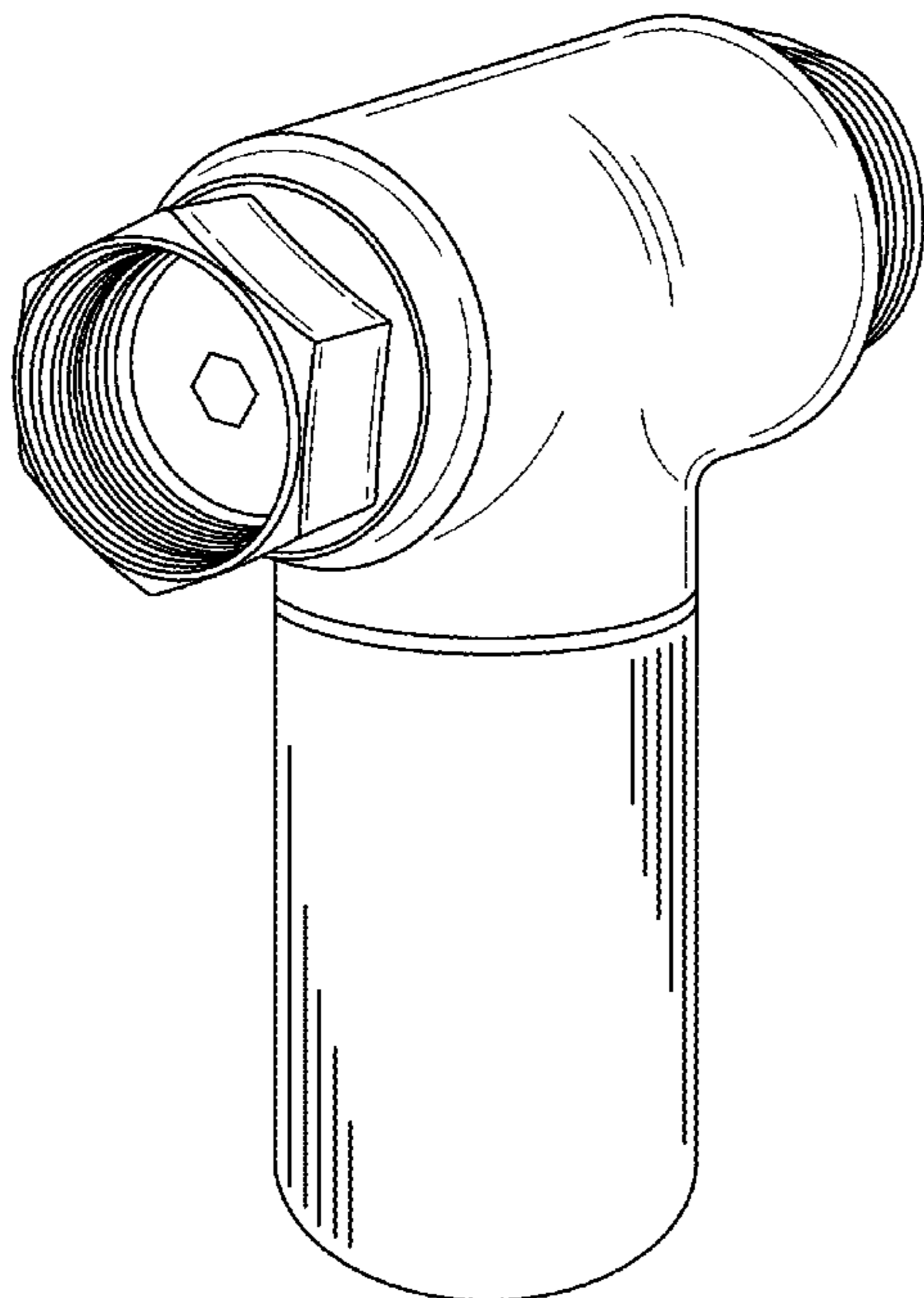
U.S. PATENT DOCUMENTS

FIG. 8 is a right view of the in-line thermometer according to the present application.

7,192,187 B2 * 3/2007 Blichmann G01K 1/14
374/141

The hex nut, shown at the top left of FIG. 1 and in various other figures, is free rotating. The rotational position of the hex nut is not claimed.

1 Claim, 7 Drawing Sheets



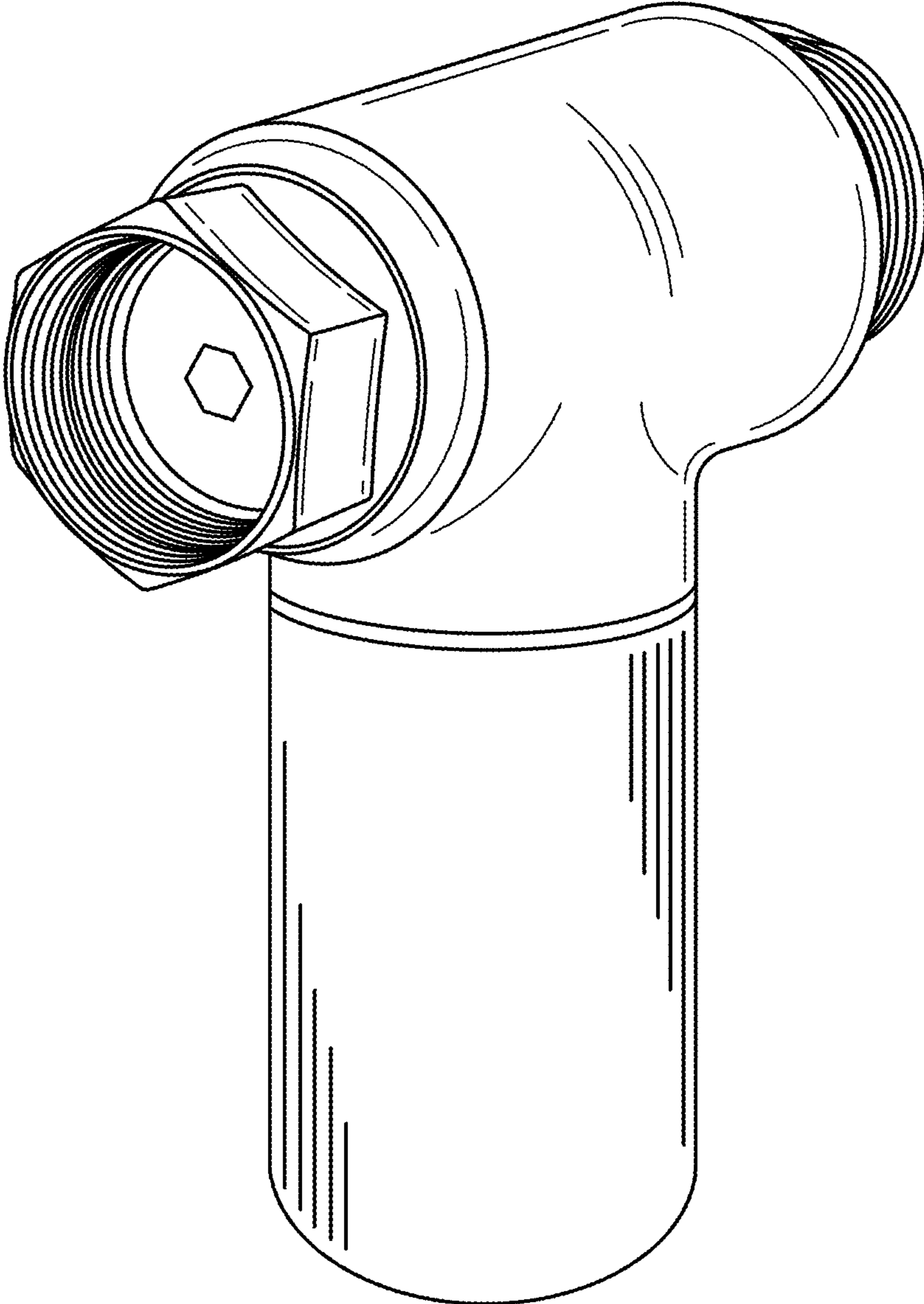


FIG. 1

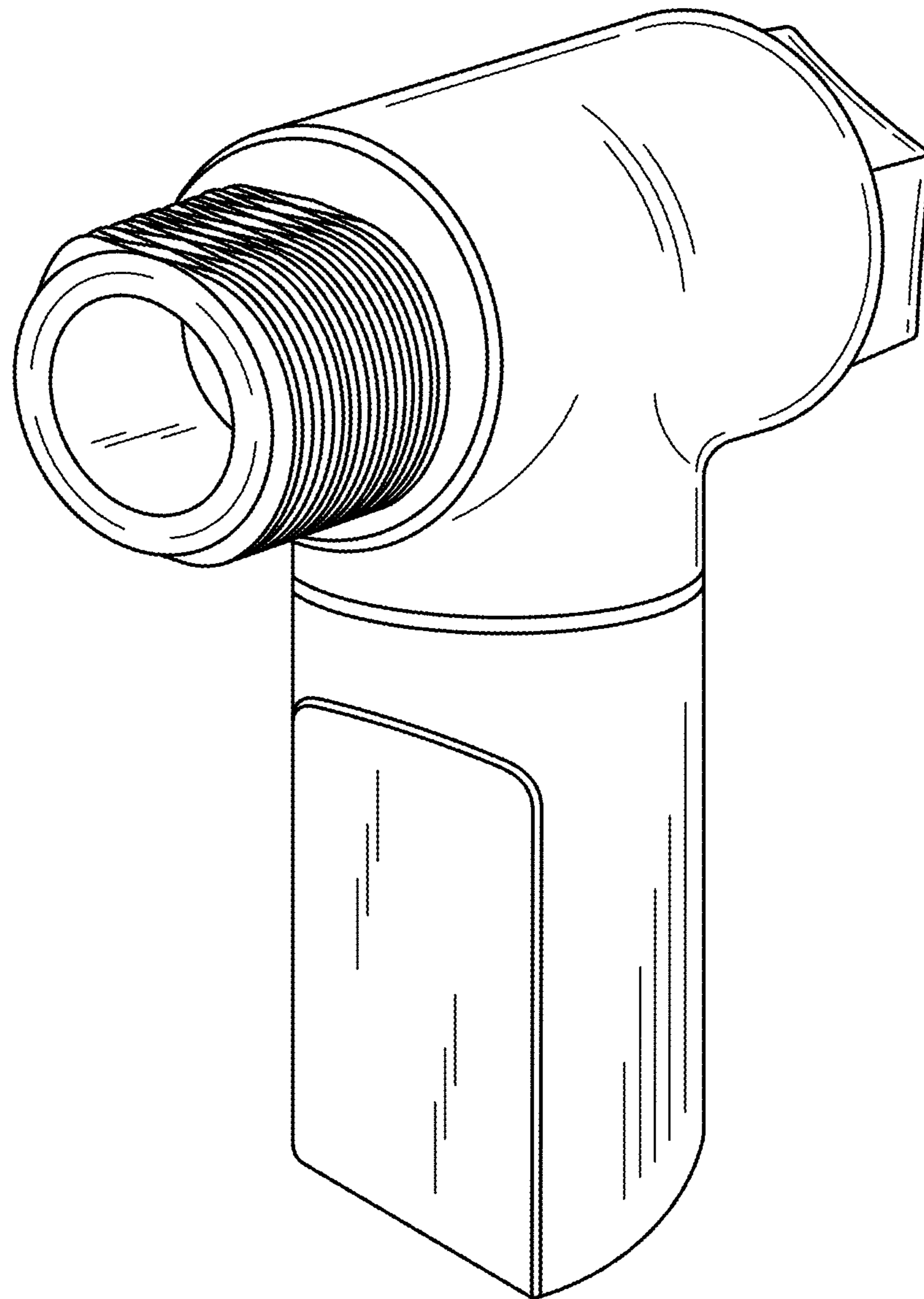


FIG. 2

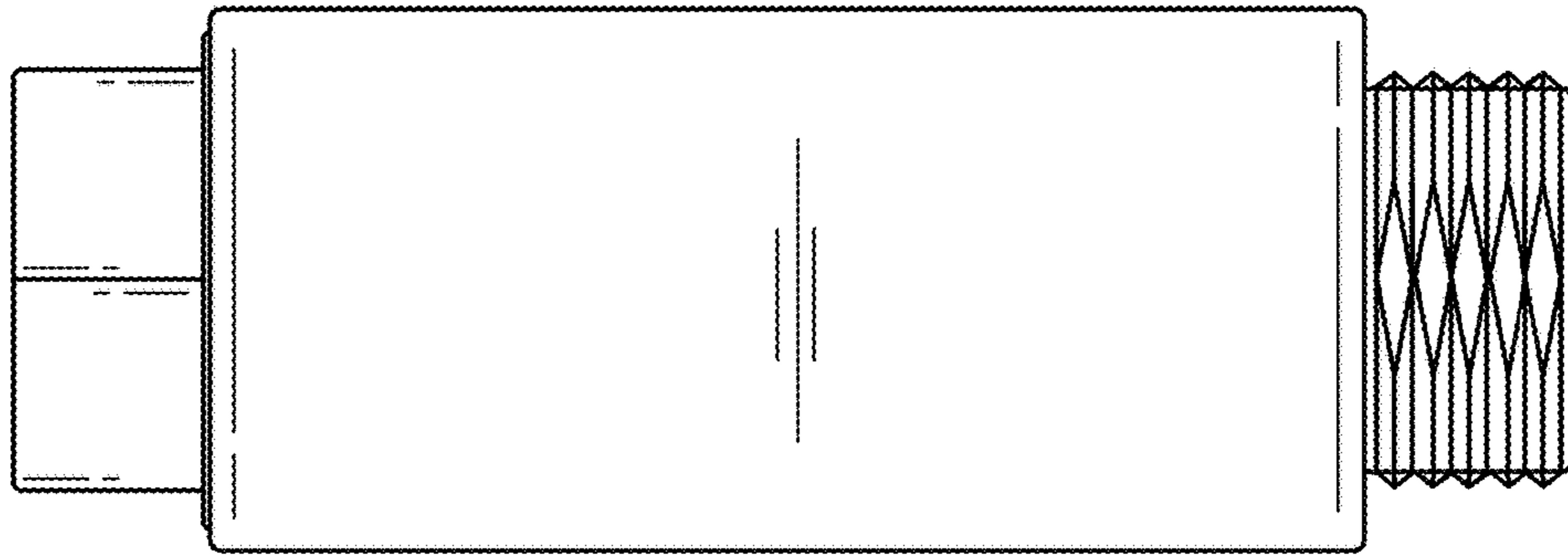


FIG. 3

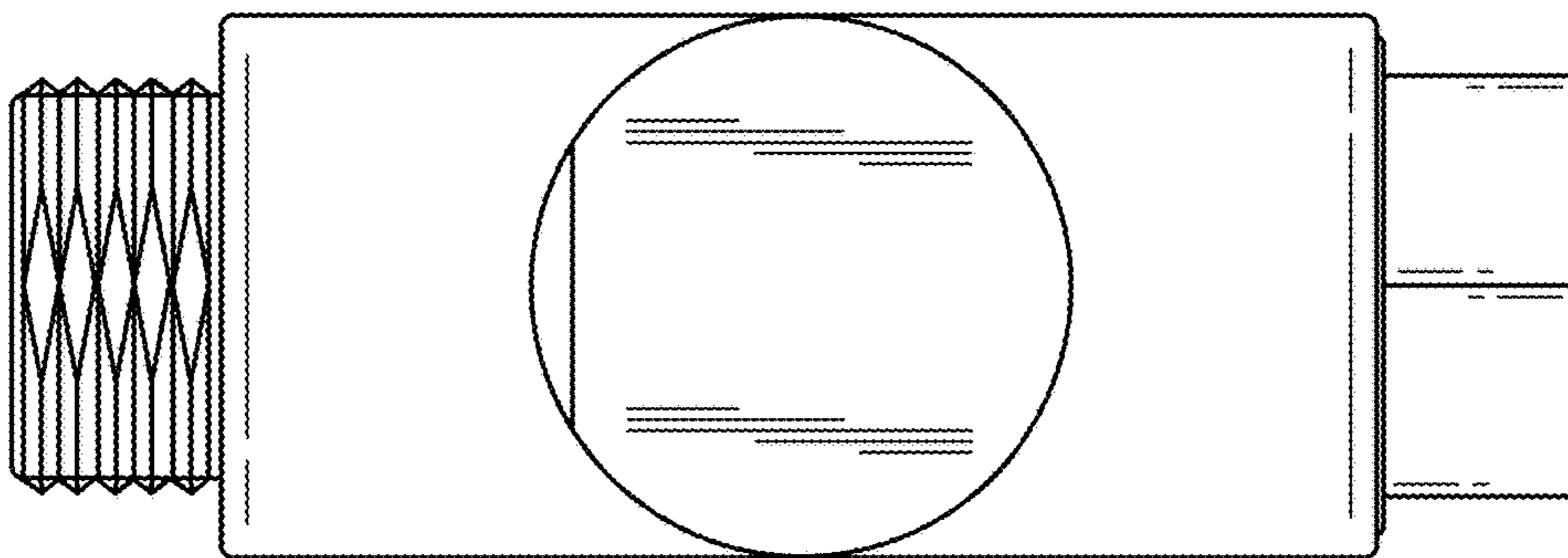


FIG. 4

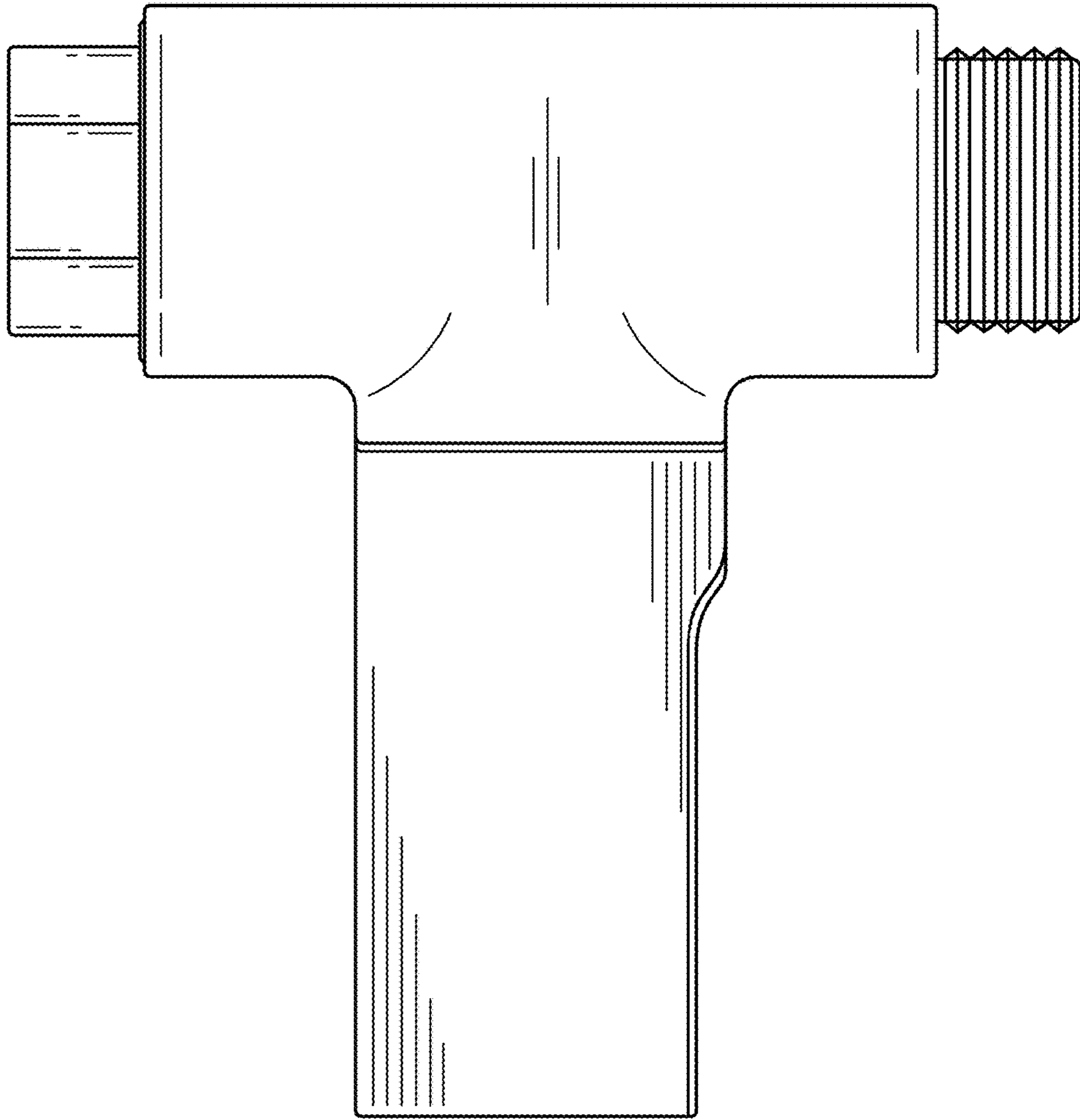


FIG. 5

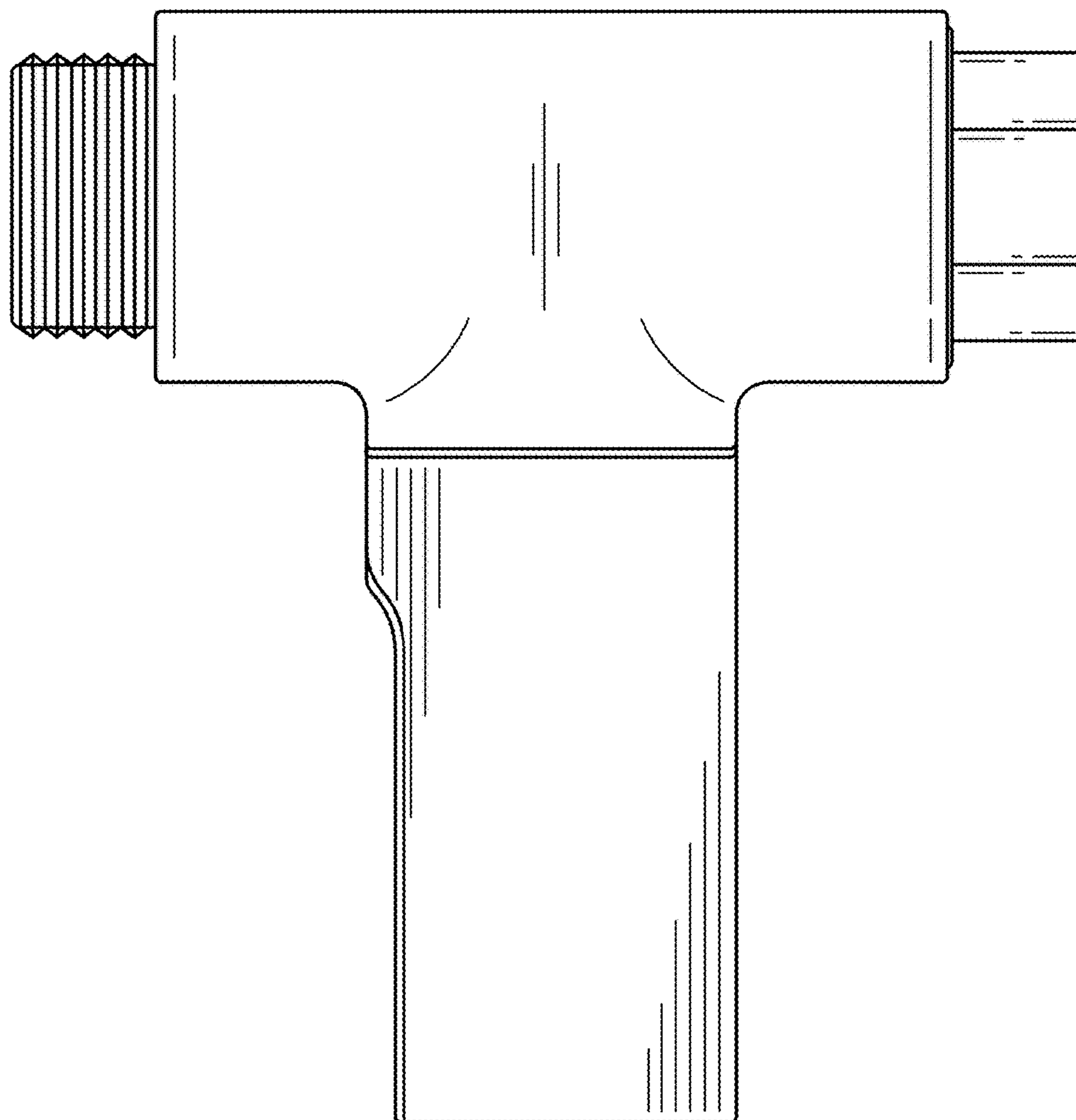


FIG. 6

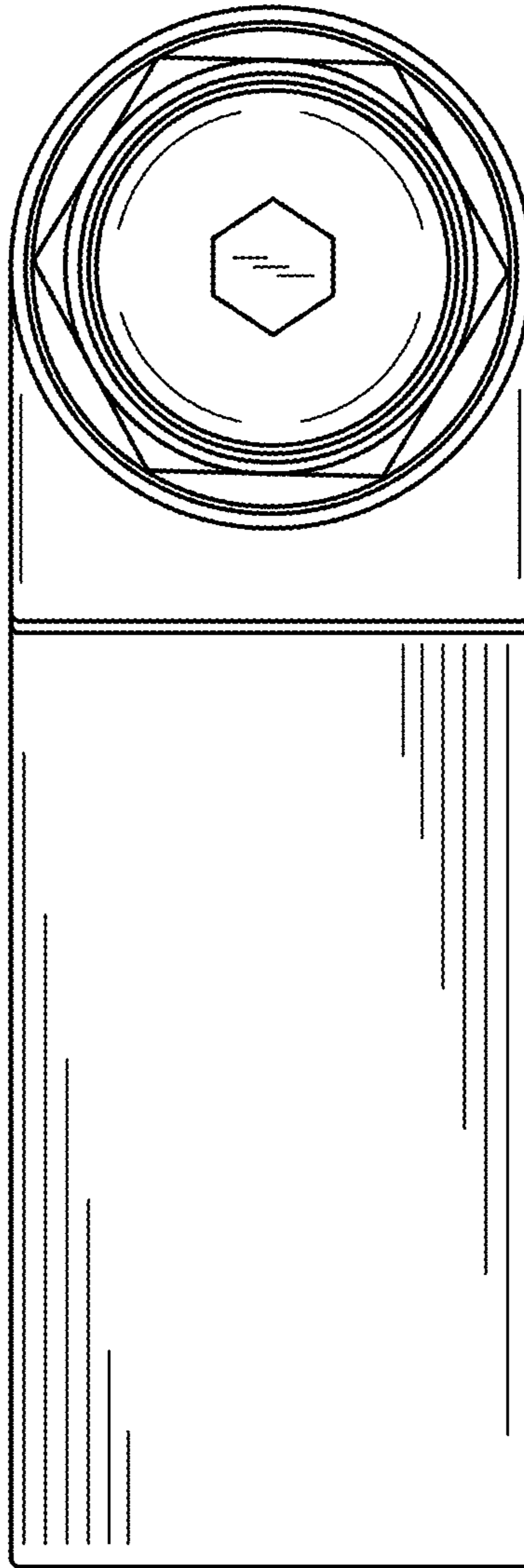


FIG. 7

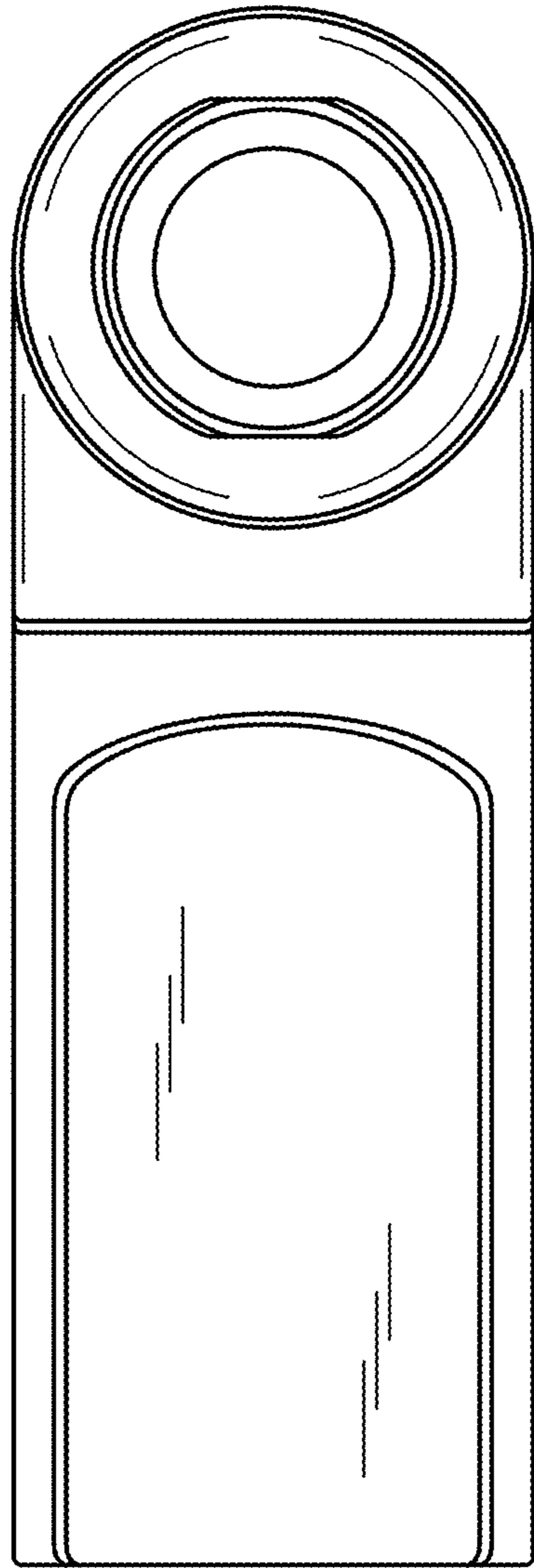


FIG. 8