



US00D834964S

(12) **United States Design Patent** (10) **Patent No.:** **US D834,964 S**  
**Thoren et al.** (45) **Date of Patent:** **\*\* Dec. 4, 2018**

(54) **HVAC CONTROL DEVICE**

(71) Applicant: **Daikin Manufacutring Company, L.P.**, Waller, TX (US)

(72) Inventors: **Dennis Thoren**, Lindale, TX (US); **Tao Jia**, Mooresville, NC (US); **Jacky Chen**, Katy, TX (US); **Chris Bellshaw**, Houston, TX (US); **Shawn Beus**, Houston, TX (US); **Kelly Hearnberger**, Katy, TX (US); **Ryohei Hinokuma**, Foster City, CA (US); **Fred Bould**, Menlo Park, CA (US); **Jeremy Wolf**, San Francisco, CA (US); **Byron Lee**, San Mateo, CA (US); **Jamie S. Perin**, San Francisco, CA (US)

(73) Assignee: **DAIKIN MANUFACTURING COMPANY, L.P.**

(\*\*) Term: **15 Years**

(21) Appl. No.: **29/608,994**

(22) Filed: **Jun. 27, 2017**

(51) **LOC (11) Cl.** ..... **10-04**

(52) **U.S. Cl.**  
USPC ..... **D10/50; D10/60; D13/162.1; D13/177**

(58) **Field of Classification Search**  
USPC ..... **D10/49, 50, 60, 102, 103; D13/162, D13/162.1, 177**  
CPC .... **H03J 1/0025; H03J 9/00; H03J 9/02; H03J 9/04; H03J 9/06; H01H 2009/187; H01H 9/02; H01H 9/0214; H01H 9/0242; H01H 9/18; H05B 37/02; H05B 37/0272; H05B**

(Continued)

(56) **References Cited**

**U.S. PATENT DOCUMENTS**

D251,482 S \* 4/1979 Sugiyama ..... D10/102  
D270,815 S \* 10/1983 Odom ..... D10/50

(Continued)

*Primary Examiner* — Antoine Duval Davis

(74) *Attorney, Agent, or Firm* — Manish Vyas

(57) **CLAIM**

The ornamental design for an HVAC control device, as shown and described.

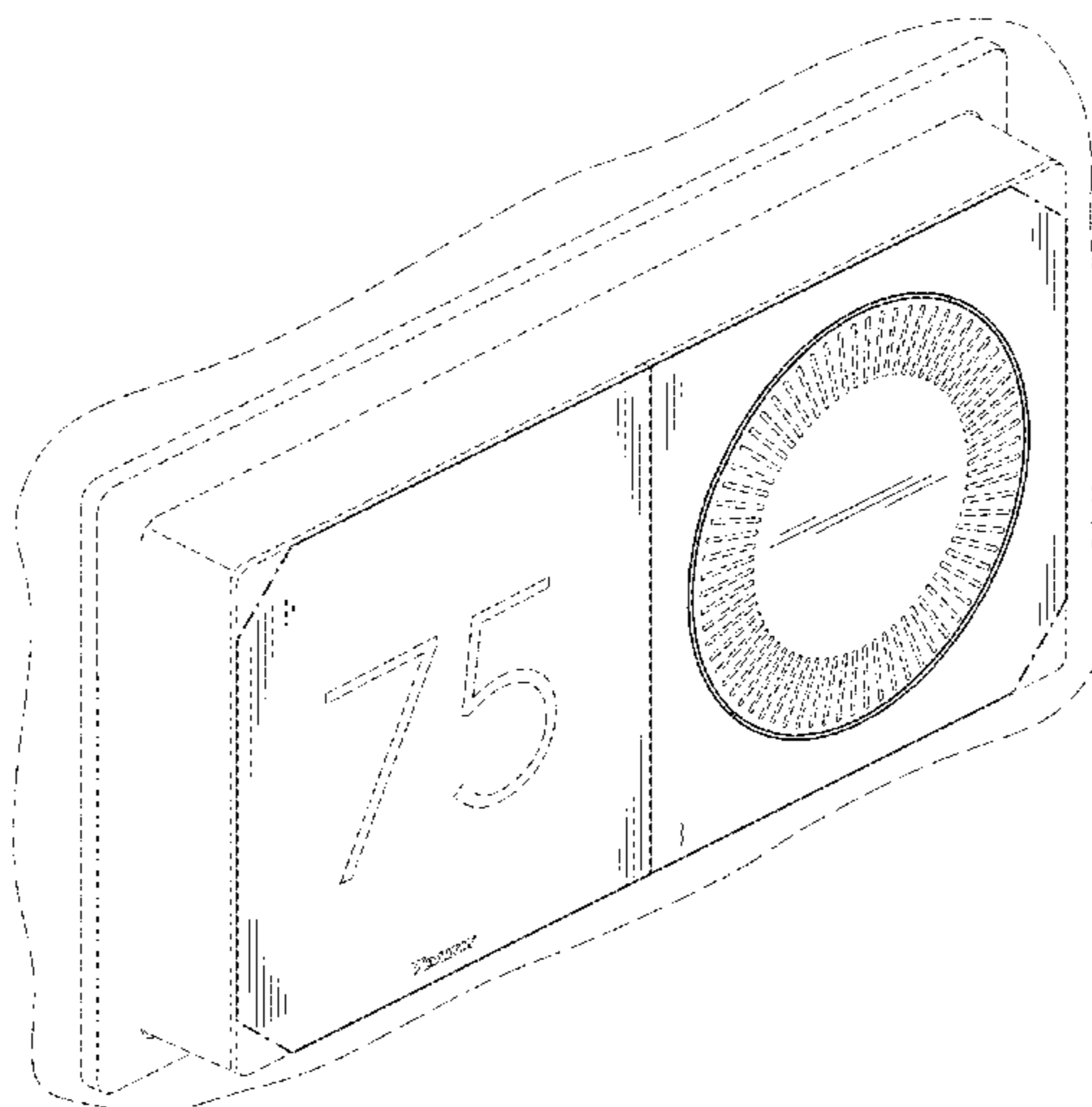
**DESCRIPTION**

FIG. 1 is a front view of an HVAC control device showing the new design;  
FIG. 2 is a right side view thereof;  
FIG. 3 is a left side view thereof;  
FIG. 4 is a bottom view thereof;  
FIG. 5 is a top view thereof;  
FIG. 6 is a rear view thereof;  
FIG. 7 is a front perspective view thereof;  
FIG. 8 is a front view of an HVAC control device showing a second embodiment of the new design;  
FIG. 9 is a right side view thereof;  
FIG. 10 is a left side view thereof;  
FIG. 11 is a bottom view thereof;  
FIG. 12 is a top view thereof;  
FIG. 13 is a rear view thereof; and,  
FIG. 14 is a front perspective view thereof.

The dashed broken lines represent structures, features or the environment that form no part of the claimed design. The longer-dash broken lines represent a mounting surface that is environmental and forms no part of the claimed design. And the varying-length dashed broken lines located at the four corners of the claimed surface in FIGS. 1, 7, 8 and 14 represent boundaries of the claimed design.

The Inventors and the Applicant regard the disclosed design as including the overall appearance shown in FIGS. 1-14 and any parts, elements, or portions thereof—reserving, among other things, the right to claim any combinations of these parts, elements, or portions, and the right to replace any solid line with a broken line or to replace any broken line with a solid line.

**1 Claim, 10 Drawing Sheets**



(58) **Field of Classification Search**

CPC ..... 39/088; H05B 33/0815; H05B 33/0854;  
H05B 37/0218; H05B 37/0245; G08C  
17/00; G08C 17/02; G08C 19/28; G08C  
23/02; G08C 23/04; H04M 1/0262;  
H04M 1/0266; H04M 2250/12; H04M  
2250/22; H05K 5/0017; H05K 5/0243;  
H05K 5/00; H05K 5/03; G02F 1/1333;  
G06F 1/1626; G06F 3/0488; G06F  
1/1684; G06F 1/30; G06F 3/0362; G06F  
3/038; H01M 2/1061; H02J 3/14; H02J  
2003/003; Y02B 70/3225; Y10T 307/944;  
Y10T 307/438; Y04S 10/54; Y04S  
20/222; F23N 5/20; F23N 5/203; F23N  
5/206; F23N 5/18; F23N 5/184; F23N  
5/187; F23N 5/22; F23N 2025/12; F23N  
2041/02; F24F 11/00; F24F 11/0012;  
F24F 11/0009; F24F 11/001; F24F  
2011/0057; F24F 2011/0073; F24F

2011/0091; F24F 2011/0094; F24F  
2011/0068; F24F 2011/0012; F24F  
2011/0015; F24F 2011/0017; F21V 11/16;  
F21V 33/10; G05B 19/042; G05D 23/01;  
G05D 23/12; G05D 23/275; G05D  
23/1902; G05D 23/1904; G05D  
23/27502; G05D 23/27503; G05D  
23/1919; G05D 23/19; G05D 23/2723;  
G05D 23/00; G09F 13/22; G09F 9/53

See application file for complete search history.

(56)

**References Cited**

U.S. PATENT DOCUMENTS

D614,976 S \* 5/2010 Skafdrup ..... D10/50  
D723,948 S \* 3/2015 Baumgartner ..... D10/50  
D772,735 S \* 11/2016 Mansueto ..... D10/50  
2017/0082313 A1\* 3/2017 Benichou ..... F24F 11/0086

\* cited by examiner

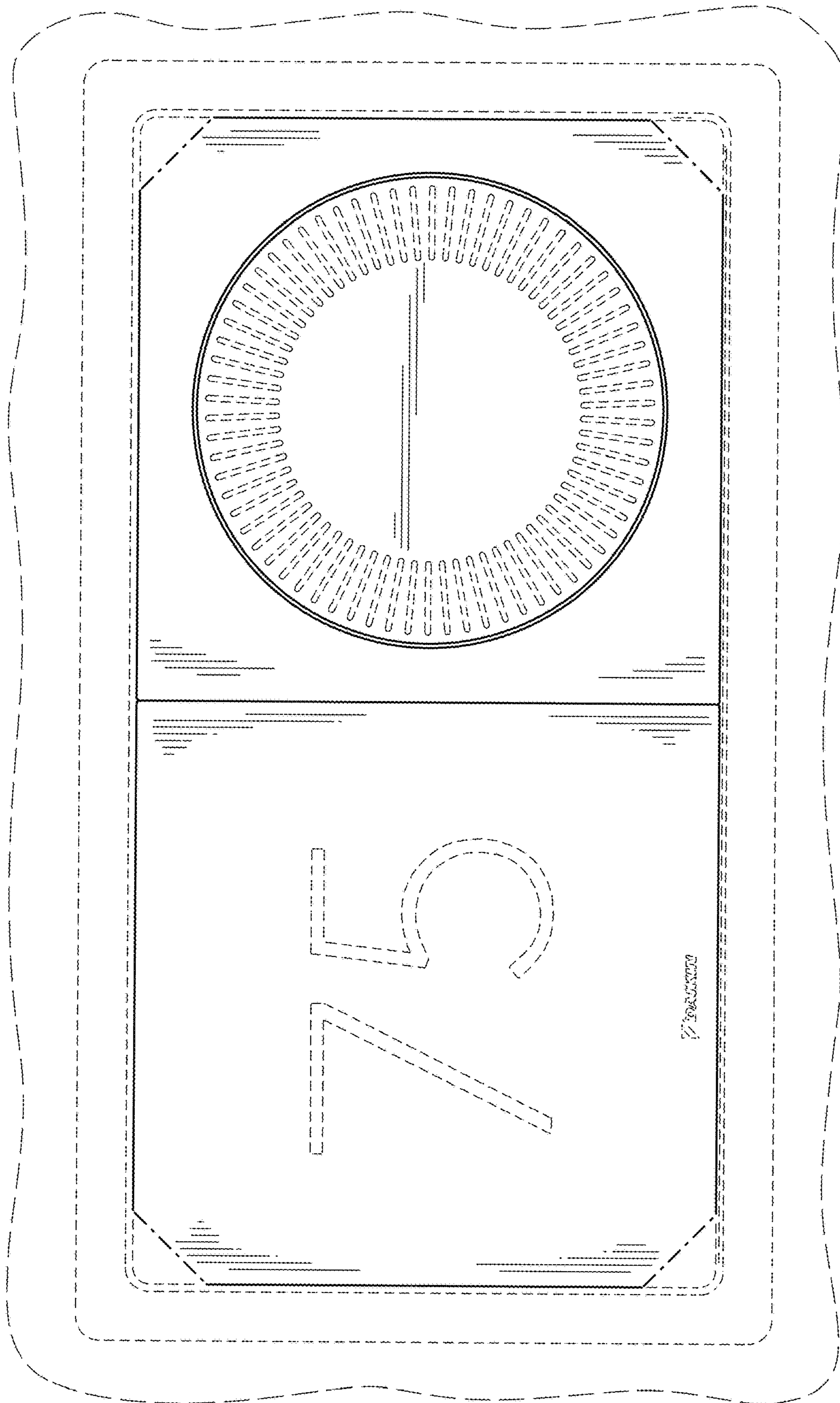


FIG. 1

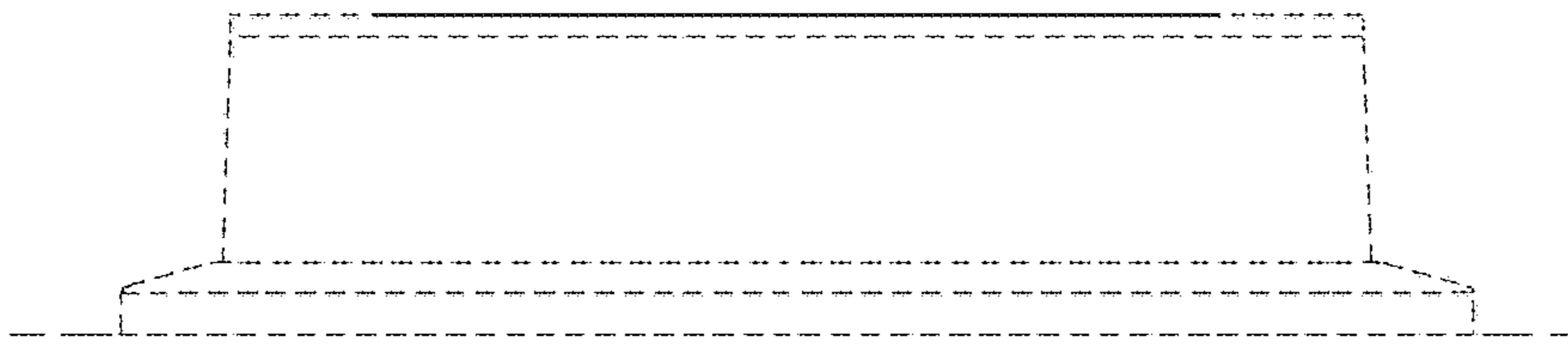


FIG. 3

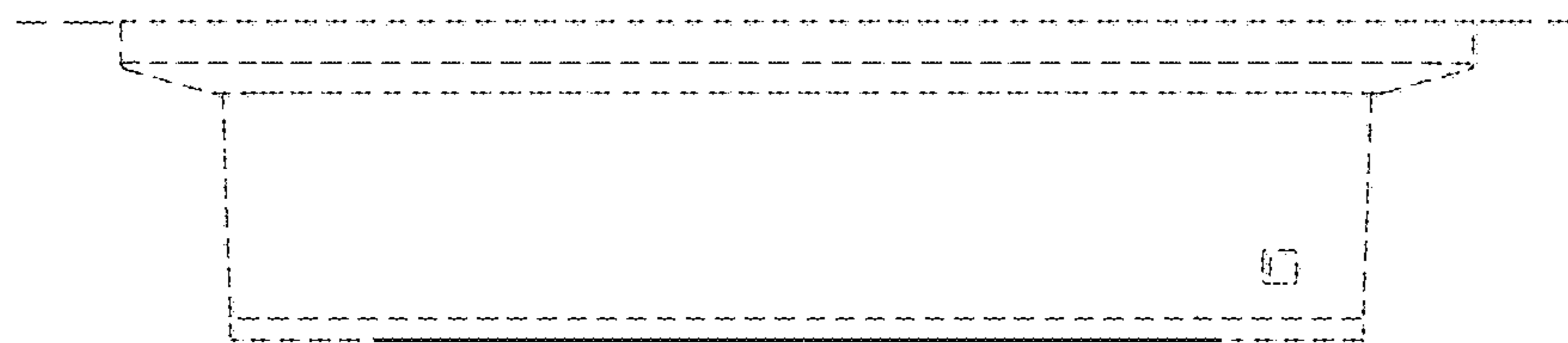


FIG. 2

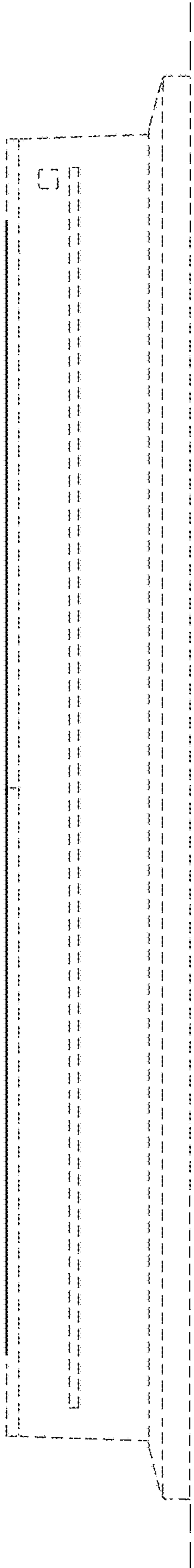


FIG. 4

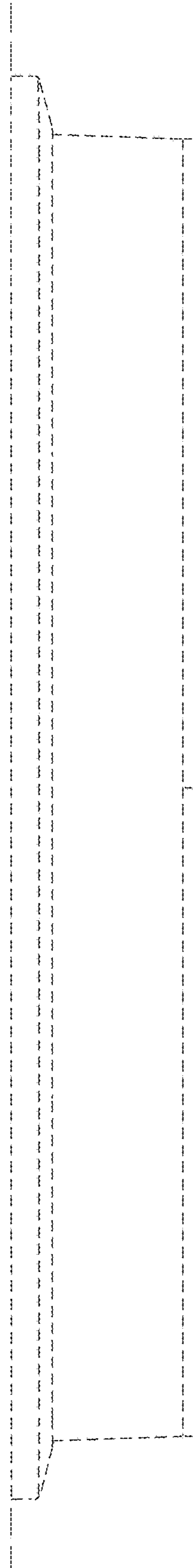


FIG. 5

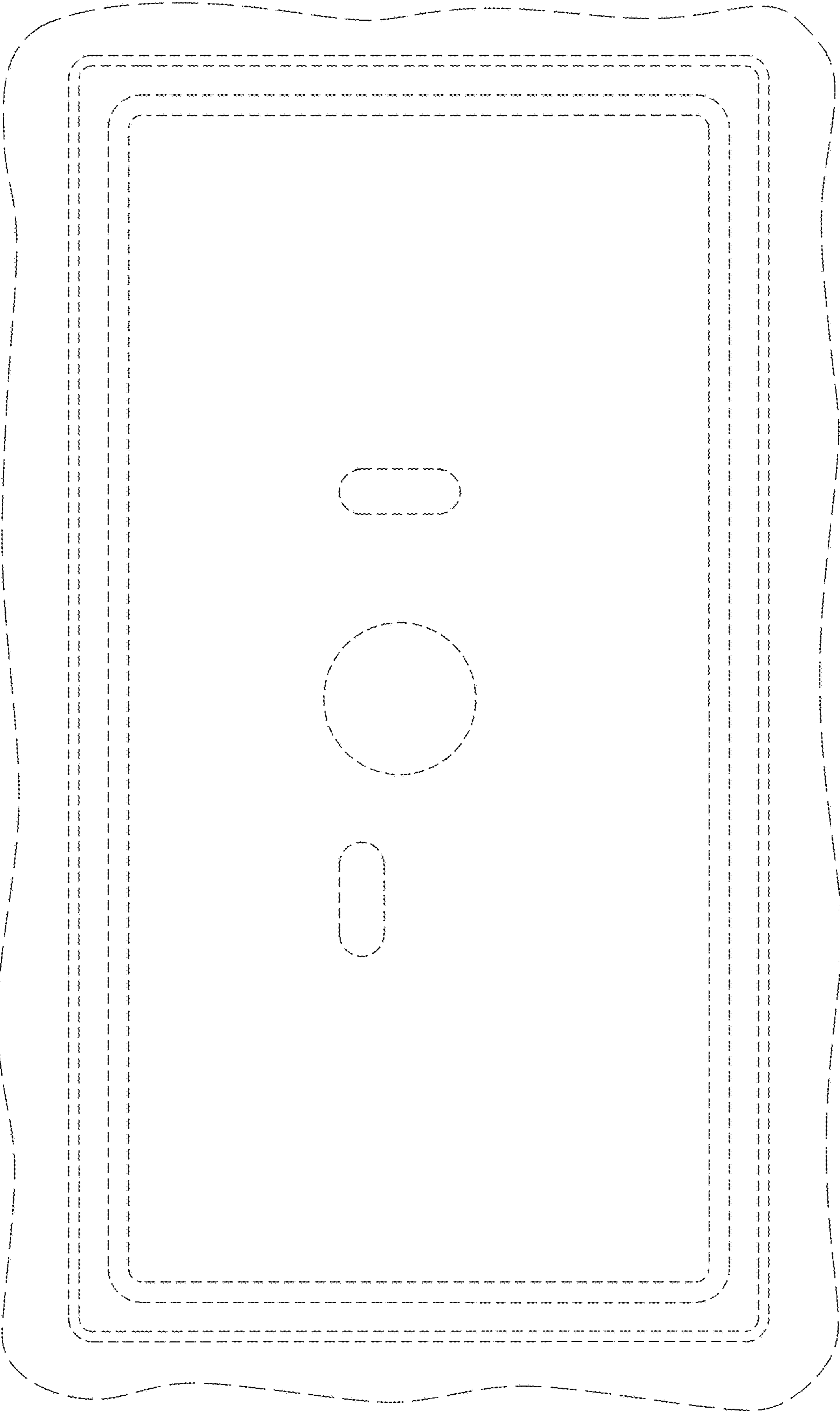


FIG. 6

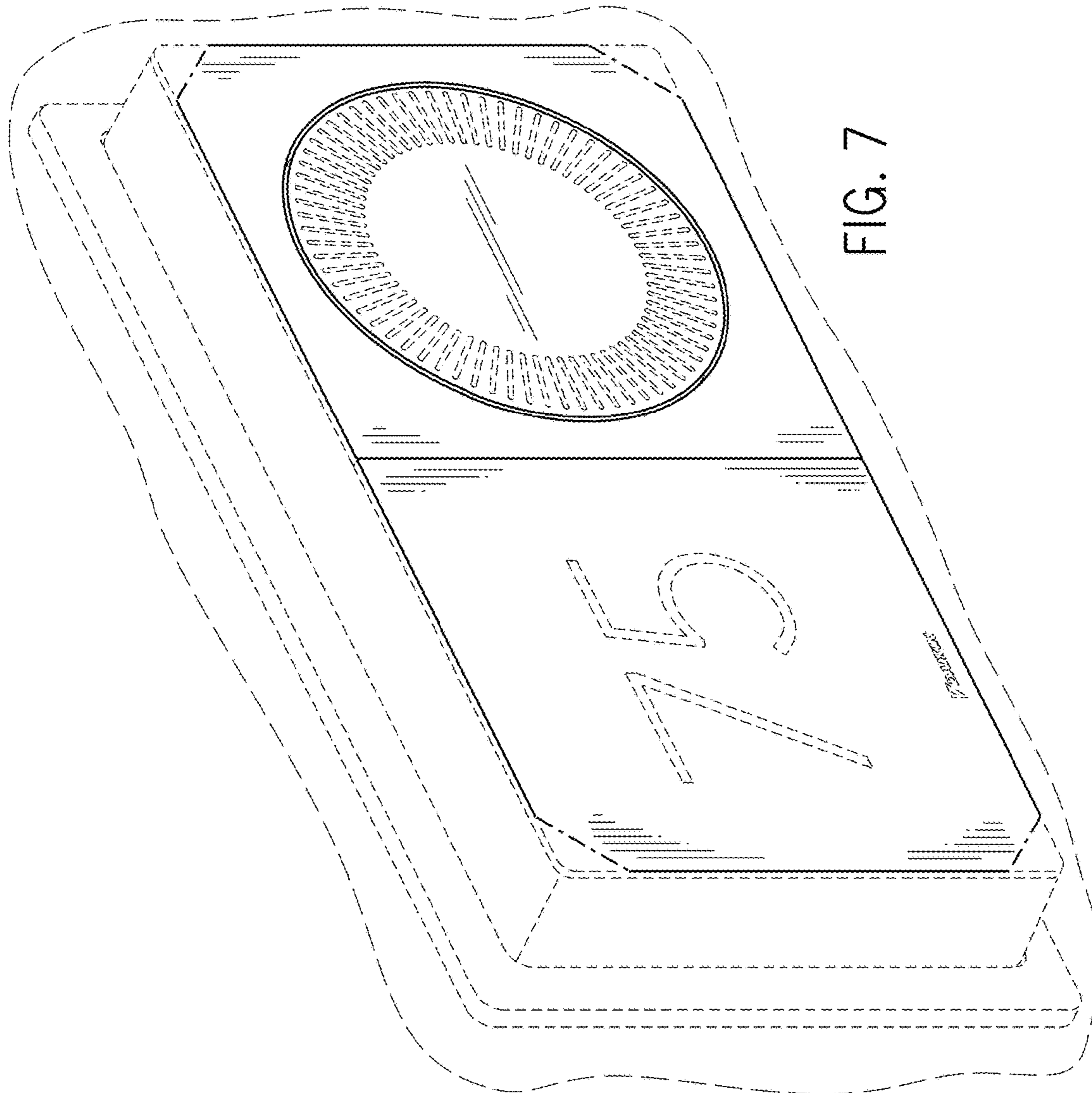


FIG. 7

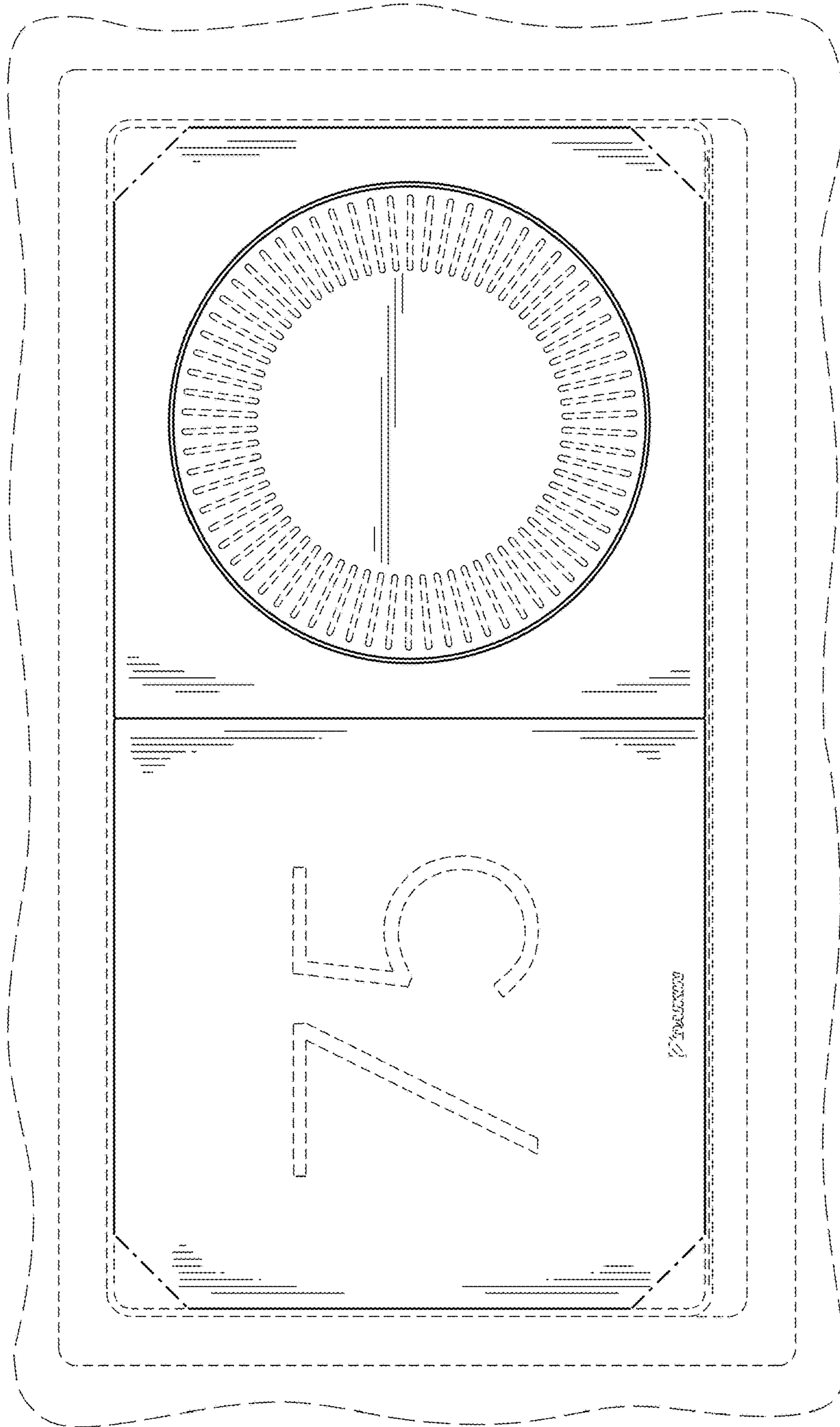


FIG. 8





FIG. 10

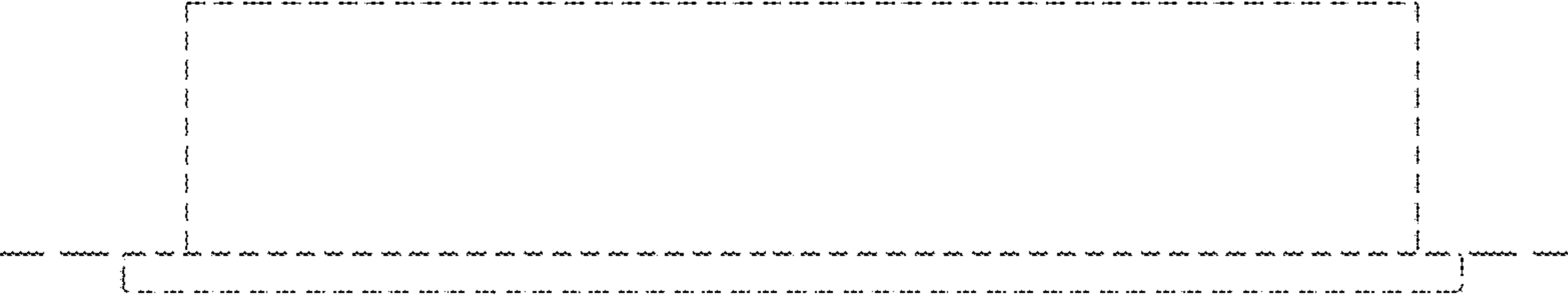


FIG. 9

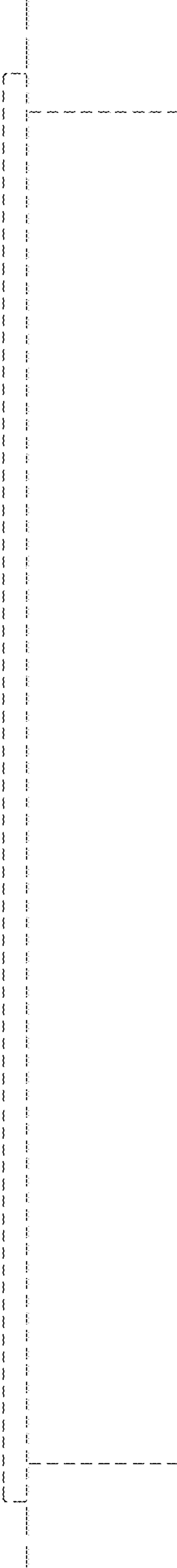


FIG. 11

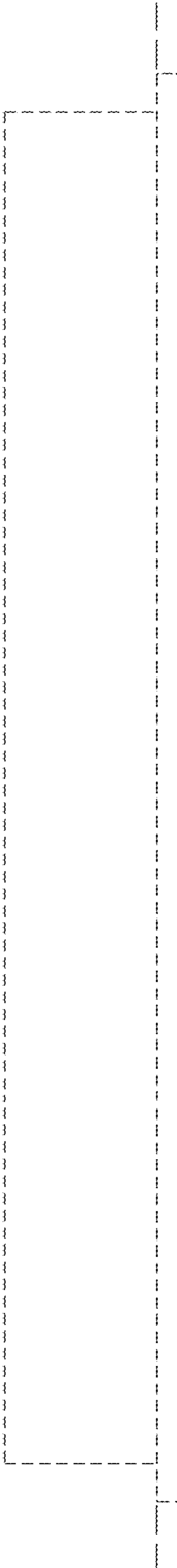


FIG. 12

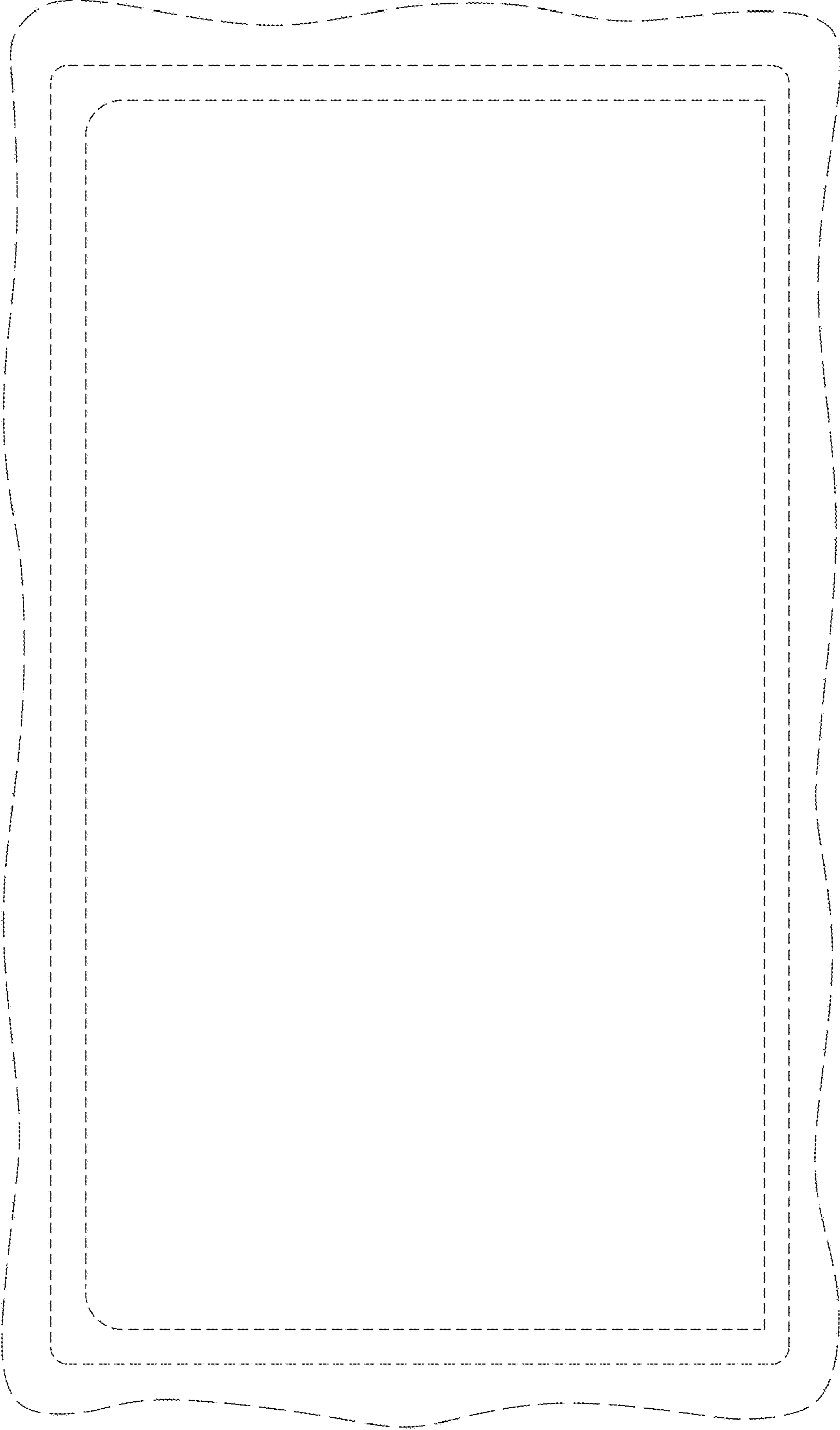


FIG. 13

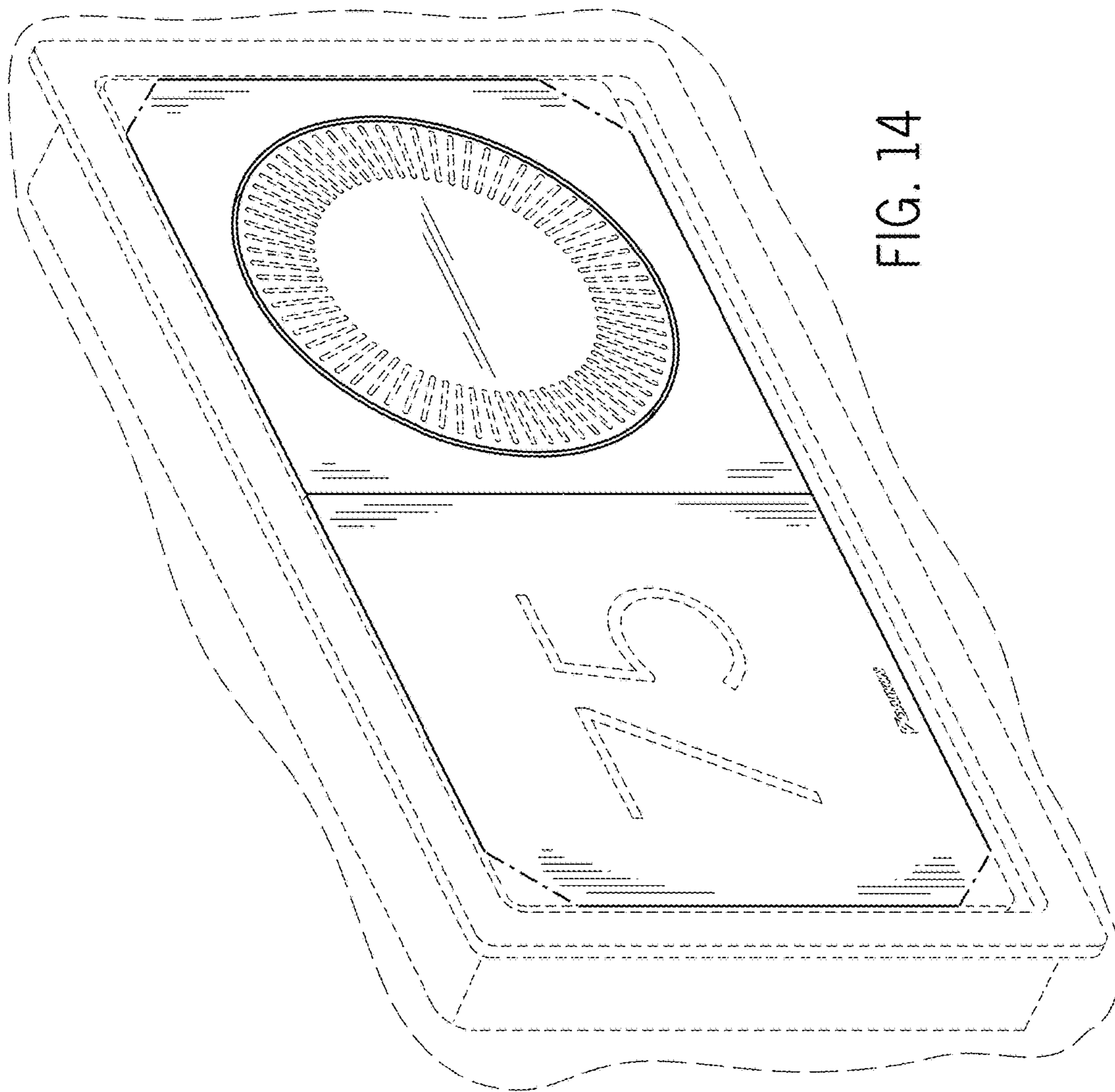


FIG. 14