

US00D834961S

(12) **United States Design Patent** (10) **Patent No.:** **US D834,961 S**
Bergin et al. (45) **Date of Patent:** **** Dec. 4, 2018**

(54) **THERMOSTAT**

(71) Applicant: **Dometic Sweden AB**, Solna (SE)
(72) Inventors: **Bryan B. Bergin**, Granger, IN (US);
Michael Desnoyers, Burlington (CA)
(73) Assignee: **Dometic Sweden AB**, Solna (SE)
(**) Term: **15 Years**
(21) Appl. No.: **29/610,689**
(22) Filed: **Jul. 14, 2017**

Related U.S. Application Data

(62) Division of application No. 29/545,950, filed on Nov. 17, 2015, now Pat. No. Des. 795,712.
(51) **LOC (11) Cl.** **10-04**
(52) **U.S. Cl.**
USPC **D10/49**; D10/60; D13/164; D13/177
(58) **Field of Classification Search**
USPC D13/162, 162.1, 164, 177; D10/49, 50, D10/60
CPC . F23N 5/20; F23N 5/203; F23N 5/206; F23N 5/18; F23N 5/184; F23N 5/187; F23N 5/22; F23N 2025/12; F23N 2041/02; F24F 11/00; F24F 11/0012; F24F 11/0009; F24F 11/001; F24F 2011/0057; F24F 2011/0073; F24F 2011/0091; F24F 2011/0094; F24F 2011/0068; F24F 2011/0012; F24F 2011/0015; F24F 2011/0017; F21V 11/16; F21V 33/10; G05B 19/042; G05D 23/01; G05D 23/12; G05D 23/275; G05D 23/1902; G05D 23/1904; G05D 23/27502; G05D 23/27503; G05D 23/1919; G05D 23/19; G05D 23/2723; G05D 23/00; G09F 13/22; G09F 9/53; G06F 1/1684; G06F 1/30; G06F 3/0362; G06F 3/038; G06F 1/16; G06F 1/1601; G06F 1/1603; G06F 1/1605; G06F

(Continued)

(56) **References Cited**

U.S. PATENT DOCUMENTS

8,218,306 B2 7/2012 Lynch
D666,927 S 9/2012 Krumpe
(Continued)

FOREIGN PATENT DOCUMENTS

AU 201610870 4/2016
AU 201611751 5/2016
(Continued)

OTHER PUBLICATIONS

Thermostat, U.S. Appl. No. 29/545,950, filed Nov. 17, 2015.
(Continued)

Primary Examiner — Antoine Duval Davis
(74) *Attorney, Agent, or Firm* — Middleton Reutlinger

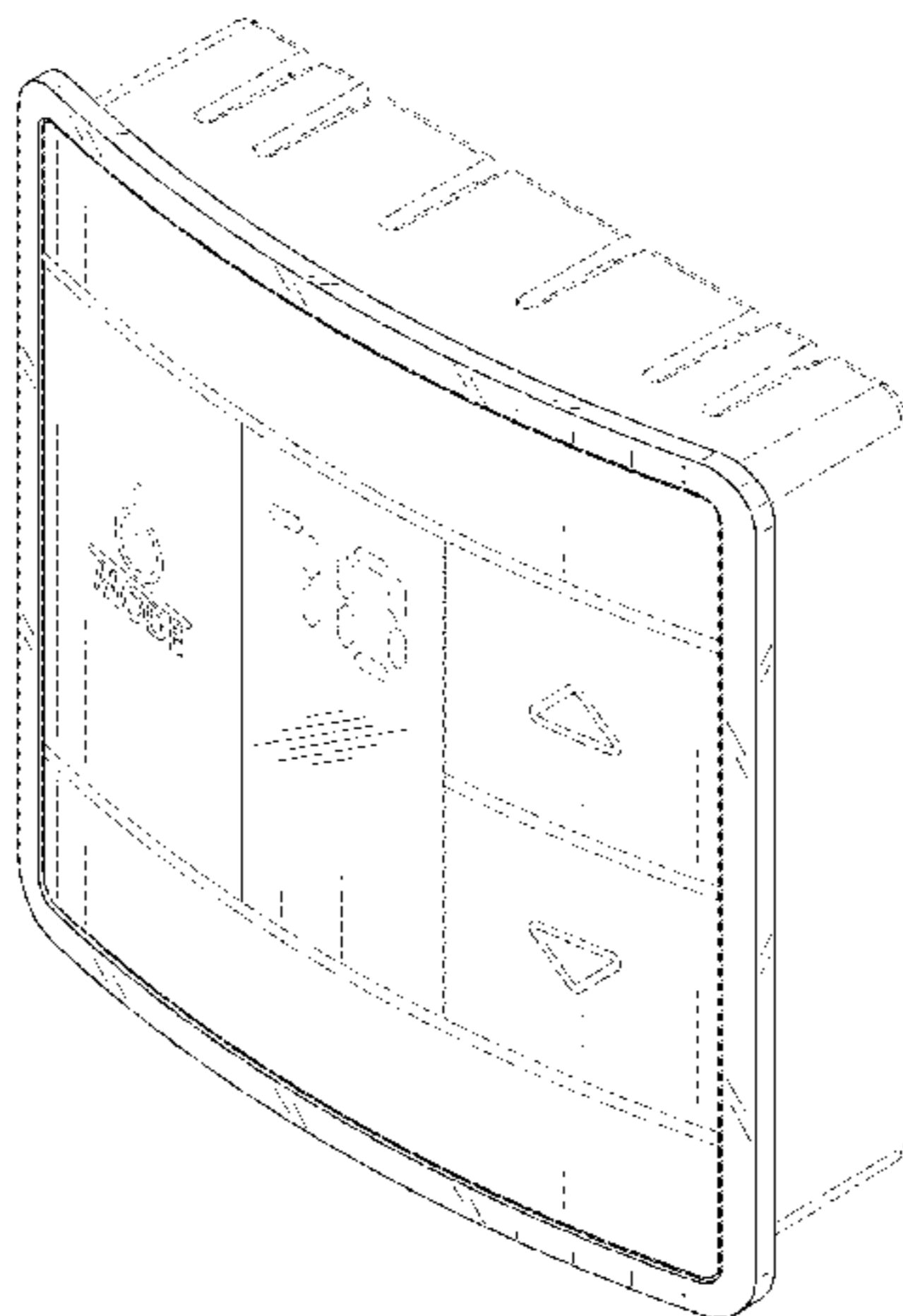
(57) **CLAIM**

The ornamental design for a thermostat, as shown and described.

DESCRIPTION

FIG. 1 is a perspective view of an embodiment of a thermostat design
FIG. 2 is a front view of the thermostat design of FIG. 1;
FIG. 3 is a rear view of the thermostat design of FIG. 1;
FIG. 4 is a first side view of the thermostat design of FIG. 1;
FIG. 5 is a second side view of the thermostat design of FIG. 1;
FIG. 6 is a top view of the thermostat design of FIG. 1; and,
FIG. 7 is a bottom view of the thermostat design of FIG. 1.
The broken line disclosure represents unclaimed portions of the thermostat in which the design is embodied.

1 Claim, 7 Drawing Sheets



(58) Field of Classification Search

CPC 1/1607; G06F 1/1609; G06F 1/1611; G06F 1/1613; G06F 1/1615; G06F 1/1616; G06F 1/1618; G06F 1/162; G06F 1/1622; G06F 1/1624; G06F 1/1626; G06F 1/1628; G06F 1/163; G06F 1/1632; G06F 1/1633; G06F 1/1635; G06F 1/1637; G06F 1/1639; G06F 1/1641; G06F 1/1643; G06F 1/1645; G06F 1/1647; G06F 1/1649; G06F 1/165; G06F 1/1652; G06F 1/1654; G06F 1/1656; G06F 1/1658; G06F 1/166; G06F 1/1662; G06F 1/1664; G06F 1/1666; G06F 1/1667; G06F 1/1669; G06F 1/1671; G06F 1/1673; G06F 1/1675; G06F 1/1677; G06F 1/1679; G06F 1/1681; G06F 1/1683; G06F 1/1686; G06F 1/1688; G06F 1/169; G06F 1/1692; G06F 1/1694; G06F 1/1696; G06F 1/1698; G06F 3/04842; H05B 33/0854; H05B 37/0218; H05K 5/0017; H05K 5/0243; H05K 5/00; H05K 5/03; H04M 2250/12; H04M 2250/22; A61B 5/4869; A61B 5/4872; A61B 5/0537; A61B 5/742-5/745; A61B 8/46-8/469; G01G 1/00-1/42; G01G 3/00-3/18; G01G 5/00-5/06; G01G 7/00-7/06; G01G 9/00; G01G 9/005; G01G 11/00-11/20; G01G 13/00-13/34; G01G 15/00-2015/047; G01G 17/00-17/08; G01G 19/00-21/30; G01G 23/00-23/48; G01S 7/56-7/629; G01N 2015/1488; Y10S 715/97

See application file for complete search history.

(56)

References Cited

U.S. PATENT DOCUMENTS

9,151,510	B2	10/2015	Leen	
D750,981	S	3/2016	Jacoby	
D758,217	S	6/2016	Kumfer	
D772,085	S	11/2016	Howe	
D775,975	S	1/2017	Jacoby	
D775,976	S	1/2017	Jacoby	
D799,997	S *	10/2017	Jacoby	D10/50
D807,763	S *	1/2018	Jacoby	D10/50
D809,943	S *	2/2018	Jacoby	D10/50

FOREIGN PATENT DOCUMENTS

CA	167369	12/2016
CA	170638	12/2016

OTHER PUBLICATIONS

Transmittal Letter of Related Cases.
 Dometic Climate Control, Single Zone LCD Thermostat—Perfect Temperature Control at Your Fingertips, 2015, US.
 Dometic Climate Control, Comfort Control Center (CCC II)—Easy to Read, Easy to Use Digital Control, 2015, US.
 U.S. Patent and Trademark Office, U.S. Appl. No. 29/545,950 entitled “Thermostat” filed Nov. 17, 2015.
 U.S. Patent and Trademark Office, Restriction Requirement for U.S. Appl. No. 29/545,950 dated Jan. 19, 2017.
 U.S. Patent and Trademark Office, Notice of Allowance for U.S. Appl. No. 29/545,950 dated Jan. 19, 2017.
 IP Australia, Design Application Pre-Registration Formalities Check Notice 1 for Design Application No. 201610870 dated Mar. 7, 2016.
 Canadian Intellectual Property Office, Examiner’s Report for Design Application No. 167369 dated Jun. 7, 2016.

* cited by examiner

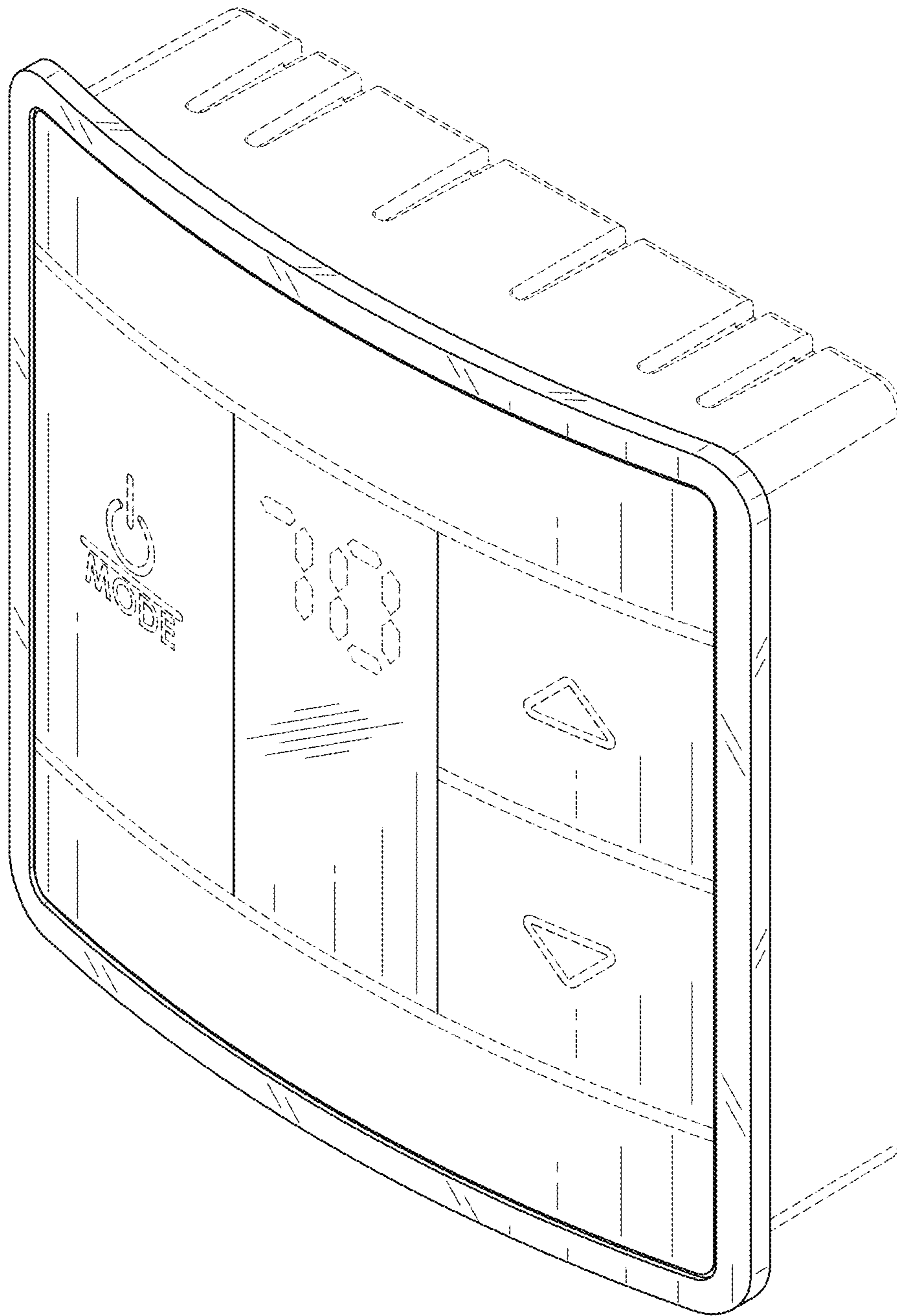


FIG. 1

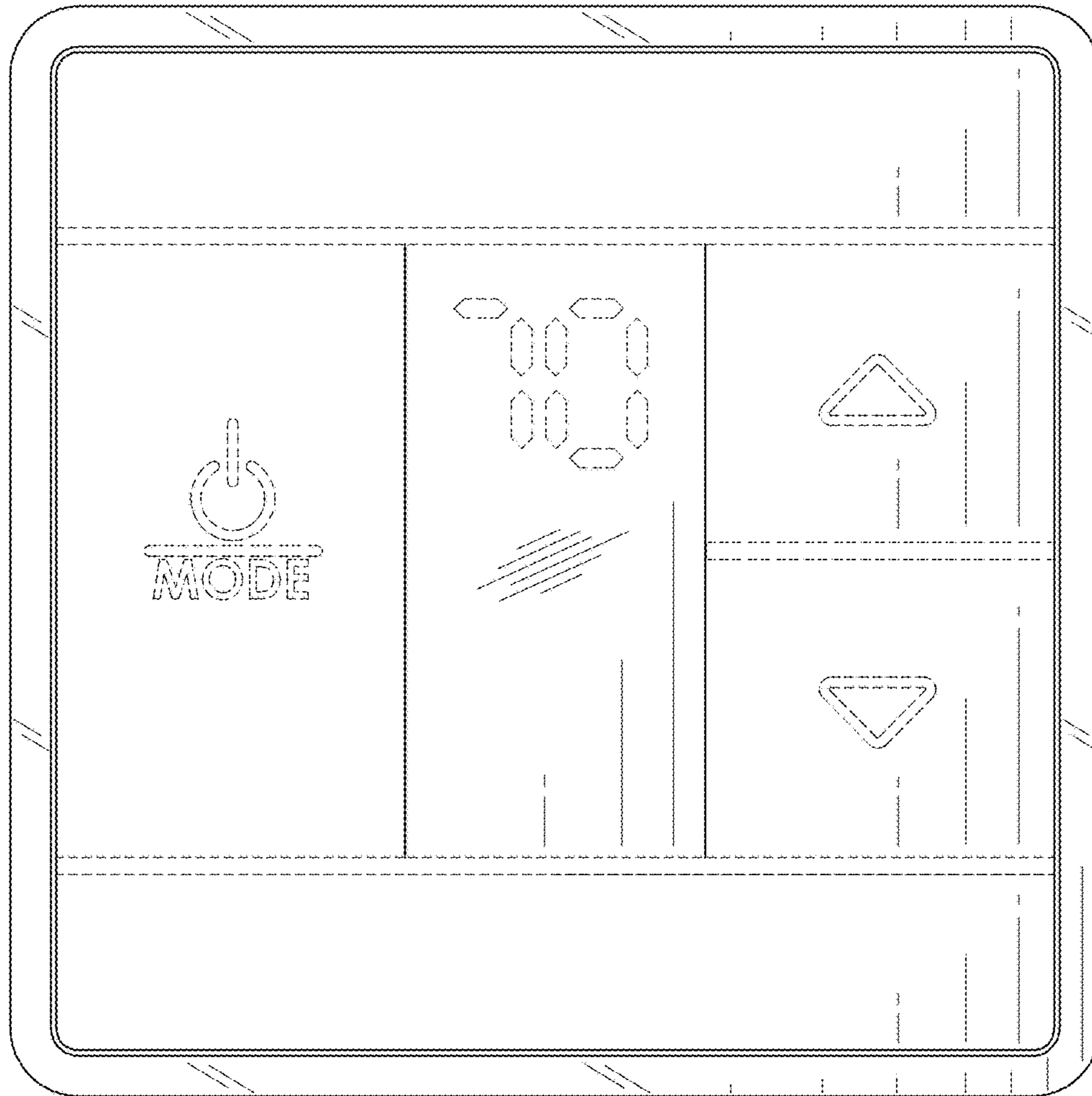


FIG. 2

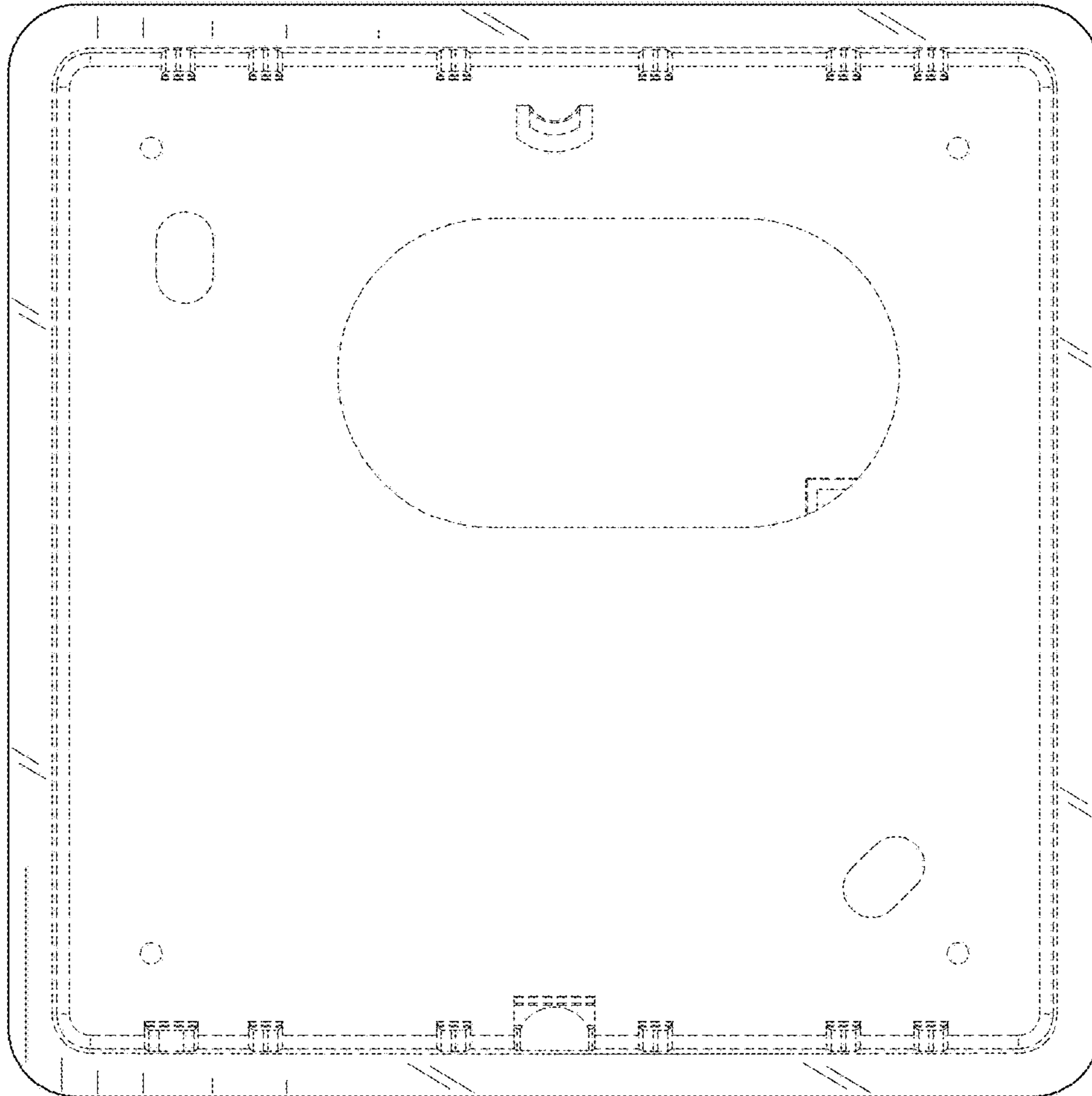


FIG. 3

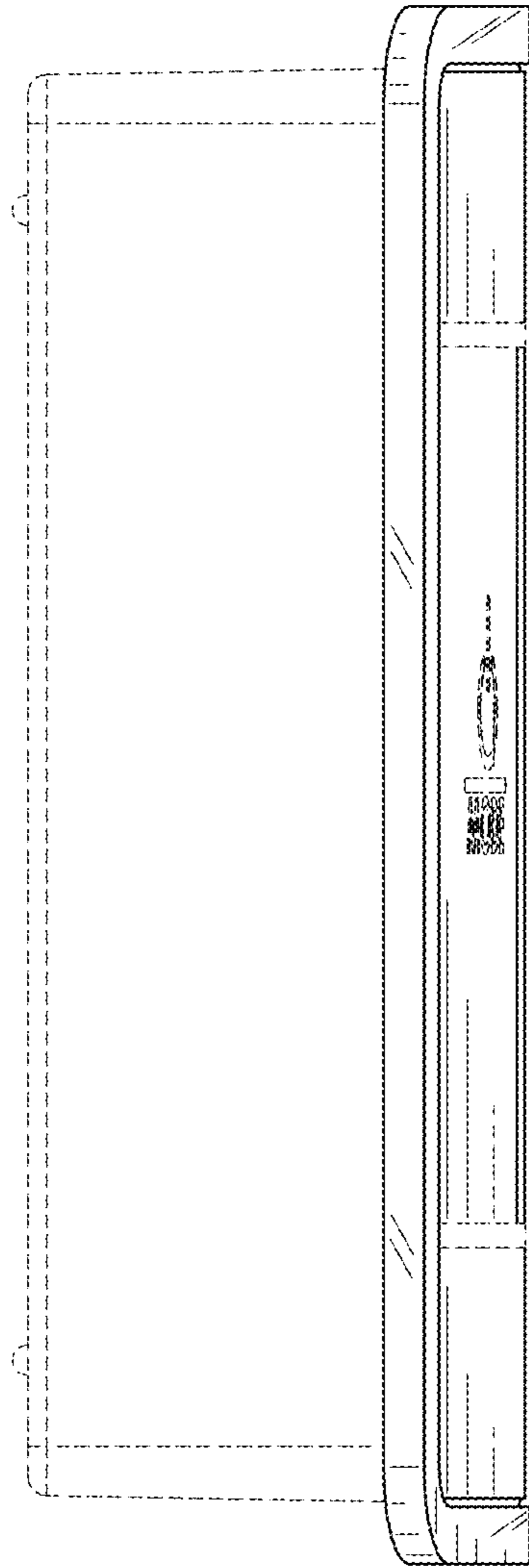


FIG. 4

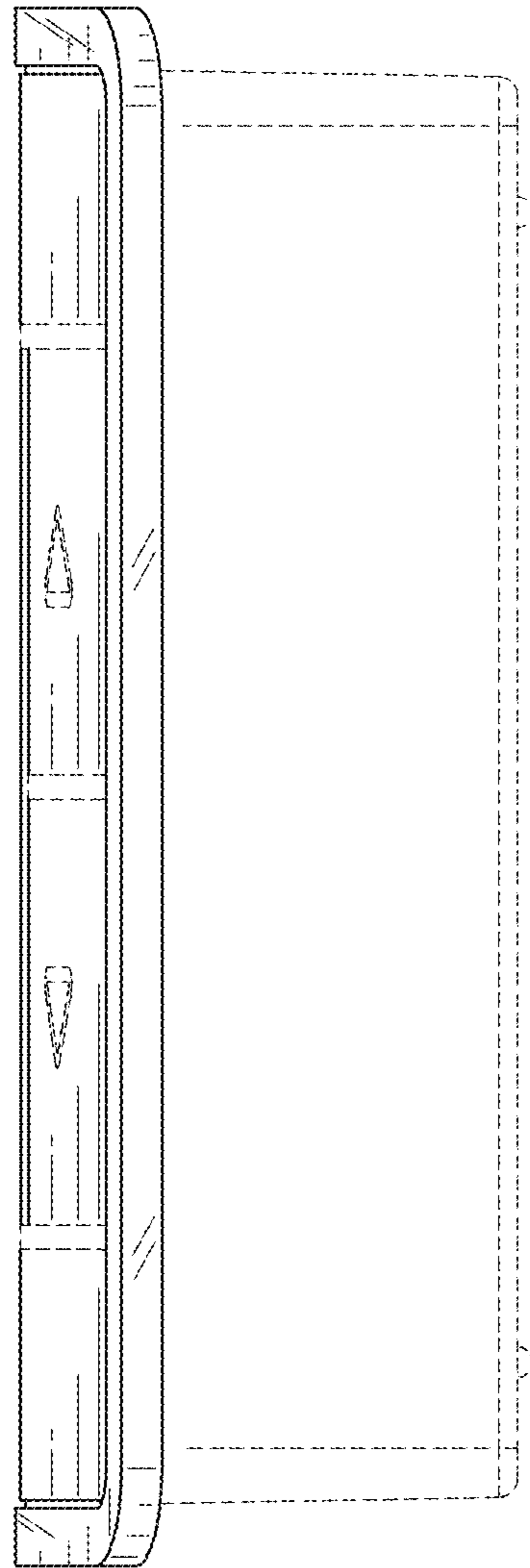


FIG. 5

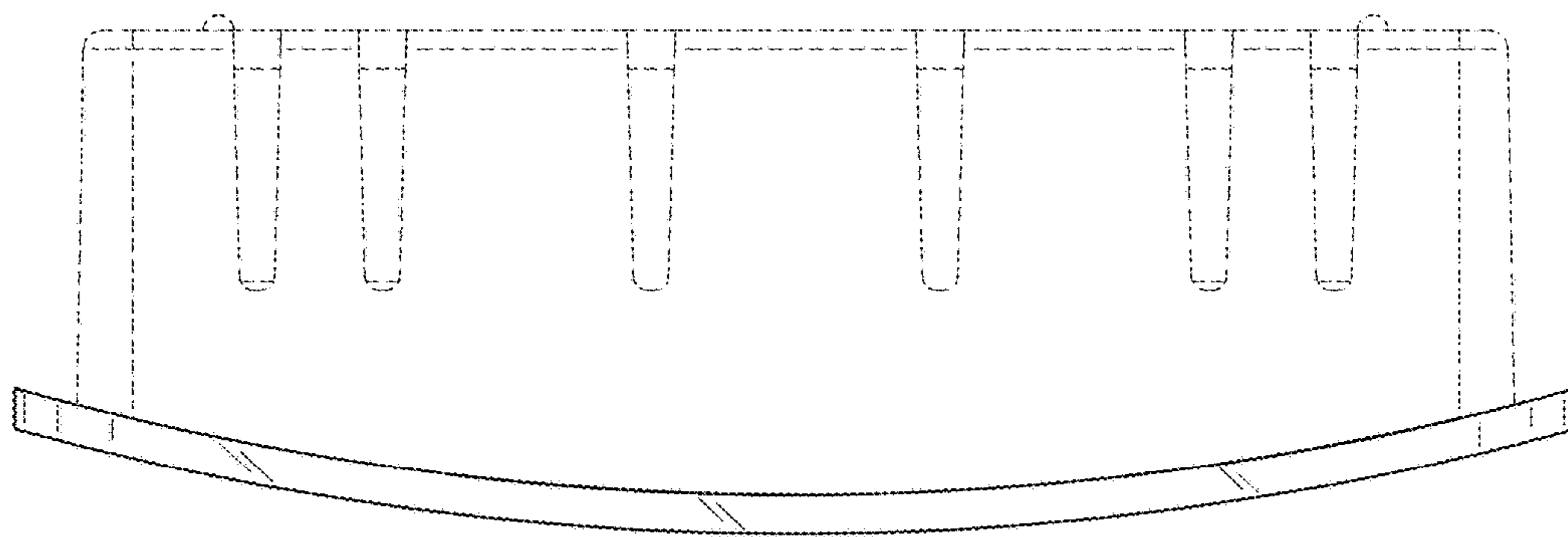


FIG. 6

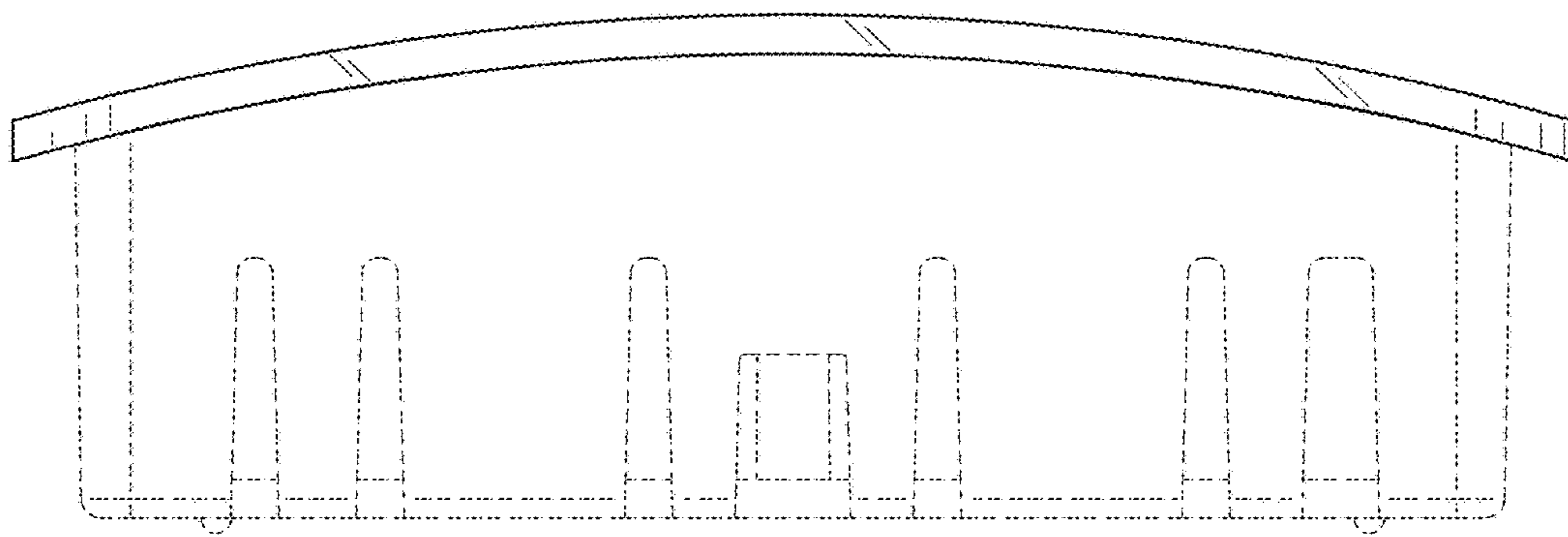


FIG. 7