



US00D834959S

(12) **United States Design Patent**
Logue

(10) **Patent No.:** **US D834,959 S**

(45) **Date of Patent:** **** *Dec. 4, 2018**

(54) **MEASURING SCOOP**

CPC B65D 41/26; B65D 47/06; G01F 19/00;
G01F 19/002

(71) Applicant: **LOGUE AND CO. PTY LTD., AS TRUSTEE FOR A.T. & L.M. LOGUE FAMILY TRUST**, Yowie Bay, NSW (AU)

See application file for complete search history.

(72) Inventor: **Anthony Thomas Logue**, Yowie Bay (AU)

(56) **References Cited**

U.S. PATENT DOCUMENTS

(73) Assignee: **LOGUE & CO. PTY LTD.**, Yowie Bay (AU), AS TRUSTEE FOR A.T. & L.M. LOGUE FAMILY TRUST

202,268 A * 4/1878 Keller B65D 41/26
141/381
535,125 A * 3/1895 Vincent B65D 41/26
141/381

(Continued)

(*) Notice: This patent is subject to a terminal disclaimer.

Primary Examiner — Susan Bennett Hattan

Assistant Examiner — Brett Miller

(**) Term: **15 Years**

(74) *Attorney, Agent, or Firm* — Sughrue Mion, PLLC

(21) Appl. No.: **29/553,297**

(57) **CLAIM**

The ornamental design for a measuring scoop, as shown and described.

(22) Filed: **Jan. 29, 2016**

DESCRIPTION

Related U.S. Application Data

(62) Division of application No. 29/485,982, filed on Mar. 25, 2014, now Pat. No. Des. 758,893.

FIG. 1 is a front perspective view of a first embodiment of my design;

FIG. 2 is a front view thereof;

FIG. 3 is rear view thereof;

FIG. 4 is right side view thereof;

FIG. 5 is left side view thereof;

FIG. 6 is top view thereof; and

FIG. 7 is bottom view thereof.

(30) **Foreign Application Priority Data**

Sep. 26, 2013 (AU) 15004/2013

Oct. 23, 2013 (AU) 15460/2013

Nov. 14, 2013 (AU) 15896/2013

Dec. 2, 2013 (AU) 16331/2013

FIG. 8 is a front perspective view of a second embodiment of my design;

FIG. 9 is a front view thereof;

FIG. 10 is rear view thereof;

FIG. 11 is right side view thereof;

FIG. 12 is left side view thereof;

FIG. 13 is top view thereof; and,

FIG. 14 is bottom view thereof.

(51) **LOC (11) Cl.** **10-04**

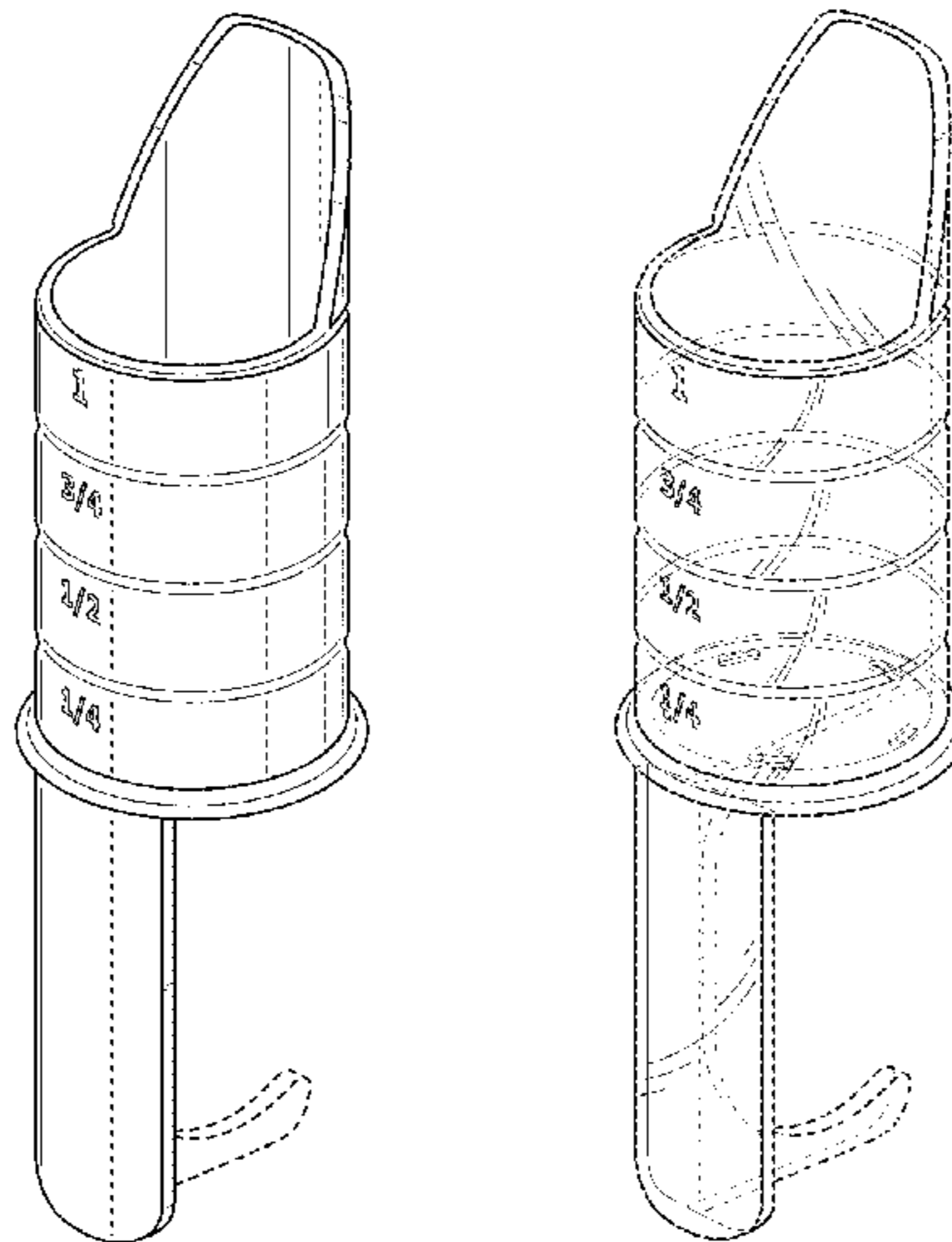
(52) **U.S. Cl.**
USPC **D10/46.2; D9/447**

The broken lines shown in the drawings represent portions of the measuring scoop which form no part of the claimed design.

(58) **Field of Classification Search**

USPC D10/46.2, 46.3, 96, 101; D9/435, 436, D9/440, 447; D24/116; D7/392, 396.2, D7/397-398; 141/381; 222/566; 220/717

1 Claim, 8 Drawing Sheets



(56)

References Cited

U.S. PATENT DOCUMENTS

1,419,580 A * 6/1922 Molinari G01F 19/00
141/381

1,648,512 A * 11/1927 Stock A47J 41/0083
D9/447

2,133,318 A * 10/1938 Arato A47G 19/2216
220/717

2,317,046 A * 4/1943 Fleming B65D 41/12
220/717

2,678,142 A * 5/1954 Creed B65D 47/06
220/717

3,045,723 A * 7/1962 Gainor B65D 51/247
141/381

D197,025 S * 12/1963 Marcus D10/46.2

D252,371 S * 7/1979 Folli D10/46.2

D276,555 S * 11/1984 Noble D10/46.2

5,377,879 A * 1/1995 Isaacs G01F 19/002
D10/46.2

D366,840 S * 2/1996 Schagerstrom D10/46.2

D419,090 S * 1/2000 Folos D10/101

D612,237 S * 3/2010 Richey D9/447

D686,076 S * 7/2013 Traxler D9/447

D720,241 S * 12/2014 Logue D10/46.2

D777,031 S * 1/2017 Katopis D9/436

D781,645 S * 3/2017 Lau D7/397

2004/0140315 A1 * 7/2004 Reinoso B65D 47/06
220/717

2015/0284150 A1 * 10/2015 Doubles B65D 41/26
222/1

* cited by examiner

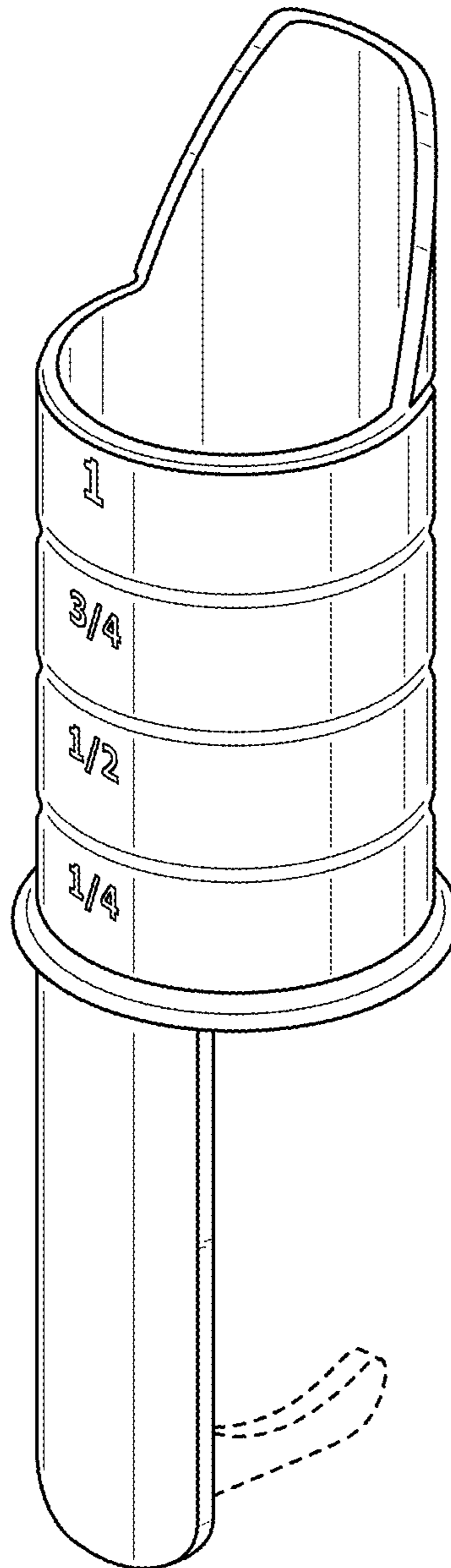


FIG. 1

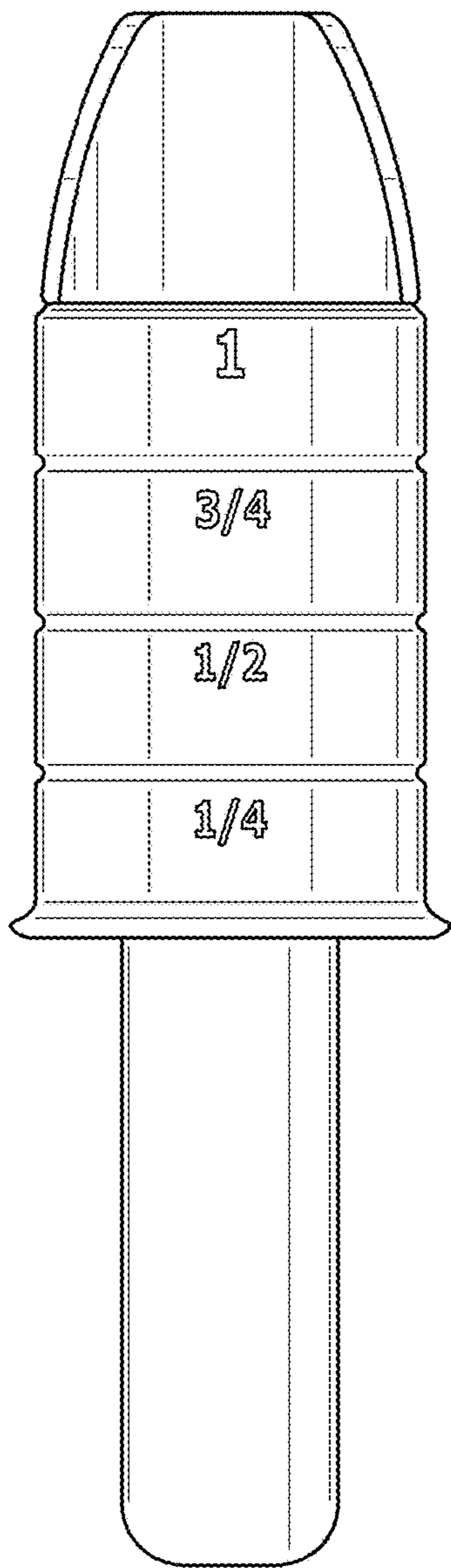


FIG. 2

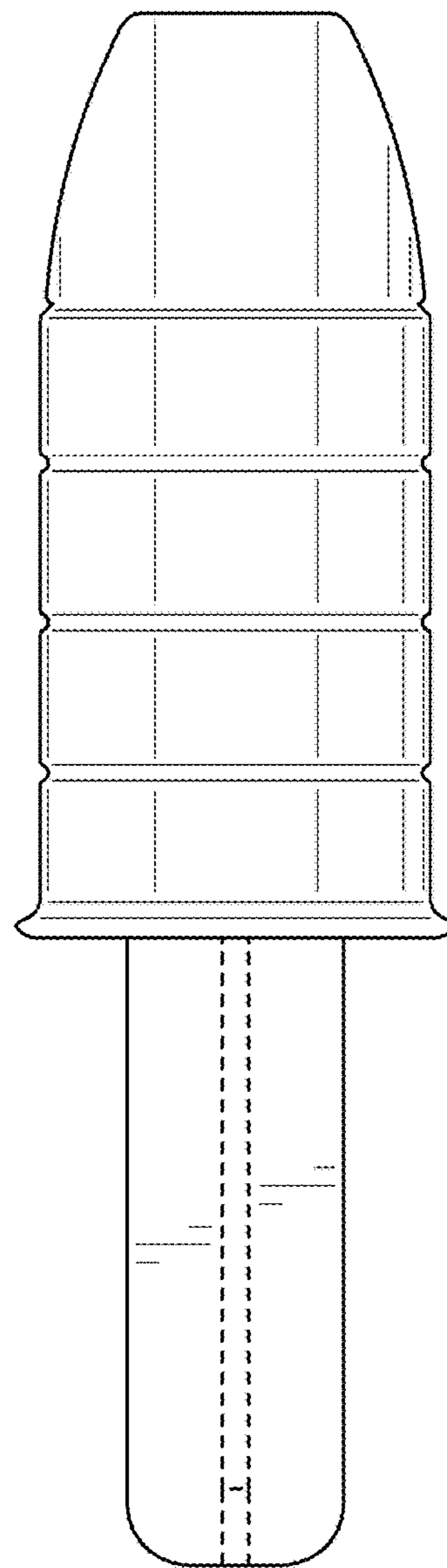


FIG. 3

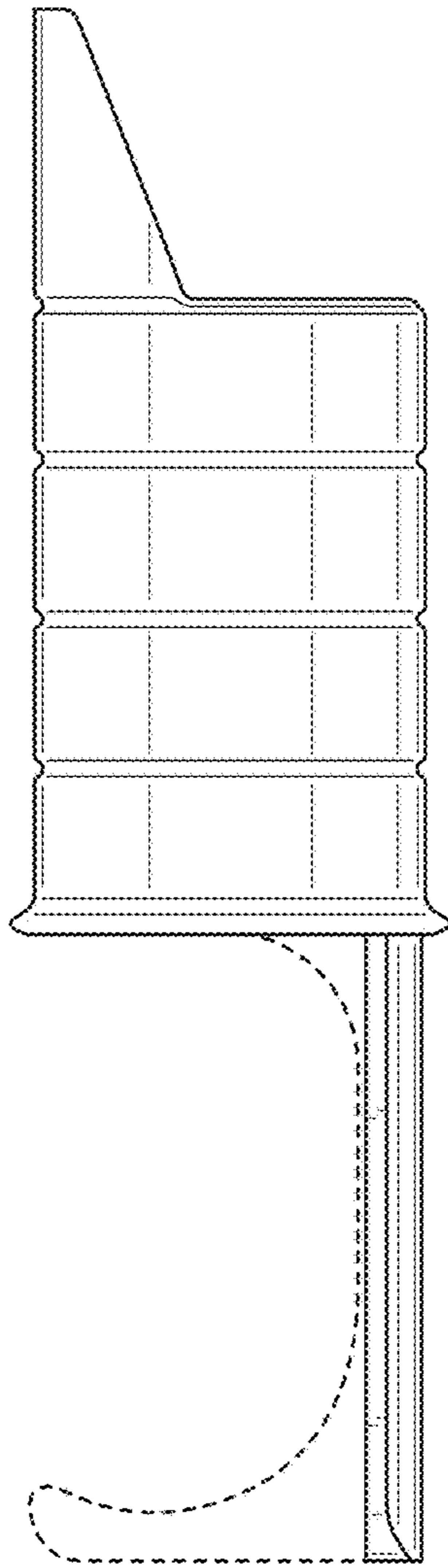


FIG. 4

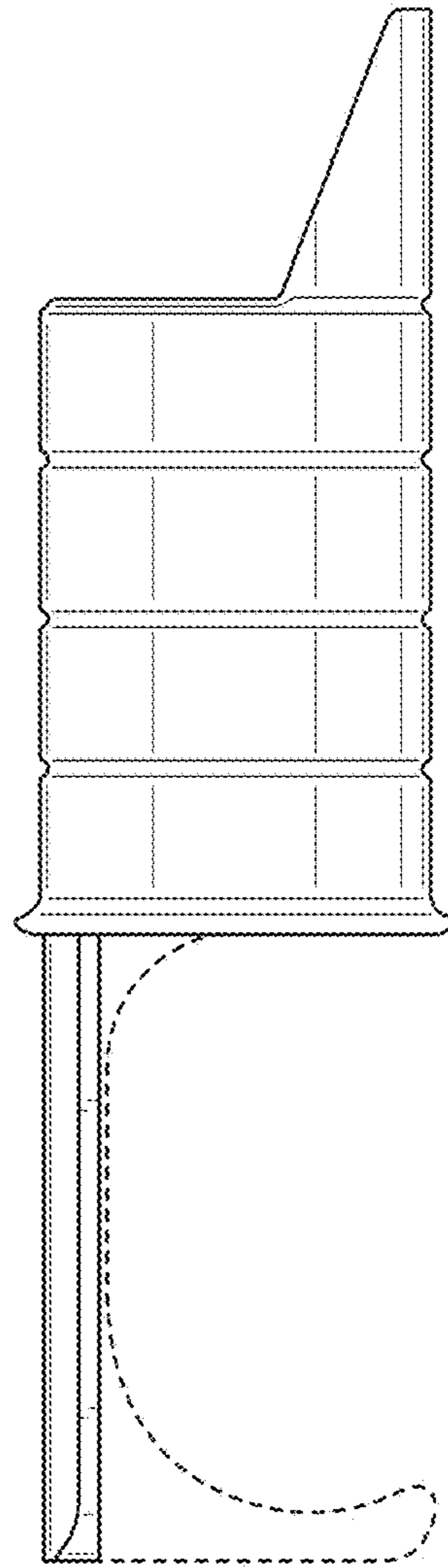


FIG. 5

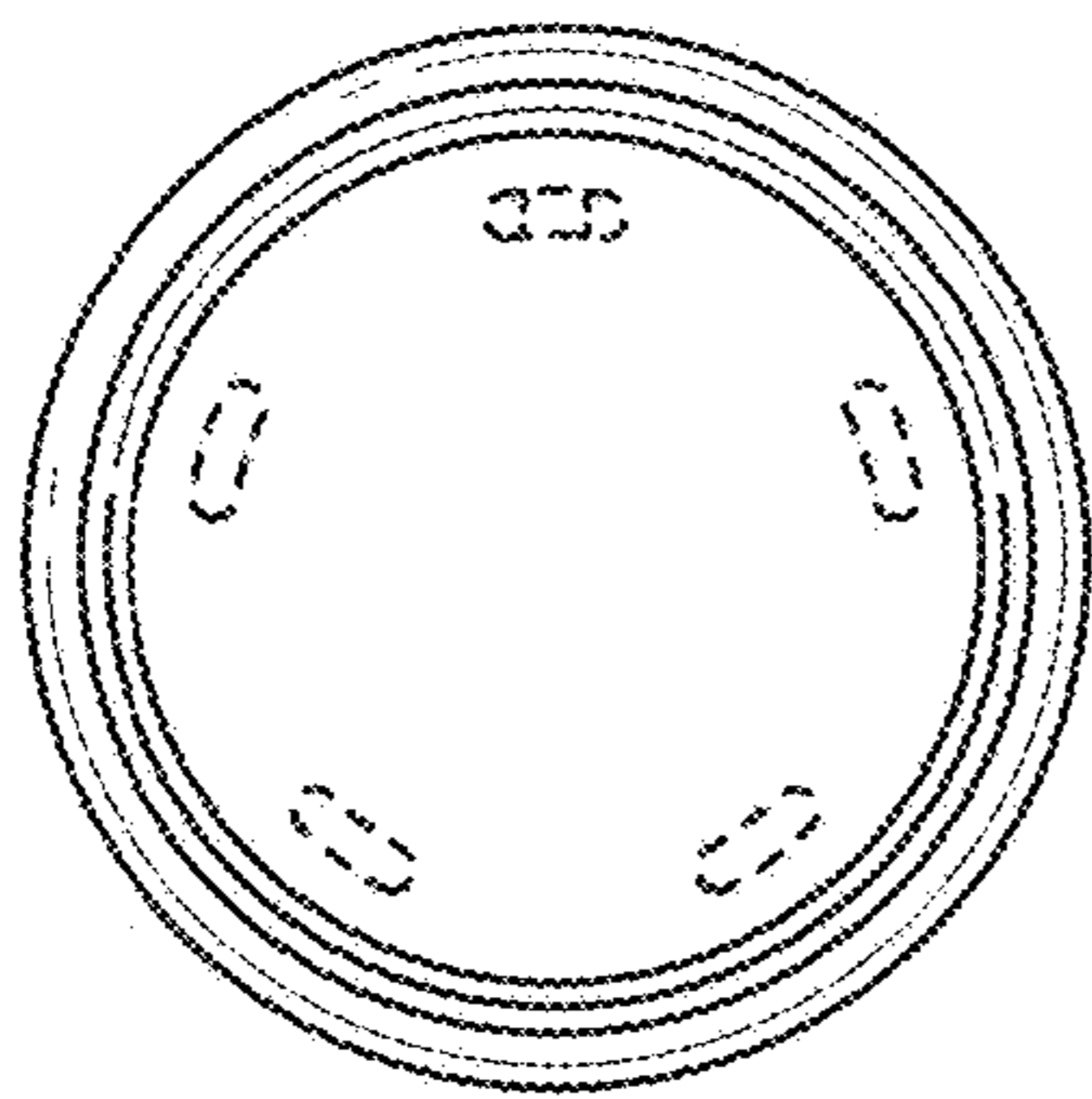


FIG. 6

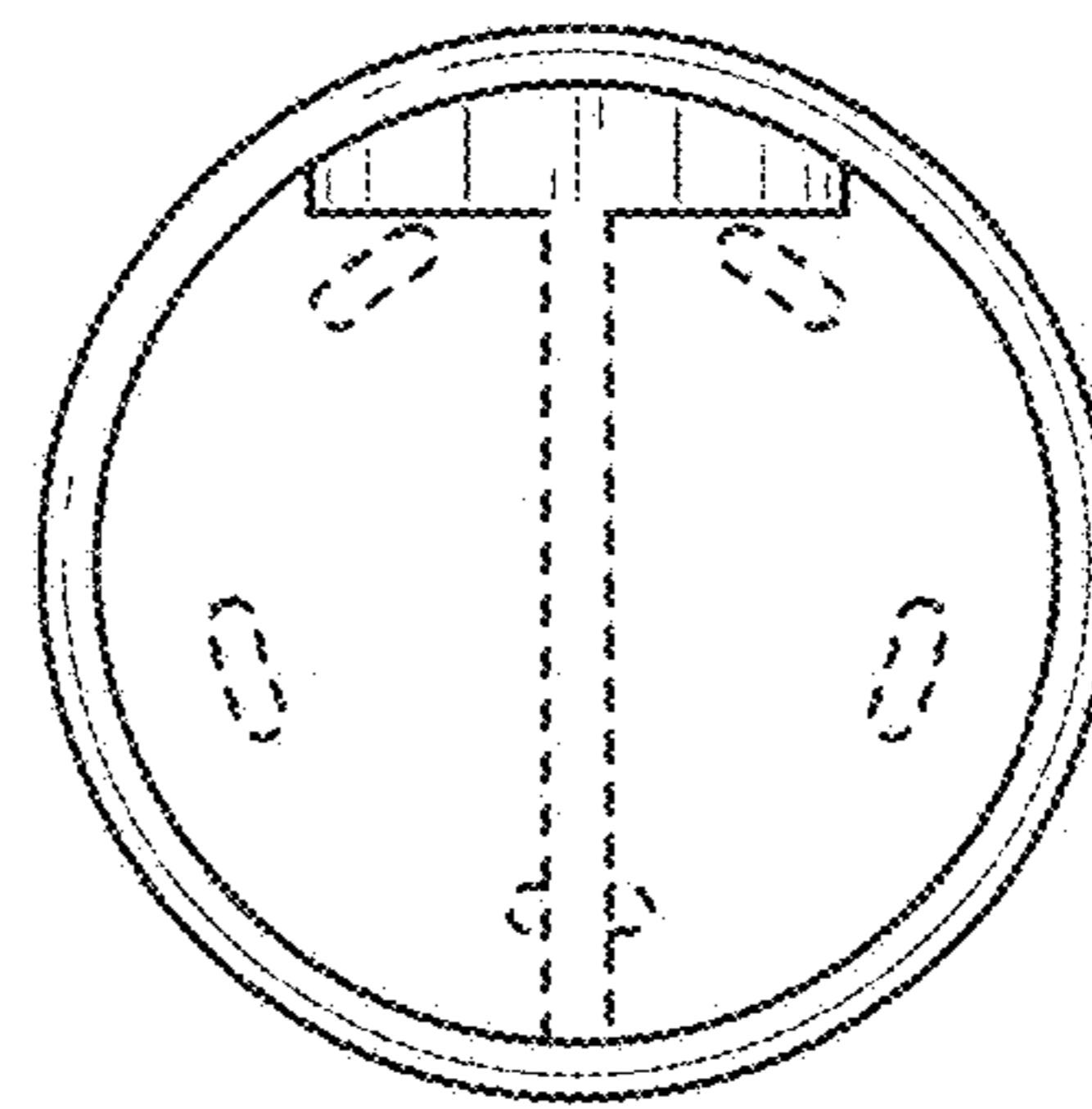


FIG. 7

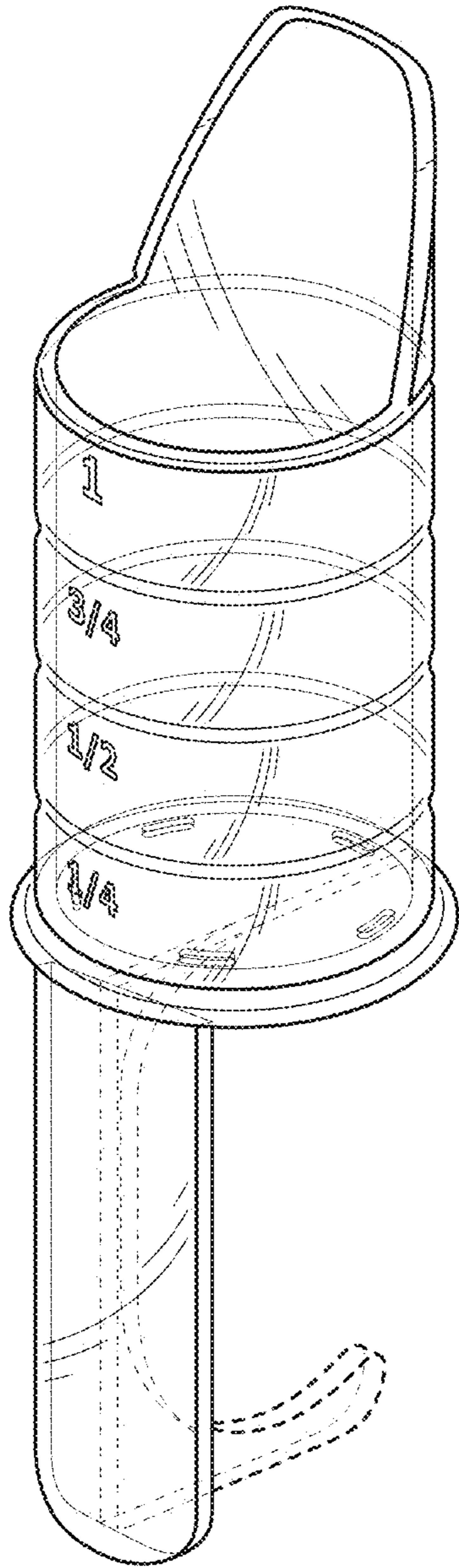


FIG. 8

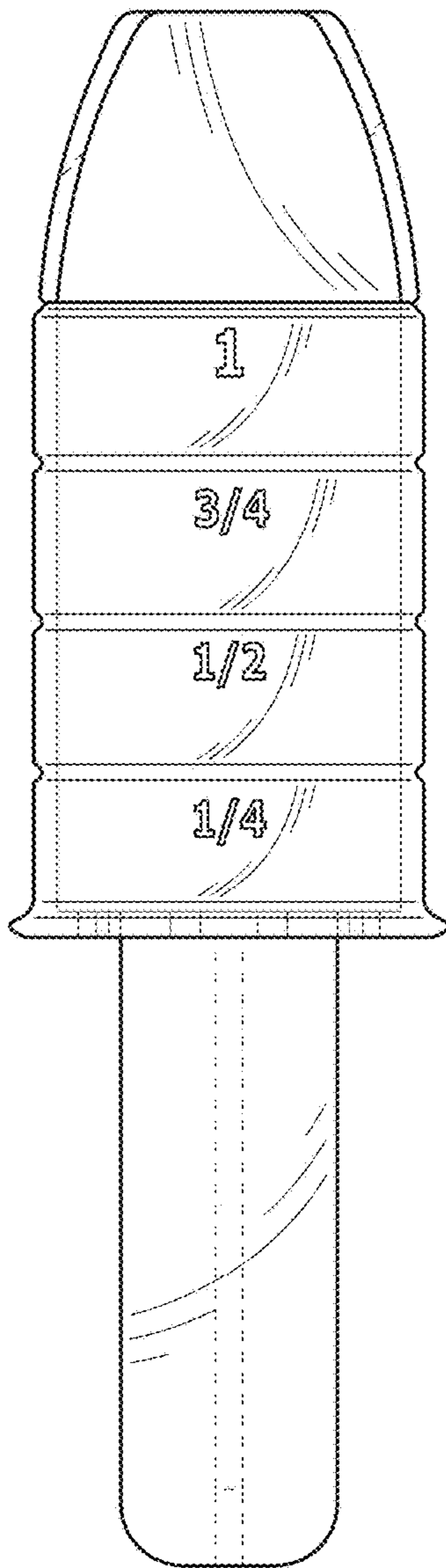


FIG. 9

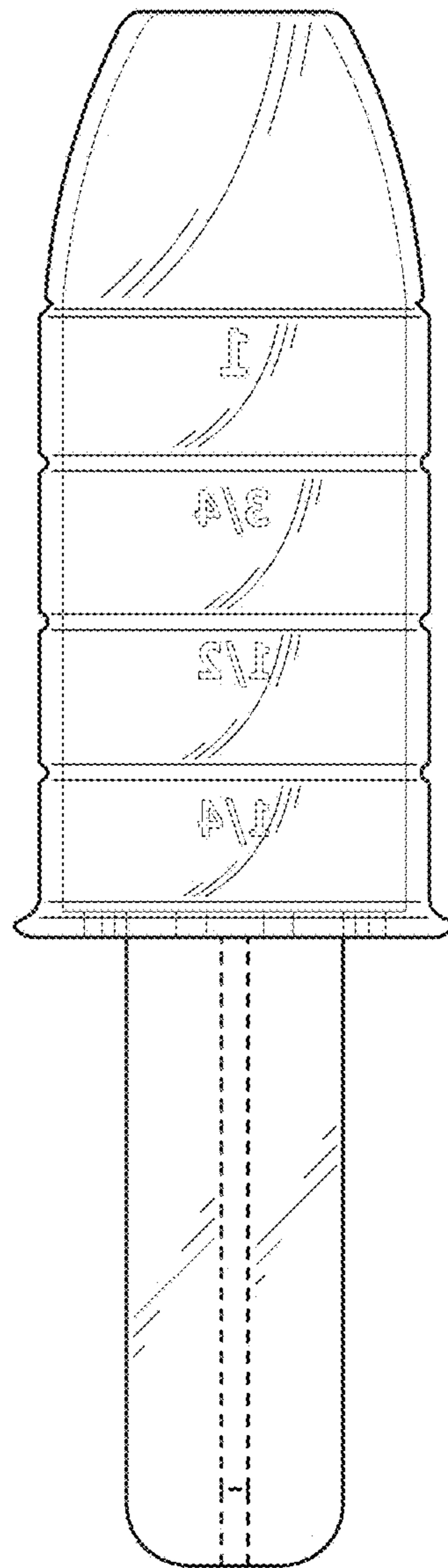


FIG. 10

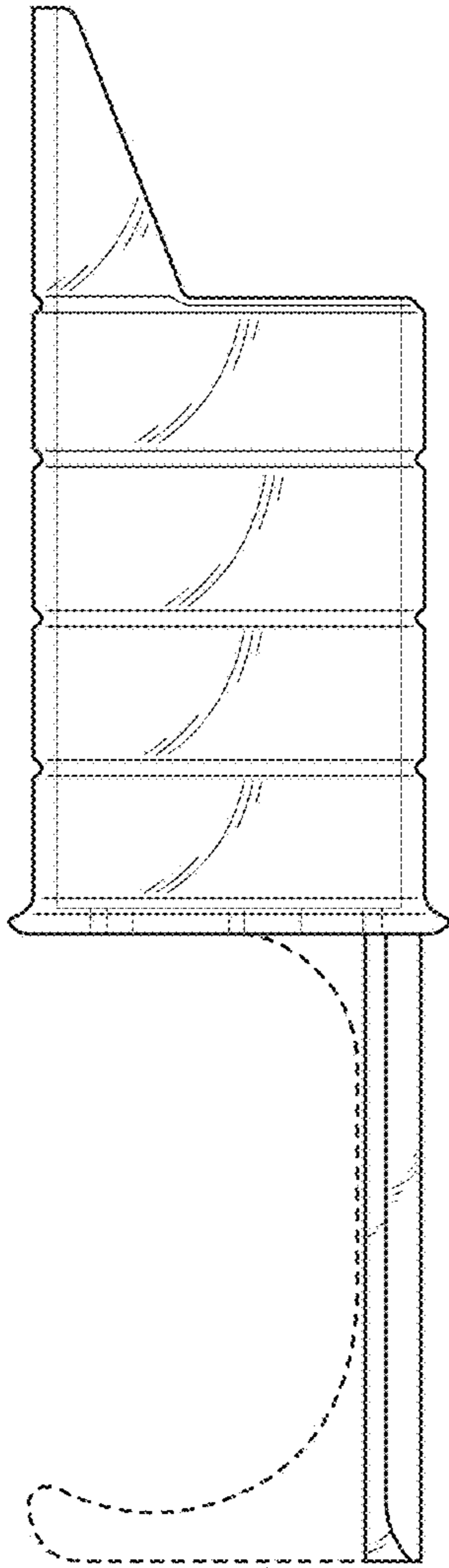


FIG. 11

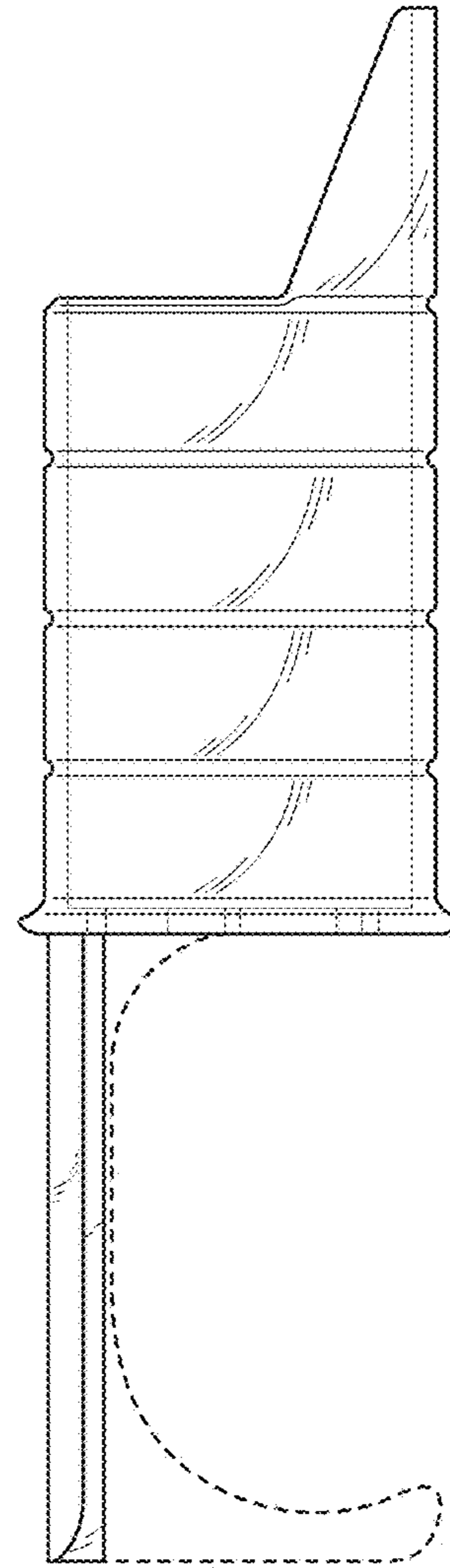


FIG. 12

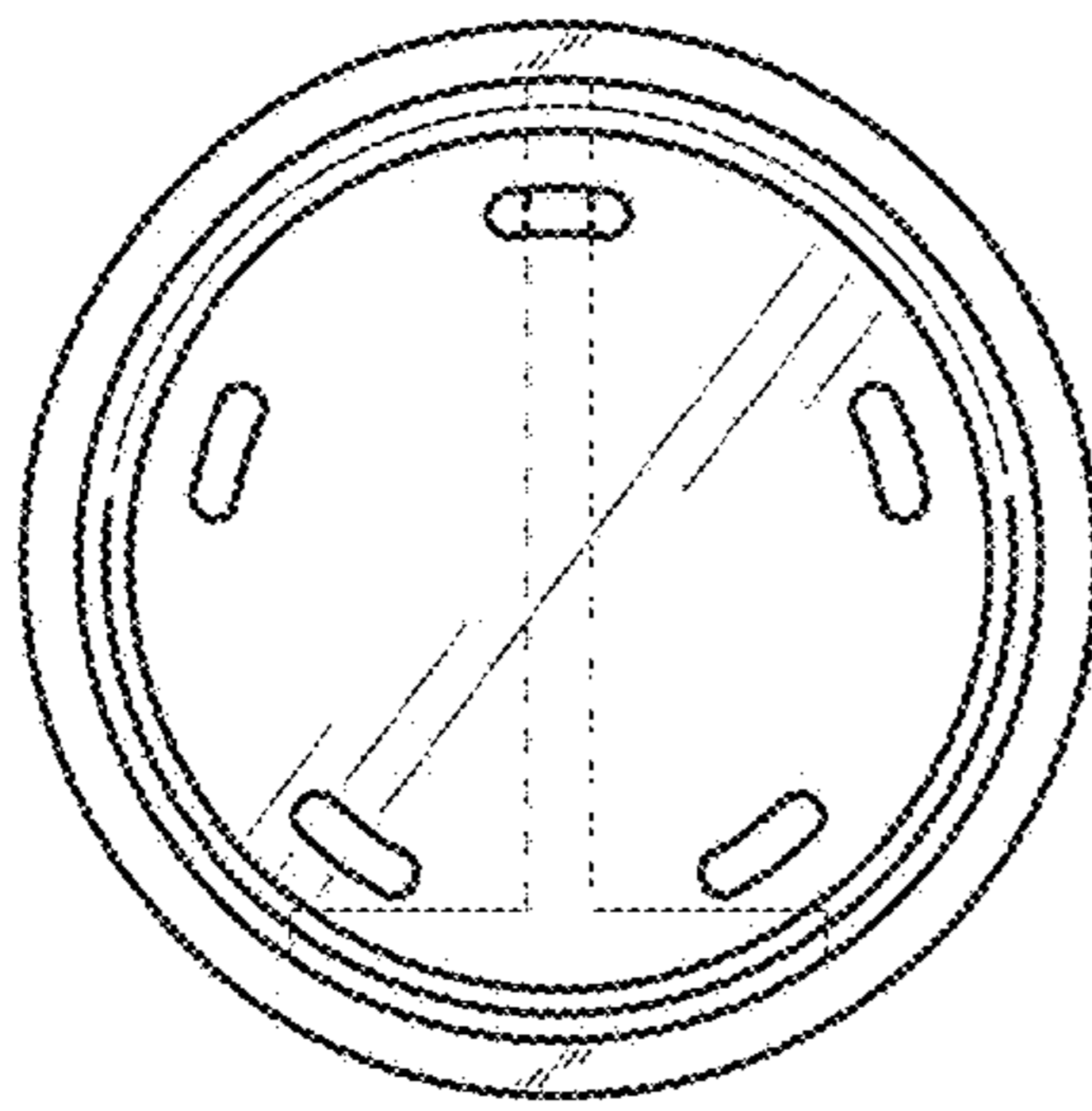


FIG. 13

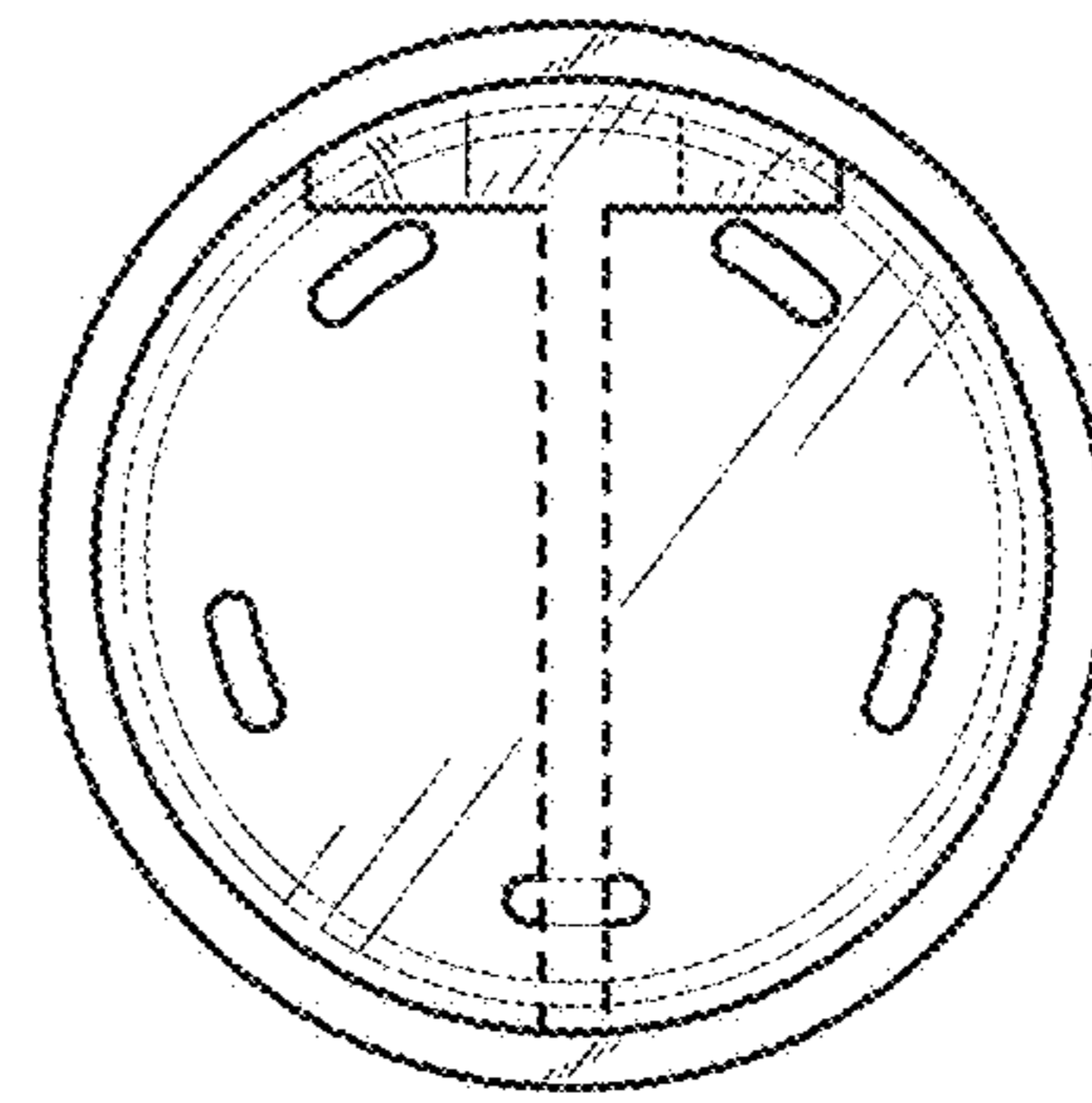


FIG. 14