



US00D834958S

(12) **United States Design Patent** (10) **Patent No.:** **US D834,958 S**  
**Logue** (45) **Date of Patent:** **\*\* \*Dec. 4, 2018**

(54) **MEASURING SCOOP**

(71) Applicant: **LOGUE AND CO. PTY LTD., AS TRUSTEE FOR A.T. & L.M. LOGUE FAMILY TRUST**, Yowie Bay (AU)

(72) Inventor: **Anthony Thomas Logue**, Yowie Bay (AU)

(73) Assignee: **LOGUE AND CO. PTY LTD.**, Yowie Bay, NSW (AU), AS TRUSTEE FOR A.T. & L.M. LOGUE FAMILY TRUST

(\*) Notice: This patent is subject to a terminal disclaimer.

(\*\*) Term: **15 Years**

(21) Appl. No.: **29/553,284**

(22) Filed: **Jan. 29, 2016**

**Related U.S. Application Data**

(62) Division of application No. 29/485,963, filed on Mar. 25, 2014, now Pat. No. Des. 755,652.

(30) **Foreign Application Priority Data**

Sep. 26, 2013 (AU) ..... 15002/2013  
Oct. 23, 2013 (AU) ..... 15450/2013

(Continued)

(51) **LOC (11) Cl.** ..... **10-04**

(52) **U.S. Cl.**  
USPC ..... **D10/46.2; D9/447**

(58) **Field of Classification Search**  
USPC ..... D10/46.2, 46.3, 96, 101; D9/435, 436, D9/440, 447; D24/116; D7/392, 396.2,  
(Continued)

(56) **References Cited**

U.S. PATENT DOCUMENTS

202,268 A \* 4/1878 Keller ..... B65D 41/26  
141/381  
535,125 A \* 3/1895 Vincent ..... B65D 41/26  
141/381

(Continued)

*Primary Examiner* — Susan Bennett Hattan

*Assistant Examiner* — Brett Miller

(74) *Attorney, Agent, or Firm* — Sughrue Mion, PLLC

(57) **CLAIM**

The ornamental design for a measuring scoop, as shown and described.

**DESCRIPTION**

FIG. 1 is a front perspective view of a first embodiment of my design;

FIG. 2 is a front view thereof;

FIG. 3 is rear view thereof;

FIG. 4 is right side view thereof;

FIG. 5 is left side view thereof;

FIG. 6 is top view thereof;

FIG. 7 is bottom view thereof;

FIG. 8 is a front perspective view of a second embodiment of my design;

FIG. 9 is a front view thereof;

FIG. 10 is rear view thereof;

FIG. 11 is right side view thereof;

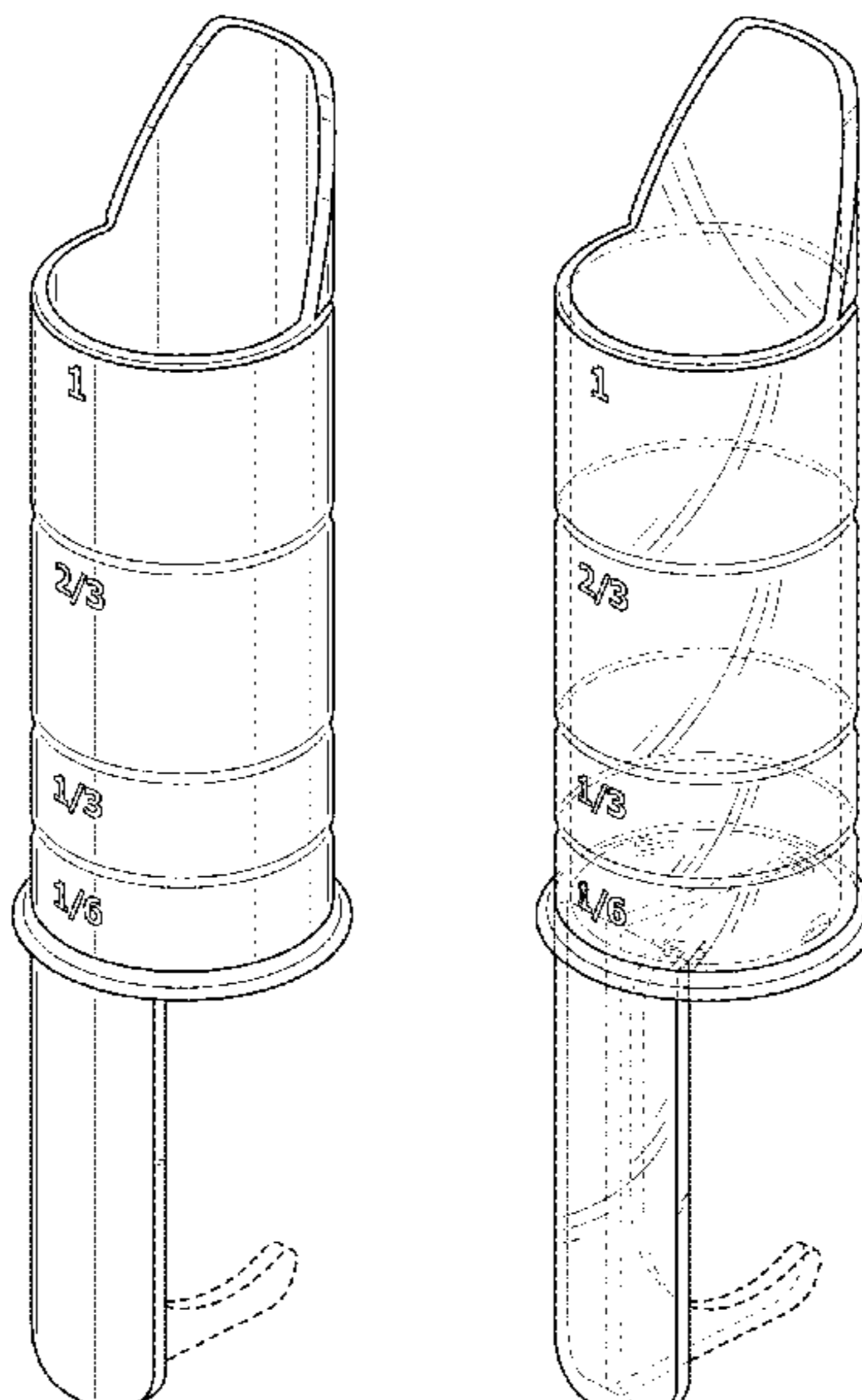
FIG. 12 is left side view thereof;

FIG. 13 is top view thereof; and,

FIG. 14 is bottom view thereof.

The broken lines shown in the drawings represent portions of the measuring scoop which form no part of the claimed design.

**1 Claim, 8 Drawing Sheets**



(30) **Foreign Application Priority Data**

Dec. 2, 2013 (AU) ..... 16332/2013  
 Dec. 2, 2013 (AU) ..... 16333/2013

(58) **Field of Classification Search**

USPC ..... D7/397-398; 141/381; 222/566;  
 220/717  
 CPC ..... B65D 41/26; B65D 47/06; G01F 19/00;  
 G01F 19/002  
 See application file for complete search history.

(56) **References Cited**

U.S. PATENT DOCUMENTS

1,419,580 A \* 6/1922 Molinari ..... G01F 19/00  
 141/381  
 1,648,512 A \* 11/1927 Stock ..... A47J 41/0083  
 D9/447  
 2,133,318 A \* 10/1938 Arato ..... A47G 19/2216  
 220/717

2,317,046 A \* 4/1943 Fleming ..... B65D 41/12  
 220/717  
 2,678,142 A \* 5/1954 Creed ..... B65D 47/06  
 220/717  
 3,045,723 A \* 7/1962 Gainor ..... B65D 51/247  
 141/381  
 D197,025 S \* 12/1963 Marcus ..... D10/46.2  
 D252,371 S \* 7/1979 Folli ..... D10/46.2  
 D276,555 S \* 11/1984 Noble ..... D10/46.2  
 5,377,879 A \* 1/1995 Isaacs ..... G01F 19/002  
 D10/46.2  
 D366,840 S \* 2/1996 Schagerstrom ..... D10/46.2  
 D419,090 S \* 1/2000 Folos ..... D10/101  
 D612,237 S \* 3/2010 Richey ..... D9/447  
 D686,076 S \* 7/2013 Traxler ..... D9/447  
 D720,241 S \* 12/2014 Logue ..... D10/46.2  
 D777,031 S \* 1/2017 Katopis ..... D9/436  
 D781,645 S \* 3/2017 Lau ..... D7/397  
 2004/0140315 A1 \* 7/2004 Reinoso ..... B65D 47/06  
 220/717  
 2015/0284150 A1 \* 10/2015 Doubles ..... B65D 41/26  
 222/1

\* cited by examiner

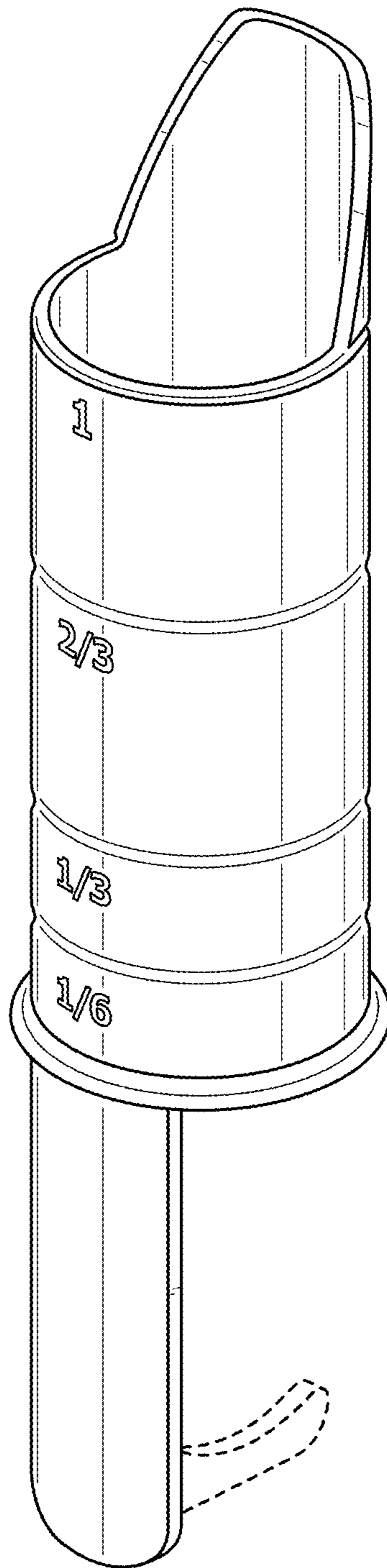


FIG. 1

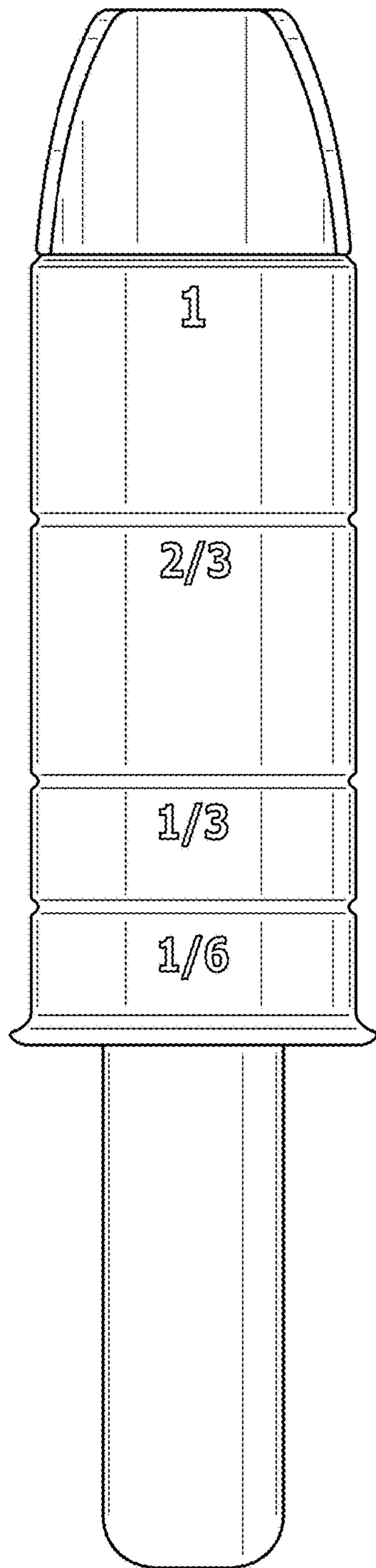


FIG. 2

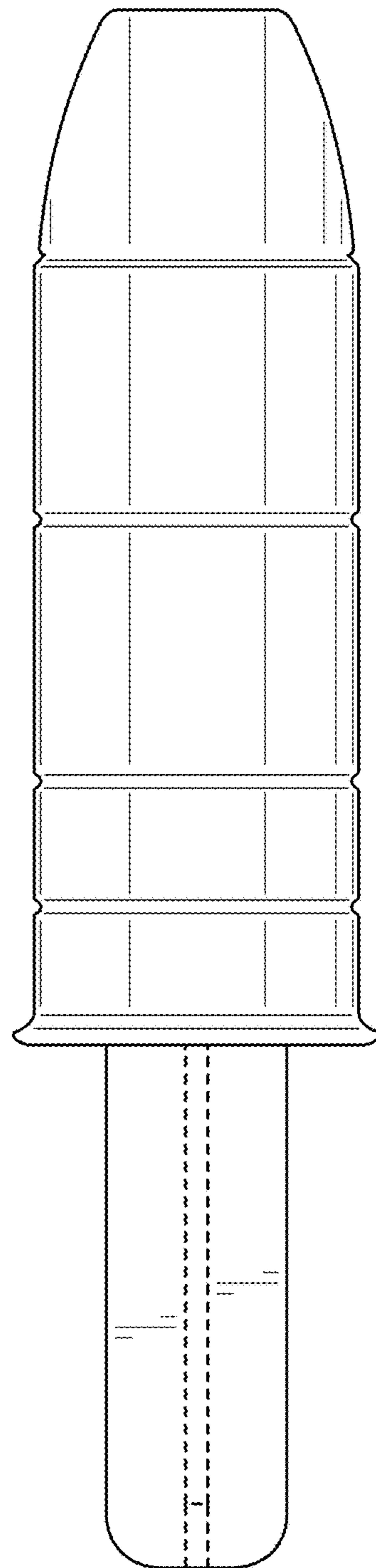


FIG. 3

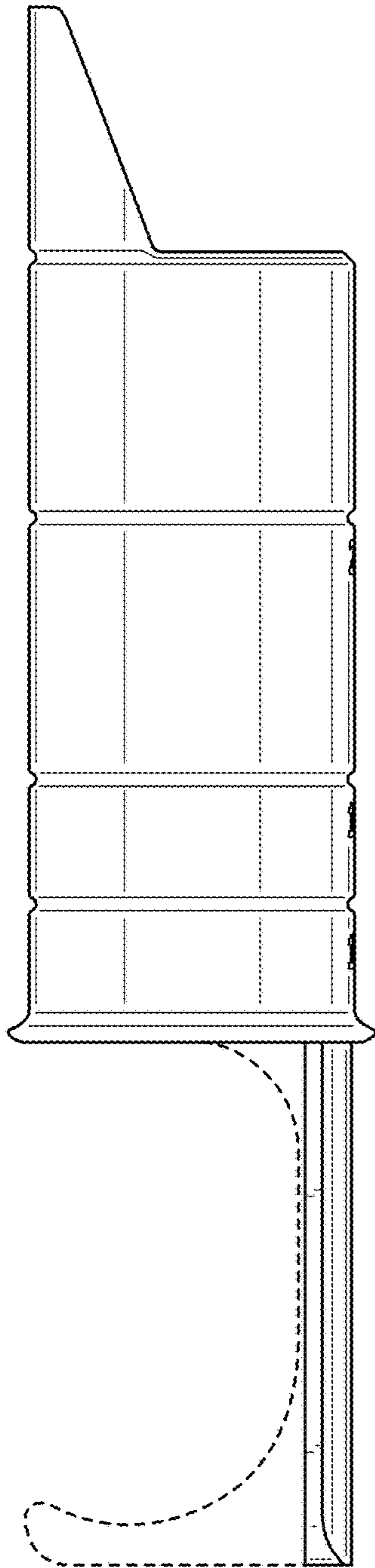


FIG. 4

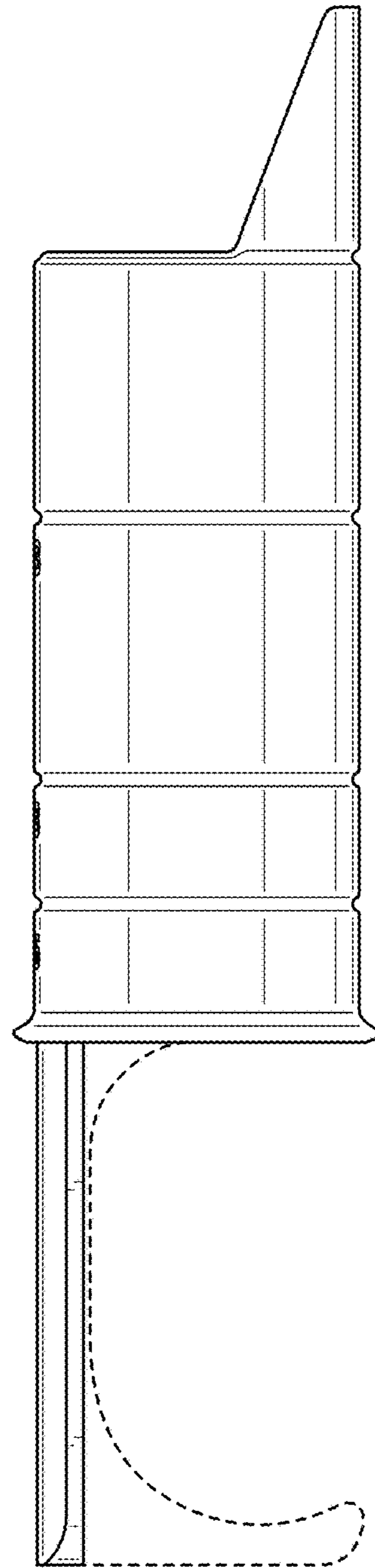


FIG. 5

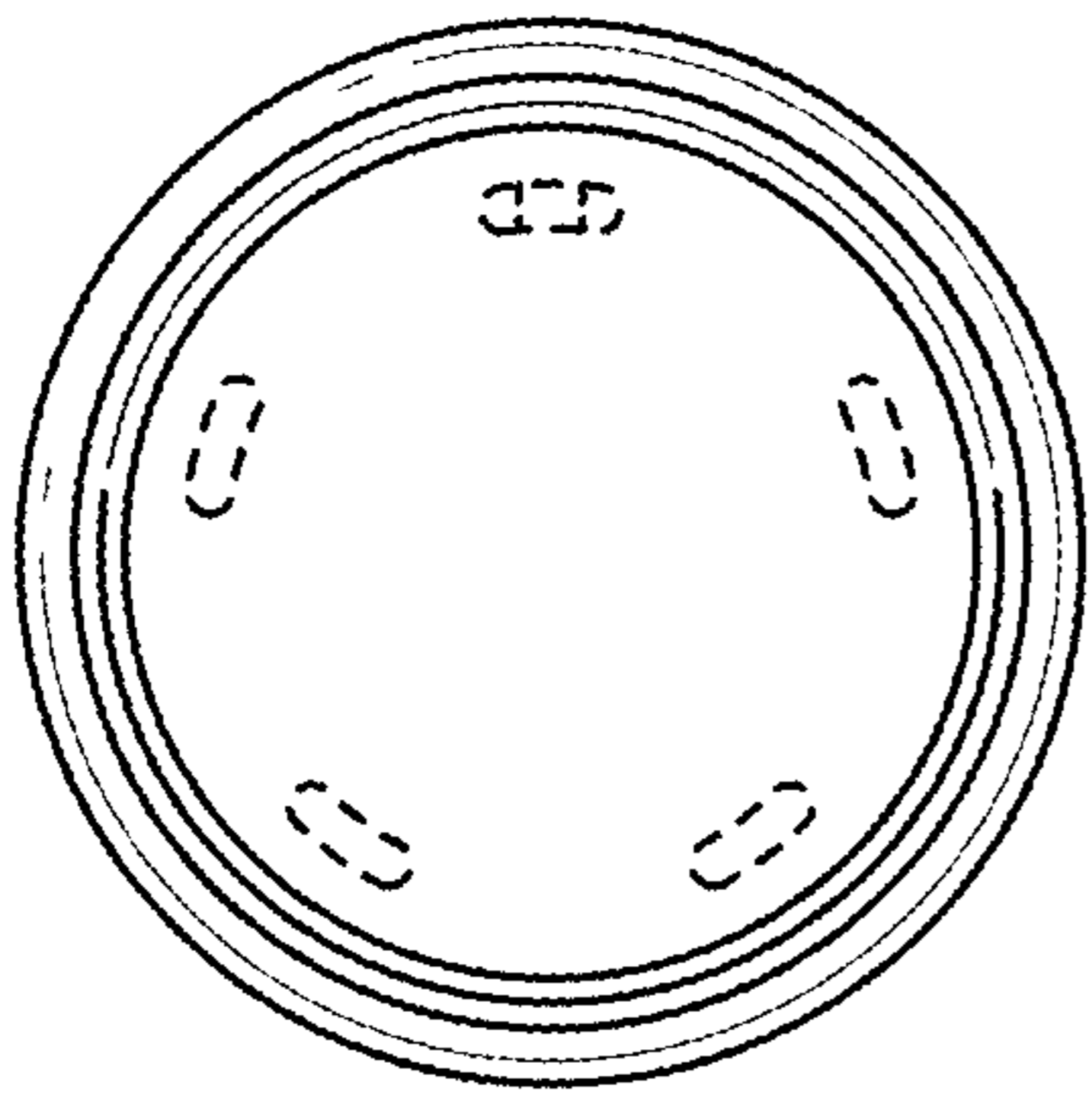


FIG. 6

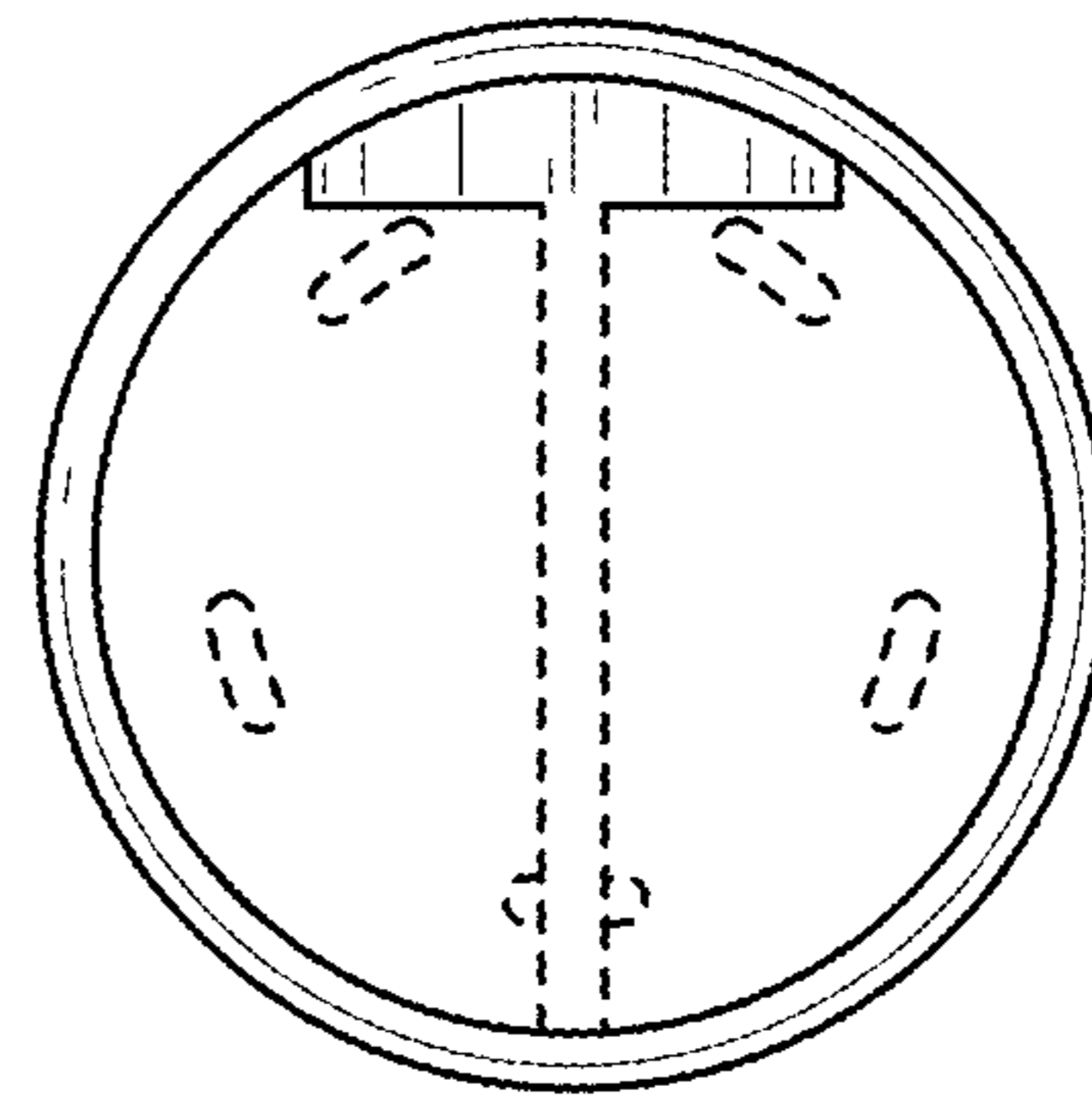


FIG. 7

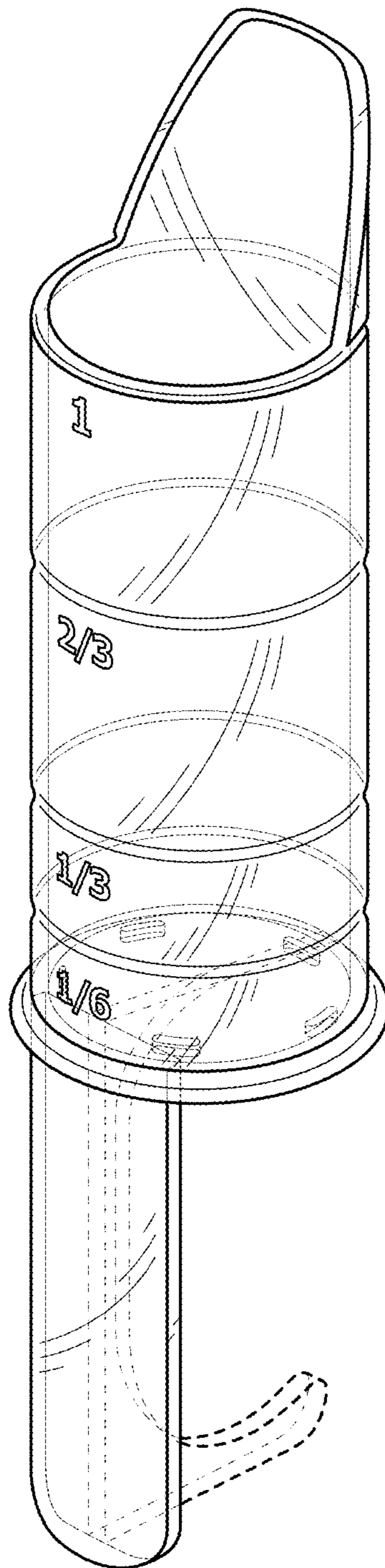


FIG. 8

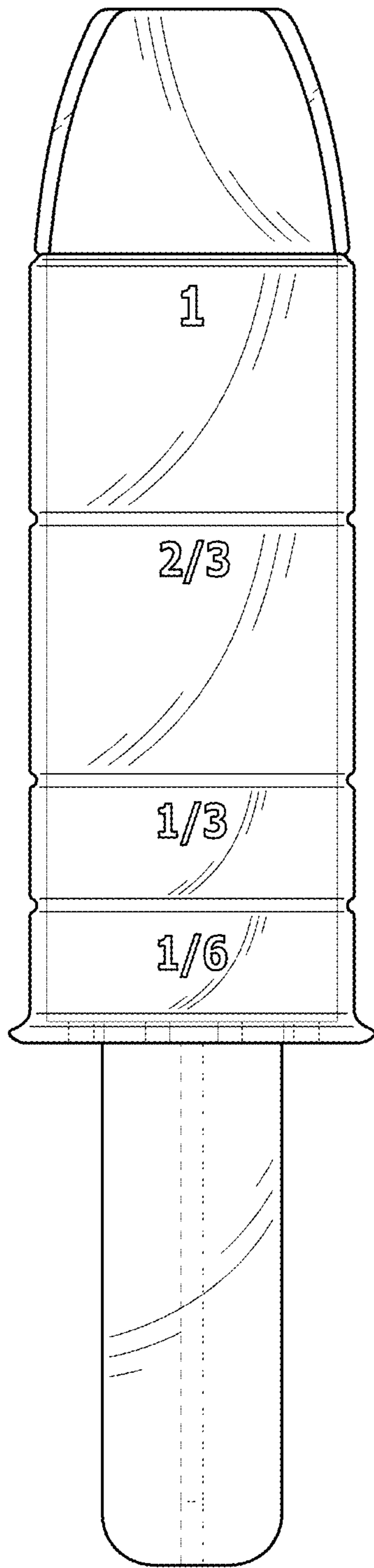


FIG. 9

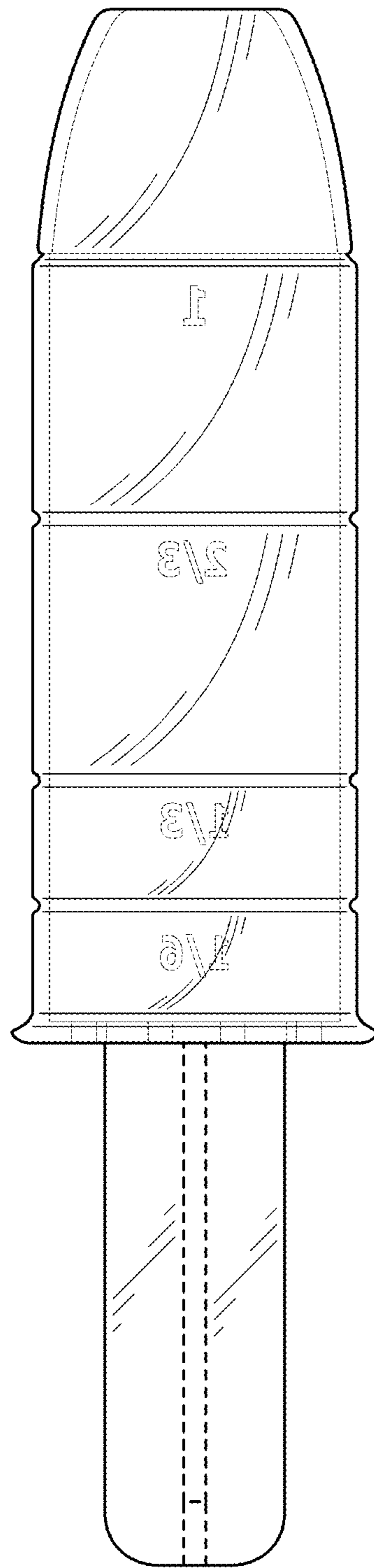


FIG. 10



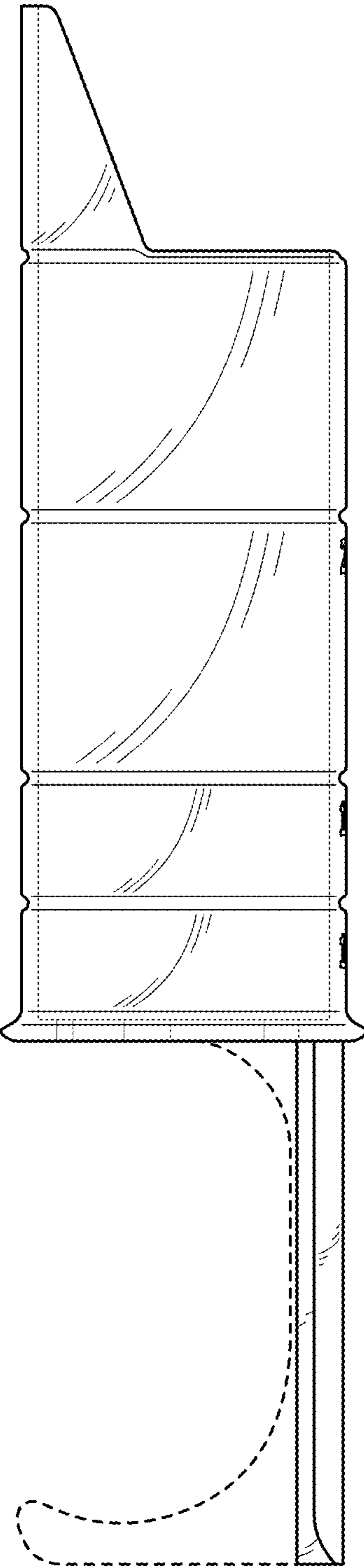


FIG. 11

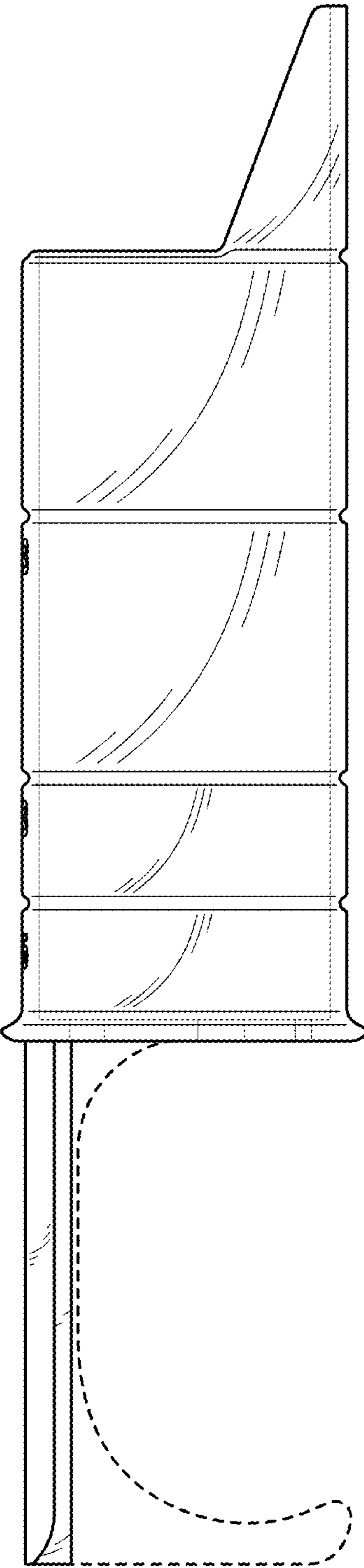


FIG. 12

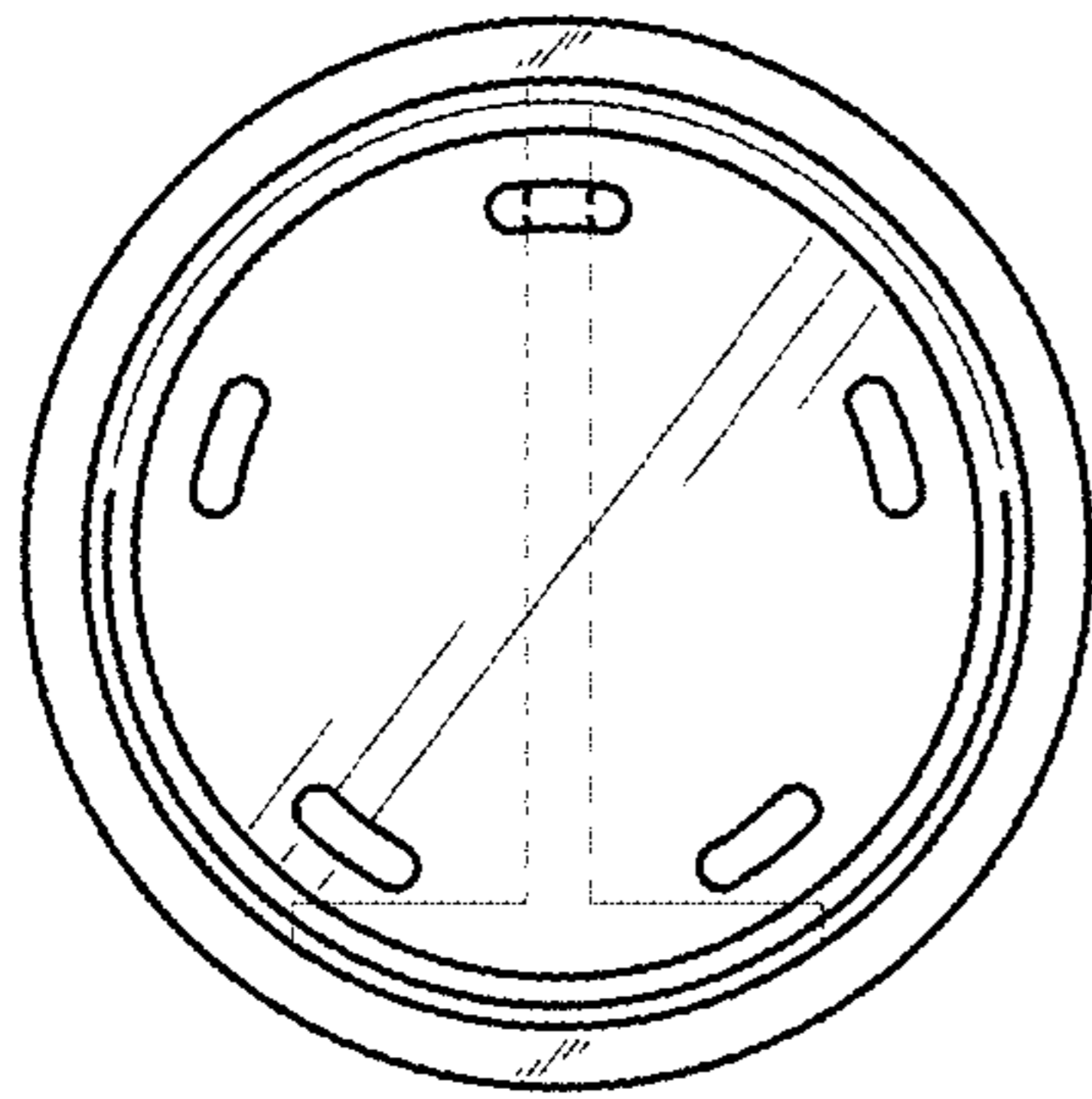


FIG. 13

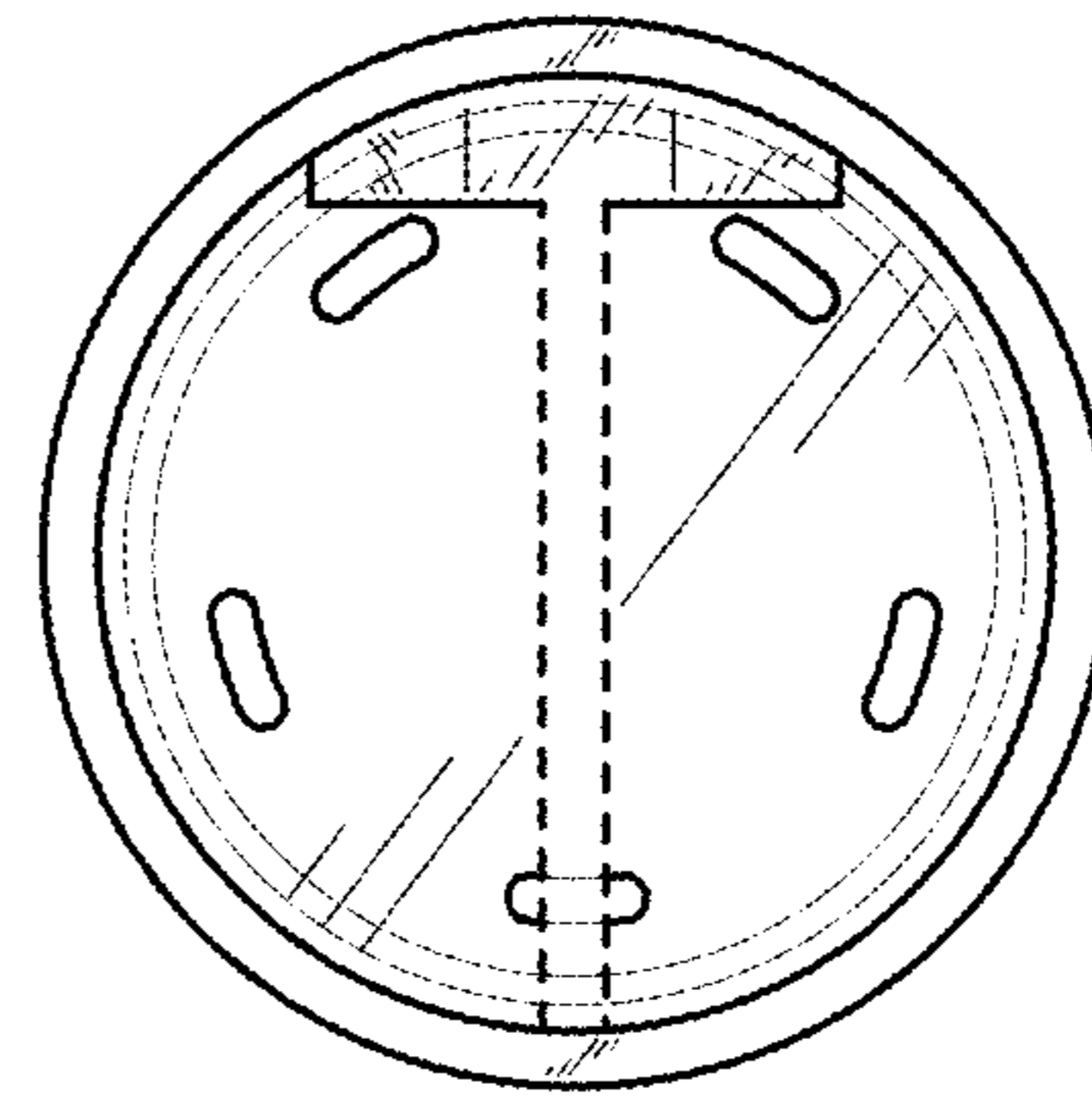


FIG. 14