



US00D834957S

(12) **United States Design Patent** (10) **Patent No.:** **US D834,957 S**
Hamilton (45) **Date of Patent:** **** Dec. 4, 2018**

(54) **TIME BOARD**
(71) Applicant: **Viller Hamilton**, Anaheim, CA (US)
(72) Inventor: **Viller Hamilton**, Anaheim, CA (US)
(**) Term: **15 Years**
(21) Appl. No.: **29/603,213**
(22) Filed: **May 8, 2017**
(51) **LOC (11) Cl.** **10-03**
(52) **U.S. Cl.**
USPC **D10/41**
(58) **Field of Classification Search**
USPC D10/1, 2-3, 5-7, 14-15, 22-28, 40-41,
D10/46.1, 46.2, 49-50, 52, 55, 59,
D10/122-124, 126-128, 132;
D14/170-171, 197, 218, 489-490, 492;
D15/28; D20/20-21, 29; D7/589
CPC G04B 19/00; G04B 19/04; G04B 19/042;
G04B 19/044; G04B 19/06; G04B
19/065; G04B 19/08; G04B 19/085;
G04B 19/26; G04B 19/264; G04B
45/0069; G04B 47/02; G04B 47/04;
G04B 47/048; G04C 3/001; G04C 19/00;
G04C 19/02; G04C 19/06; G04F 1/00;
G04F 3/00; G04F 3/02; A47J 31/407
See application file for complete search history.

(56) **References Cited**

U.S. PATENT DOCUMENTS

5,375,103 A * 12/1994 Ulloa G04C 3/001
368/12
D364,354 S * 11/1995 Nunes D10/6
D385,580 S * 10/1997 Hetzer D20/10
5,711,727 A * 1/1998 Edge A63B 43/06
273/DIG. 24
5,713,806 A * 2/1998 Teitgen A63B 71/0054
473/481

6,004,231 A * 12/1999 Schickert A63B 63/083
473/481
D434,681 S * 12/2000 Bertsch D10/46.1
D511,795 S * 11/2005 Hopkins D20/29
D597,422 S * 8/2009 Cowen D10/46.1
D608,848 S * 1/2010 Quinn D21/703
D648,803 S * 11/2011 DeBlonk D20/10
D736,523 S * 8/2015 St. Laurent D6/300
9,132,327 B1 * 9/2015 Roberts A63B 63/083
D801,199 S * 10/2017 Schwenk D10/46.1
D819,740 S * 6/2018 Kaoh D20/12
2004/0035035 A1 * 2/2004 Morris G09F 7/02
40/611.11
2005/0119074 A1 * 6/2005 Waite A63B 63/083
473/481

(Continued)

OTHER PUBLICATIONS

Arduino Basketball PopAShot | posted at instructables.com Feb. 2015 autodesk © 2018 Autodesk, Inc. [online][site visted Jul. 26, 2018]. Available from internet: <<https://www.instructables.com/id/Arduino-Basketball-Pop-a-Shot-Upgrayedd/>> (Year: 2015).*

(Continued)

Primary Examiner — Sandra S Snapp
Assistant Examiner — Katherine Glennon
(74) *Attorney, Agent, or Firm* — IPS Legal Group, P.A.

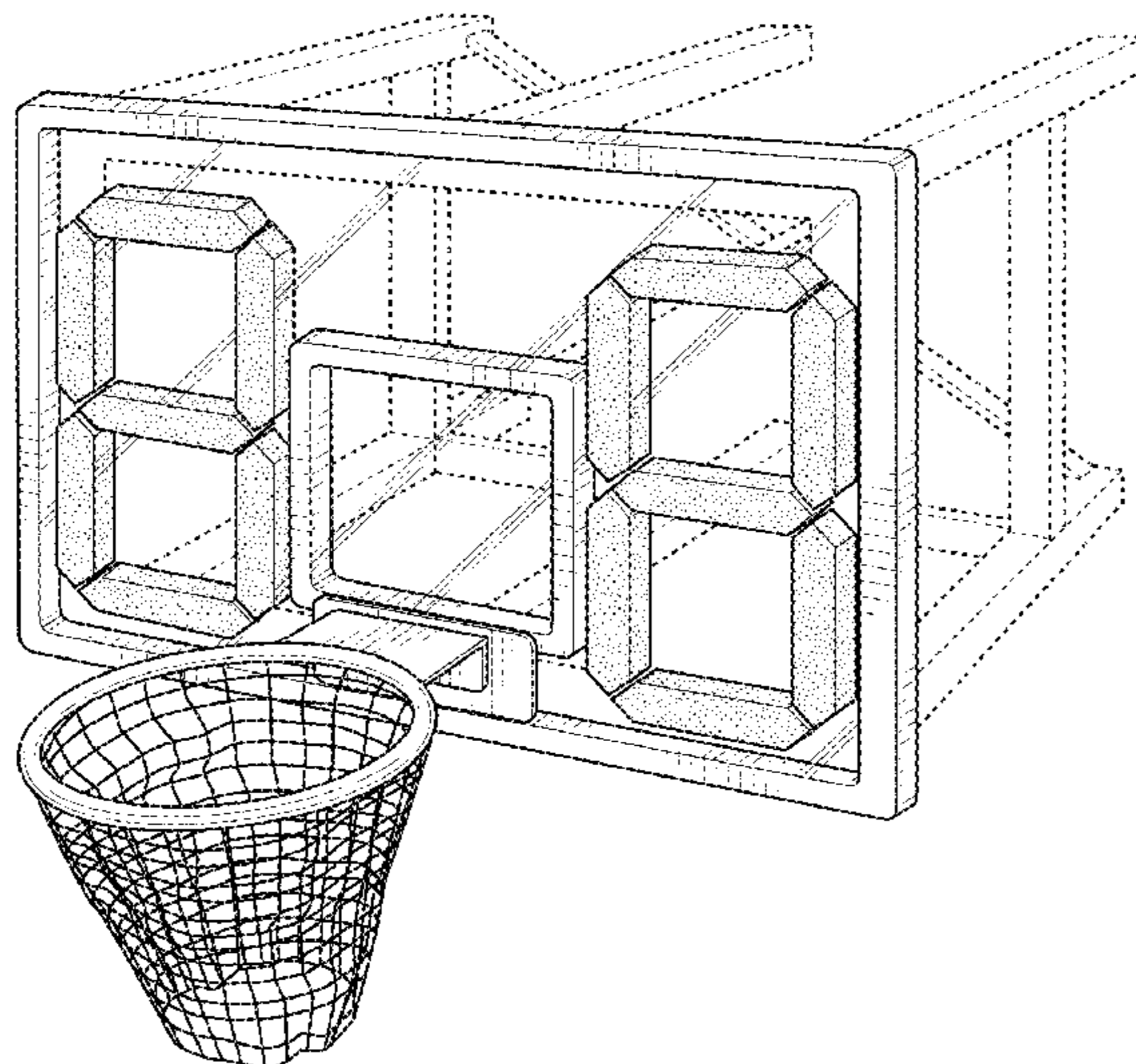
(57) **CLAIM**

An ornamental design for time board, as shown.

DESCRIPTION

FIG. 1 is a perspective view of the present invention.
FIG. 2 is a front view of the present invention.
FIG. 3 is a rear view of the present invention.
FIG. 4 is a left view of the present invention.
FIG. 5 is a right view of the present invention.
FIG. 6 is a top view of the present invention; and,
FIG. 7 is a bottom view of the present invention.

1 Claim, 5 Drawing Sheets



(56)

References Cited

U.S. PATENT DOCUMENTS

2008/0176679 A1* 7/2008 Chin A63B 63/083
473/481
2009/0223433 A1* 9/2009 Cowen A63B 71/06
116/222
2012/0230154 A1* 9/2012 Woycechowsky G07C 1/28
368/10
2012/0256373 A1* 10/2012 Tam A63D 15/20
273/148 R
2017/0007896 A1* 1/2017 Elpers A63B 63/083
2017/0340949 A1* 11/2017 Tsai A63B 71/0669
2018/0028895 A1* 2/2018 Stanfield A63B 71/023

OTHER PUBLICATIONS

Tissot Shot Clock | posted at wired.com Jul. 2016 © 2018 Condé Nast [online][site visited Jul. 26, 2018]. Available from internet: <<https://www.wired.com/2016/07/nbas-new-shot-clock-slick-swiss-made-ticker/>> (Year: 2016).*

* cited by examiner

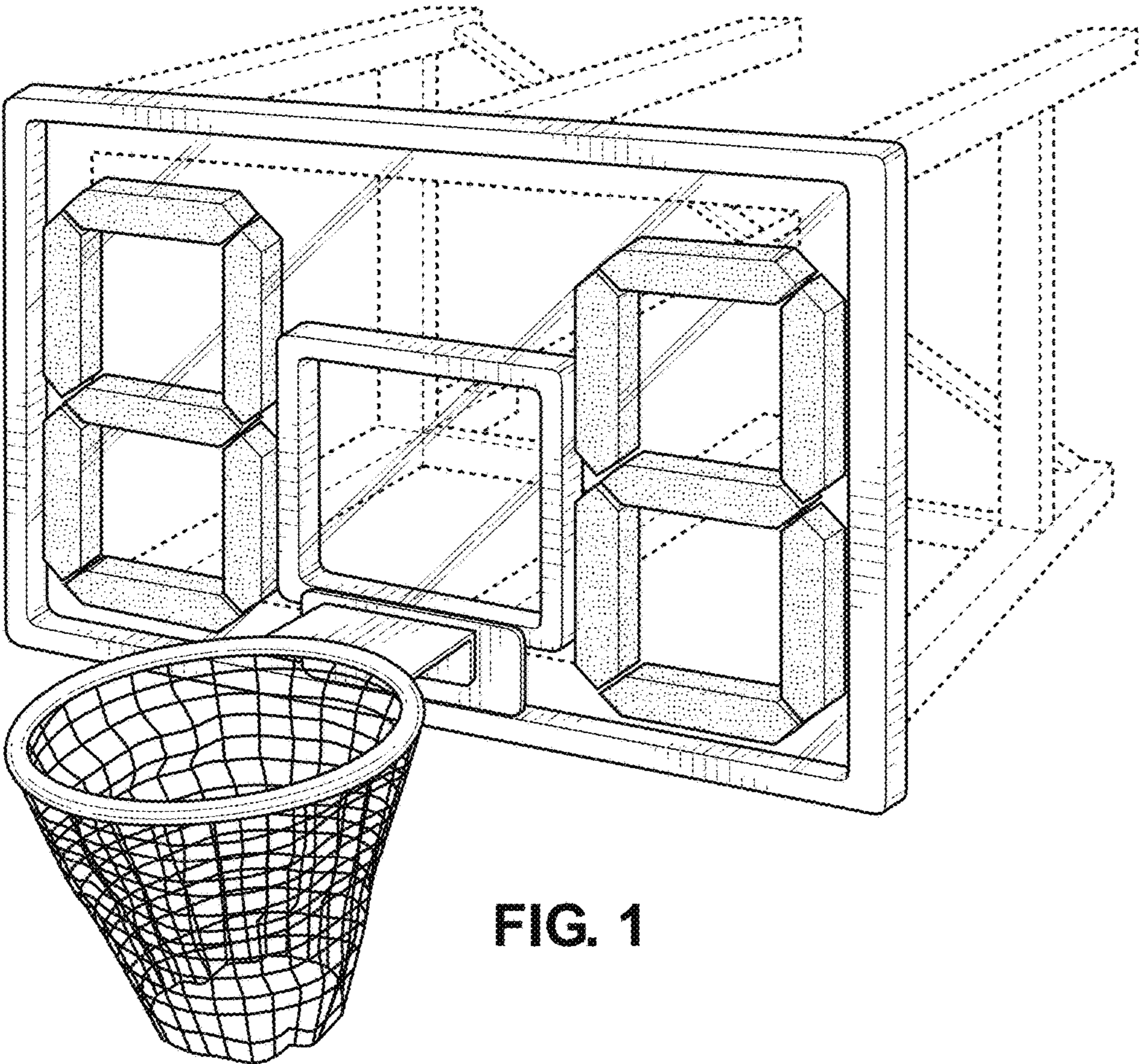
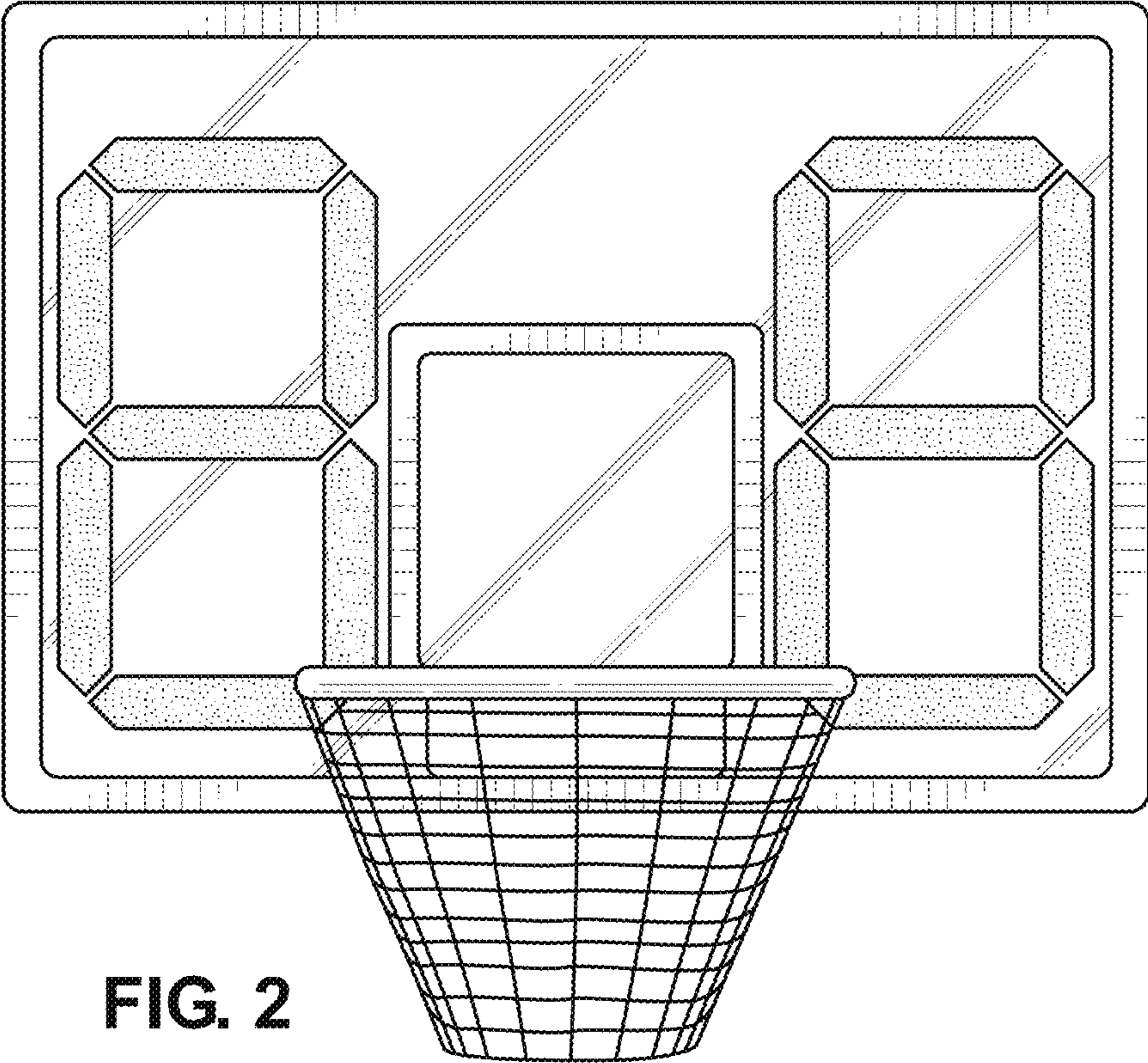
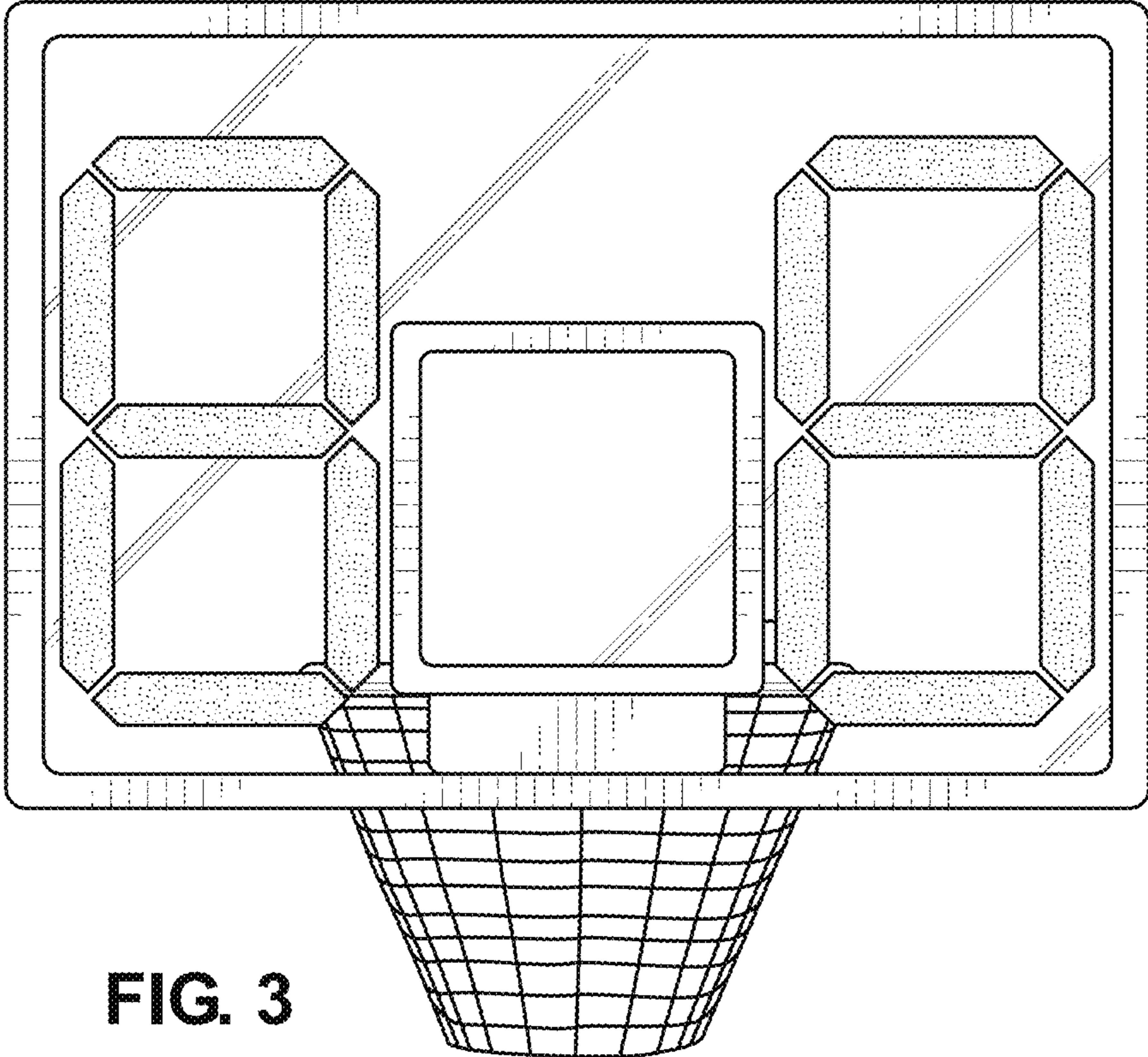


FIG. 1





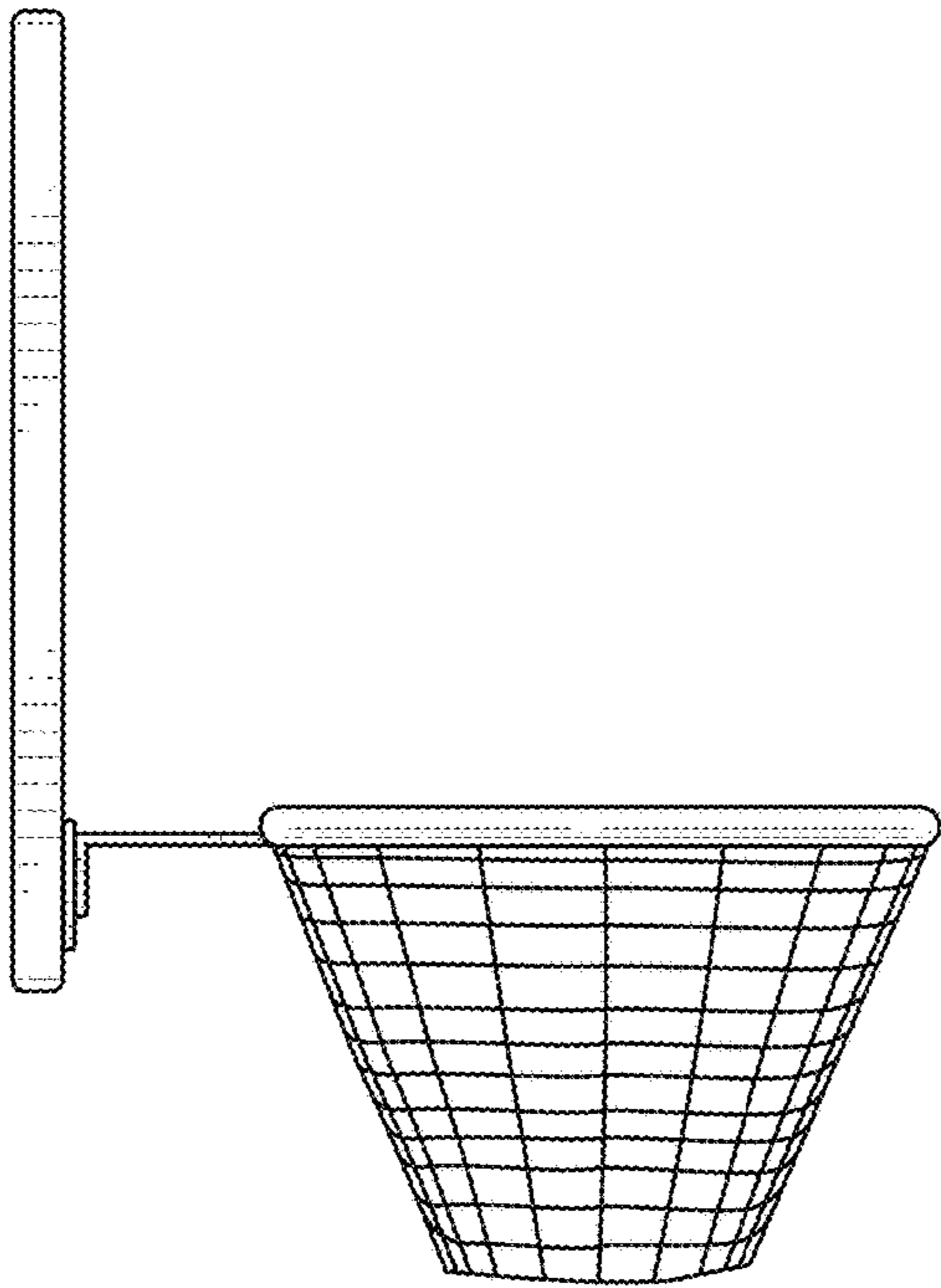


FIG. 4

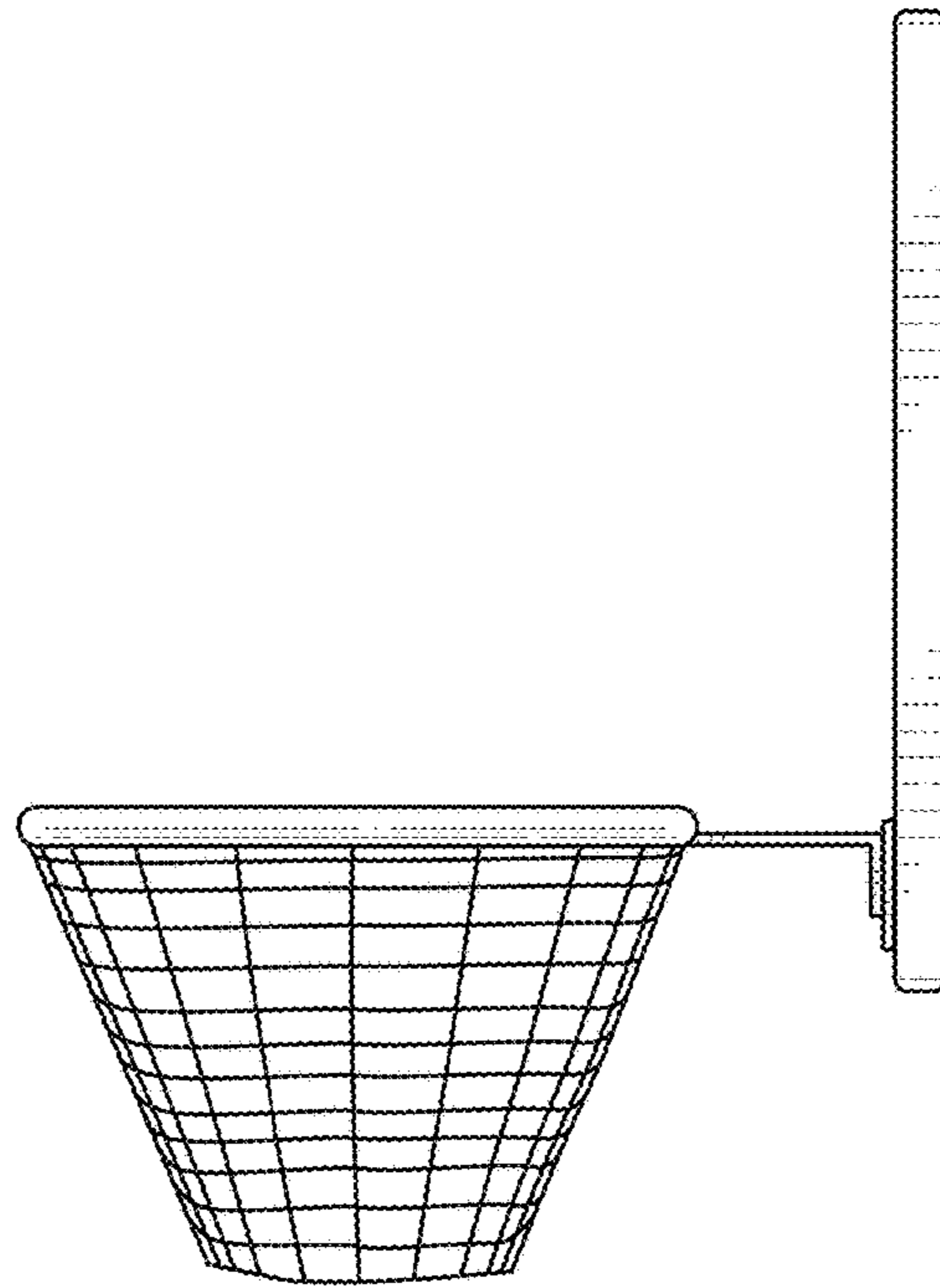


FIG. 5

FIG. 6

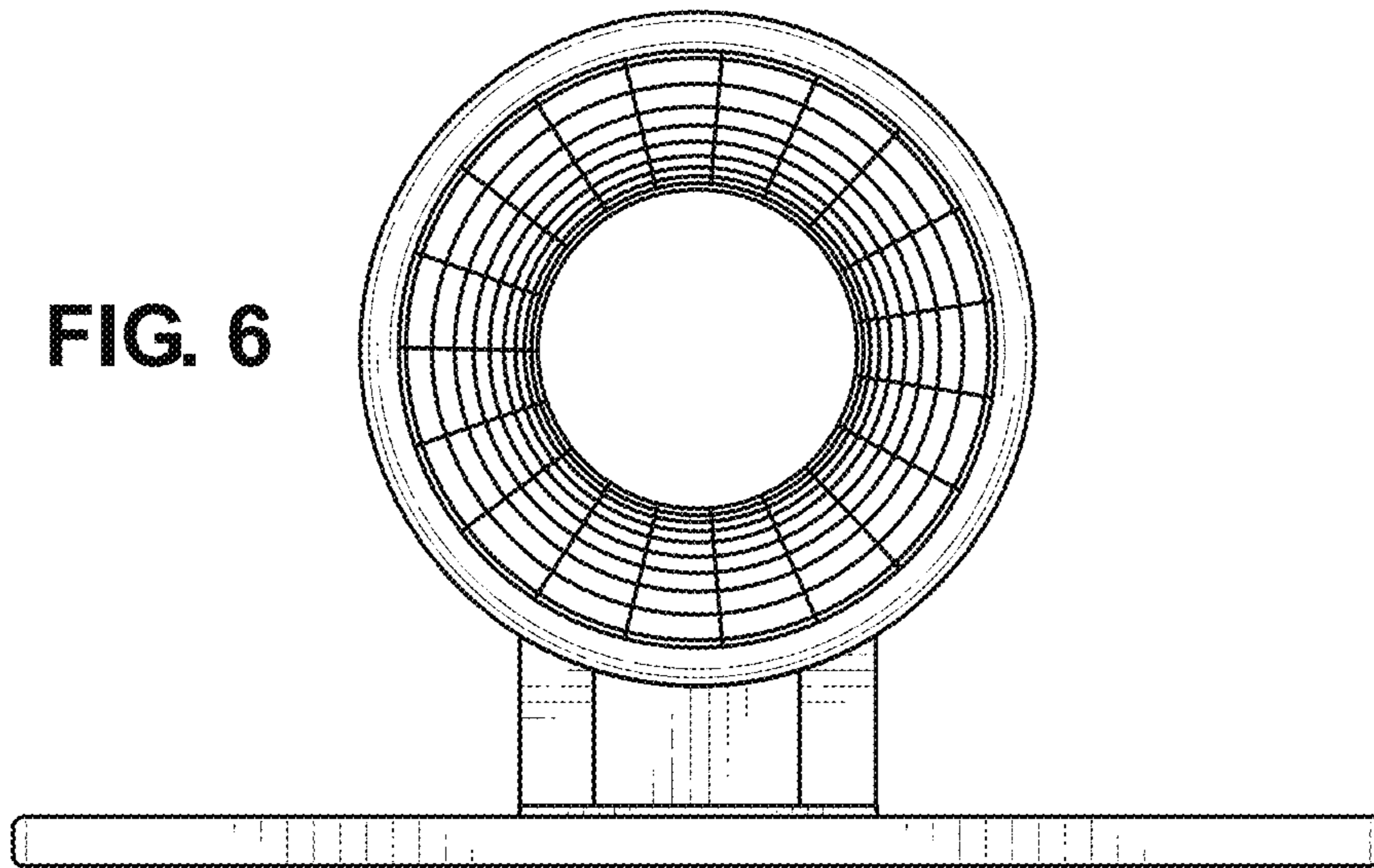


FIG. 7

