



US00D834954S

(12) **United States Design Patent**  
**Chatila**

(10) **Patent No.:** **US D834,954 S**

(45) **Date of Patent:** **\*\* Dec. 4, 2018**

(54) **WATCHCASE**

(71) Applicant: **CREATORZ HOLDING AG**, Zug  
(CH)

(72) Inventor: **Marc Chatila**, Koekelberg (BE)

(\*\*) Term: **15 Years**

(21) Appl. No.: **35/503,697**

(22) Filed: **Mar. 22, 2017**

(80) **Hague Agreement Data**

Int. Filing Date: **Mar. 22, 2017**

Int. Reg. No.: **DM/095466**

Int. Reg. Date: **Mar. 22, 2017**

Int. Reg. Pub. Date: **Sep. 22, 2017**

(51) **LOC (11) Cl.** ..... **10-02**

(52) **U.S. Cl.**  
USPC ..... **D10/38**

(58) **Field of Classification Search**  
USPC ..... D10/30-32, 38-39  
See application file for complete search history.

(56) **References Cited**

**U.S. PATENT DOCUMENTS**

D456,274 S \* 4/2002 Mille ..... D10/30  
D710,216 S \* 8/2014 Mille ..... D10/38

D737,693 S \* 9/2015 Mille ..... D10/39  
D755,646 S \* 5/2016 Mille ..... D10/125  
D790,991 S \* 7/2017 Mille ..... D10/30  
D799,342 S \* 10/2017 Mille ..... D10/30  
D823,141 S \* 7/2018 Mille ..... D10/39

\* cited by examiner

*Primary Examiner* — George D. Kirschbaum

(57) **CLAIM**

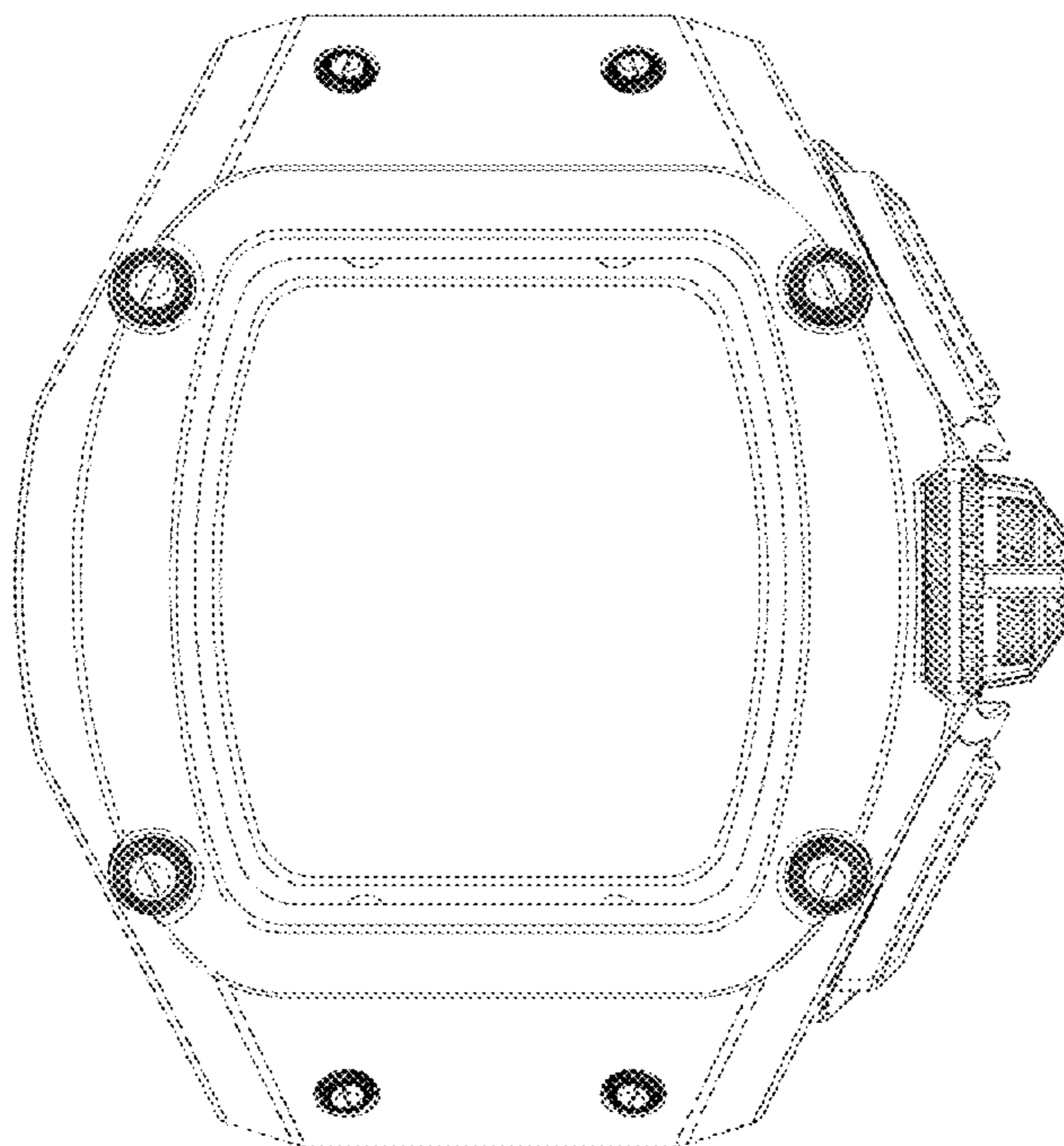
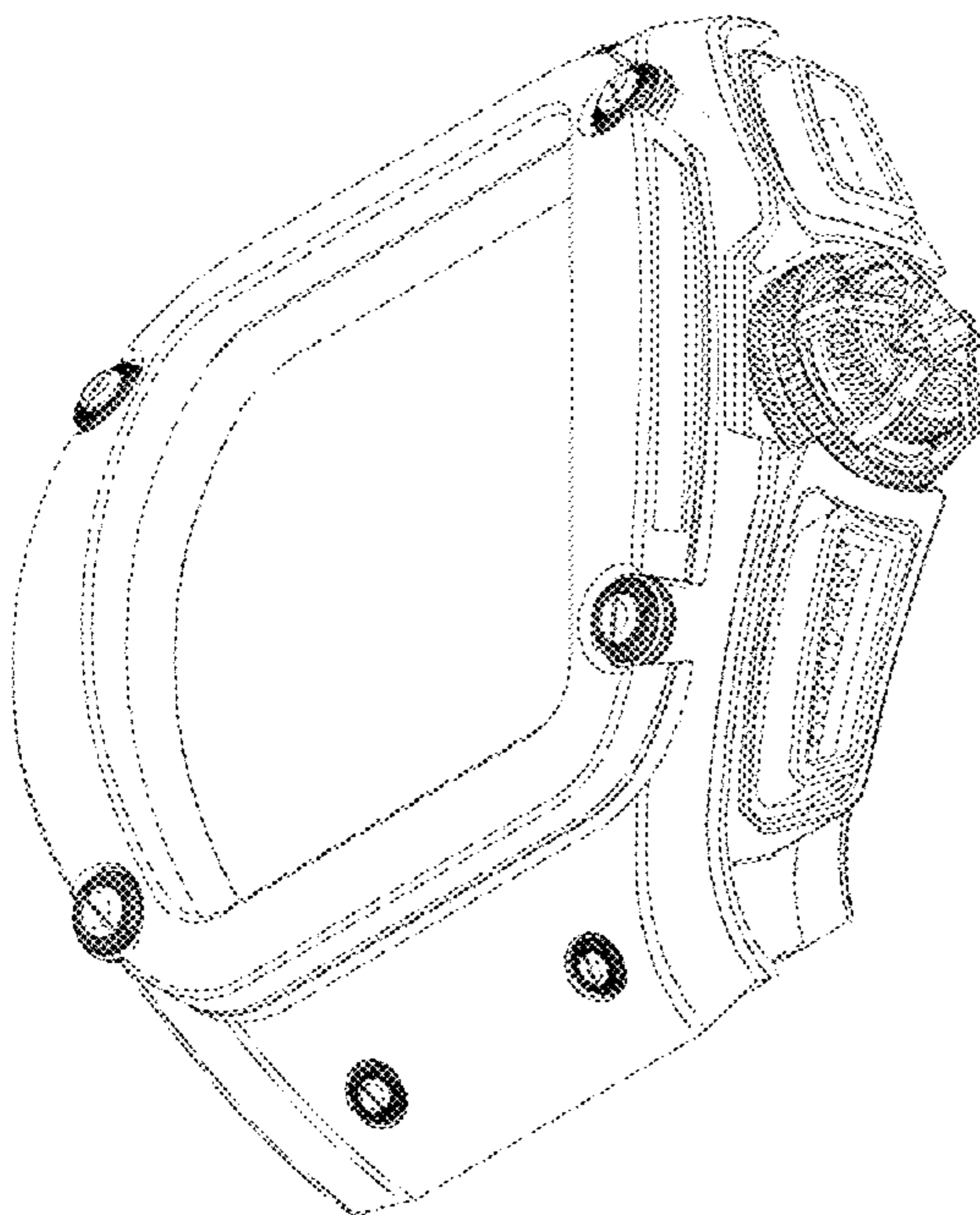
The ornamental design for a watchcase, as shown and described.

**DESCRIPTION**

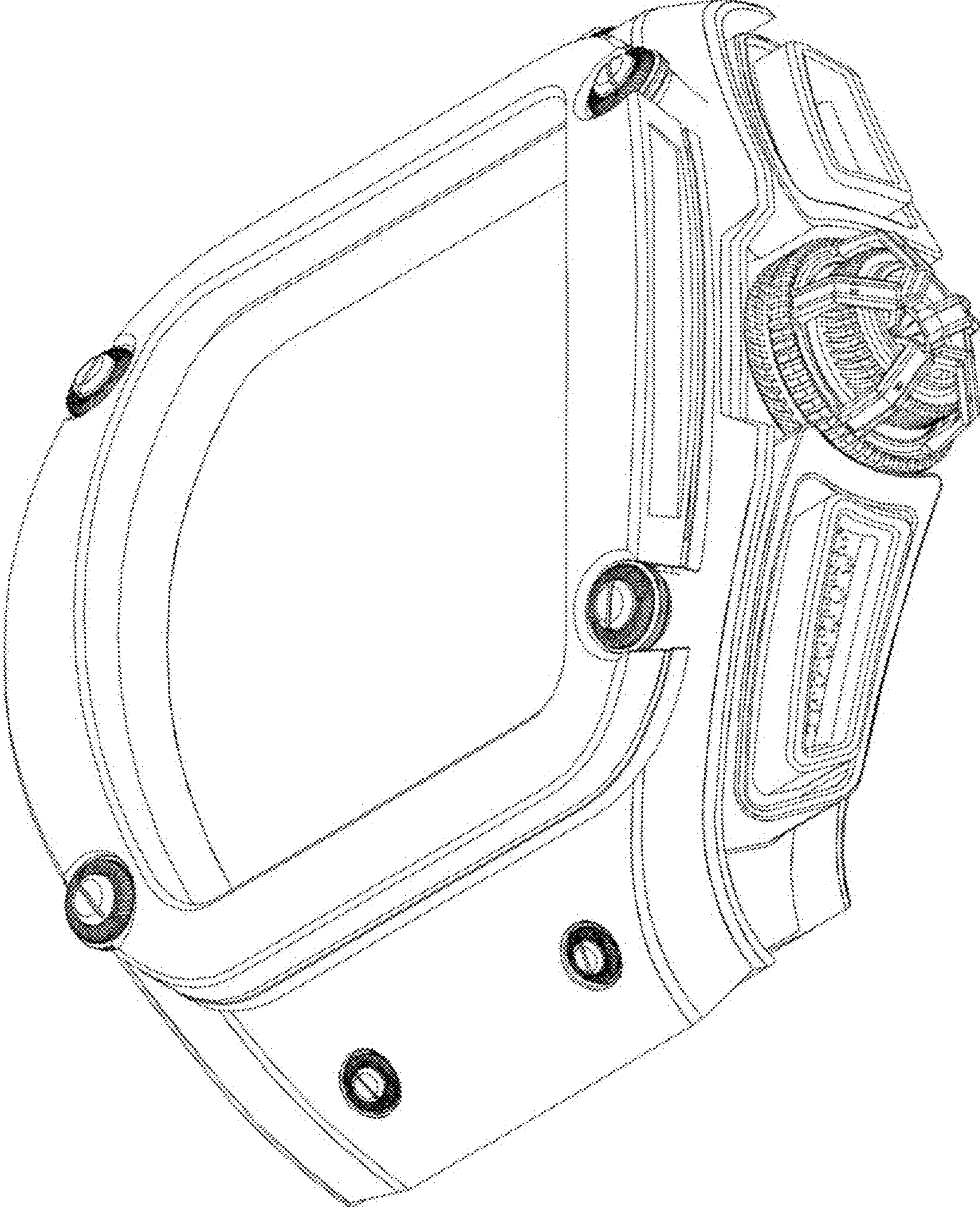
- 1. Watchcase
- 1.1 : Perspective
- 1.2 : Perspective
- 1.3 : Front
- 1.4 : Back
- 1.5 : Top
- 1.6 : Bottom
- 1.7 : Right
- 1.8 : Left

The ornamental design for a watchcase as shown and described; the dotted lines depict portions of the watchcase that form no part of the claimed design.

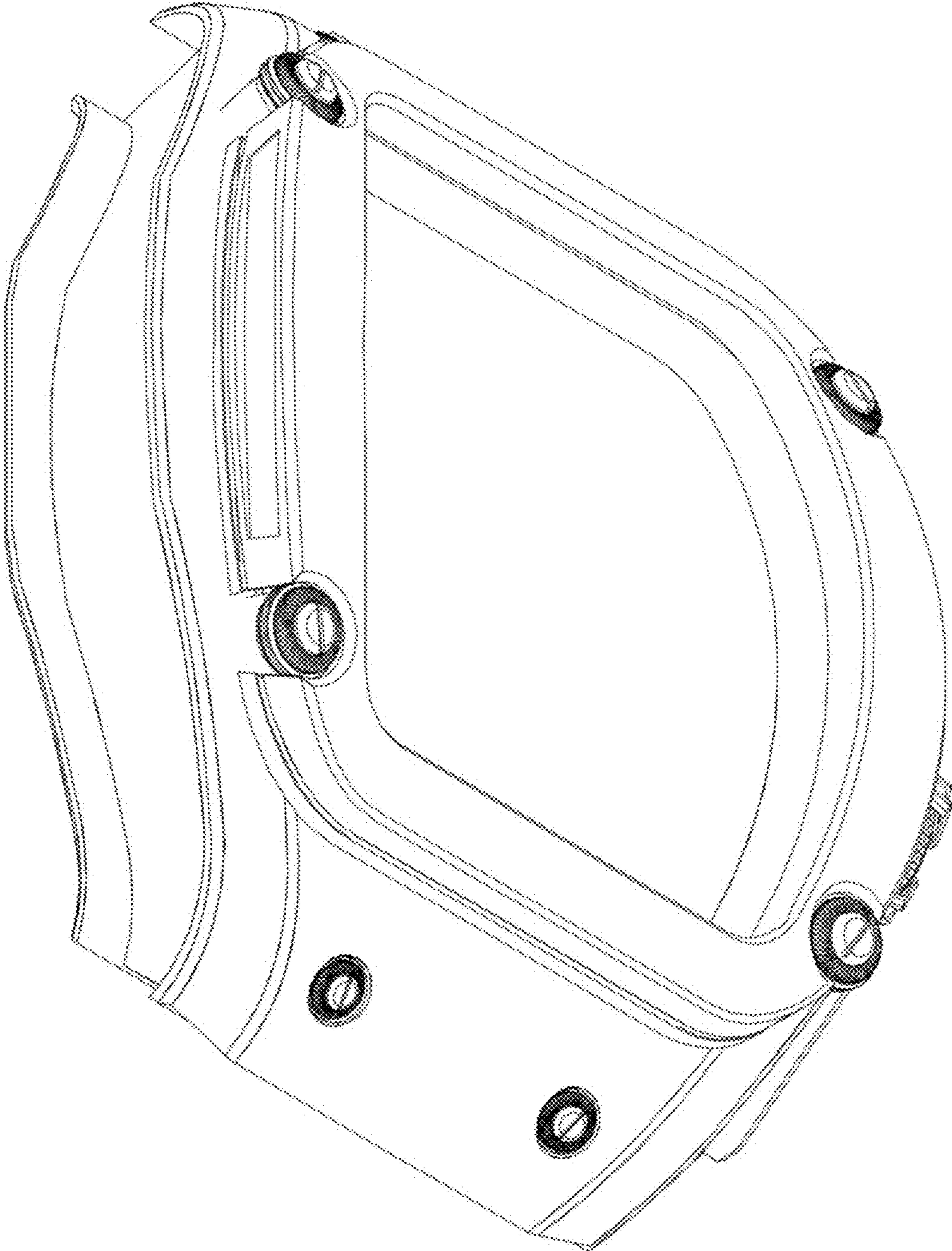
**1 Claim, 8 Drawing Sheets**



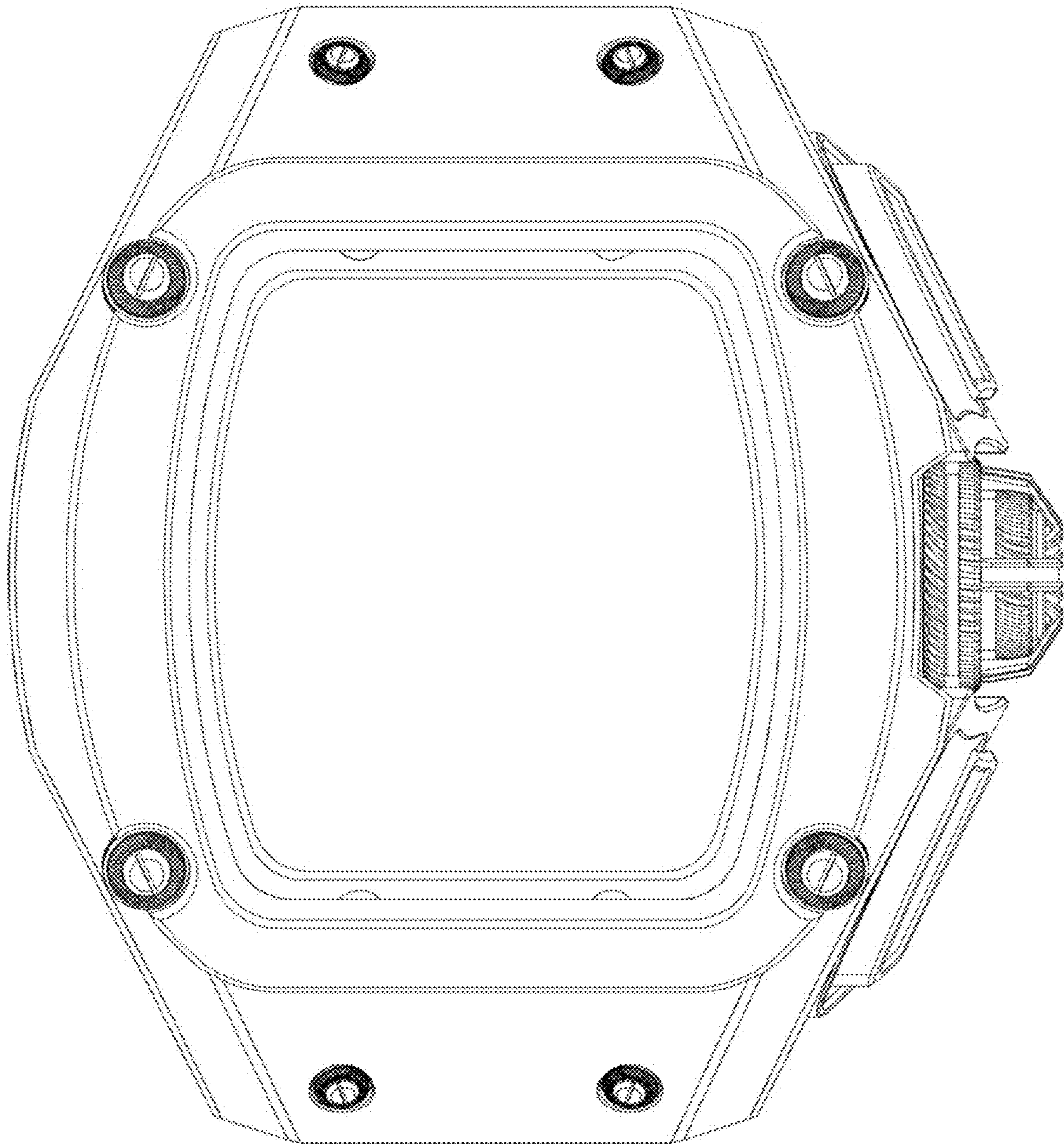
1.1



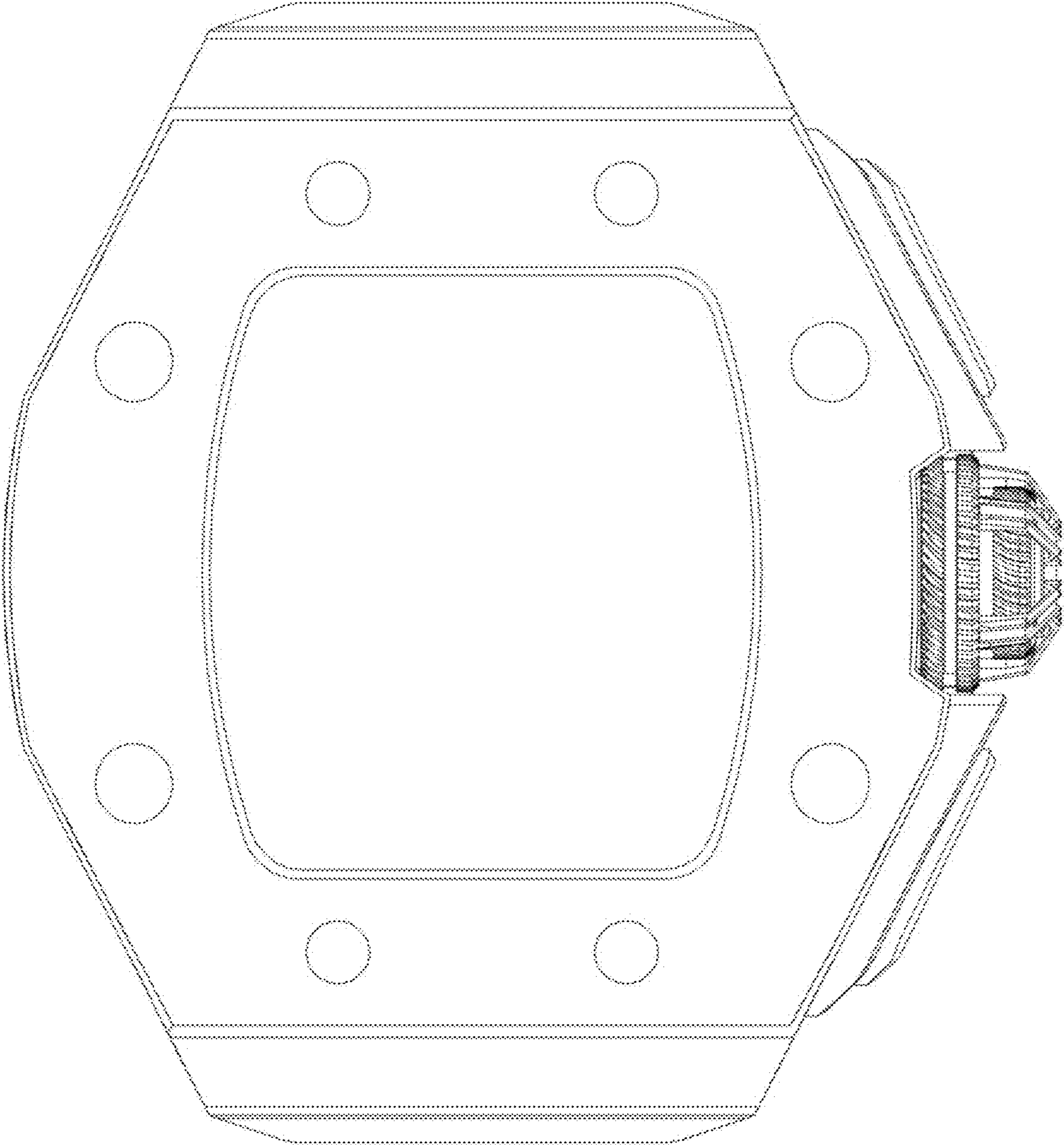
1.2



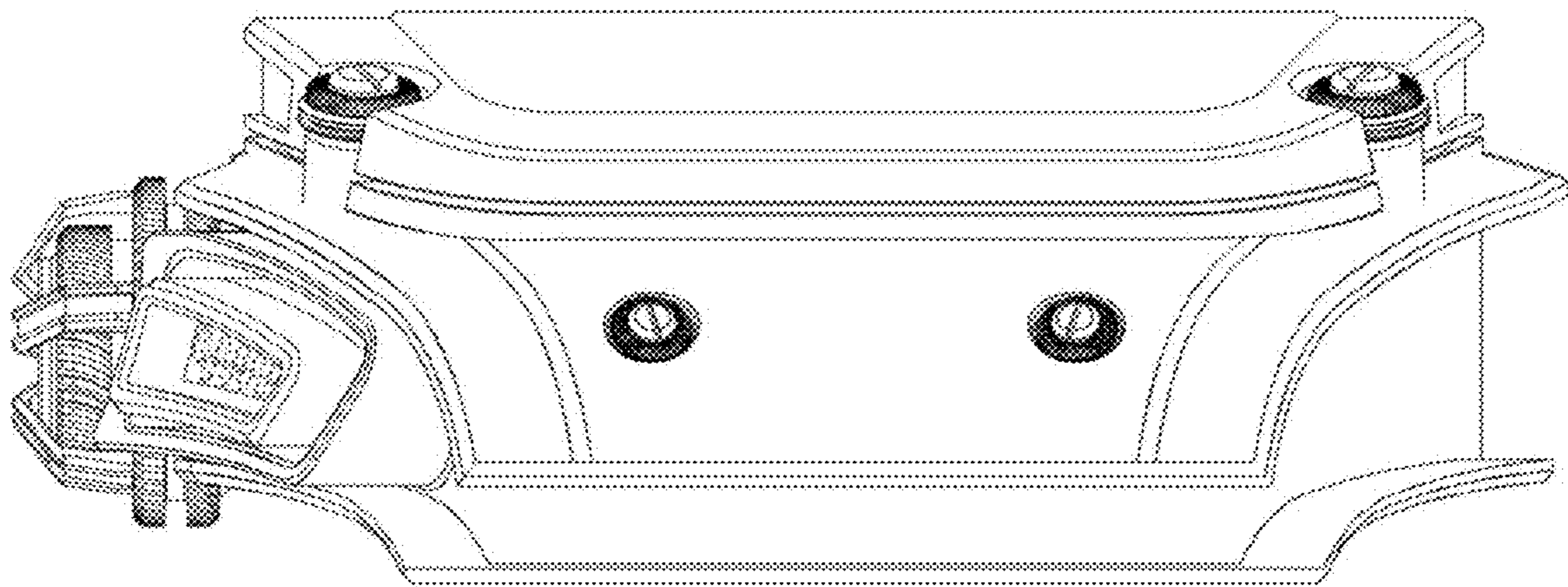
1.3



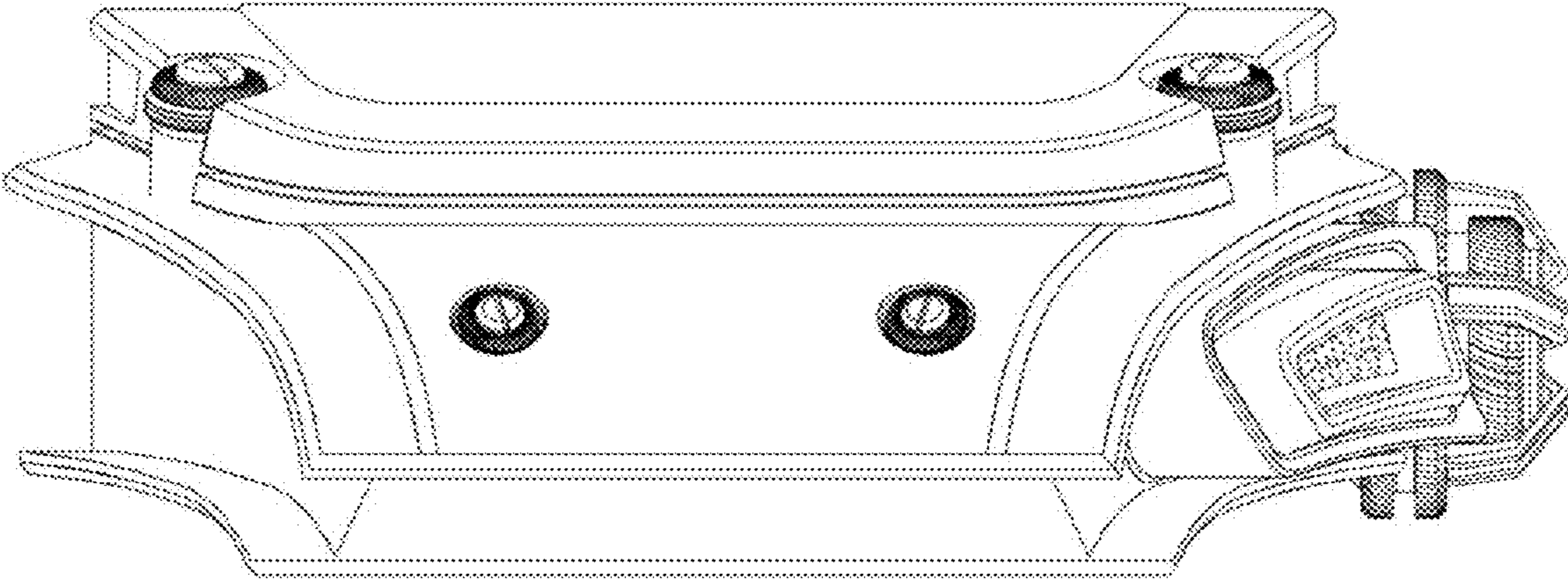
1.4



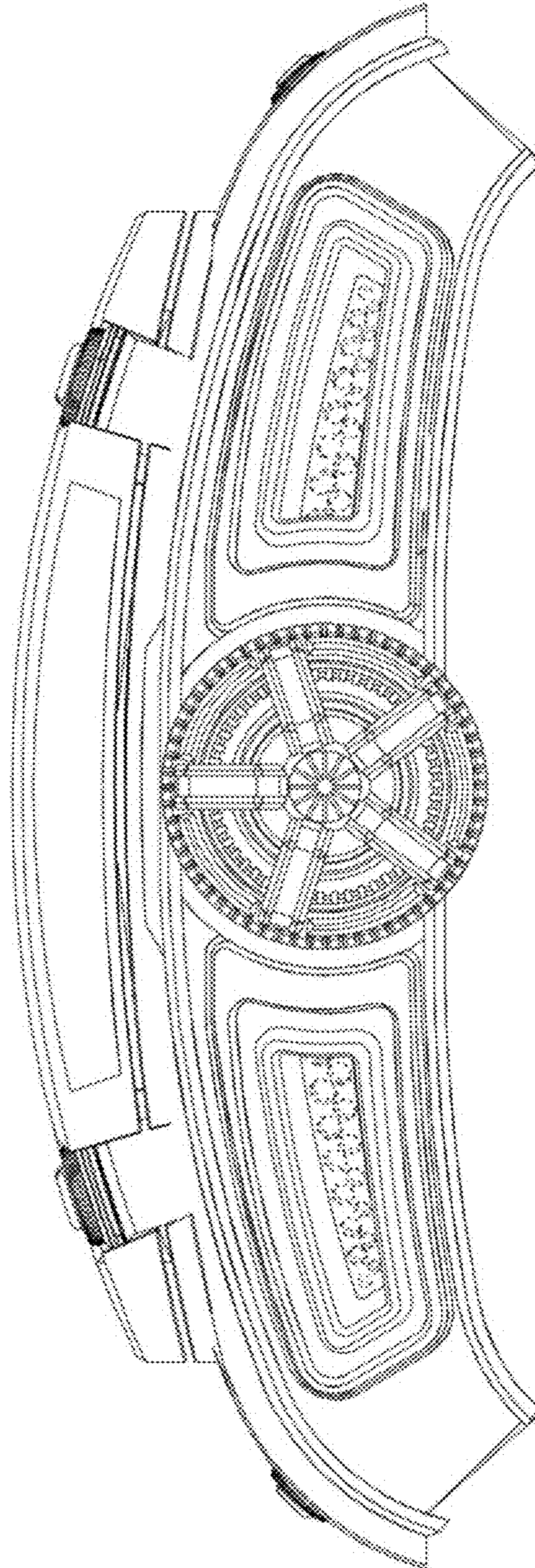
1.5



1.6



1.7





1.8

