



US00D834953S

(12) **United States Design Patent** (10) **Patent No.:** **US D834,953 S**  
**Agayev** (45) **Date of Patent:** **\*\* Dec. 4, 2018**

(54) **WATCH CASE**  
(71) Applicant: **Sham Agayev & Sons LLC**, Kansas City, MO (US)  
(72) Inventor: **Sham Agayev**, Belton, MO (US)  
(\*\*) Term: **15 Years**  
(21) Appl. No.: **29/604,928**  
(22) Filed: **May 22, 2017**  
(51) **LOC (11) Cl.** ..... **10-02**  
(52) **U.S. Cl.**  
USPC ..... **D10/30**  
(58) **Field of Classification Search**  
USPC ..... D10/30, 31, 32, 33, 34, 35, 36, 37, 38, D10/39, 122, 123, 124, 102, 128; D11/1, D11/2, 3, 4; D14/300, 341, 344, 137, D14/138 R, 138 G  
CPC ..... G04B 17/00; G04B 17/02; G04B 17/005; G04B 17/285; G04B 37/00; G04B 37/0058; G04B 45/00; G04B 45/02; G04B 45/0038; G04B 45/0069; G04B 45/0076; G04B 29/00; G04B 19/268  
See application file for complete search history.

D697,435 S \* 1/2014 Duport ..... D10/39  
D727,751 S \* 4/2015 Lee ..... D10/35  
D747,981 S \* 1/2016 Vande Velden ..... D10/31

**OTHER PUBLICATIONS**

Youtube, Tory Burch Reva Women Watch Red Leather Logo Dial TRB4005, posted Mar. 21, 2016, [online], [site visited Sep. 10, 2018]. Available from Internet, <URL: https://www.youtube.com/watch?v=zX8wKaHqZbU> (Year: 2016).\*

\* cited by examiner

*Primary Examiner* — Sheryl Lane

*Assistant Examiner* — Samantha N Wood

(74) *Attorney, Agent, or Firm* — Erickson Kernell IP, LLC; Kent R. Erickson

(57) **CLAIM**

The ornamental design for a watch case, as shown and described.

**DESCRIPTION**

FIG. 1 is a top perspective view of a watch case; FIG. 2 is a bottom, perspective view of the watch case; FIG. 3 is a top plan view of the watch case; FIG. 4 is a bottom plan view of the watch case; FIG. 5 is a first side elevational view of the watch case looking towards the nine o'clock position; FIG. 6 is a second side elevational view of the watch case looking towards the three o'clock position; and, FIG. 7 is a third side elevational view of the watch case looking towards the six o'clock position, with the fourth side elevational view looking towards the twelve o'clock position being a mirror image thereof.

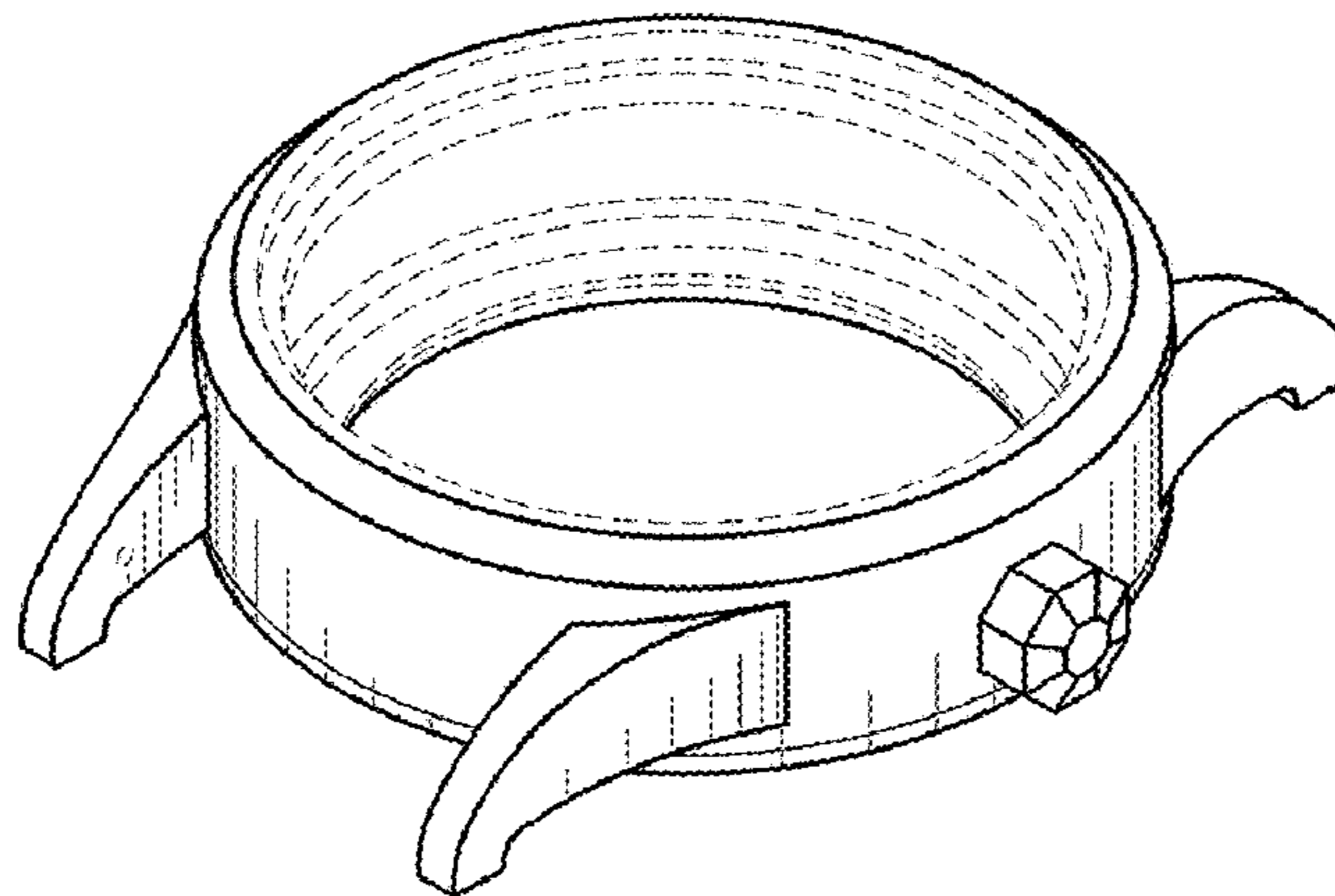
The broken lines are included for the purpose of portions of the watch case and form no part of the claimed design.

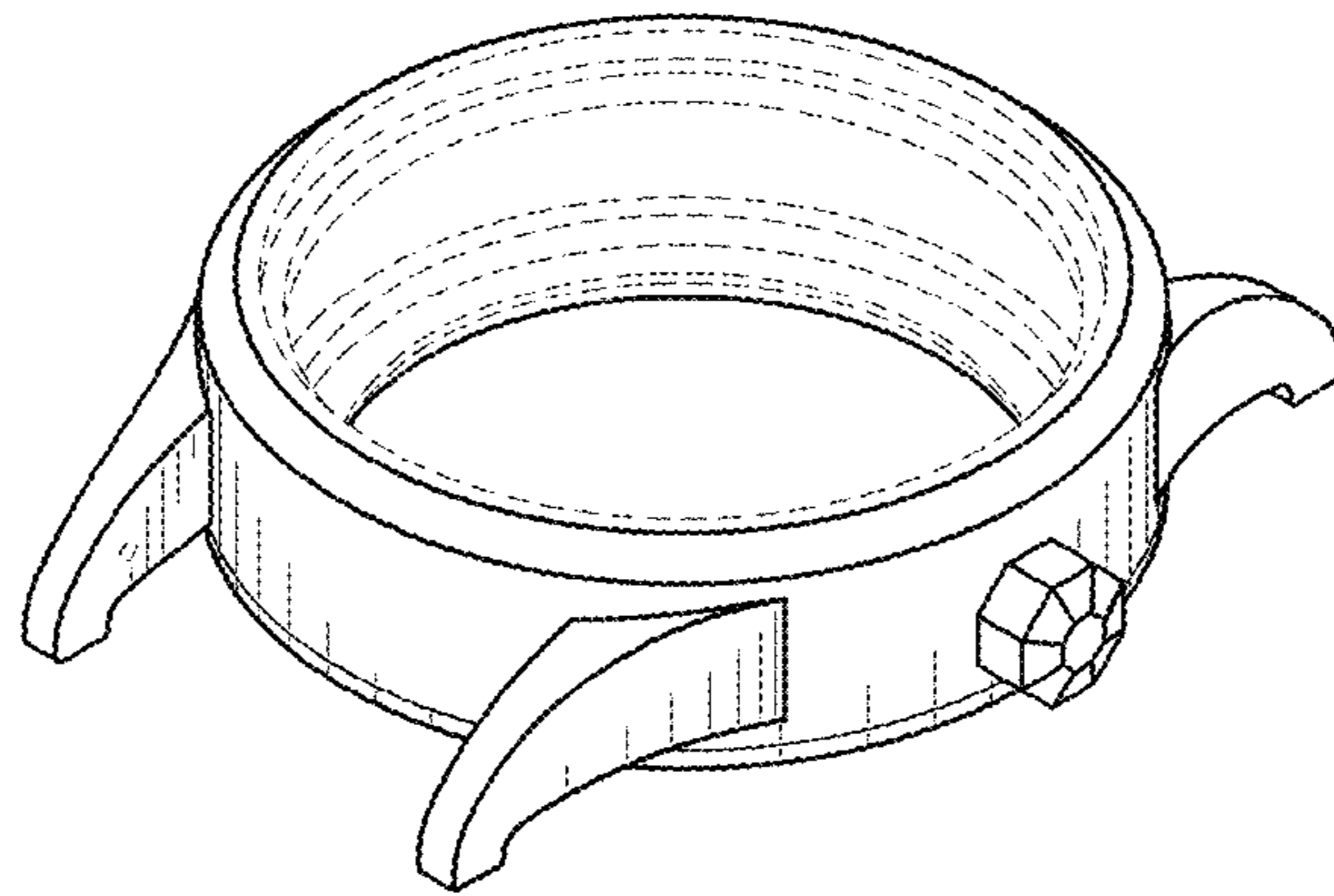
**1 Claim, 3 Drawing Sheets**

(56) **References Cited**

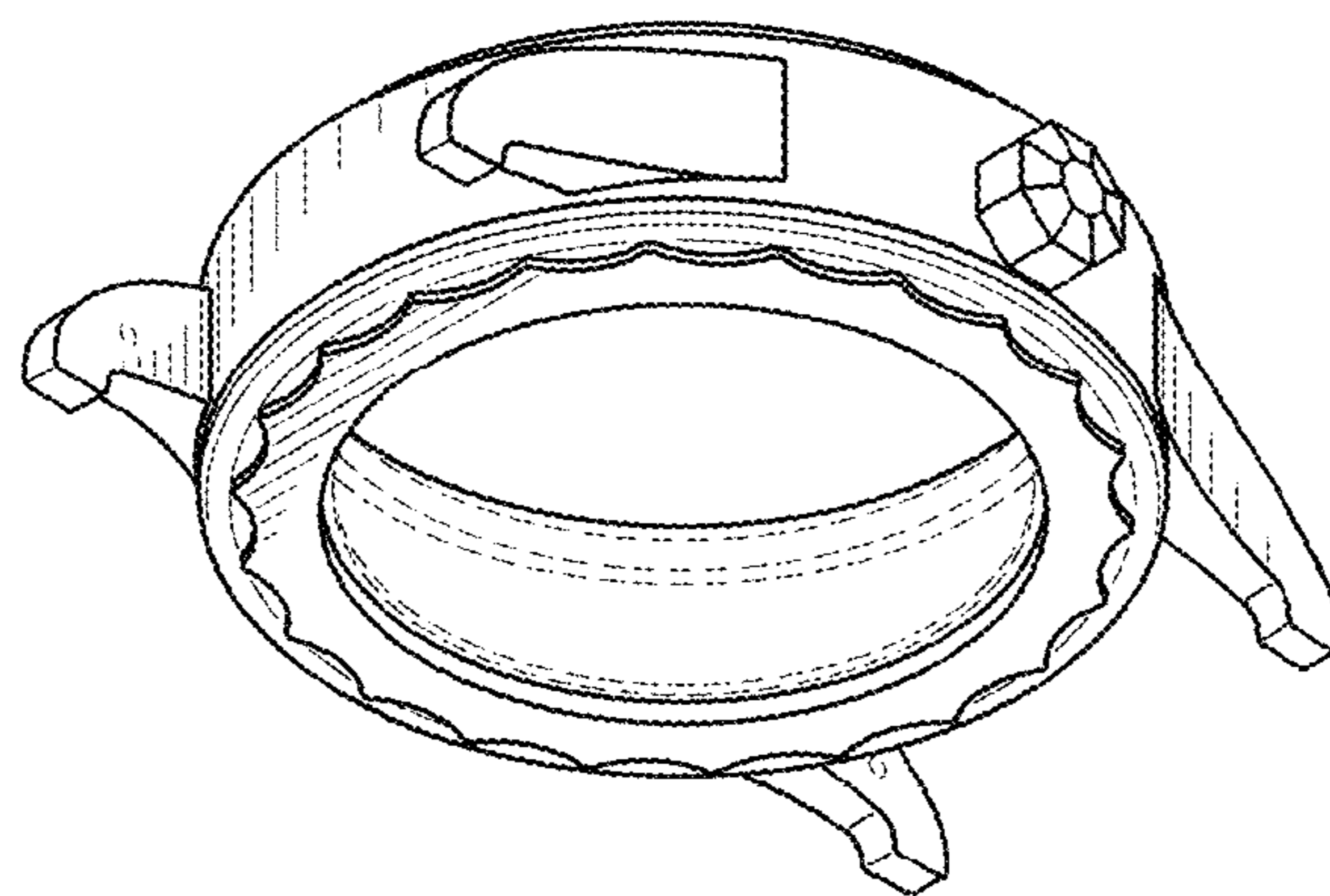
**U.S. PATENT DOCUMENTS**

D373,957 S \* 9/1996 Mareschal ..... D10/30  
D394,216 S \* 5/1998 Toribio ..... D10/32  
D444,078 S \* 6/2001 Strasser ..... D10/39  
D645,766 S \* 9/2011 Bertucci ..... D10/38

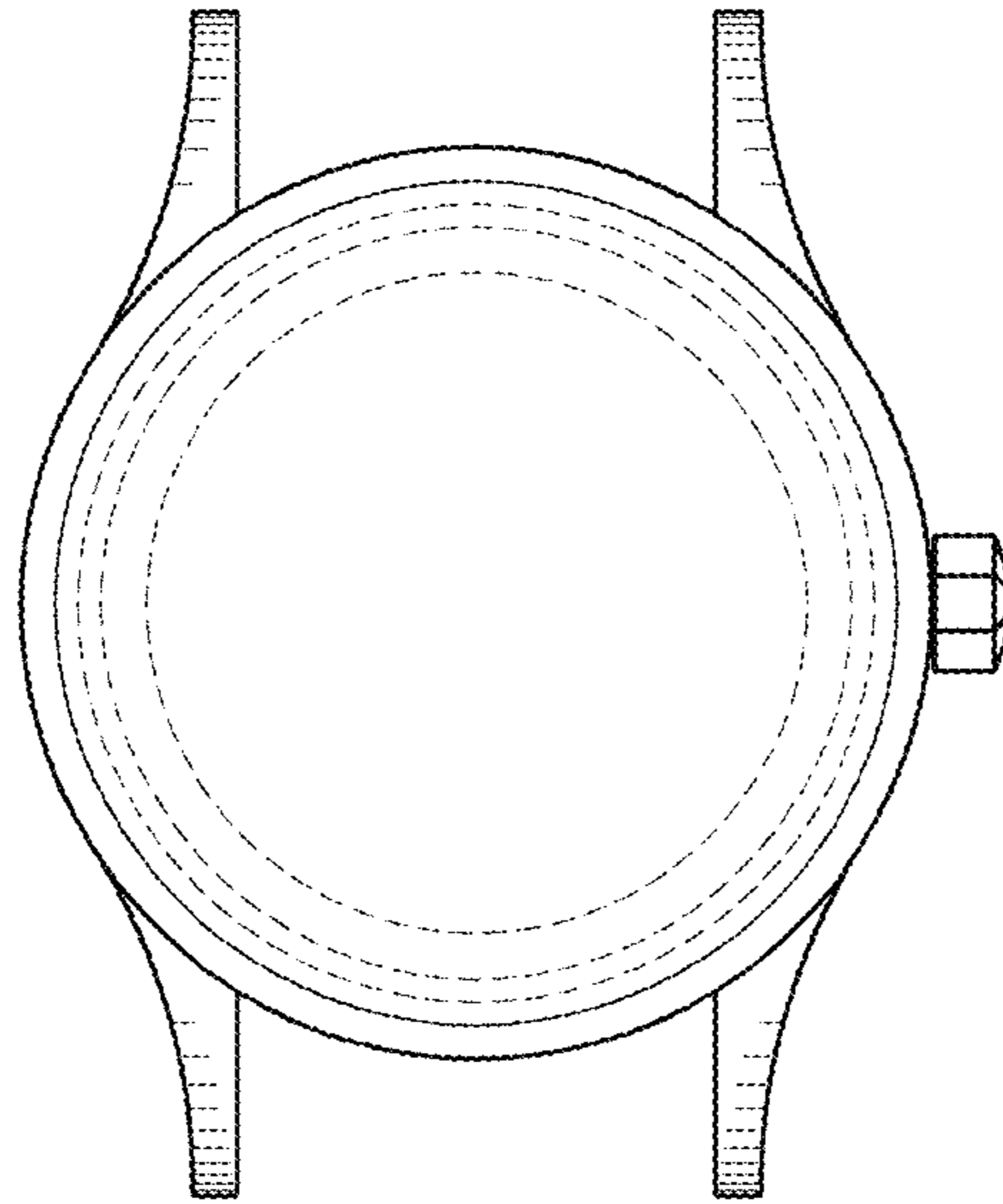




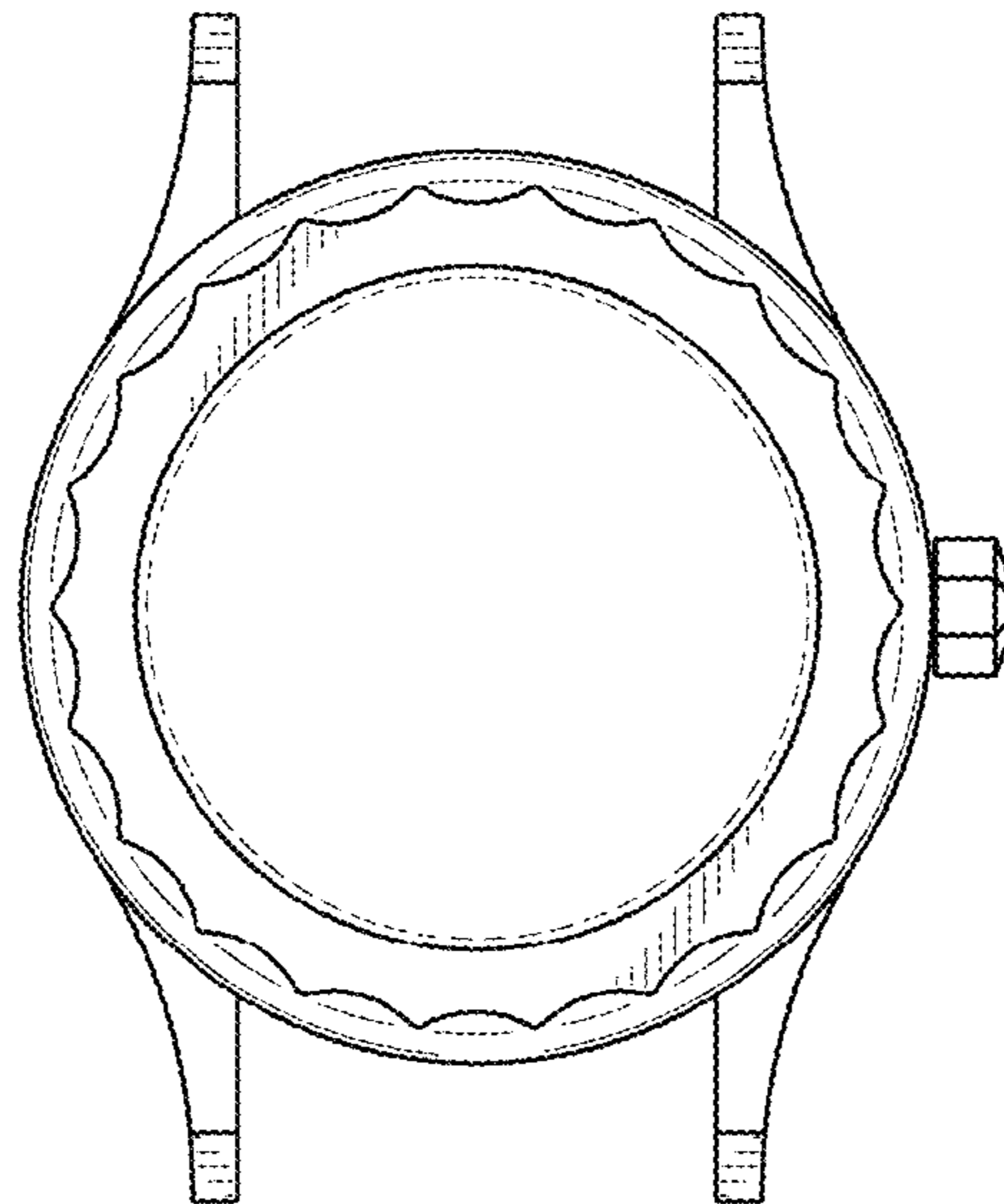
*Fig. 1*



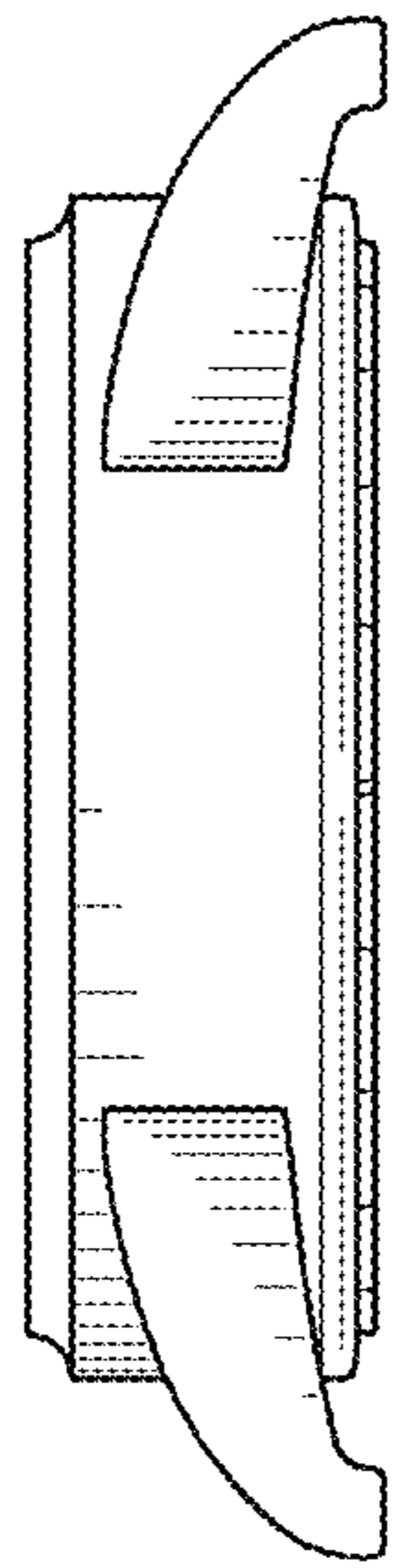
*Fig. 2*



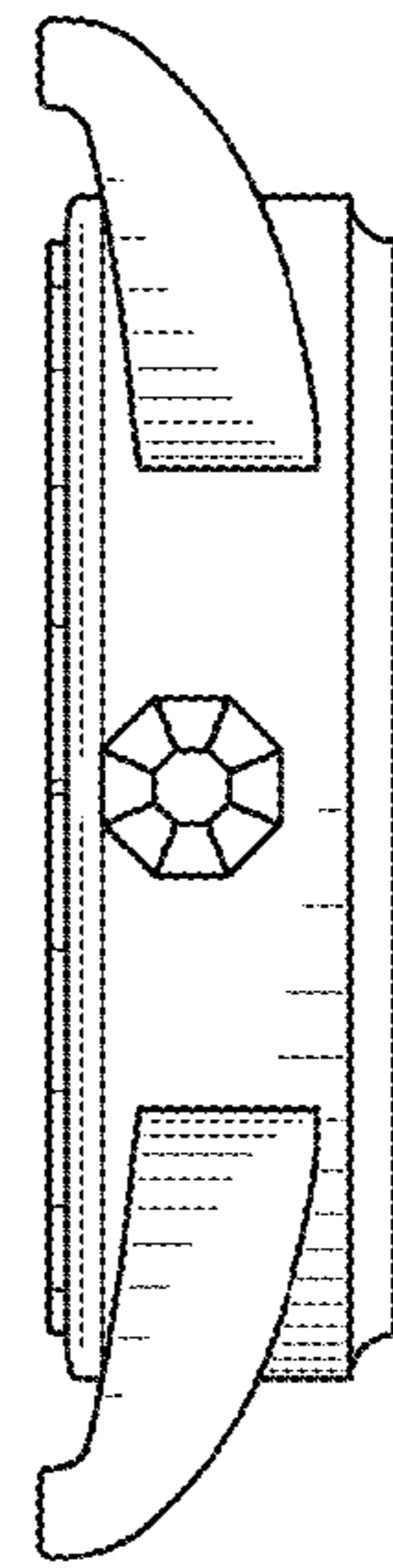
*Fig. 3*



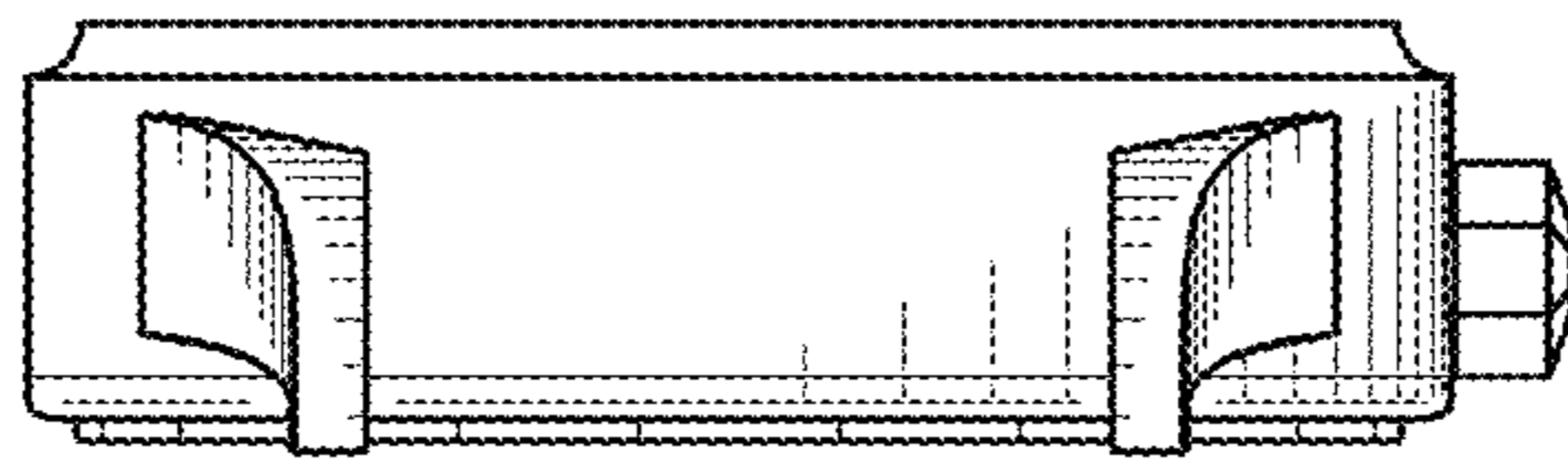
*Fig. 4*



*Fig. 5*



*Fig. 6*



*Fig. 7*