



US00D834946S

(12) **United States Design Patent** (10) **Patent No.:** **US D834,946 S**
Nesbitt (45) **Date of Patent:** **** Dec. 4, 2018**

(54) **TEARDROP TUBE**

(71) Applicant: **ALBEA SERVICES**, Gennevilliers (FR)

(72) Inventor: **Kyle Nesbitt**, Paris (FR)

(73) Assignee: **ALBEA SERVICSE**, Gennevilliers (FR)

(**) Term: **15 Years**

(21) Appl. No.: **29/581,725**

(22) Filed: **Oct. 21, 2016**

(30) **Foreign Application Priority Data**

Apr. 22, 2016 (EM) 003082213-0001

(51) **LOC (11) Cl.** **09-03**

(52) **U.S. Cl.**
USPC **D9/697**

(58) **Field of Classification Search**

USPC D9/702-714, 695-699, 435, 440, 521, D9/454, 544, 723-724, 499, 449, D9/727-728, 442, 447, 504; 222/92, 96, 222/107, 527-529, 215, 491, 206, 222/212-213, 251, 95, 536; 206/438, 206/822; 220/DIG. 7, 669; 215/321, 215/381, 382, 316, 380; 141/114-115; D28/91.1, 76-78, 82, 88; D4/114; D3/202-205; D7/601-602
CPC B65D 35/00; B65D 35/28; B65D 35/02; B65D 35/04; B65D 35/08; B65D 35/36; B65D 35/38; B65D 1/32; B65D 1/00; A45D 40/00; A45D 40/24; A45D 40/12; A45D 40/18

See application file for complete search history.

(56) **References Cited**

U.S. PATENT DOCUMENTS

D640,931 S *	7/2011	Swanson	D9/667
D652,739 S *	1/2012	Komai	D9/697
D660,717 S *	5/2012	Nickel	D9/699
D730,744 S *	6/2015	Kim	D9/697
D731,322 S *	6/2015	Seo	D9/697

* cited by examiner

Primary Examiner — Abraham Bahta

(74) *Attorney, Agent, or Firm* — Avery N. Goldstein; Blue Filament Law, PLLC

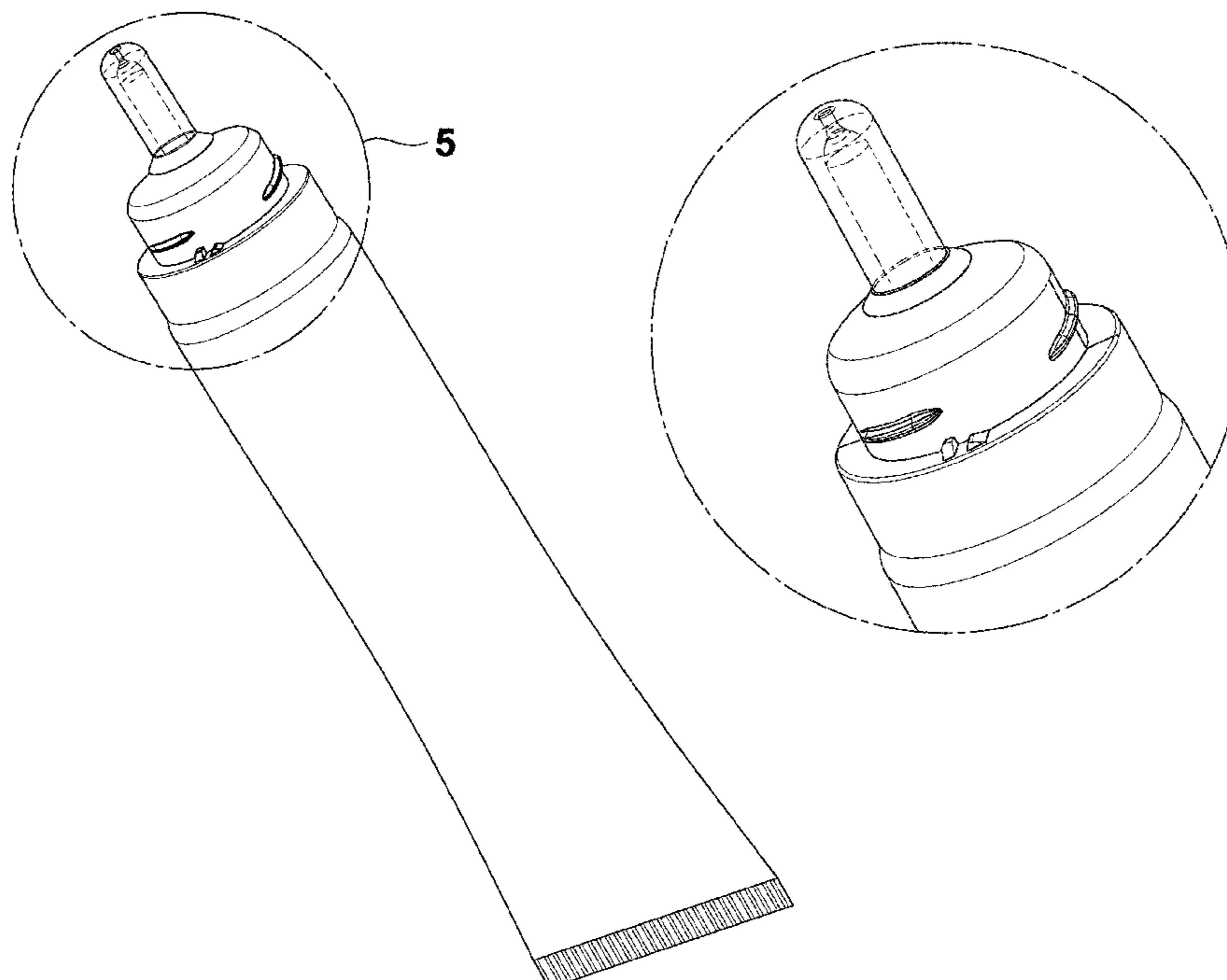
(57) **CLAIM**

The ornamental design for a teardrop tube, as shown and described.

DESCRIPTION

FIG. 1 is a perspective view of the teardrop tube showing my new design;
FIG. 2 is a front view, the rear view is a mirror image thereof;
FIG. 3 is a right side view, the left side view is a mirror image thereof;
FIG. 4 is a top view thereof; and,
FIG. 5 is a perspective view of an enlarged view taken from the encircled portion in FIG. 1.
The broken lines are for illustrative purposes only; the broken lines form no part of the claimed design.

1 Claim, 5 Drawing Sheets



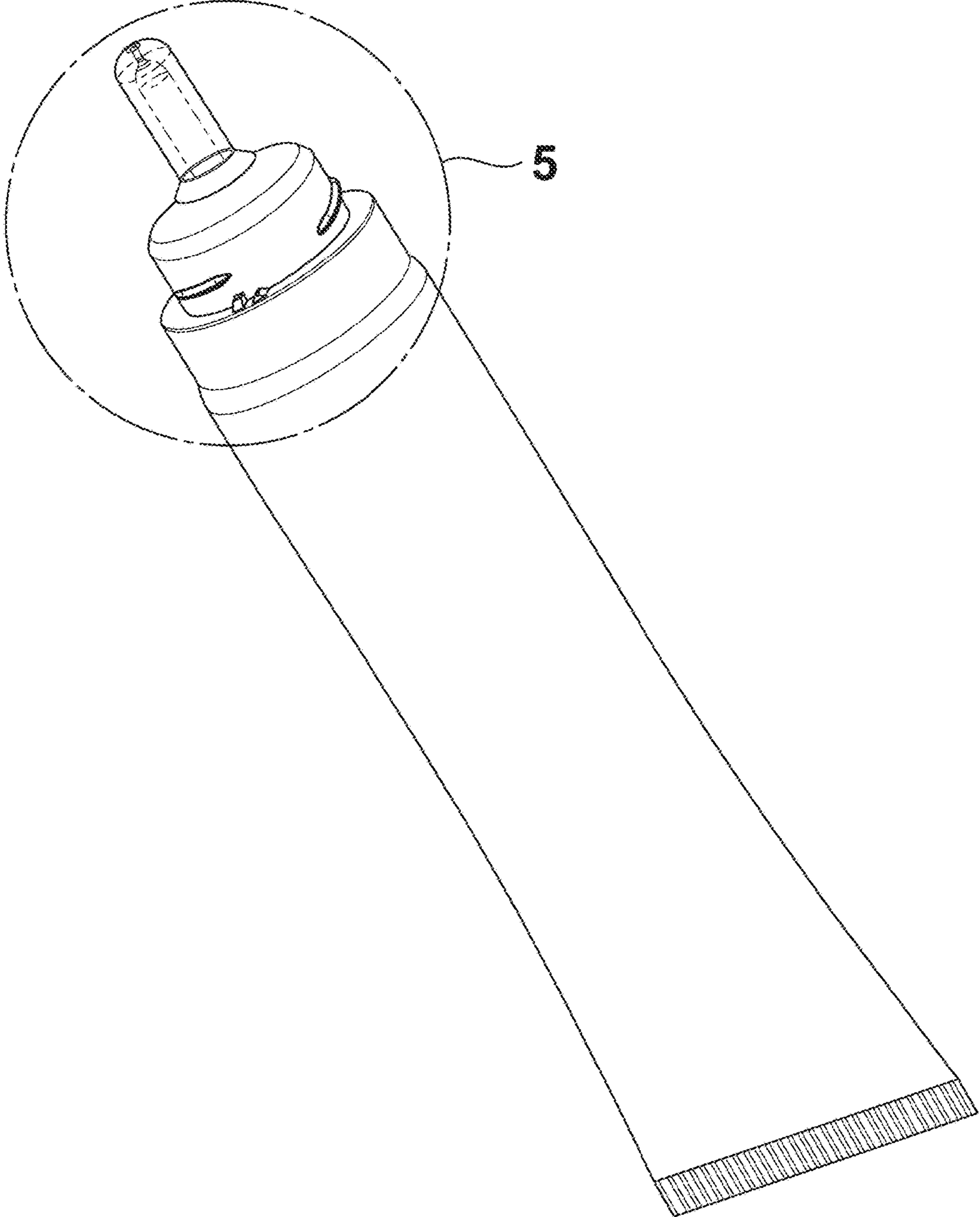


FIG. 1

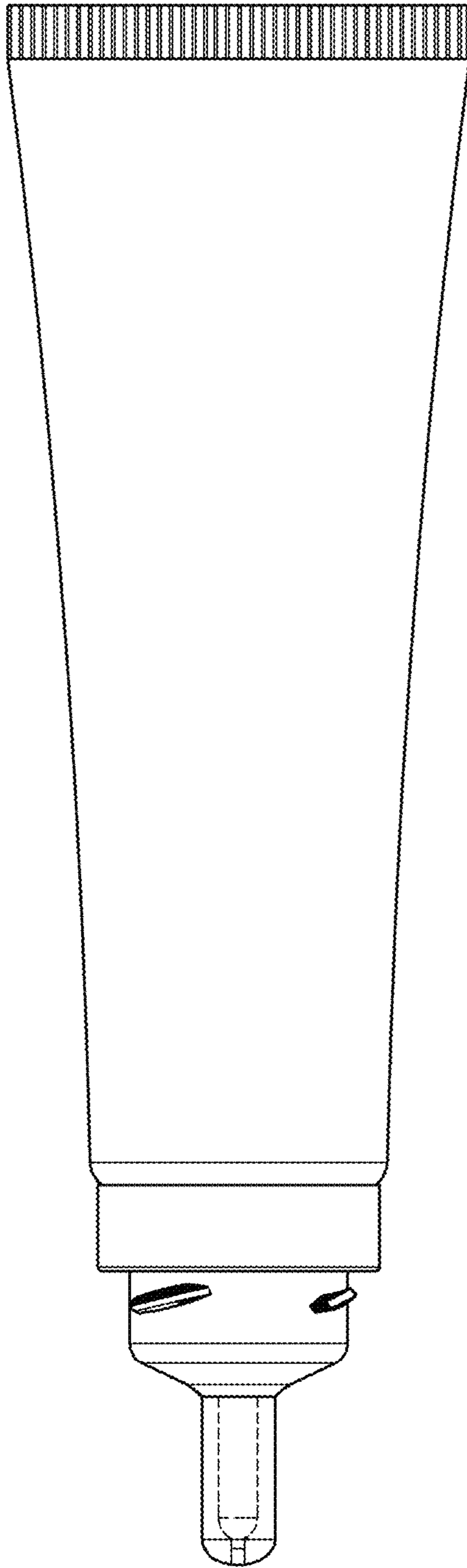


FIG. 2

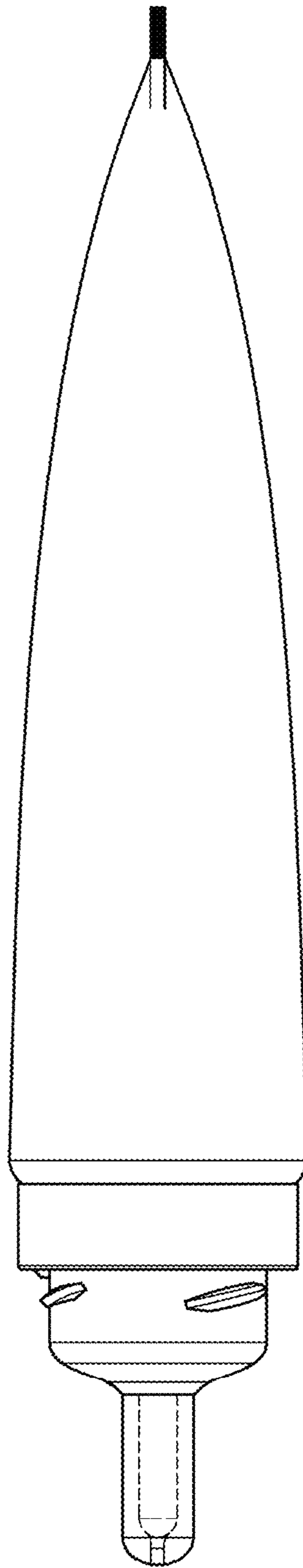


FIG. 3

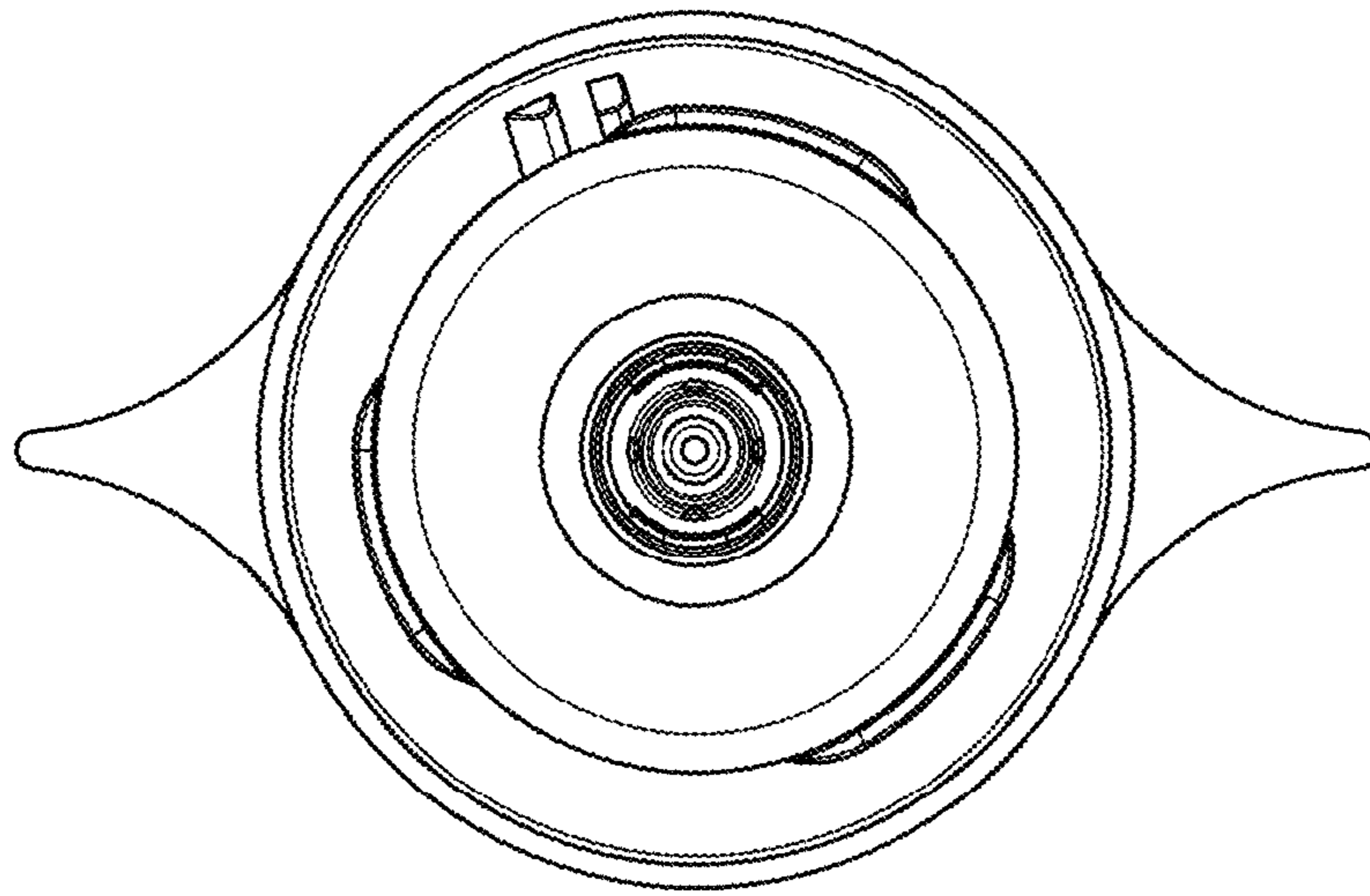


FIG. 4

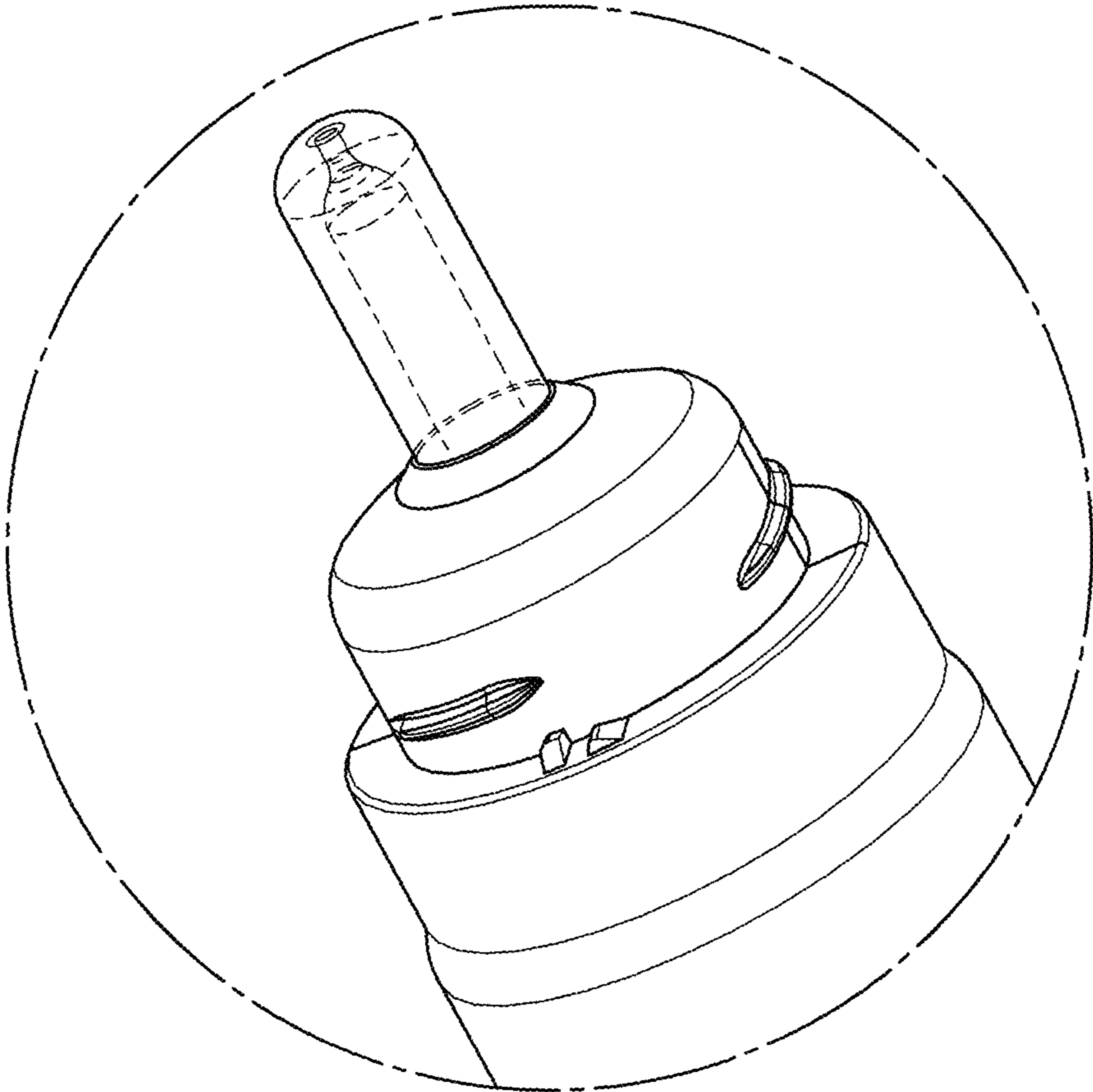


FIG. 5