

US00D834943S

(12) **United States Design Patent** (10) **Patent No.:** **US D834,943 S**
Hrehorovich et al. (45) **Date of Patent:** **** Dec. 4, 2018**

(54) **FOOTBALL SHAPED INFLATABLE MICROWAVE BAG**
(71) Applicants: **Andrew Hrehorovich**, Long Pond, PA (US); **Frank Joseph Makosky**, Stroudsburg, PA (US)
(72) Inventors: **Andrew Hrehorovich**, Long Pond, PA (US); **Frank Joseph Makosky**, Stroudsburg, PA (US)

D582,785 S *	12/2008	Navarro	D9/415
D627,233 S *	11/2010	Blakeman	D9/668
D629,306 S *	12/2010	Staton	D9/414
D666,919 S *	9/2012	Gelin	D9/668
D692,315 S *	10/2013	Bohmke	D9/707
D703,064 S *	4/2014	Warrington	D9/707
D705,078 S *	5/2014	Laib	D9/668
D718,146 S *	11/2014	Tussy	D9/668
D789,748 S *	6/2017	Peters	D9/668
D790,282 S *	6/2017	Price	D9/668
D791,614 S *	7/2017	Sahatjian	D9/707

(**) Term: **15 Years**
(21) Appl. No.: **29/615,561**

* cited by examiner
Primary Examiner — Sandra L Morris
(74) *Attorney, Agent, or Firm* — Global Intellectual Property Agency, LLC; Daniel Boudwin

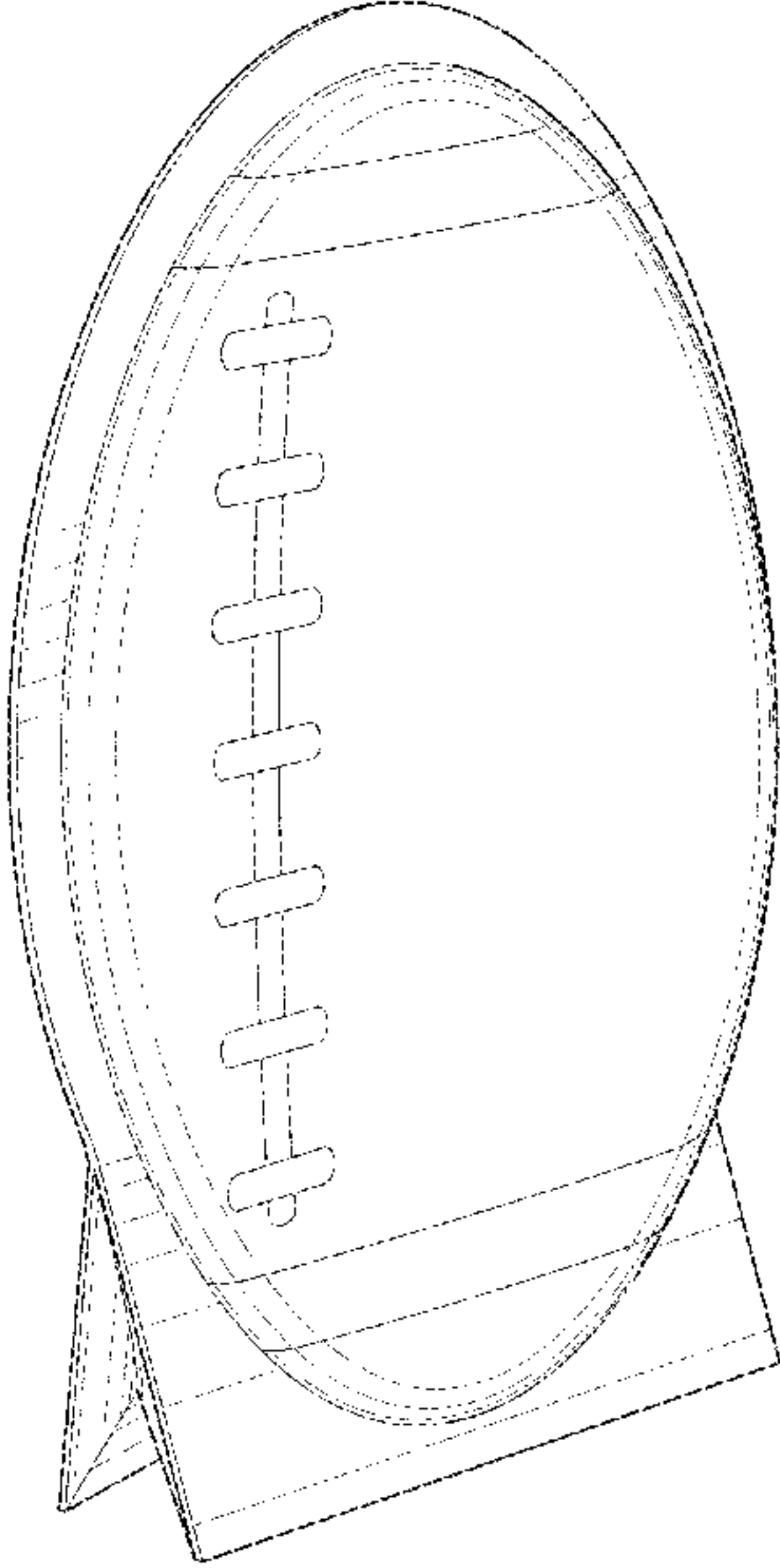
(22) Filed: **Aug. 30, 2017**
(51) **LOC (11) Cl.** **09-01**
(52) **U.S. Cl.**
USPC **D9/668; D9/707**
(58) **Field of Classification Search**
USPC D7/510, 514–520, 599, 604, 613, 619.2, D7/623, 628; D9/600, 668, 702–713, D9/414–434; 206/457, 459.5, 488, 527; 215/381–384, 400; 229/116.1
CPC B65D 5/42; B65D 81/36; B65D 81/60; B65D 81/365; B65D 81/366; B65D 81/368; B65D 2203/00; B65D 2203/02; B65D 67/00; B65D 79/00; A63H 33/16
See application file for complete search history.

(57) **CLAIM**
The ornamental design for a football shaped inflatable microwave bag, as shown and described.

(56) **References Cited**
U.S. PATENT DOCUMENTS
D298,105 S * 10/1988 Lamantia, Jr. D9/414
4,810,844 A 3/1989 Anderson
D319,008 S * 8/1991 Leon D9/668
5,045,659 A 9/1991 Wolfe et al.
5,294,764 A 3/1994 Mass
5,302,790 A 4/1994 Turpin
D369,544 S * 5/1996 Culliss D9/668
6,060,096 A 5/2000 Hanson et al.

DESCRIPTION
FIG. 1 shows a perspective view of the football shaped inflatable microwave bag.
FIG. 2 shows a frontal view of the football shaped inflatable microwave bag.
FIG. 3 shows a rear view of the football shaped inflatable microwave bag.
FIG. 4 shows a first end view of the football shaped inflatable microwave bag.
FIG. 5 shows a second end view of the football shaped inflatable microwave bag.
FIG. 6 shows first side view of the football shaped inflatable microwave bag.
FIG. 7 shows a second side view of the football shaped inflatable microwave bag; and,
FIG. 8 shows a perspective view of the football shaped inflatable microwave bag.

1 Claim, 5 Drawing Sheets



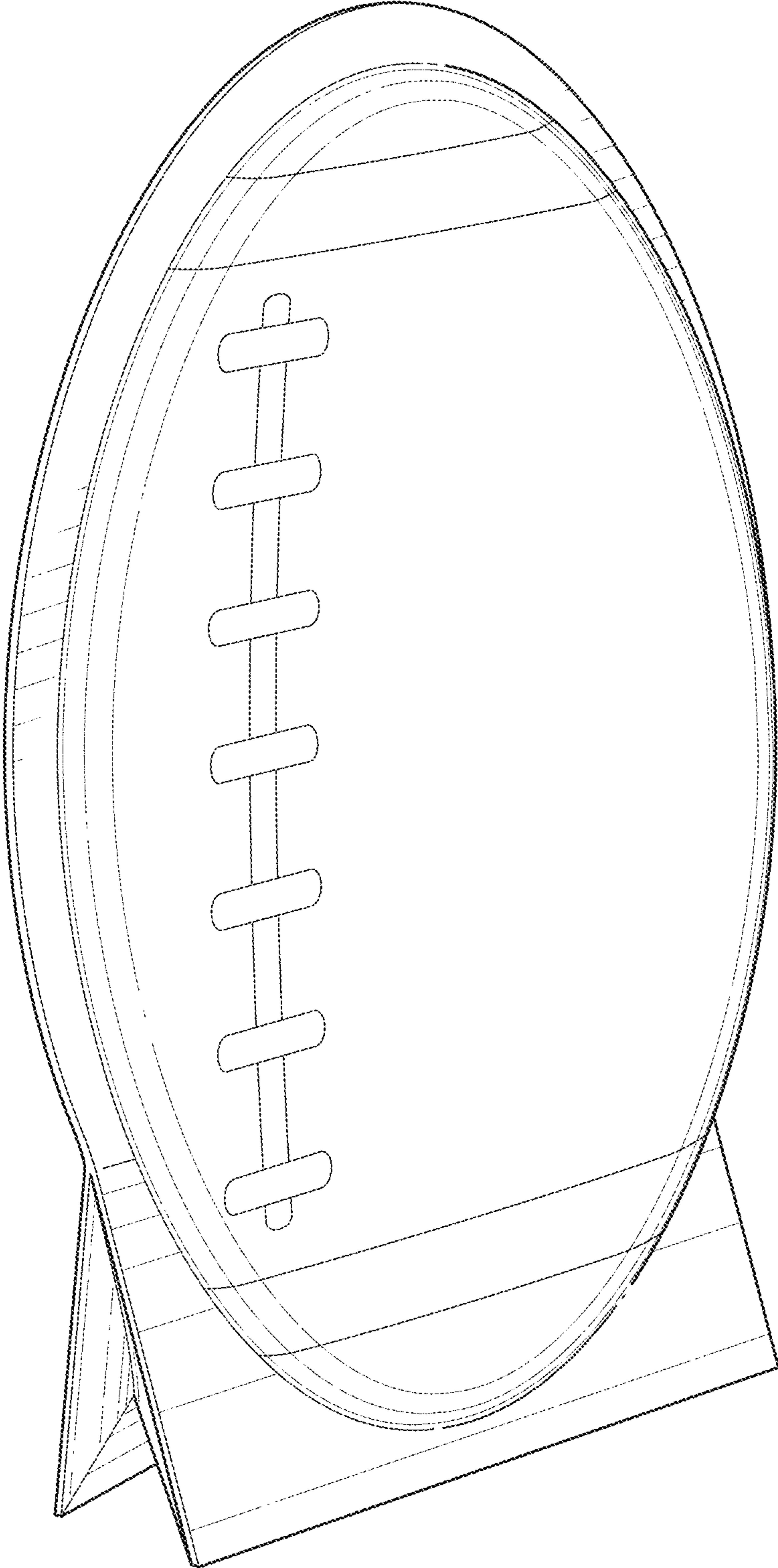


FIG. 1

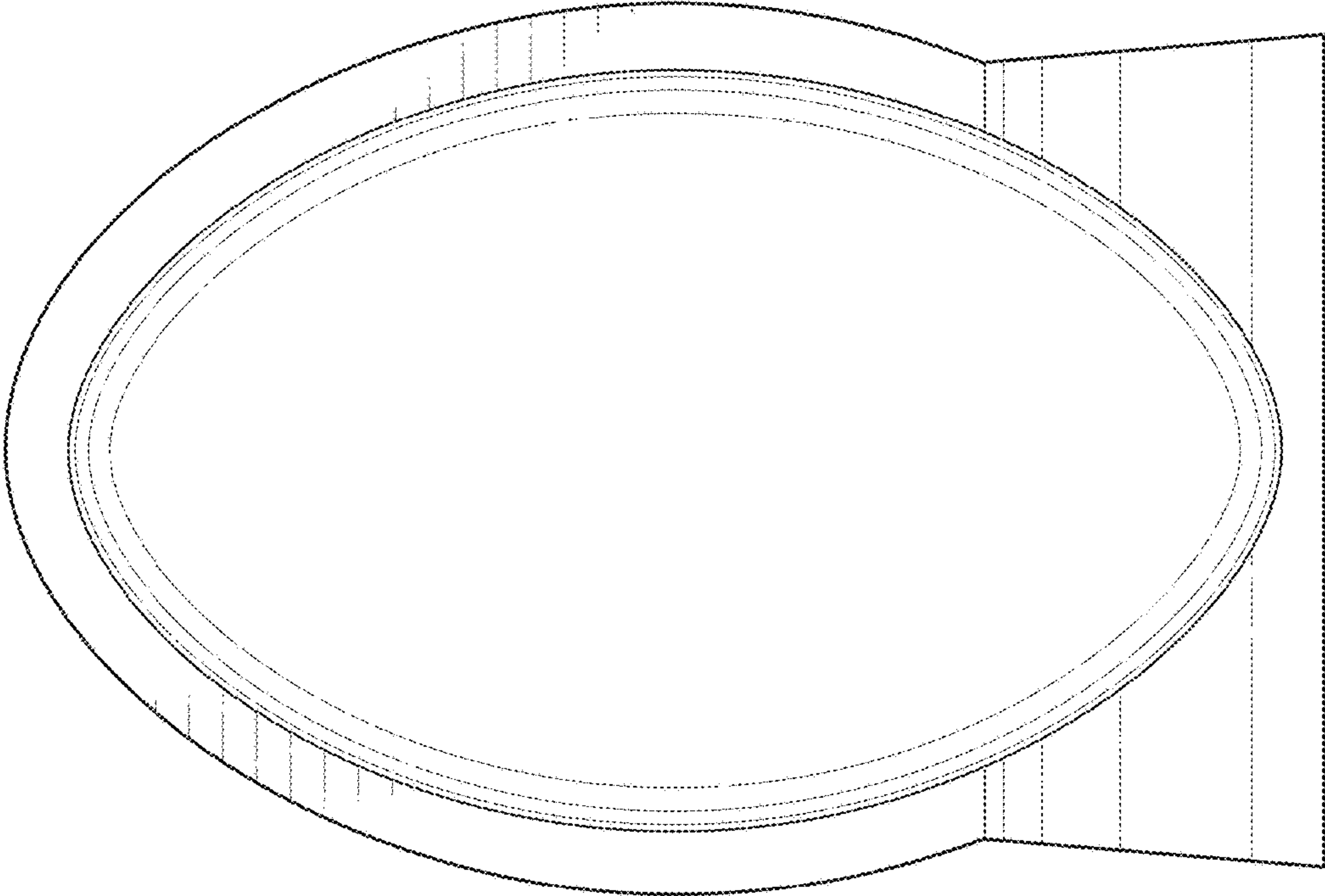


FIG. 3

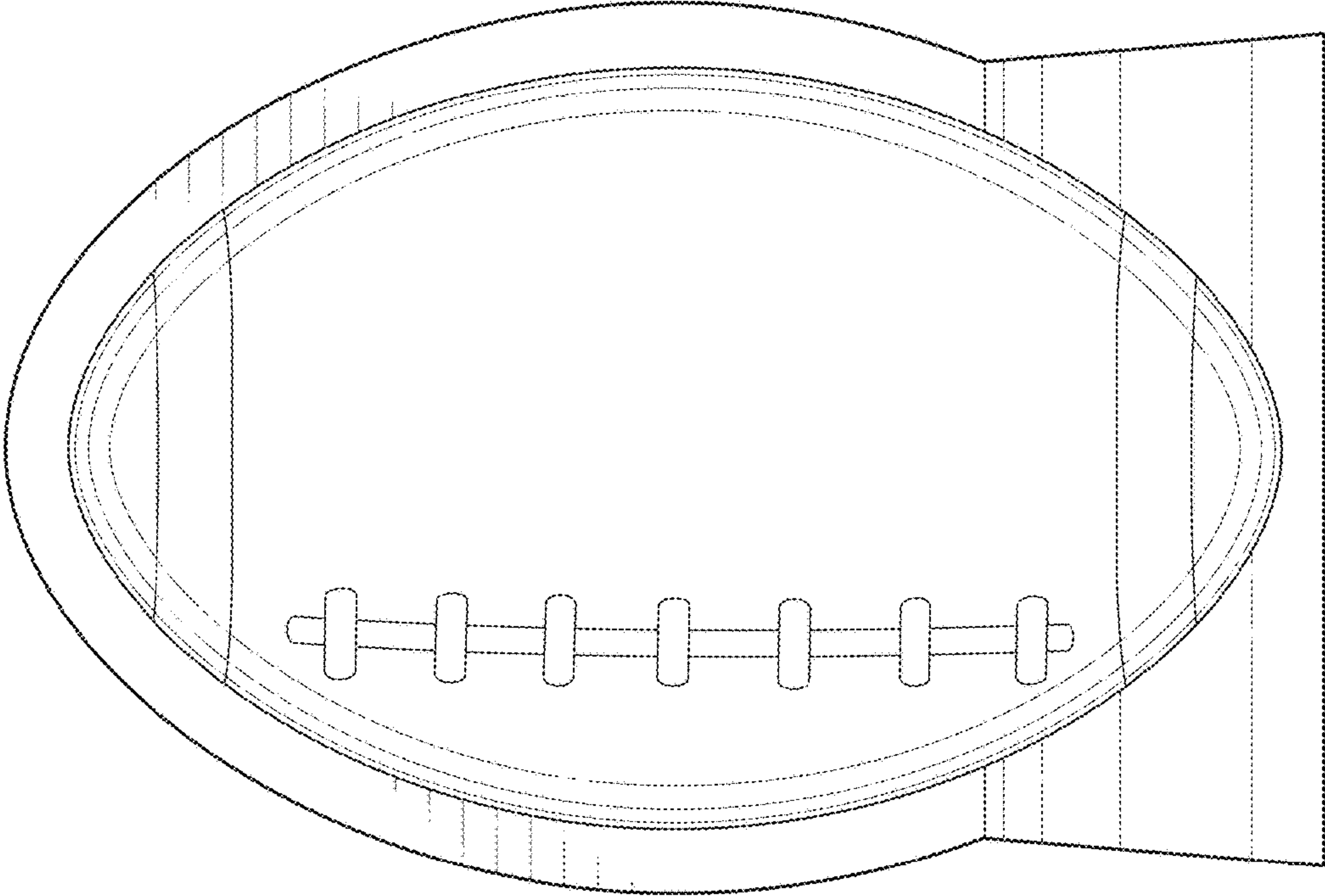


FIG. 2

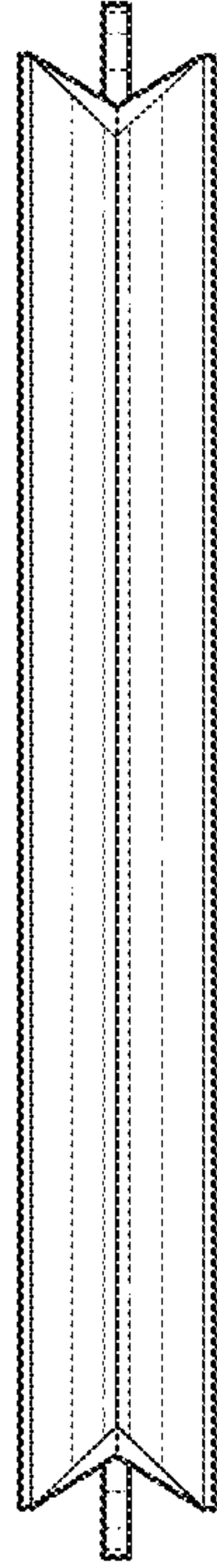


FIG. 5

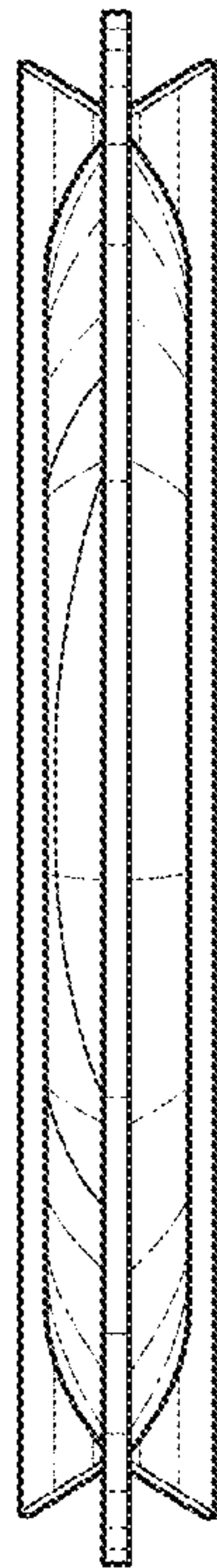


FIG. 4

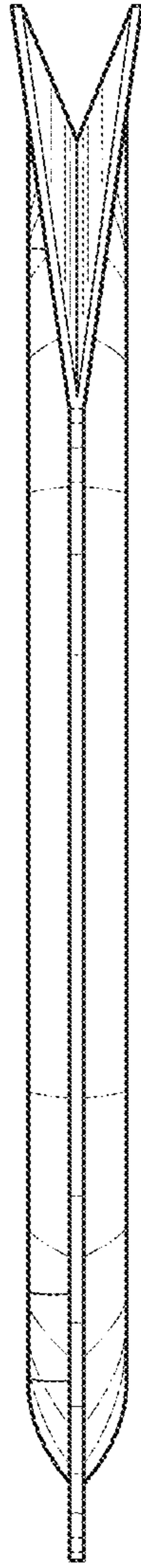


FIG. 6

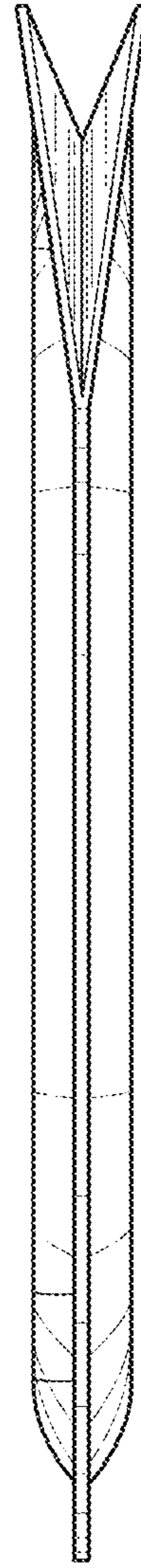


FIG. 7

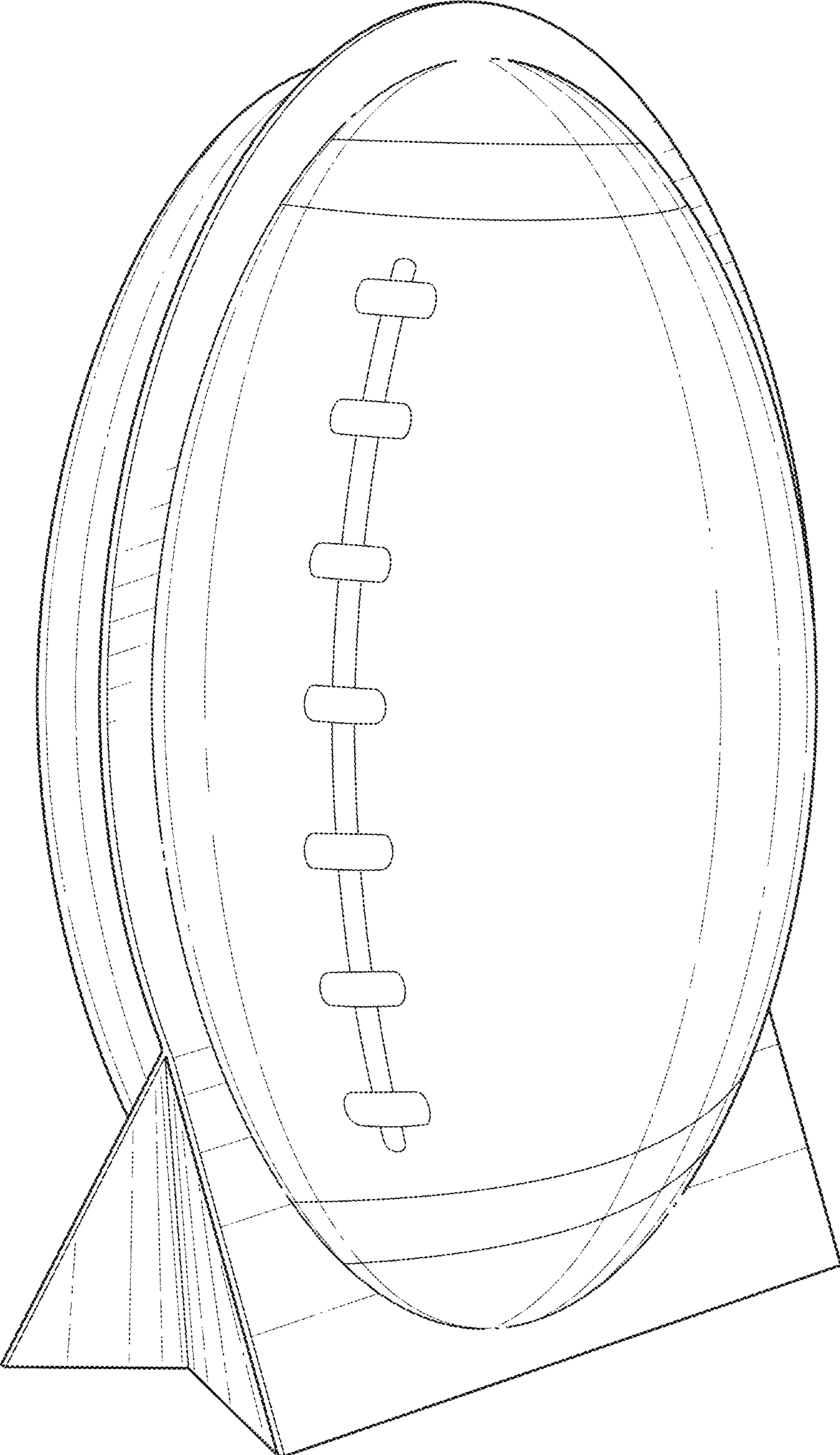


FIG. 8