

US00D834939S

(12) **United States Design Patent** (10) **Patent No.:** **US D834,939 S**  
**Hagleitner** (45) **Date of Patent:** **\*\* Dec. 4, 2018**

(54) **SLIDABLE CLOSURE FOR CONTAINERS**  
(71) Applicant: **Hans Georg Hagleitner**, Zell am See (AT)  
(72) Inventor: **Hans Georg Hagleitner**, Zell am See (AT)

6,327,754 B1 12/2001 Belmont et al.  
D479,467 S \* 9/2003 Buchman ..... D9/434  
D490,706 S 6/2004 Smith et al.  
D496,249 S 9/2004 Liebendorfer  
D512,909 S 12/2005 Buchman  
D531,896 S \* 11/2006 Blythe ..... D9/434  
D536,214 S 2/2007 Schuler et al.  
(Continued)

(\*\*) Term: **15 Years**  
(21) Appl. No.: **29/571,666**  
(22) Filed: **Jul. 20, 2016**

**FOREIGN PATENT DOCUMENTS**

AU 362485 7/2015  
AU 363072 8/2015  
(Continued)

**Related U.S. Application Data**

(62) Division of application No. 29/526,157, filed on May 7, 2015, now Pat. No. Des. 772,704.

**Foreign Application Priority Data**

Nov. 7, 2014 (EM) ..... 2573725

(51) **LOC (11) Cl.** ..... **09-07**  
(52) **U.S. Cl.**  
USPC ..... **D9/443; D9/449**  
(58) **Field of Classification Search**  
USPC ..... D3/201, 202, 318; D7/387, 392, 392.1, D7/396.2, 396.3, 397, 398; D8/354; D9/416, 419, 434-438, 440, 443, 445, D9/447, 449, 454, 456, 499; D25/124  
CPC ..... B65D 33/2591  
See application file for complete search history.

**OTHER PUBLICATIONS**

Gzcanchi. Slider. 2017 [earliest online date], [site visited Apr. 28, 2017]. Available from Internet, <URL:http://www.gzcanchi.com/en/ProductsList.aspx?id=30.\*  
Bolsas Zipper Albal published Sep. 24, 2014 www.youtube.com.  
Elite Bags contenedor de bolsillo catalog 2014, www.elitebags.es.

*Primary Examiner* — Eric L Goodman  
*Assistant Examiner* — Darcey E Heflin  
(74) *Attorney, Agent, or Firm* — Laurence A. Greenberg; Werner H. Stemer; Ralph E. Locher

(57) **CLAIM**

The ornamental design for a slidable closure for containers, as shown and described.

**DESCRIPTION**

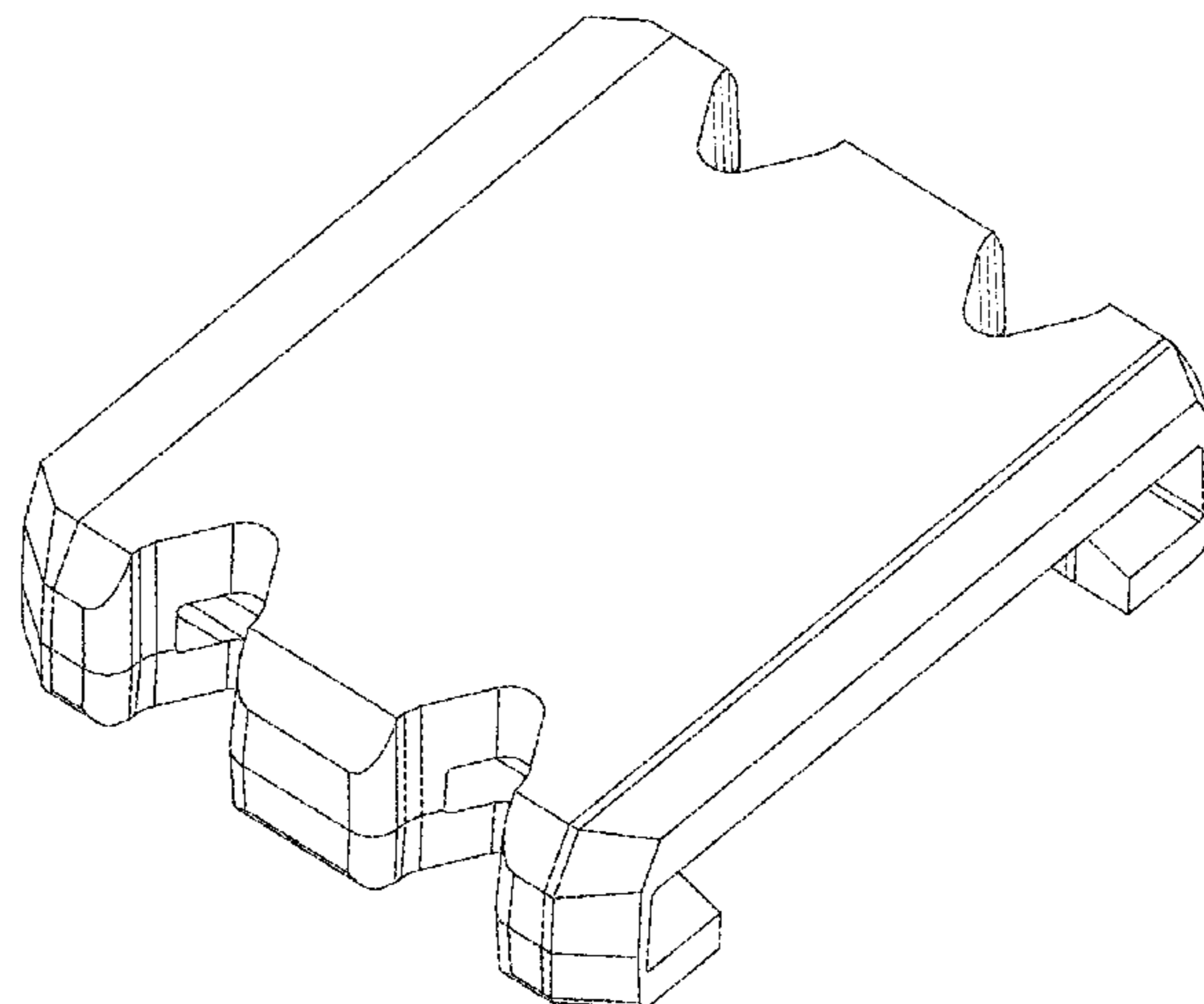
FIG. 1 is a top perspective view of slidable closure for containers, showing my new design;  
FIG. 2 is a bottom plan view thereof;  
FIG. 3 is a right side elevation view thereof, thereof;  
FIG. 4 is a left side elevation view thereof;  
FIG. 5 is a top plan view thereof;  
FIG. 6 is a front perspective view thereof; and,  
FIG. 7 is a rear perspective view thereof.

(56) **References Cited**

**U.S. PATENT DOCUMENTS**

2,606,351 A 8/1952 Wende  
D355,121 S 2/1995 Kohl  
D379,424 S 5/1997 White, Jr. et al.  
5,950,285 A 9/1999 Porchia et al.  
D418,394 S 1/2000 King  
D422,909 S 4/2000 Smith et al.  
D452,135 S \* 12/2001 Wyatt ..... D8/354

**1 Claim, 7 Drawing Sheets**



(56)

**References Cited**

FOREIGN PATENT DOCUMENTS

U.S. PATENT DOCUMENTS

D542,651 S *	5/2007	Ackerman .....	D9/434
D544,791 S *	6/2007	Buchman .....	D9/434
D548,073 S *	8/2007	Peaslee .....	D9/434
D631,324 S	1/2011	Azuma et al.	
D634,341 S *	3/2011	Luotoharju .....	D15/135
D636,657 S *	4/2011	Quinlan .....	D8/354
D663,954 S *	7/2012	Auster .....	D3/318
D752,867 S *	4/2016	Morszeck .....	D3/318
D758,170 S *	6/2016	Weber .....	D8/354
D770,278 S *	11/2016	Woodring .....	D9/443
D770,775 S *	11/2016	Robertson, III .....	D3/318
D772,704 S *	11/2016	Hagleitner .....	D9/443
D784,793 S *	4/2017	Kim .....	D8/354

AU	363073	8/2015
AU	363074	8/2015
AU	363130	8/2015
AU	363131	8/2015
CL	20031172	8/2004
CL	200802918	5/2009
GB	D2047378	5/1995
GB	D2103238	1/2001
GB	D3023823	1/2006
OA	MI0667175-01	7/2007
OA	MI0926613-01	4/2008

\* cited by examiner

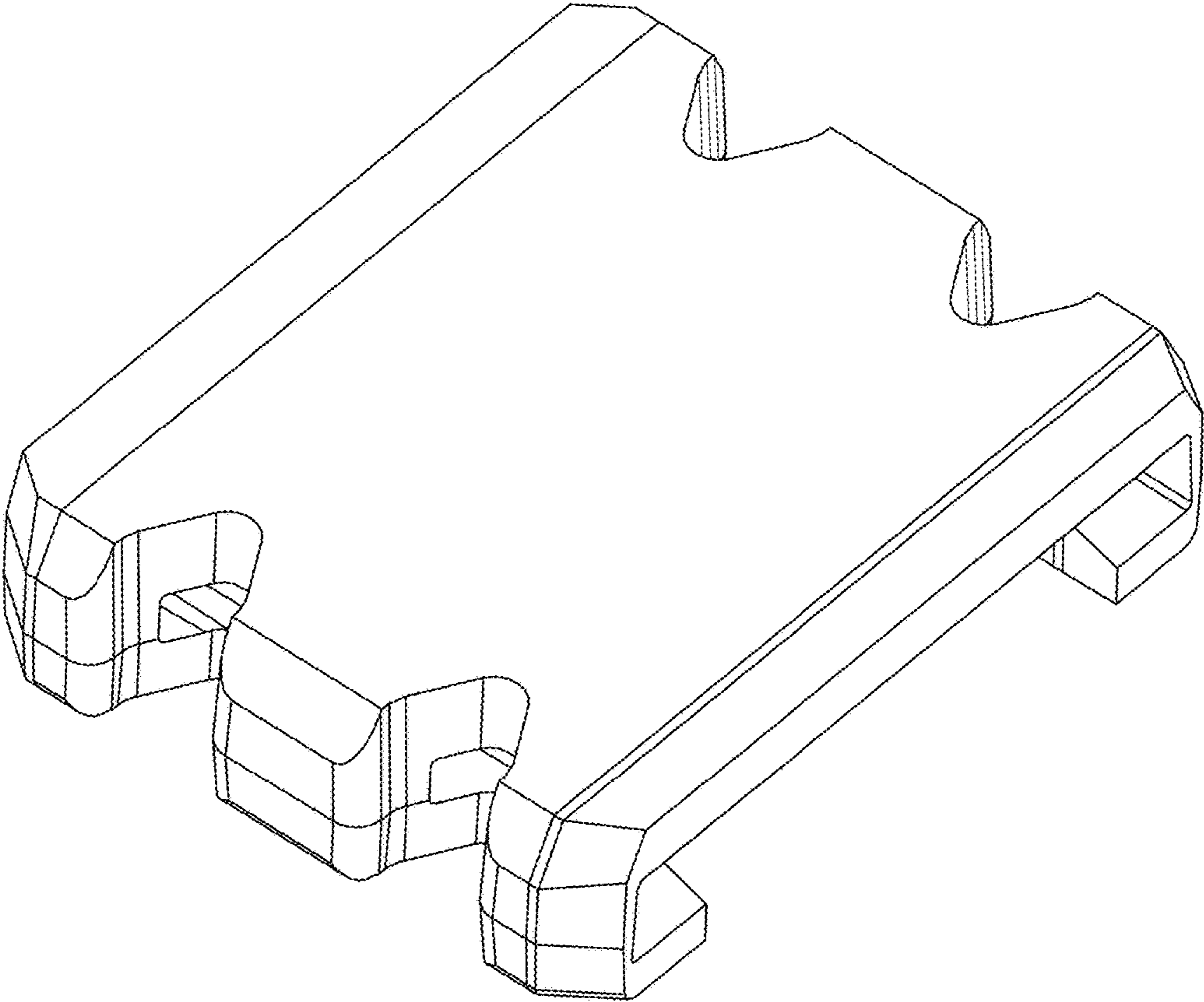


FIG. 1

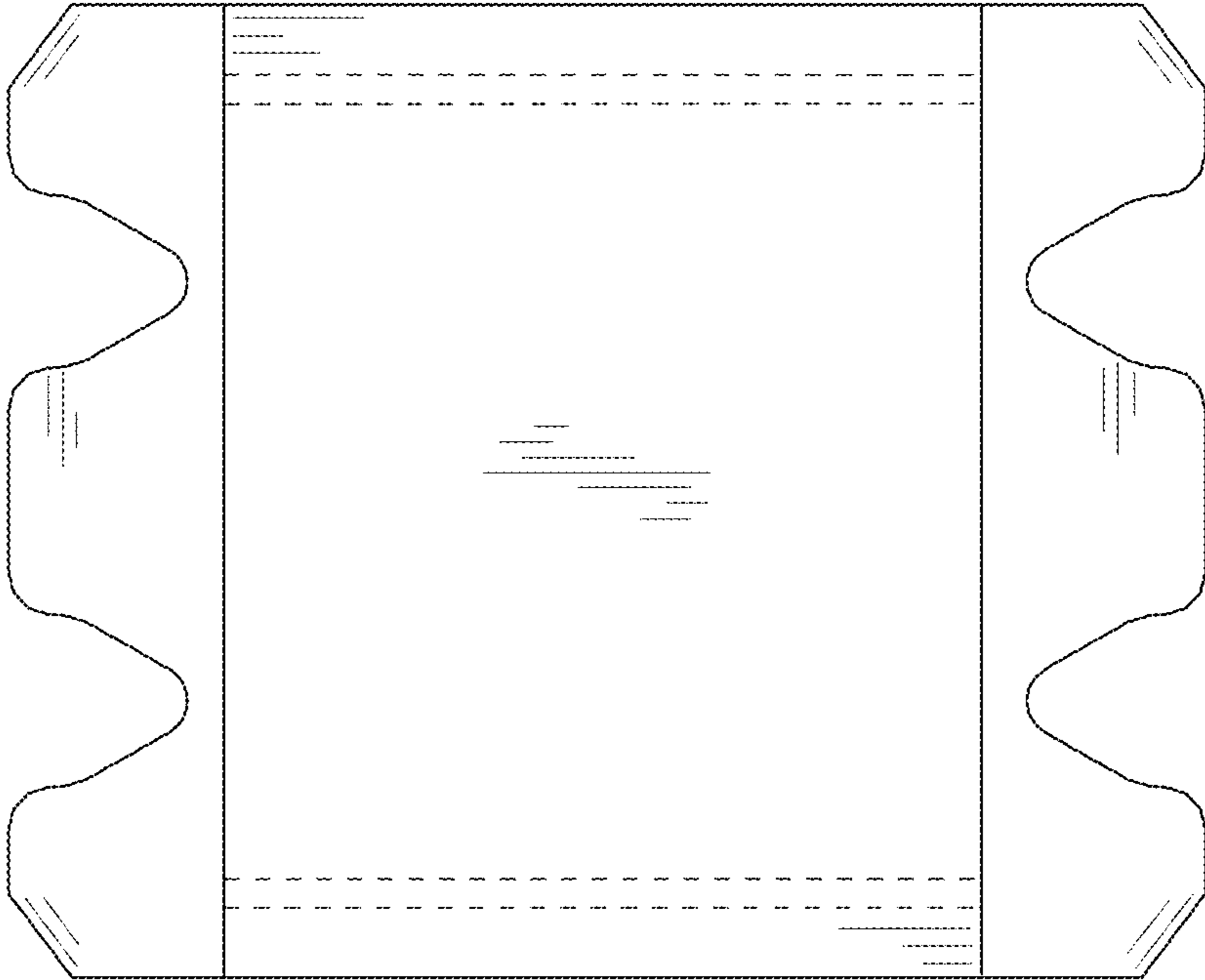


FIG. 2

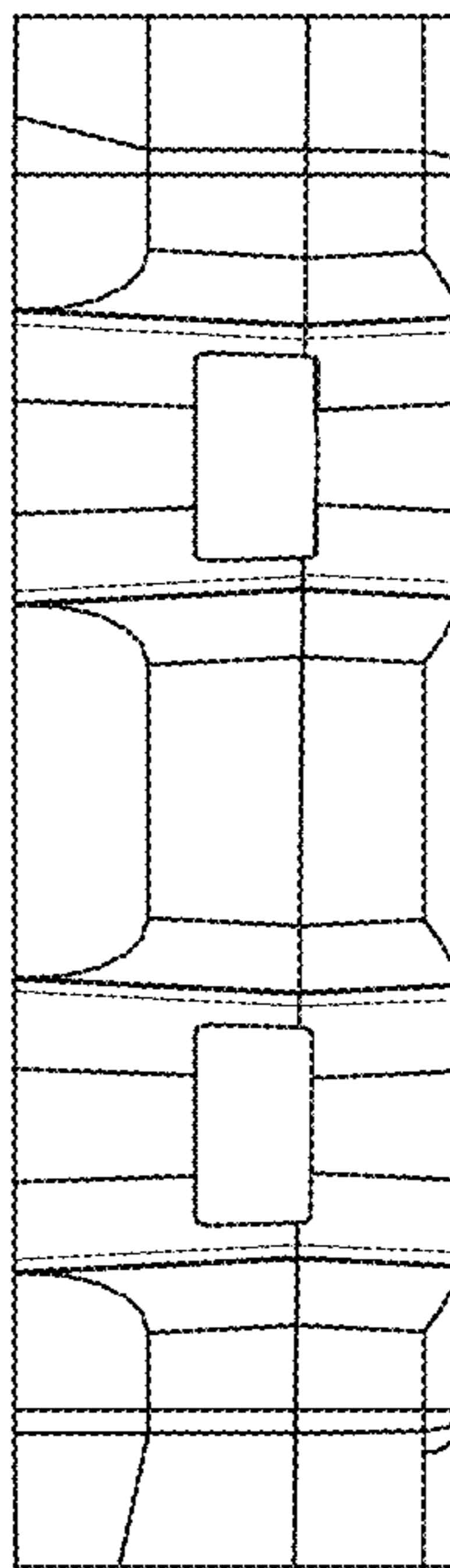


FIG. 3

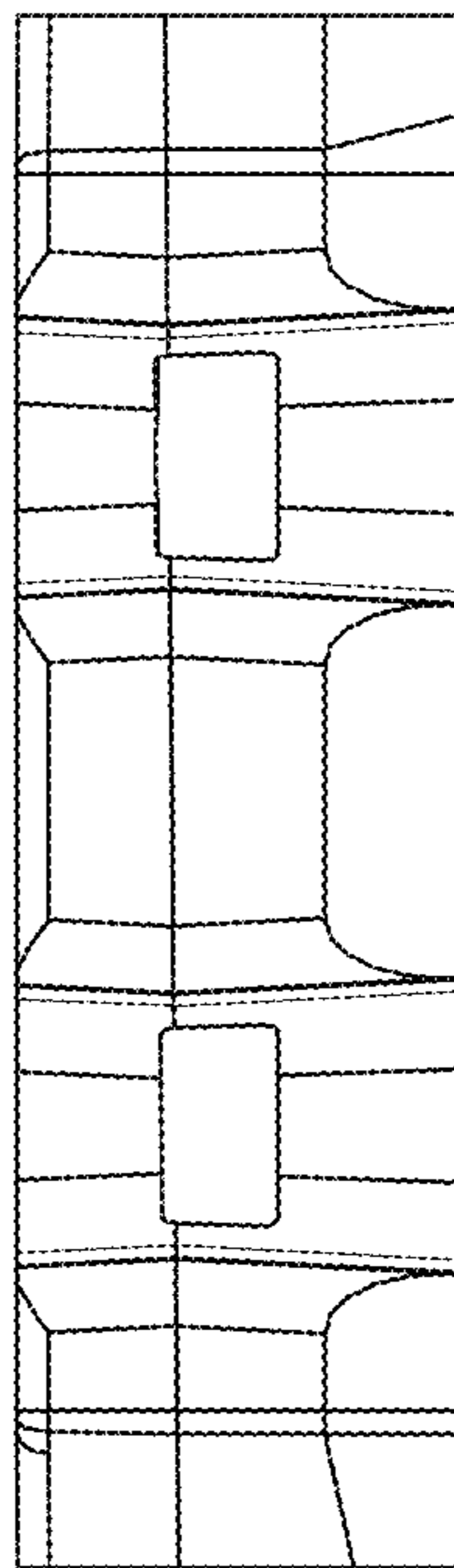


FIG. 4

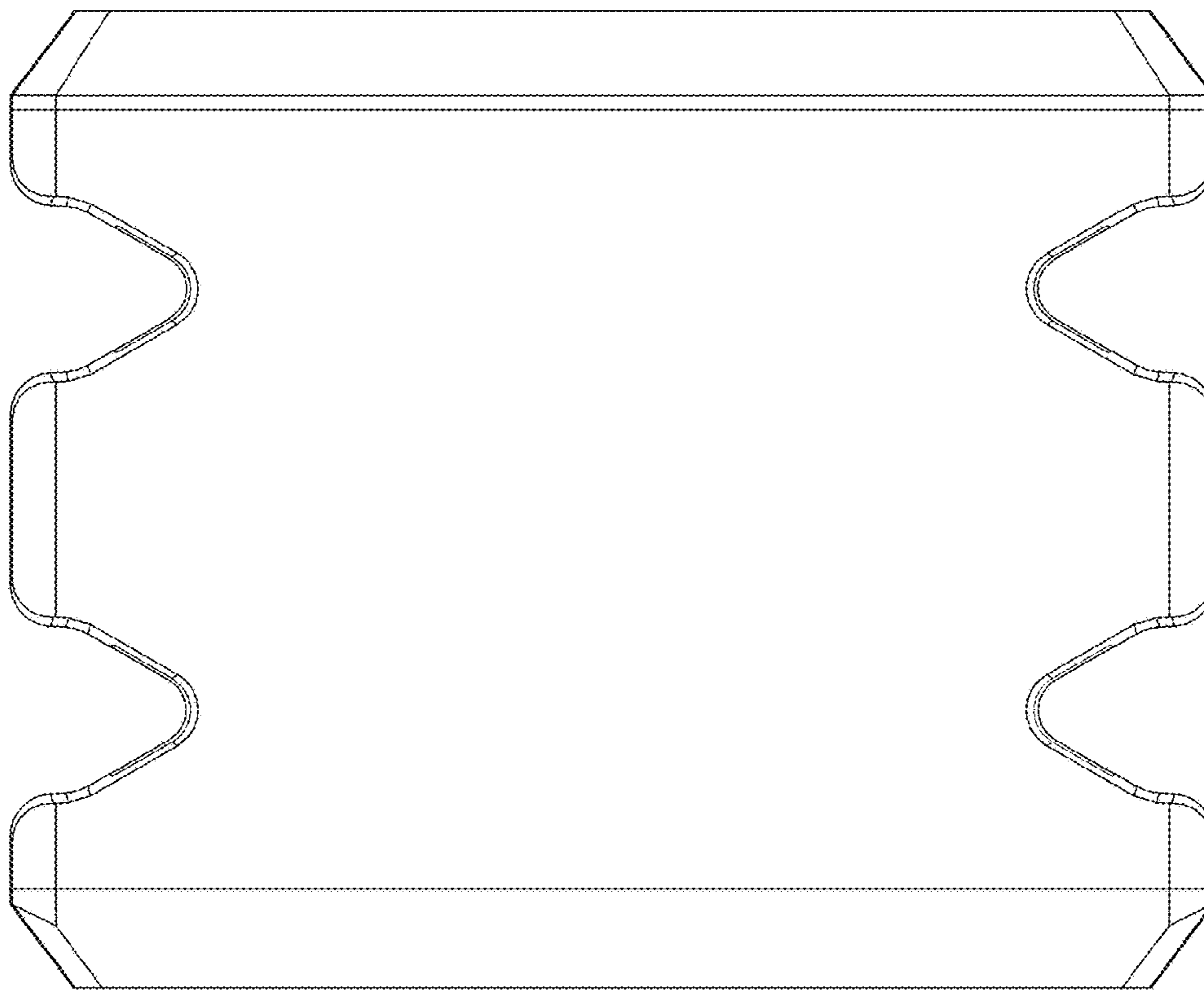


FIG. 5

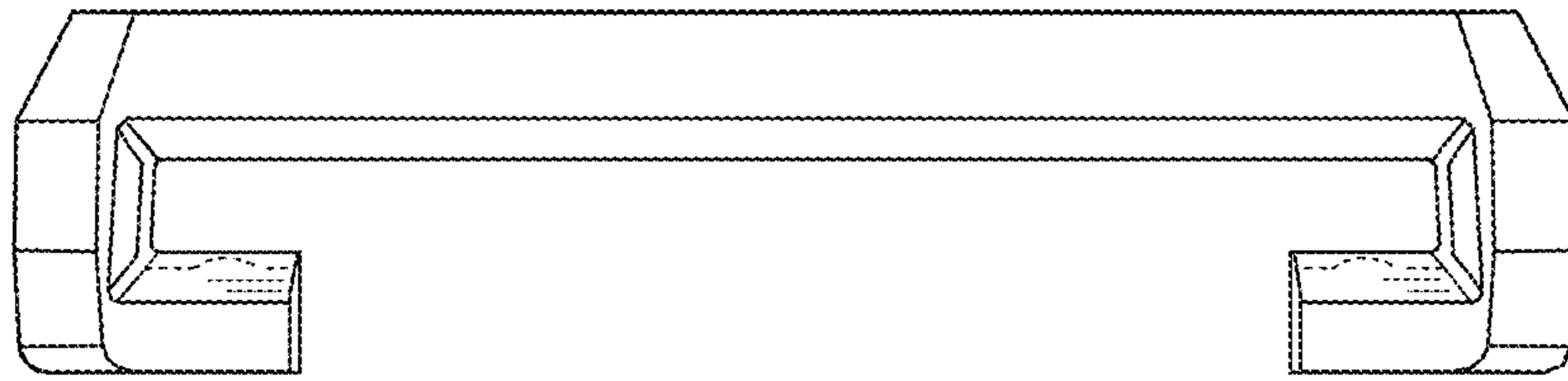


FIG. 6



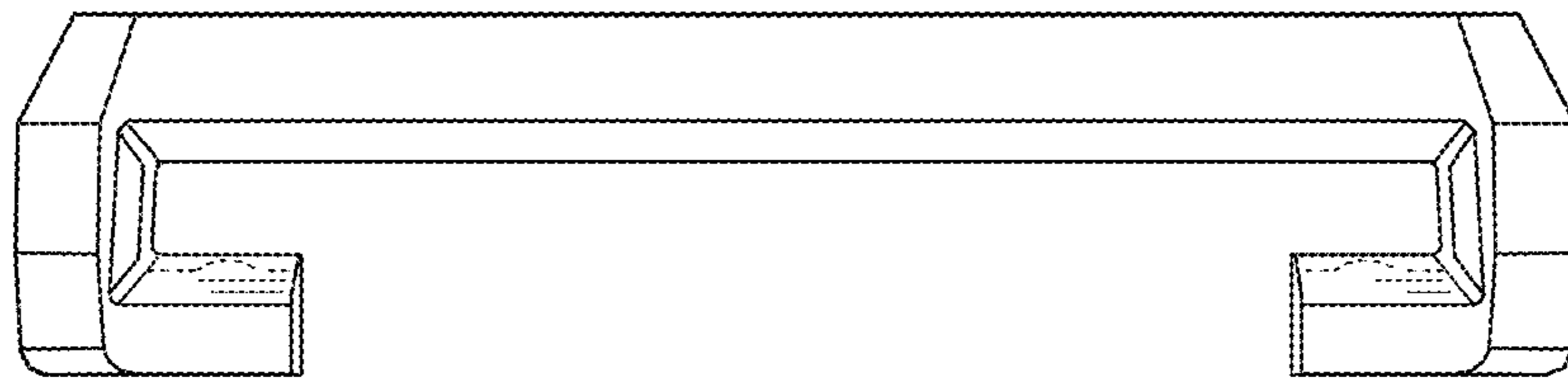


FIG. 7