



US00D834938S

(12) **United States Design Patent** (10) **Patent No.:** **US D834,938 S**
Barnes et al. (45) **Date of Patent:** **** Dec. 4, 2018**

- (54) **MEDICATION FLAVORING CONTAINER BOTTLE CAP** D368,223 S * 3/1996 Williamson D9/435
5,868,323 A * 2/1999 Cantor B65D 47/0842
222/556
- (71) Applicant: **Fillmaster Systems, LLC**, Columbia, MD (US) 5,873,494 A * 2/1999 Dallas, Jr. B65D 81/3283
222/129
- (72) Inventors: **Kevin Barnes**, Baltimore, MD (US); D465,970 S * 11/2002 Dimeo D7/392.1
Adam Delecki, Radnor, PA (US); D483,262 S * 12/2003 Carter D9/444
Kevin Kubit, Annapolis, MD (US) D483,263 S * 12/2003 Carter D9/436
D522,145 S * 5/2006 Best D10/81
D539,084 S * 3/2007 Cundieff D7/401.1
D540,380 S * 4/2007 Hoshiya D18/56
D590,255 S * 4/2009 Maxwell D9/447
D606,862 S * 12/2009 Mora-Hernandez D9/449
D613,160 S * 4/2010 Ablo D9/436
- (73) Assignee: **Fillmaster Systems, LLC**, Columbia, MD (US)
- (**) Term: **15 Years** (Continued)

(21) Appl. No.: **29/577,978**

(22) Filed: **Sep. 16, 2016**

(51) **LOC (11) Cl.** **09-07**

(52) **U.S. Cl.**
USPC **D9/435**

(58) **Field of Classification Search**
USPC D9/414, 417, 428, 432, 434, 435,
D9/443-450, 452-456, 499, 682-685,
D9/652; D7/387, 392, 392.1, 393,
D7/396.1-396.4, 398, 401.1, 507,
D7/509-511, 538, 900; D3/202, 294,
D3/318; D28/91.1, 41; D24/121, 224
CPC .. A61J 1/00; A61J 1/1412; B65D 1/00; B65D
1/02; B65D 1/10; B65D 1/46; B65D
2585/56; B65D 2585/545; B65D 41/00;
B65D 41/38; B65D 41/56; B65D 41/62;
B65D 47/00; B65D 47/06; B65D 47/08;
B65D 2543/00046; B65D 2543/00092;
B65D 2543/00296; B65D 5/46; B65D
2251/00
See application file for complete search history.

(56) **References Cited**

U.S. PATENT DOCUMENTS

- D349,558 S * 8/1994 Albers D23/225
- D349,647 S * 8/1994 Moffitt D9/435

Primary Examiner — Karen S Acker
Assistant Examiner — Wendy L Arminio
 (74) *Attorney, Agent, or Firm* — Alan G. Towner; Leech
 Tishman Fuscaldo & Lampl

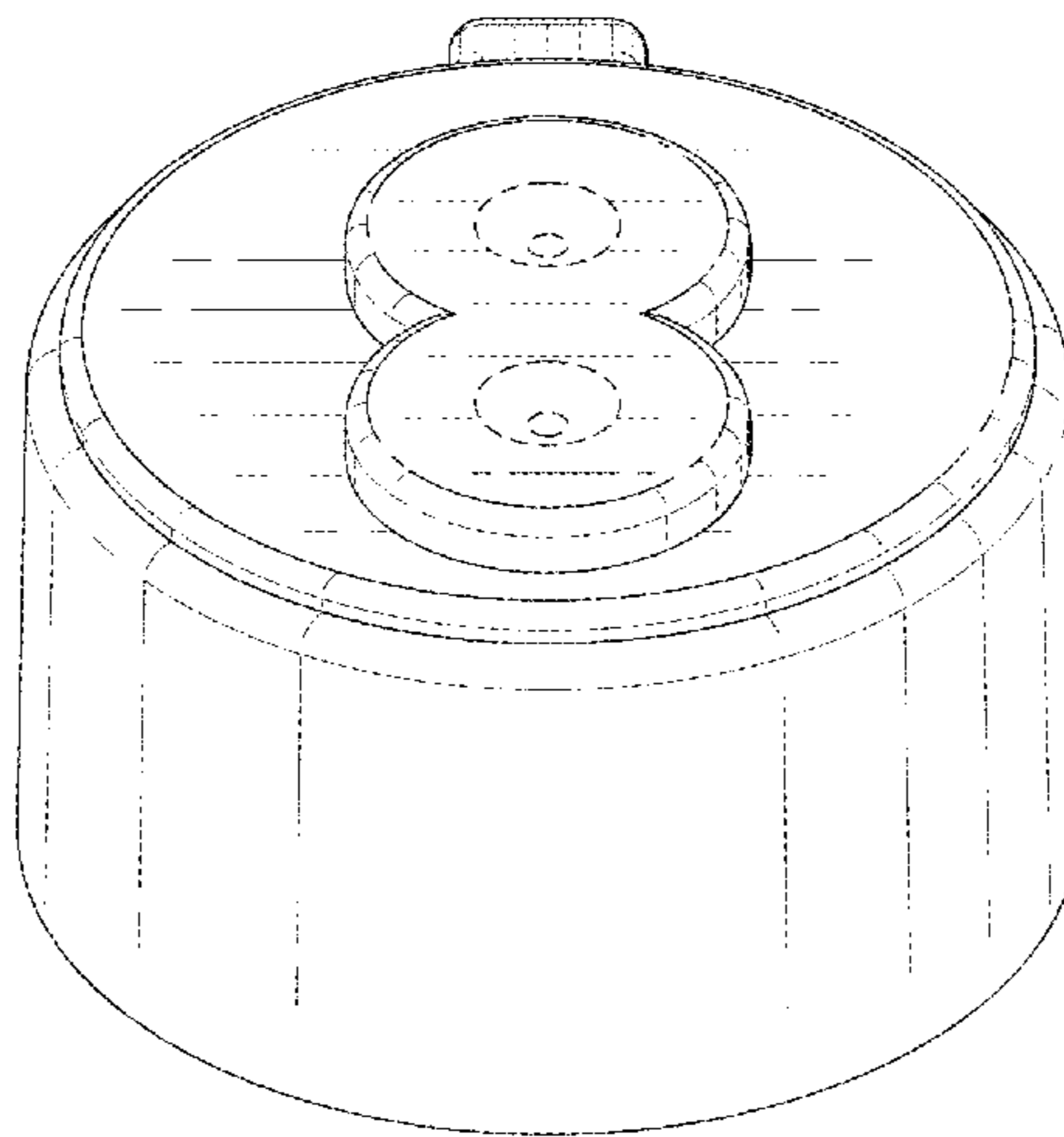
(57) **CLAIM**

The ornamental design for a medication flavoring container bottle cap, as shown and described.

DESCRIPTION

FIG. 1 is a top and front isometric view of a medication flavoring container bottle cap showing our new design; FIG. 2 is a bottom and front isometric view thereof; FIG. 3 is a front view thereof; FIG. 4 is a back view thereof; FIG. 5 is a right side view thereof; FIG. 6 is a left side view thereof; FIG. 7 is a top view thereof; and, FIG. 8 is a bottom view thereof. The broken lines and the unshaded area in between the broken lines depict portions of the medication flavoring container bottle cap that form no part of the claimed design. In FIGS. 2 and 8 the innermost solid line of the bottom of the cap forms the boundary of the claim.

1 Claim, 5 Drawing Sheets



(56)

References Cited

U.S. PATENT DOCUMENTS

8,720,715 B2 * 5/2014 Mader A61J 1/1406
215/247
D731,672 S * 6/2015 Kuroda D24/224
D736,080 S * 8/2015 Lavender D9/434
D754,361 S * 4/2016 McHale D24/224
D772,706 S * 11/2016 Zhang D9/434
D779,081 S * 2/2017 McHale D24/227
2017/0081168 A1 * 3/2017 Seay A23L 2/56

* cited by examiner

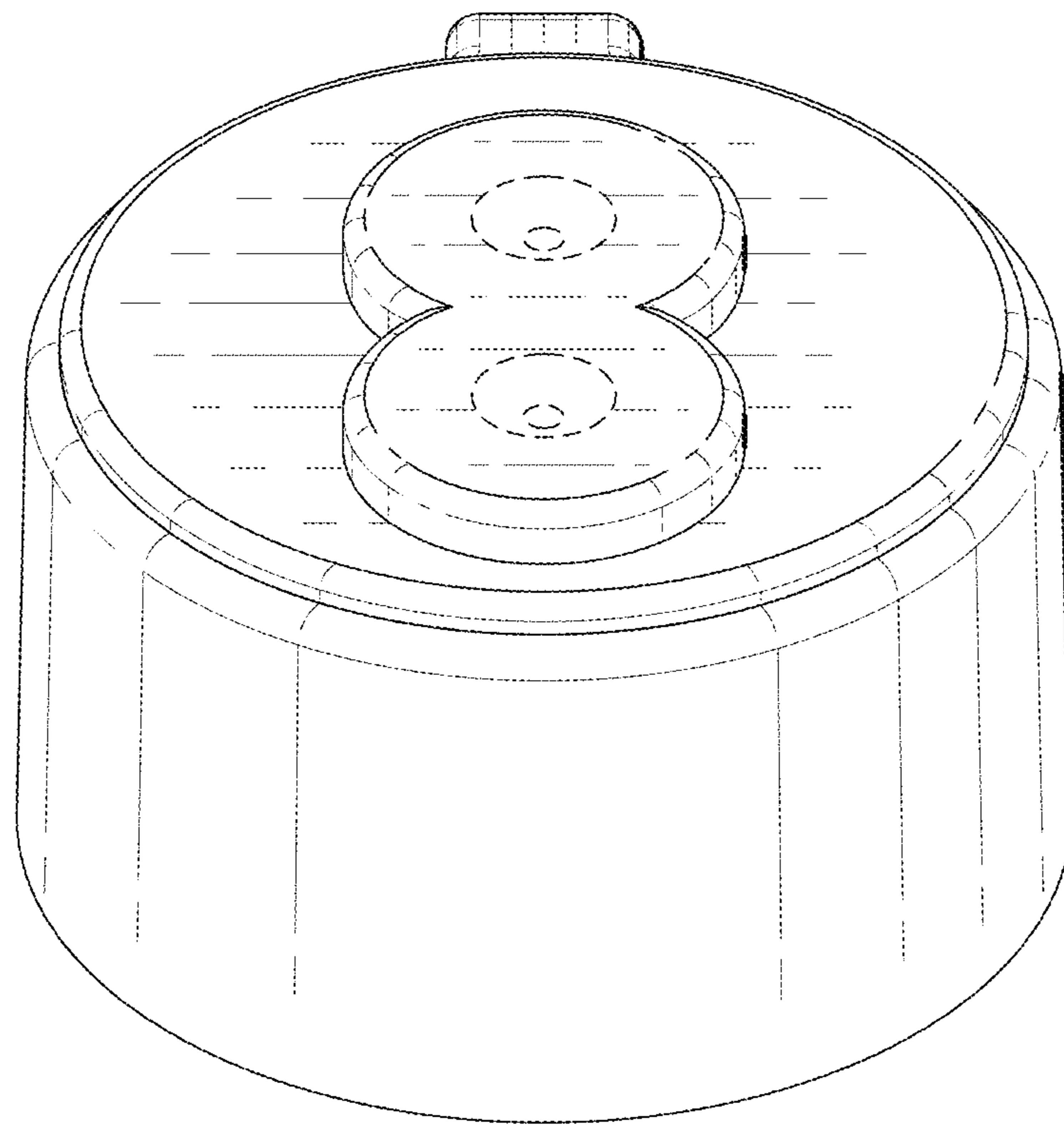


FIG. 1

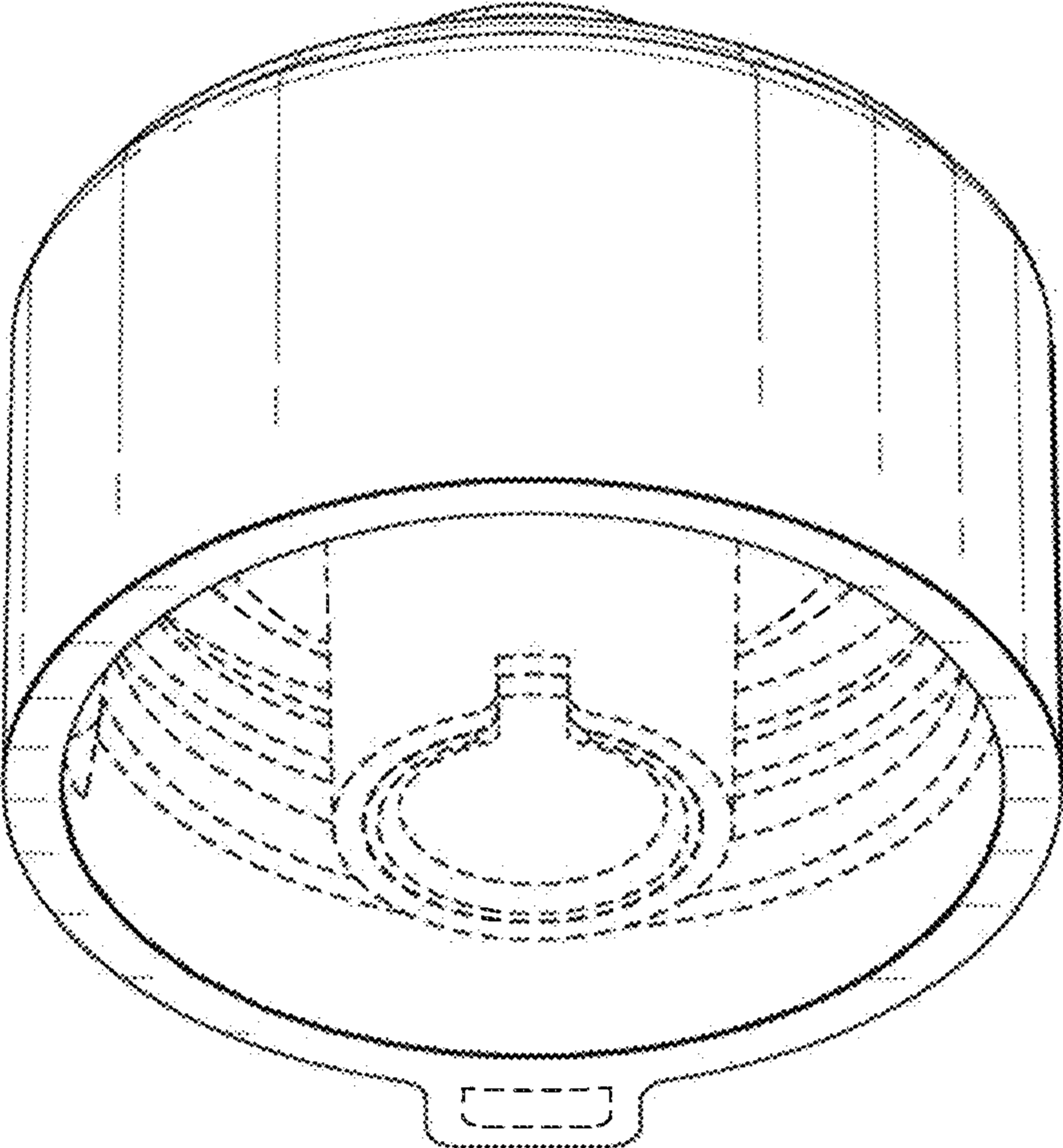


FIG. 2

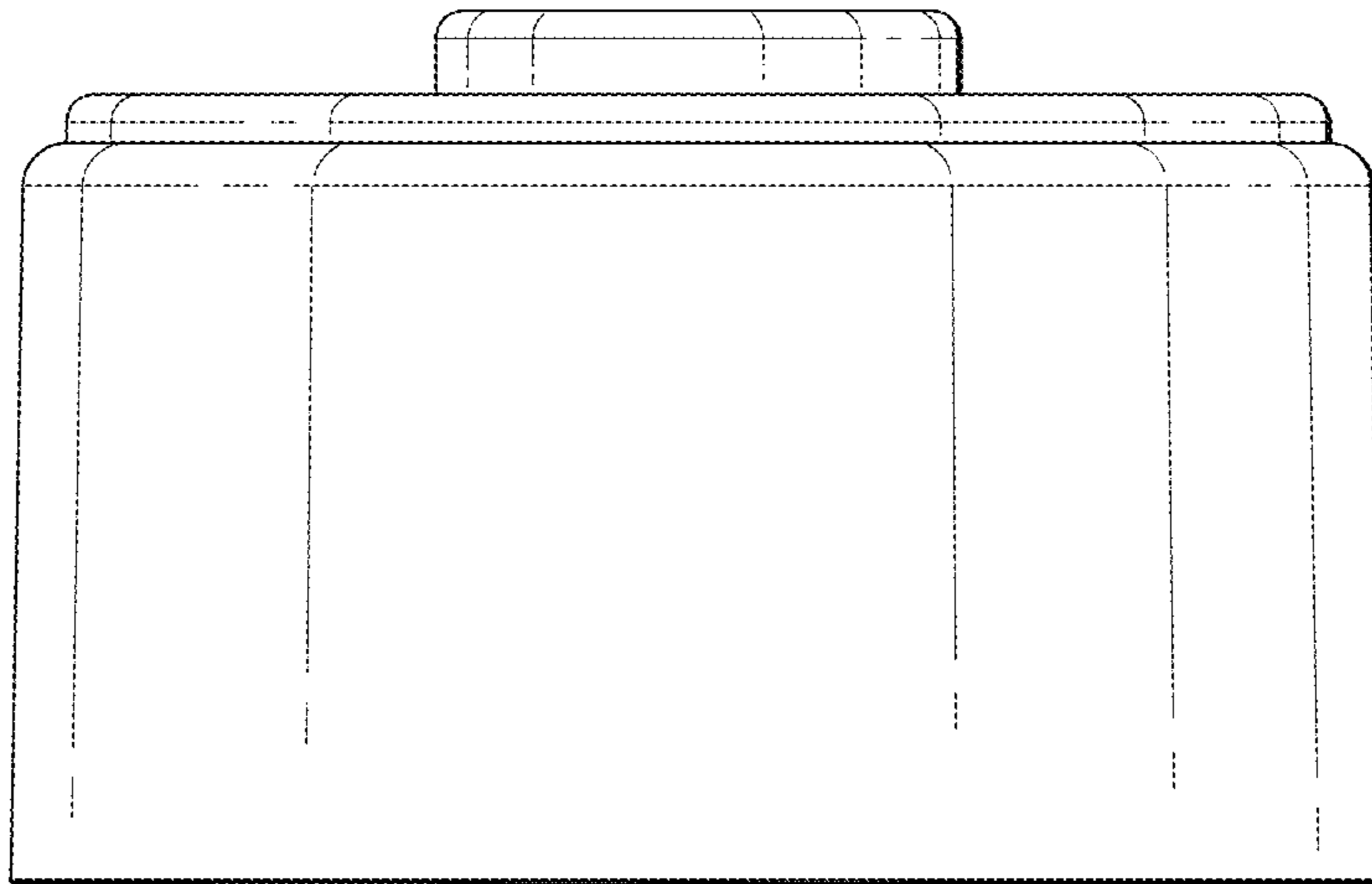


FIG. 3

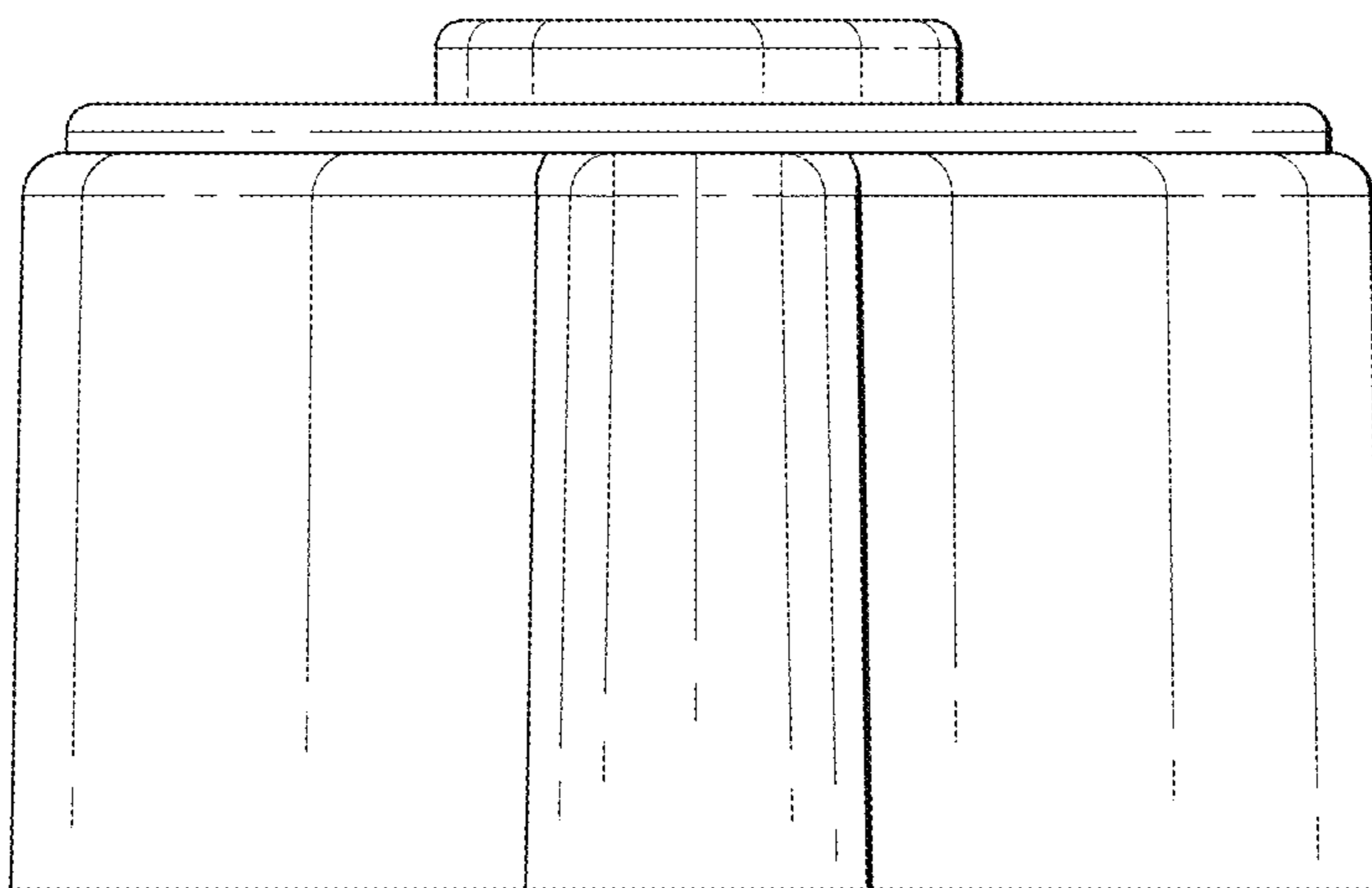


FIG. 4

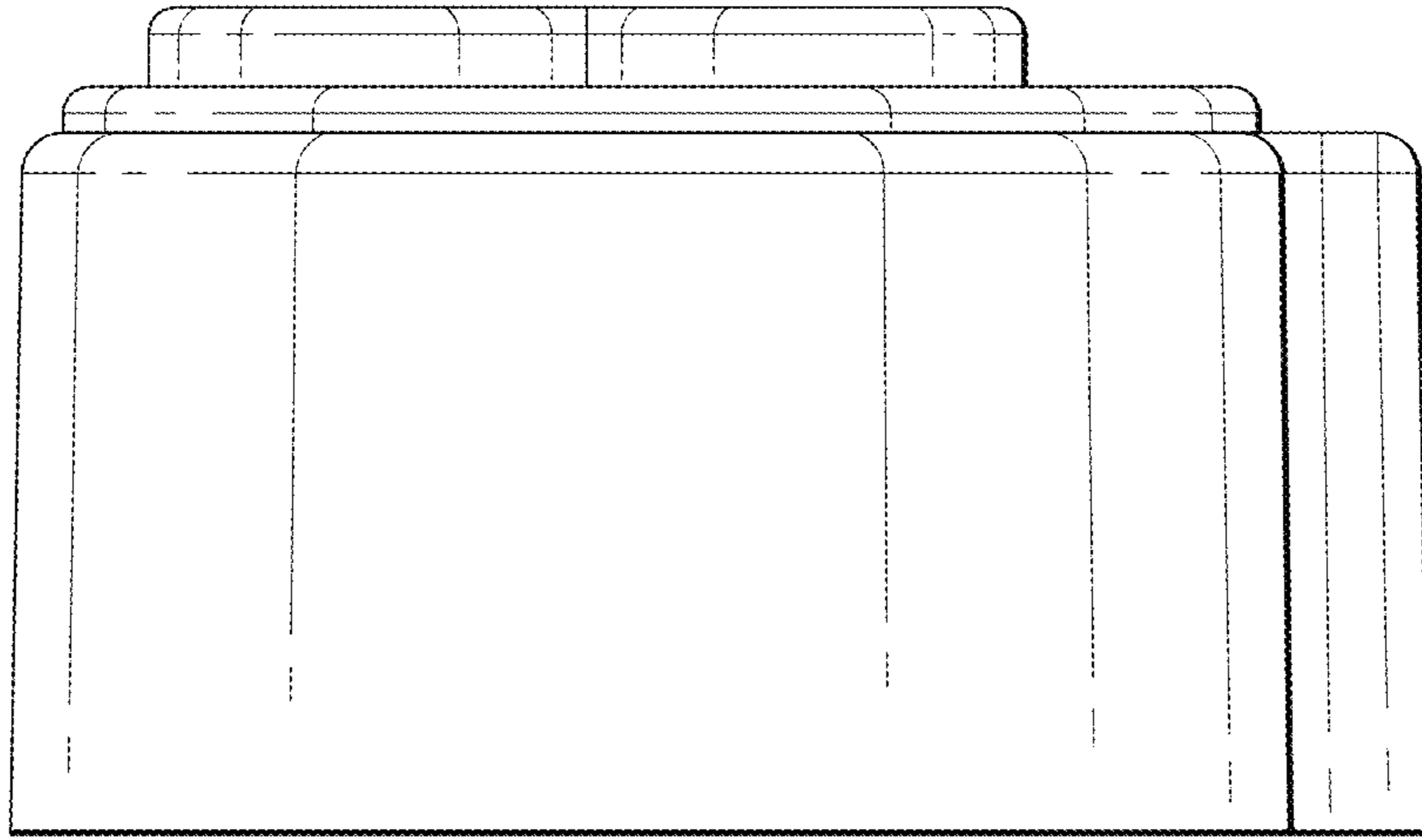


FIG. 5

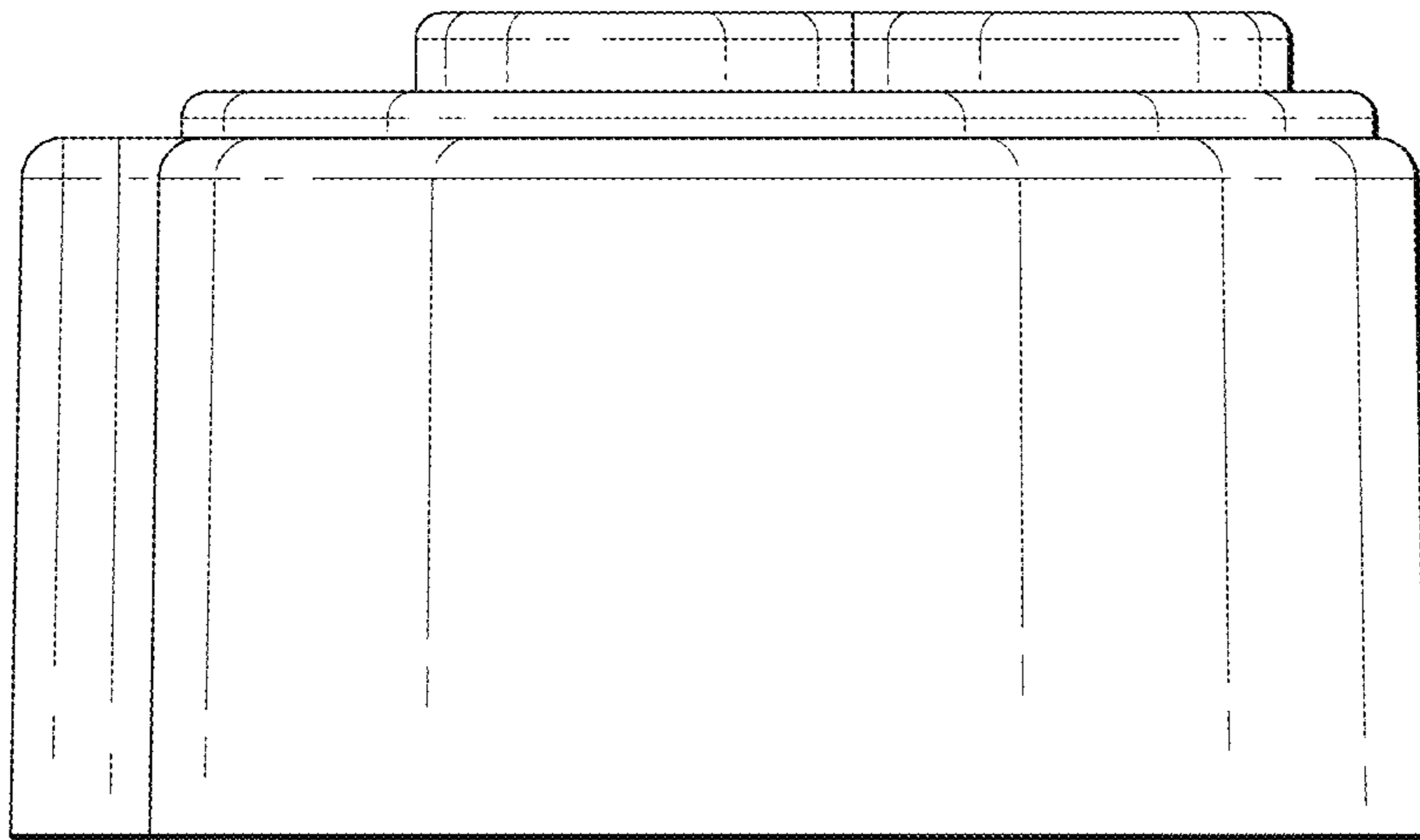


FIG. 6

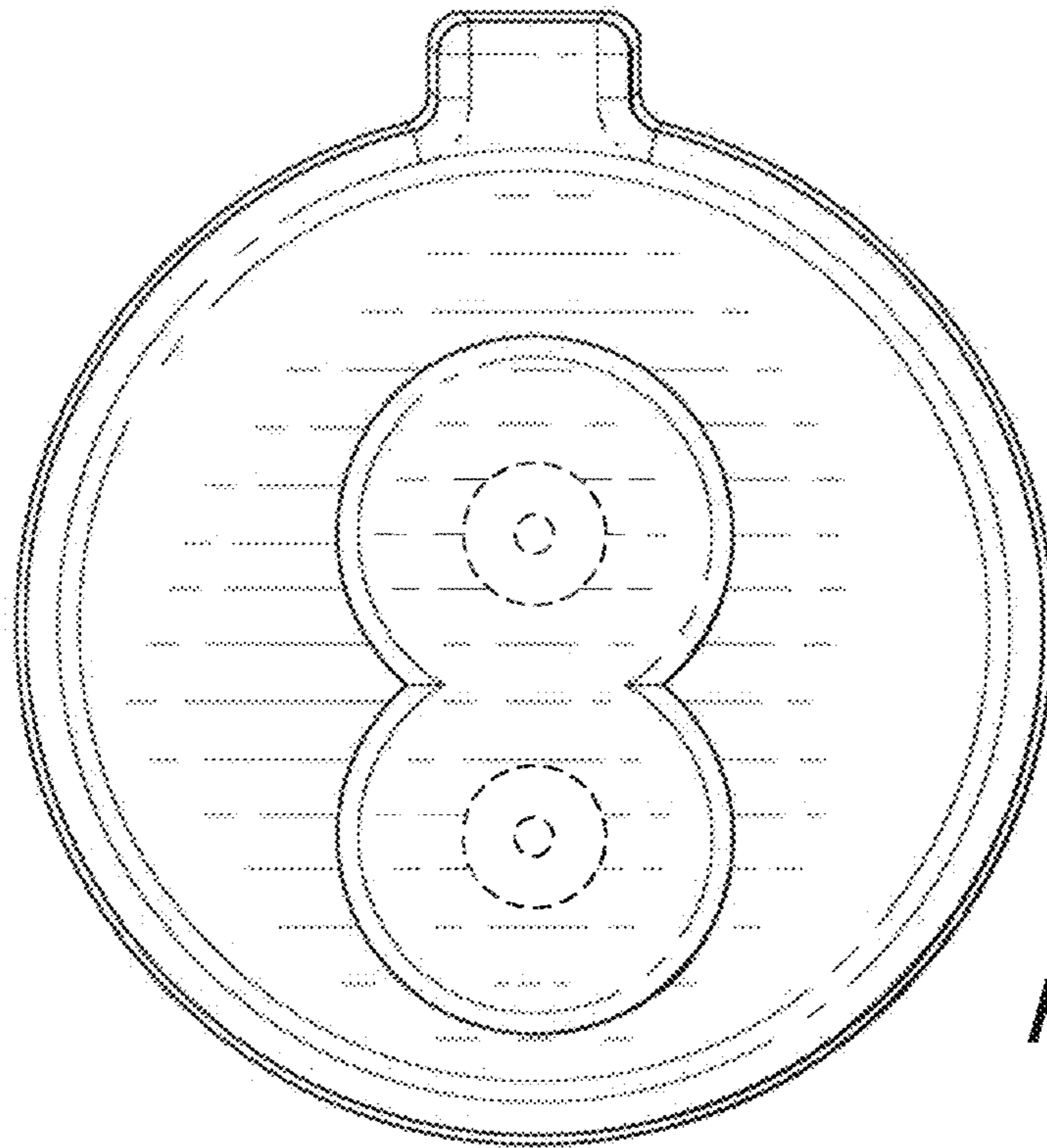


FIG. 7

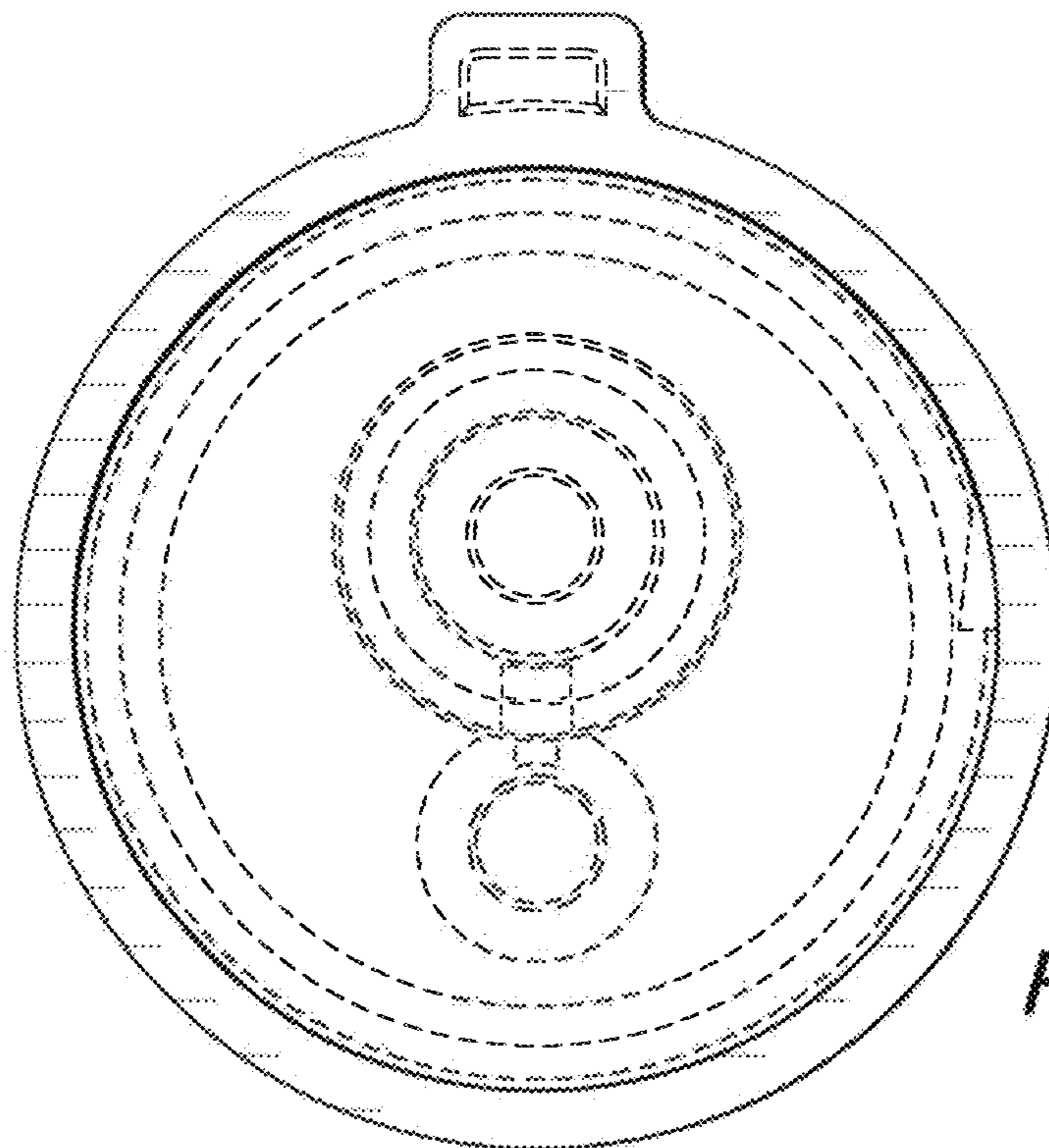


FIG. 8