



US00D834937S

(12) **United States Design Patent** (10) **Patent No.:** **US D834,937 S**
McKenzie et al. (45) **Date of Patent:** **** Dec. 4, 2018**

(54) **E-CIGARETTE PACKAGING**

- (71) Applicant: **Nicoventures Holdings Limited**, London (GB)
- (72) Inventors: **Aaron McKenzie**, London (GB); **Andy Dray**, London (GB)
- (73) Assignee: **NICOVENTURES HOLDINGS LIMITED**, London (GB)
- (**) Term: **15 Years**
- (21) Appl. No.: **29/582,375**
- (22) Filed: **Oct. 27, 2016**
- (30) **Foreign Application Priority Data**

- Apr. 29, 2016 (EM) 003101542
- (51) **LOC (11) Cl.** **09-03**
- (52) **U.S. Cl.**
USPC **D9/432; D9/421**
- (58) **Field of Classification Search**
USPC D9/414-423, 430-434, 457, 711, 713, D9/720-722, 733, 734, 737, 761; D3/290, 304, 305, 315; D20/10, 22, 27, D20/28, 39, 40, 42
CPC B65D 5/00; B65D 5/0015; B65D 5/061; B65D 5/18; B65D 5/20; B65D 5/32; B65D 5/321; B65D 5/322
See application file for complete search history.

(56) **References Cited**

U.S. PATENT DOCUMENTS

- D316,816 S * 5/1991 Wiholm D9/432
- D337,940 S * 8/1993 Aquino D19/90
- D511,093 S 11/2005 Keeton

(Continued)

FOREIGN PATENT DOCUMENTS

- CN 300867097 D 11/2004
- CN 300840847 D 9/2007

(Continued)

OTHER PUBLICATIONS

No. 7 E Cigarette Review. [online] Published on Nov. 1, 2012. Retrieved Sep. 25, 2017 from URL: <http://newelectroniccigaretterevue.com/no-7-e-cigarette-review/>.*

(Continued)

Primary Examiner — Vy N Koenig

(74) *Attorney, Agent, or Firm* — Patterson Thuent Pedersen, P.A.

(57) **CLAIM**

We claim the ornamental design for an E-cigarette packaging, as shown and described.

DESCRIPTION

FIG. 1 is a perspective view of an assembled E-cigarette packaging showing our new design.

FIG. 2 is an exploded perspective view of the sleeve, box and insert components of the assembled E-cigarette packaging depicted in FIG. 1.

FIG. 3 is a front view of the assembled E-cigarette packaging depicted in FIG. 1.

FIG. 4 is a back view of the assembled E-cigarette packaging depicted in FIG. 1.

FIG. 5 is a top view of the assembled E-cigarette packaging depicted in FIG. 1.

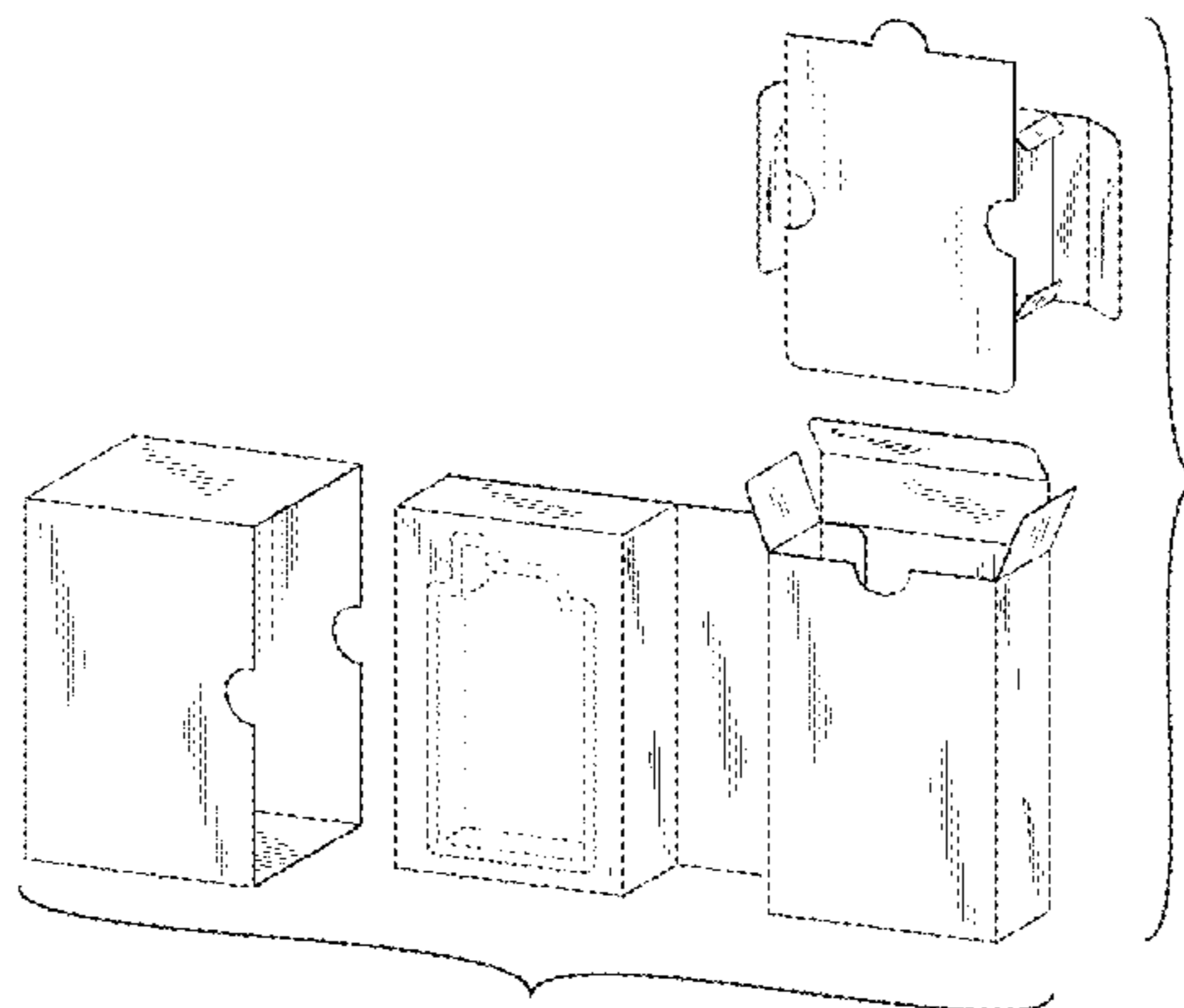
FIG. 6 is a bottom view of the assembled E-cigarette packaging depicted in FIG. 1.

FIG. 7 is a first side view of the assembled E-cigarette packaging depicted in FIG. 1; and,

FIG. 8 is a second side view of the assembled E-cigarette packaging depicted in FIG. 1.

The broken lines in the drawings depict portions of the E-cigarette packaging that form no part of the claimed design.

1 Claim, 7 Drawing Sheets



(56)

References Cited

U.S. PATENT DOCUMENTS

D517,911 S 3/2006 Alexander et al.
 D519,367 S 4/2006 Alexander
 D521,862 S 5/2006 Siethoff et al.
 D573,459 S 7/2008 Snider et al.
 D580,751 S * 11/2008 Buick D9/432
 D590,249 S 4/2009 Yanchev
 D590,708 S 4/2009 Maguire et al.
 D593,409 S * 6/2009 Buick D27/189
 D600,964 S 9/2009 Elias et al.
 D625,598 S 10/2010 Ruth
 D632,169 S 2/2011 Ruth
 D645,735 S 9/2011 Clark et al.
 D652,294 S 1/2012 Seneca et al.
 D665,665 S 8/2012 Seneca et al.
 D668,948 S 10/2012 LaTrobe
 D669,775 S 10/2012 Traldi
 D669,776 S 10/2012 Traldi
 D683,241 S * 5/2013 Ghini D9/721
 9,089,166 B1 * 7/2015 Scatterday A24F 15/12
 D764,904 S * 8/2016 Moseri D9/414
 D785,452 S * 5/2017 Lee D9/432
 D786,062 S * 5/2017 Ogdon D9/432
 D786,670 S * 5/2017 Lin D9/432
 D789,153 S * 6/2017 Bar D7/601
 D793,224 S * 8/2017 Sagardoy Muniesa D9/416
 2004/0163990 A1 8/2004 Begim
 2005/0247581 A1 11/2005 Begim
 2006/0110573 A1 5/2006 Peng et al.
 2006/0131207 A1 6/2006 Kari
 2008/0060957 A1 3/2008 Ford et al.
 2017/0043928 A1 * 2/2017 Piao B65D 77/02

FOREIGN PATENT DOCUMENTS

CN 101284571 A 10/2008
 CN 301416195 S 1/2010
 CN 301416196 S 1/2010
 CN 302216014 S 7/2012
 CN 303428043 S 7/2015
 CN 204548725 U 8/2015
 CN 204642710 U 9/2015
 CN 204822652 U 12/2015
 DE 10361741 A1 7/2005
 DE 102007018772 A1 11/2007
 DE 202009007505 U1 10/2009
 EM 000072186-000 9/2003
 EM 000072186-0003 9/2003
 EM 000072186-0004 9/2003
 EM 000072186-0005 9/2003
 EM 000072186-0006 9/2003
 EM 000292917-0008 2/2005
 EM 000419551-0001 10/2005
 EM 000588603-0001 9/2006
 EM 000588603-0002 9/2006

EM 001040109-0002 11/2008
 EM 001040109-0003 11/2008
 EM 001040109-0004 11/2008
 EM 001040109-0008 11/2008
 EM 001040109-0009 11/2008
 EM 001574104-0006 7/2009
 EM 001222806-0001 6/2010
 EM 001222806-0002 6/2010
 EM 001222806-0003 6/2010
 EM 001222806-0005 6/2010
 EM 001818154-0001 2/2011
 EM 001380422-0001 8/2013
 EM 002455501-0001 4/2014
 EM 002455501-0002 4/2014
 EM 002455501-0003 4/2014
 EM 001438360-0002 6/2015
 EM 002966812-0005 2/2016
 FR 011542-002 7/2001
 FR 2871143 A1 12/2005
 IT 1321004 B1 12/2003
 RU 59530 2/2006
 WO WO 1994/0002381 A1 2/1994
 WO WO 1999/0043573 A1 9/1999
 WO WO 2005/0105588 A1 11/2005
 WO WO 2006/0089771 A1 8/2006
 WO WO DM072080 7/2009
 WO WO 2009/0114654 A2 9/2009
 WO WO 2010/0014396 A1 2/2010
 WO WO 2012/0057961 A2 5/2012
 WO WO 2012/0058367 A2 5/2012
 WO WO 2012/0058413 A2 5/2012
 WO WO DM079851 6/2012
 WO WO 2015/0065943 A1 5/2015
 WO WO 2015/0088744 A1 6/2015
 WO WO 2016/0016868 A1 2/2016

OTHER PUBLICATIONS

CN Application No. 201630536072.8, Notice of Issuance dated Jan. 9, 2017, 2 pages.
 CN Application No. 201630537413.3, Notice of Issuance dated Feb. 23, 2017, 3 pages.
 CN Application No. 201630537413.3, Office Action dated Dec. 7, 2016, 1 page.
 RU Application No. 1650265/21, Decision of Grant dated Jul. 19, 2017.
 RU Application No. 1650265/21, Office Action dated Dec. 27, 2016. Application and File history for U.S. Appl. No. 29/642,369, filed Mar. 29, 2018. Inventors: McKenzie et al.
 Application and File history for U.S. Appl. No. 29/642,394 filed Mar. 29, 2018. Inventors: McKenzie et al.
 RU Application No. 1750020/21, Decision of Grant dated Oct. 19, 2017, 4 pages.
 RU Application No. 1750021/21, Decision of Grant dated Oct. 19, 2017, 3 pages.

* cited by examiner

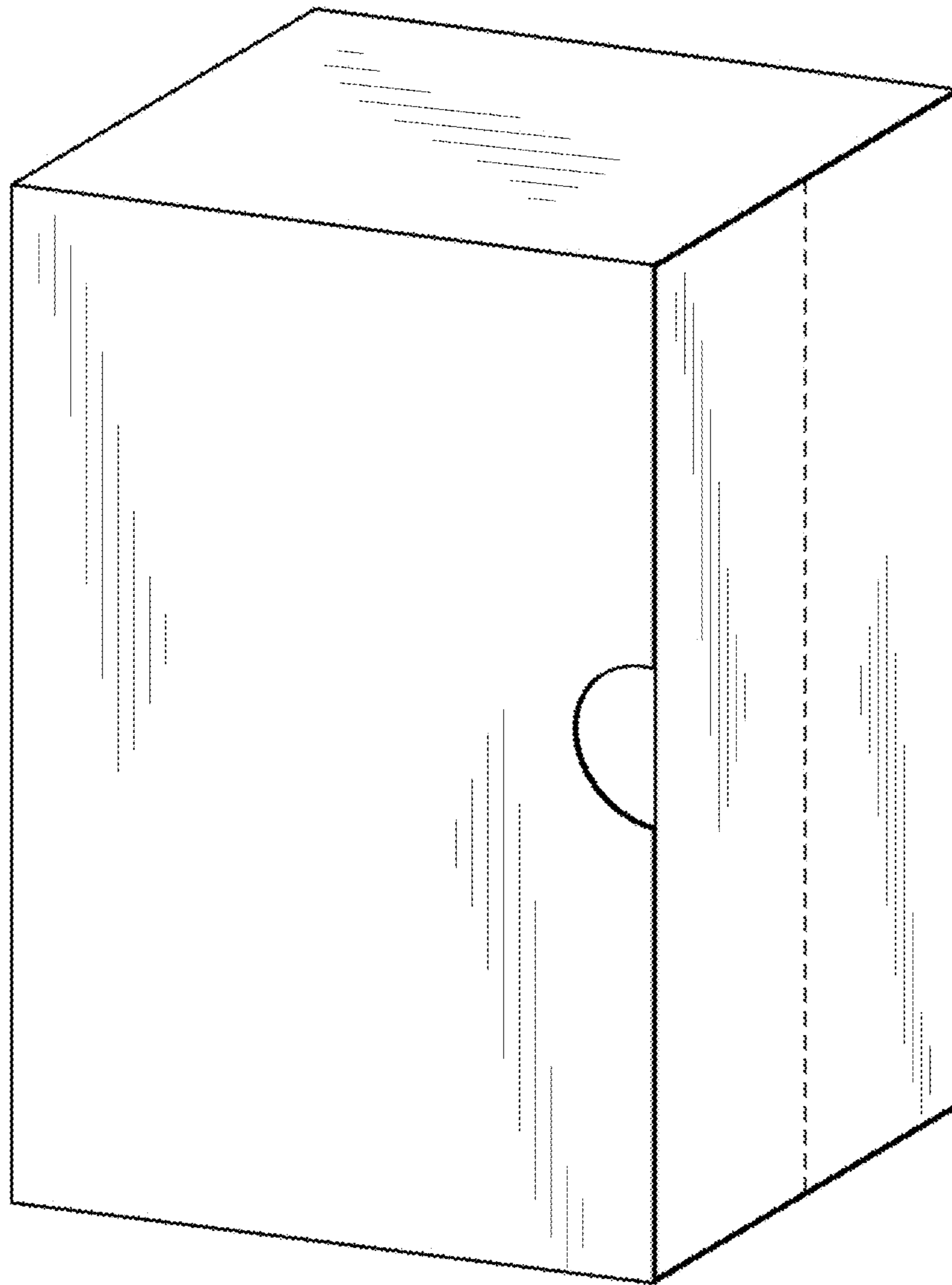


FIG. 1

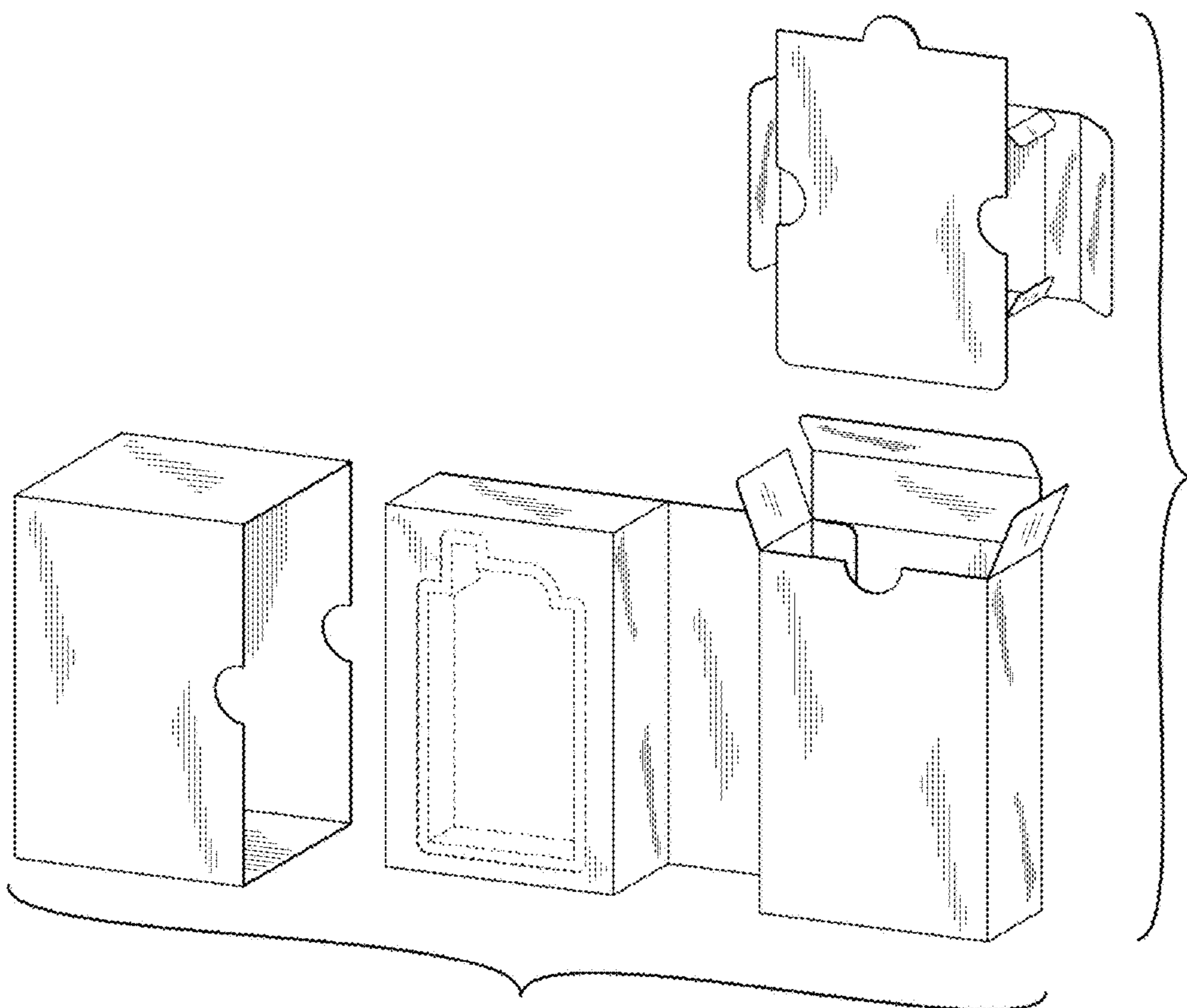


FIG. 2

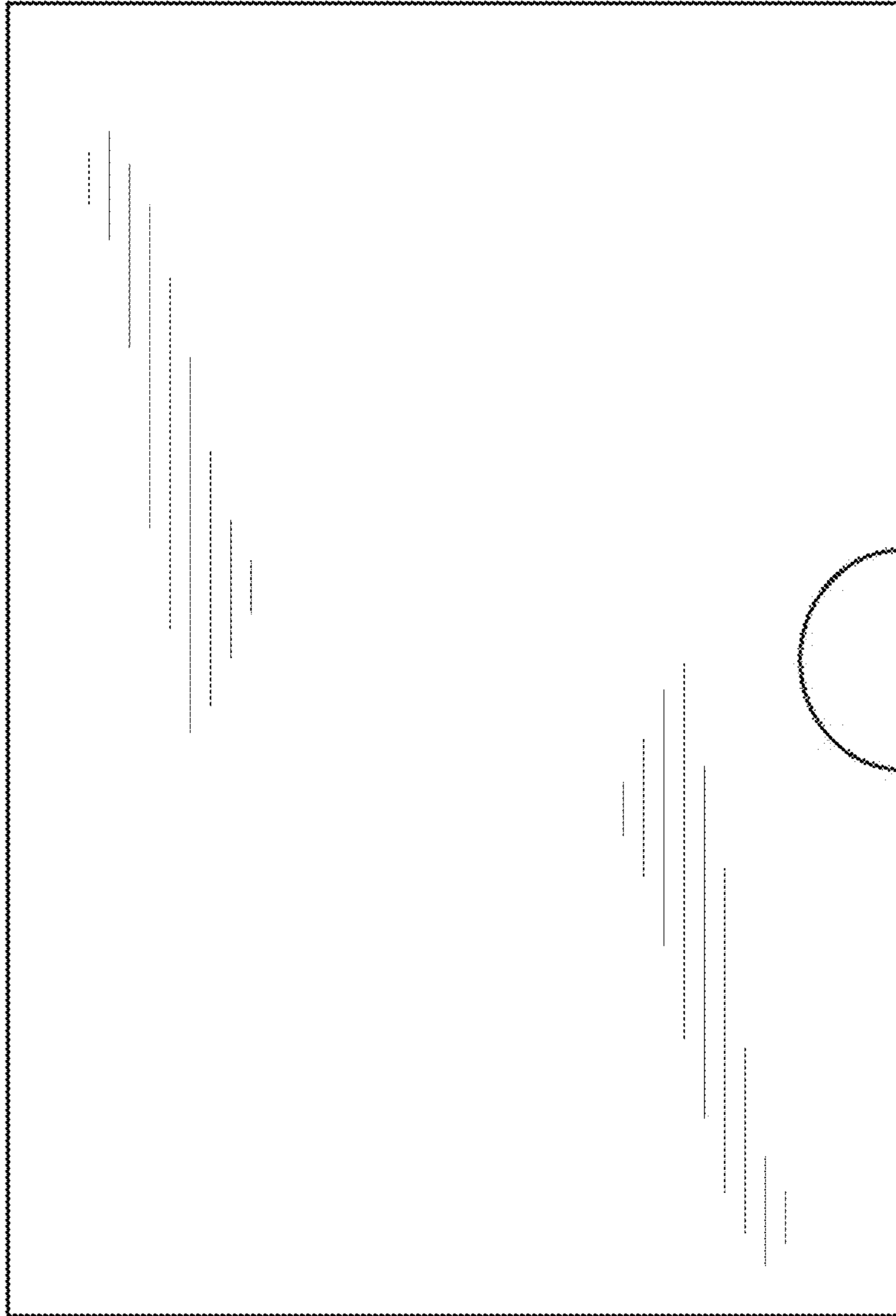


FIG. 3

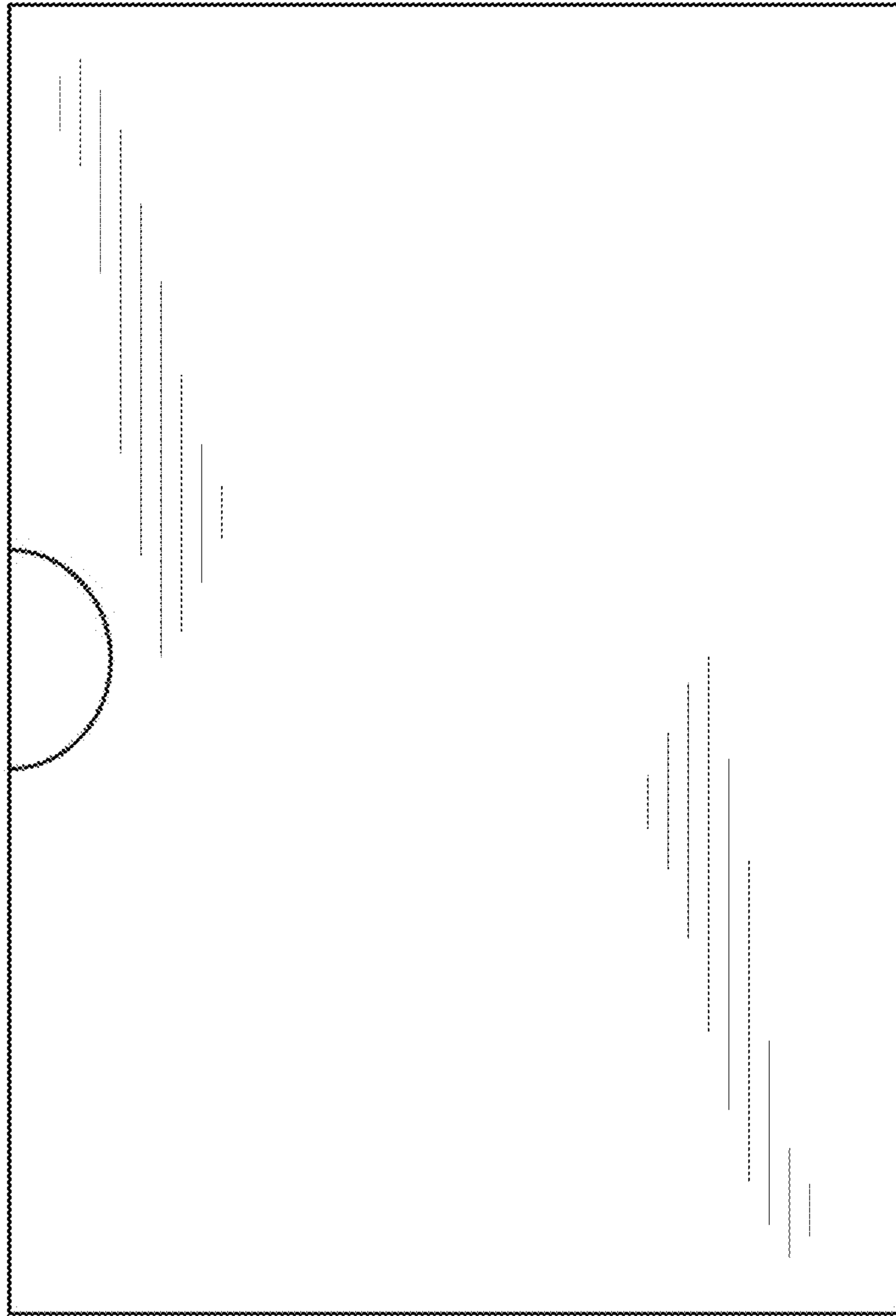


FIG. 4

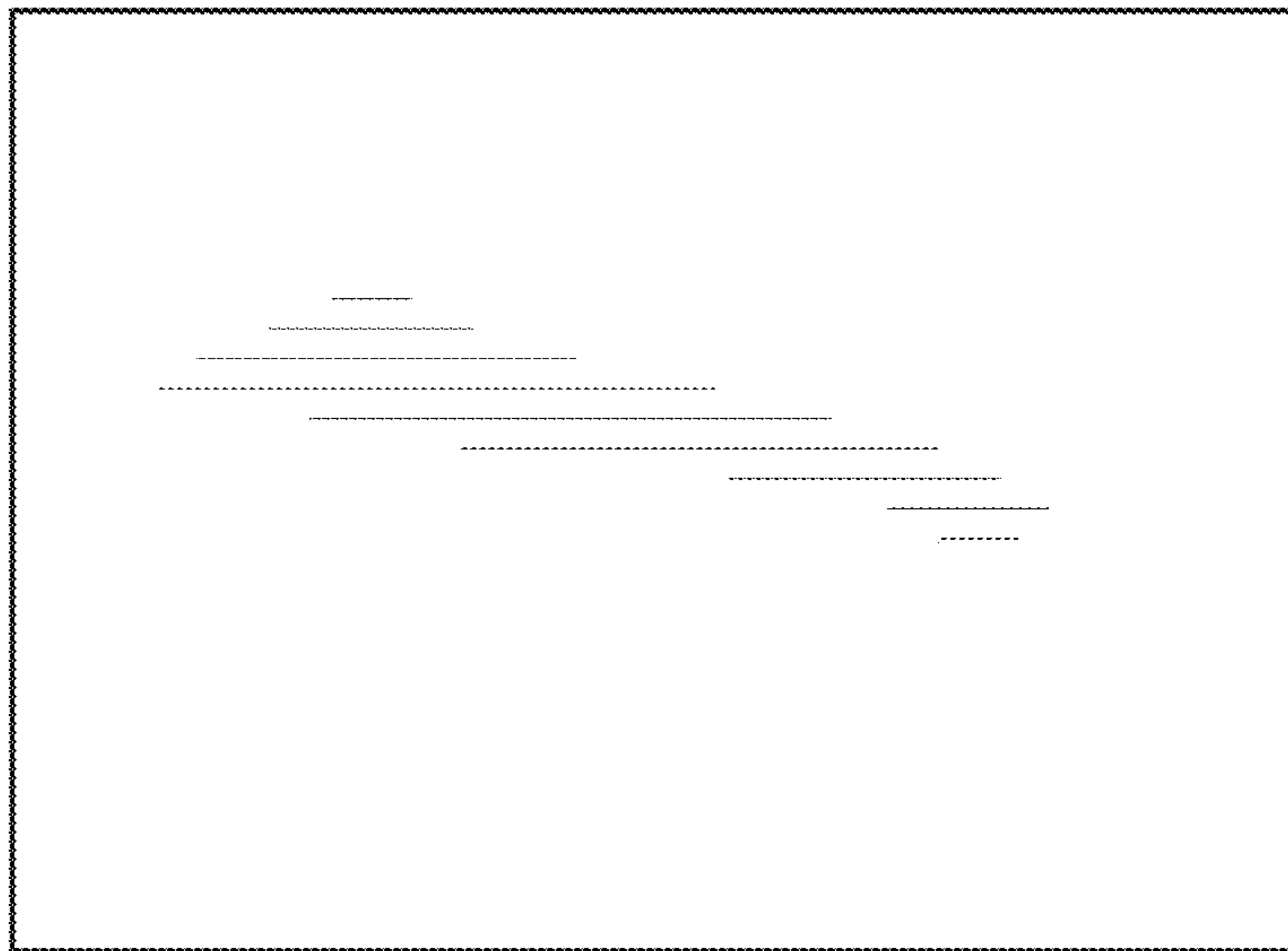


FIG. 5

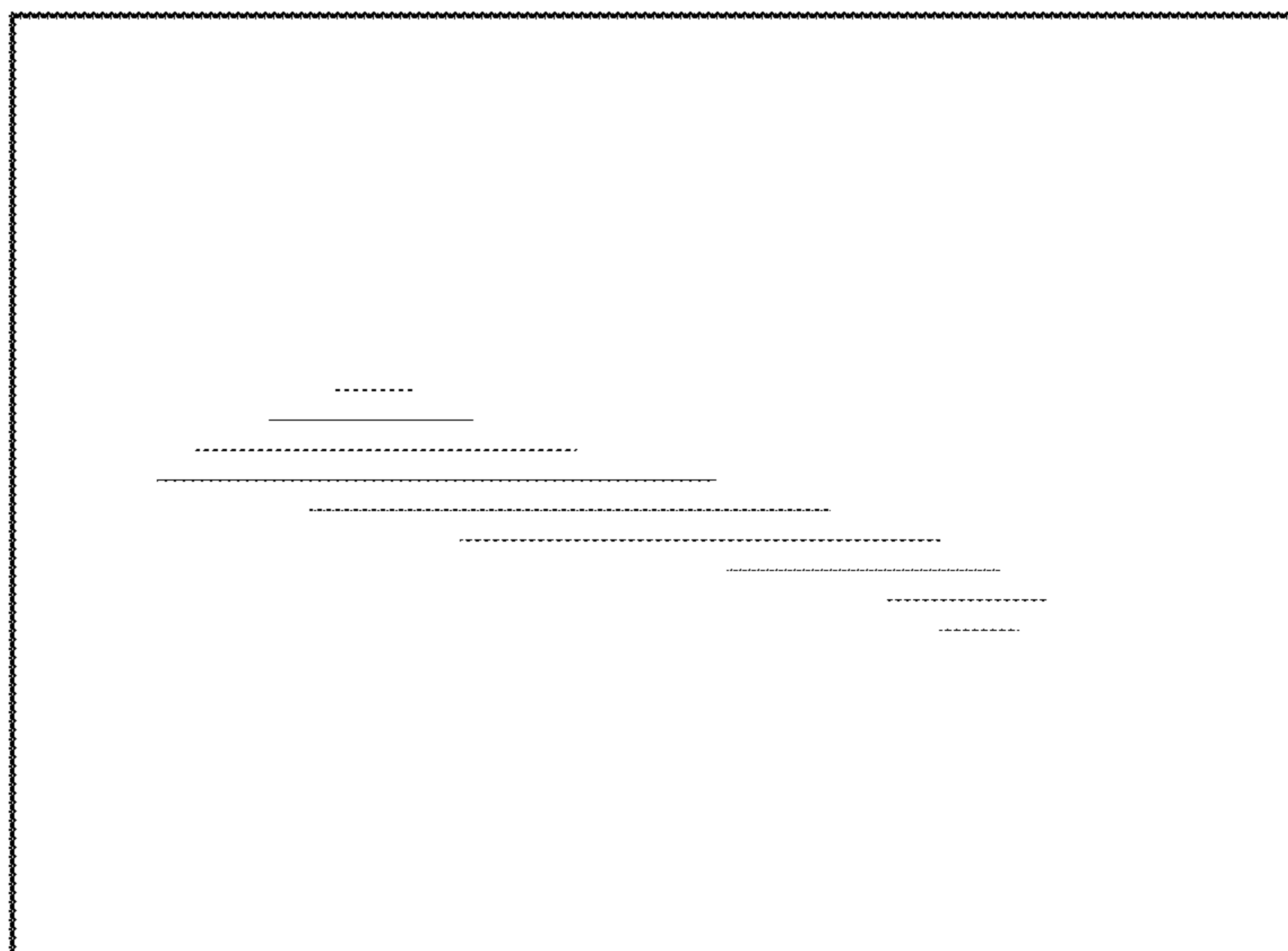


FIG. 6

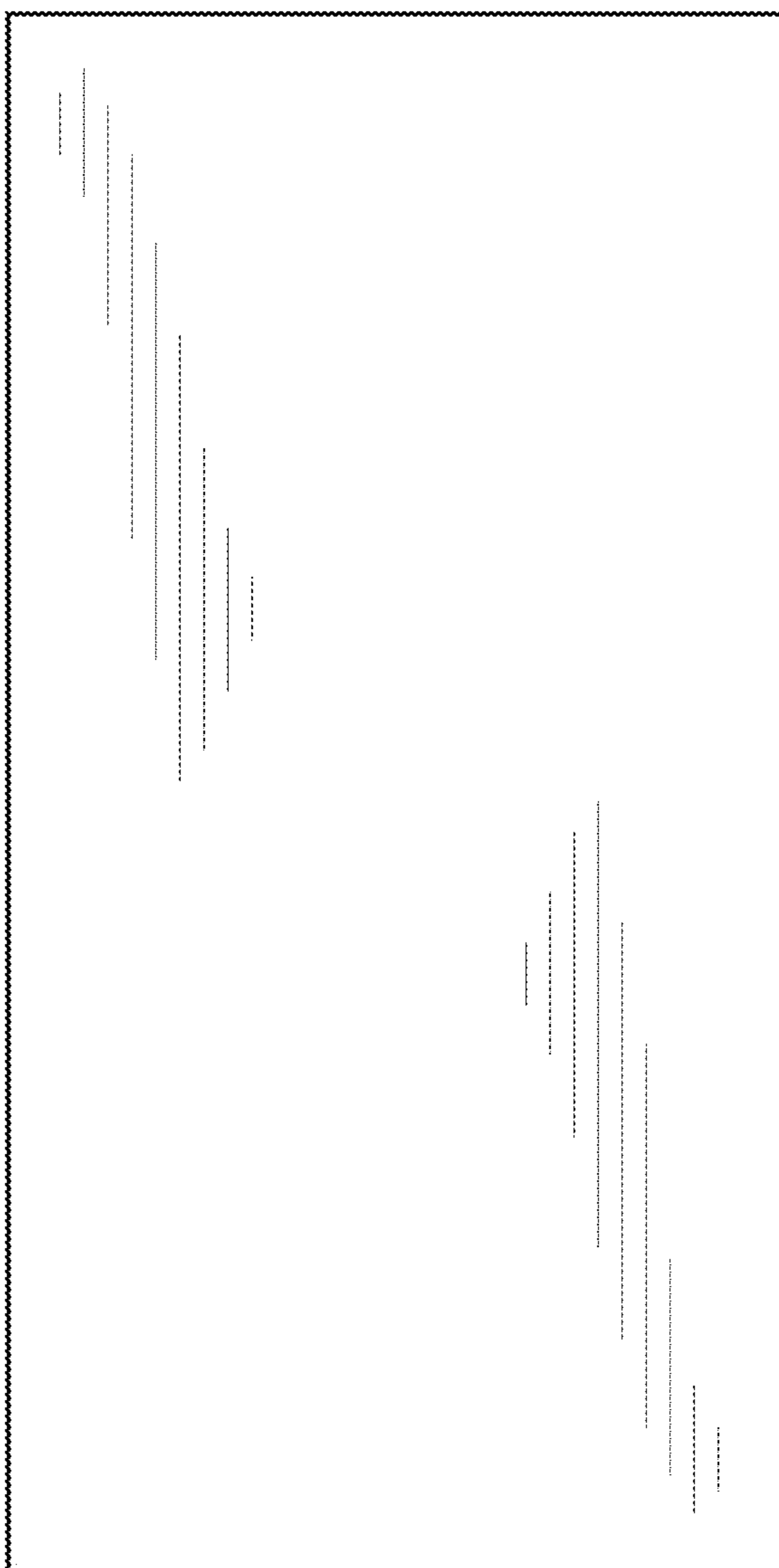


FIG. 7

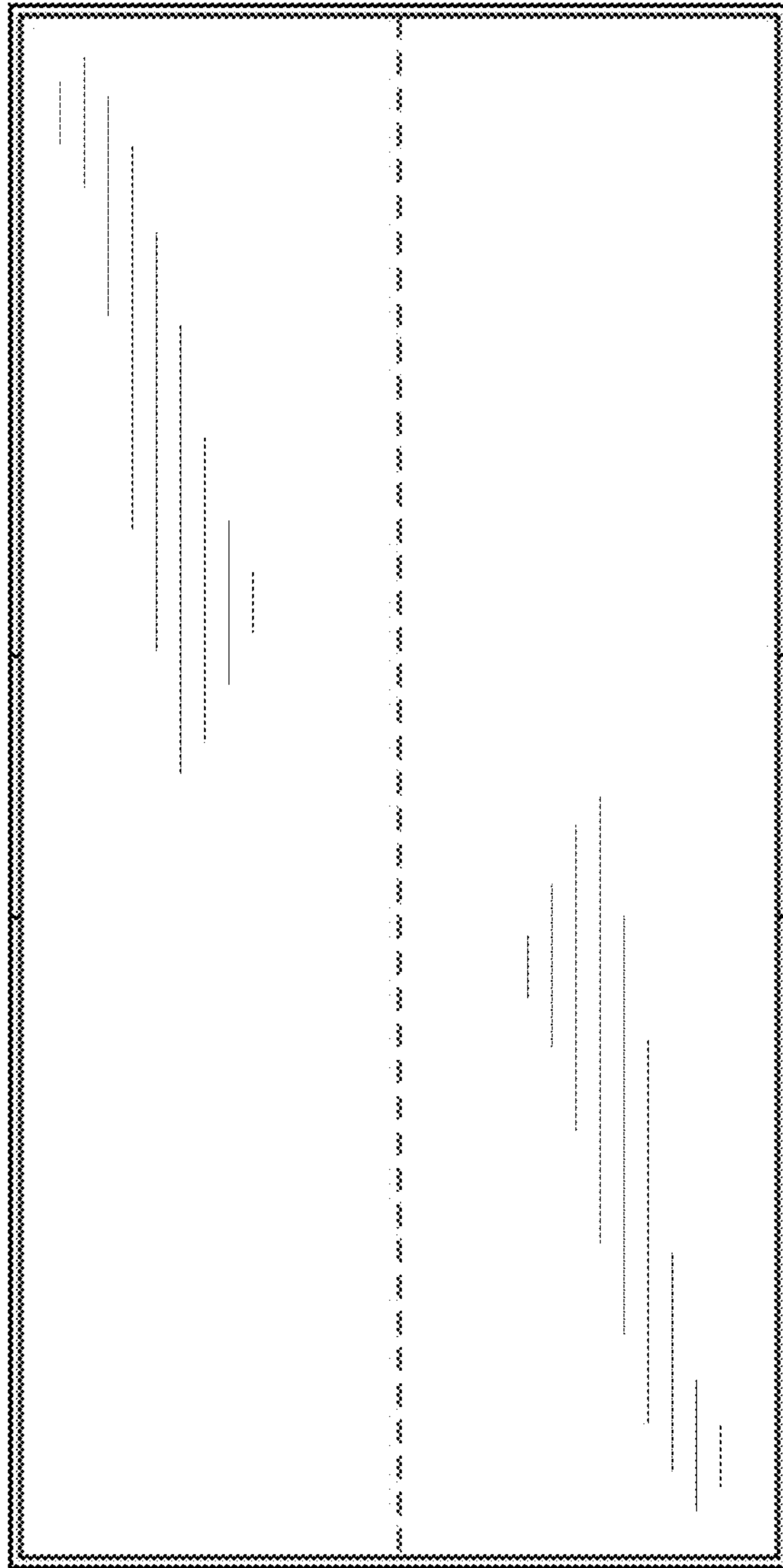


FIG. 8