

US00D834936S

(12) **United States Design Patent** (10) **Patent No.:** **US D834,936 S**
Sanfilippo et al. (45) **Date of Patent:** **** Dec. 4, 2018**

- (54) **PACKAGE**
- (71) Applicant: **PRIMAPAK, LLC**, Elgin, IL (US)
- (72) Inventors: **James J. Sanfilippo**, Barrington Hills, IL (US); **Milorad Radenovic**, Chicago, IL (US)
- (73) Assignee: **PRIMAPAK, LLC**, Elgin, IL (US)
- (**) Term: **14 Years**
- (21) Appl. No.: **29/522,244**
- (22) Filed: **Mar. 27, 2015**
- (51) **LOC (11) Cl.** **09-03**
- (52) **U.S. Cl.**
USPC **D9/432; D9/416**
- (58) **Field of Classification Search**
USPC D9/414-433, 770, 777, 782, 783;
D11/143, 155, 145
CPC B65D 2583/08
See application file for complete search history.

- D394,901 S * 6/1998 Governale D23/351
 - D395,235 S * 6/1998 Andersson D9/432
 - D419,443 S * 1/2000 Yonehara D9/432
- (Continued)

OTHER PUBLICATIONS

“PrimaPak.” Found online Dec. 6, 2016 at www.greenerpackage.com. Page dated Dec. 4, 2012. Retrieved from <URL:https://web.archive.org/web/20121208040309/http://www.greenerpackage.com/flexible_packaging/primapak_offers_lightweight_stackable_replacement_rigid_packaging>.*

(Continued)

Primary Examiner — Garth Rademaker
Assistant Examiner — Katelin G Kloberg
(74) *Attorney, Agent, or Firm* — Marshall, Gerstein & Borun LLP

(57) **CLAIM**

The ornamental design for a package, as shown and described.

(56) **References Cited**

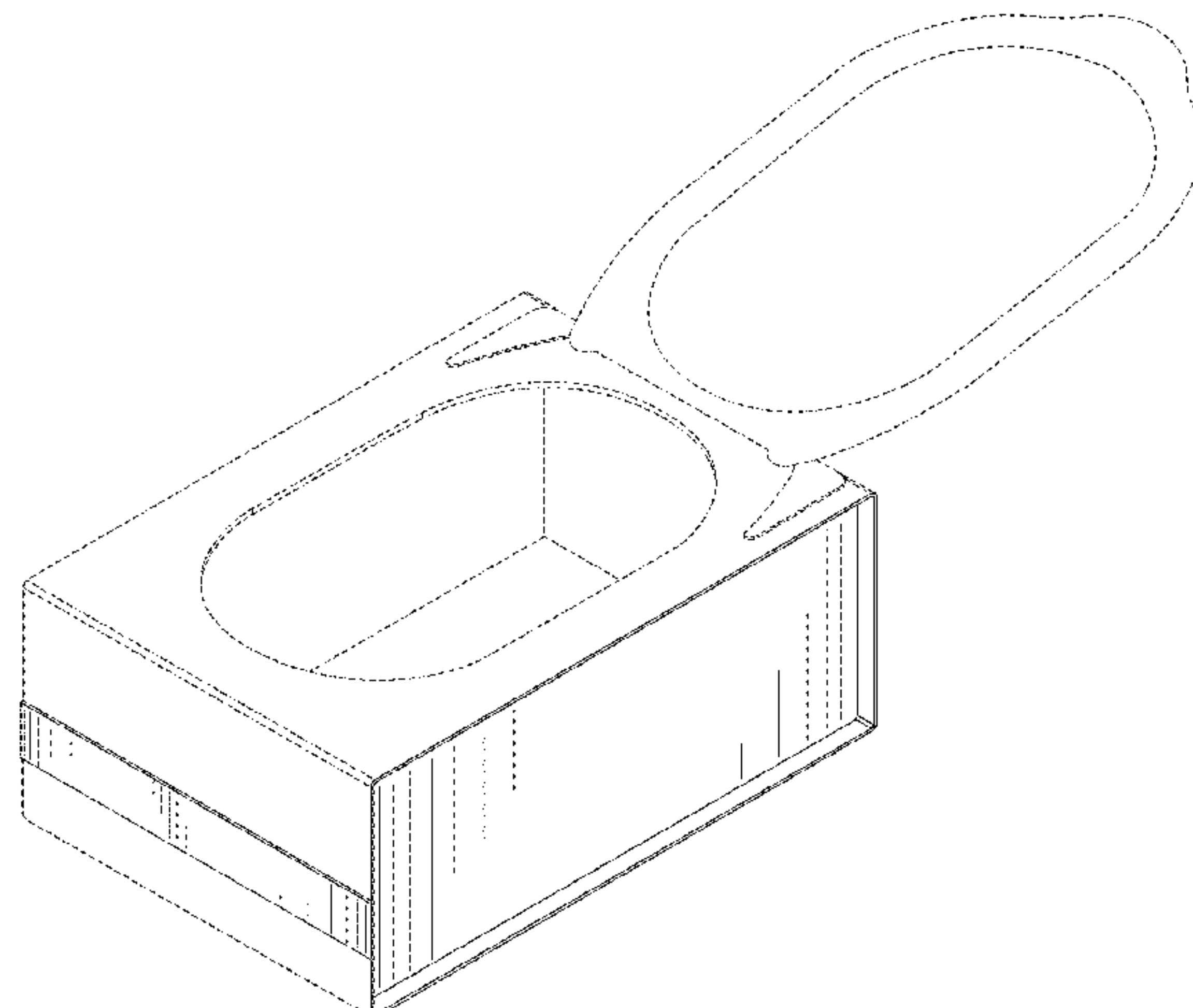
U.S. PATENT DOCUMENTS

- D135,294 S * 3/1943 Ost D9/432
- 2,339,156 A 1/1944 Duane
- 2,819,831 A 1/1958 Polarek et al.
- 3,357,631 A * 12/1967 Aid B65D 5/323
229/122.26
- 3,785,254 A * 1/1974 Mann B65D 5/563
427/233
- 3,917,158 A 11/1975 Dorofachuk et al.
- 4,512,476 A 4/1985 Herrington, Jr.
- 4,687,104 A 8/1987 Ielmini
- 4,738,365 A 4/1988 Prater
- 4,746,019 A 5/1988 Prater
- D297,214 S 8/1988 Forbes, Jr.
- D319,785 S * 9/1991 Kilmartin, III D9/423
- D336,708 S * 6/1993 Boughey D34/21
- 5,280,908 A * 1/1994 Lu A45C 15/00
206/216
- 5,556,026 A 9/1996 Blankitny
- 5,577,612 A 11/1996 Chesson et al.

DESCRIPTION

FIG. 1 is a front, right-side, and top view of a package showing the new design.
FIG. 2 is a front elevation view of the package.
FIG. 3 is a right-side elevation view of the package.
FIG. 4 is a left-side elevation view of the package.
FIG. 5 is a top plan view of the package.
FIG. 6 is a back elevation view of the package.
FIG. 7 is a bottom plan view of the package.
FIG. 8 is a front, left-side, and bottom view of the package; and,
FIG. 9 is a front, right-side, and bottom view of the package.
The broken lines represent portions of the package that form no part of the claimed design.

1 Claim, 7 Drawing Sheets



(56)

References Cited

U.S. PATENT DOCUMENTS

6,082,614 A * 7/2000 Schmidt B65D 5/706
 220/269
 D545,186 S 6/2007 Liebe et al.
 D569,719 S 5/2008 Ross
 D588,396 S * 3/2009 Millsap D7/354
 D610,904 S * 3/2010 Russell D9/432
 D617,637 S * 6/2010 Anderson D9/432
 D626,831 S * 11/2010 Nicholas D9/432
 D629,296 S 12/2010 De Muynck
 D636,665 S * 4/2011 Mittelstaedt D9/432
 D684,467 S * 6/2013 Macaulay D9/432
 D696,107 S 12/2013 Kimple et al.
 D715,643 S 10/2014 Sanfilippo et al.
 D718,124 S * 11/2014 Thompson D9/432
 D725,467 S 3/2015 Sanfilippo et al.
 D726,535 S 4/2015 Sanfilippo et al.
 D750,477 S * 3/2016 Sanfilippo D9/416
 D753,996 S * 4/2016 Sanfilippo D9/432
 D764,271 S * 8/2016 Sanfilippo D9/416
 D764,903 S * 8/2016 Sanfilippo D9/416
 D778,719 S * 2/2017 Sanfilippo D9/432
 D778,721 S * 2/2017 Sanfilippo D9/416
 2001/0040107 A1 11/2001 Toure et al.
 2003/0230504 A1 12/2003 Hamming

2004/0099570 A1 5/2004 Cargile
 2004/0163180 A1 * 8/2004 Bryant A47C 27/15
 5/690
 2005/0109827 A1 5/2005 Martin
 2005/0190490 A1 * 9/2005 Naruse G11B 33/121
 360/99.21
 2006/0048773 A1 * 3/2006 Burfoot F24F 3/1607
 128/200.24
 2009/0152290 A1 6/2009 Wang et al.

OTHER PUBLICATIONS

“Flexible Package.” Found online Dec. 6, 2016 at www.ptonline.com. Page dated Dec. 2012. Retrieved from <URL:<http://www.ptonline.com/articles/flexible-package-takes-aim-at-rigid-containers>>.*
 “ABS Recessed Ready to tile Bathroom Plastic Shower Insert.” Found online Dec. 6, 2012 at www.alibaba.com. Page dated Feb. 13, 2015. Retrieved from <URL:https://www.alibaba.com/product-detail/ABS-Recessed-Ready-to-tile-Bathroom_60145670607.html>.*
 “Upcycled Shaker-Panel Cabinet Doors.” Found online Dec. 6, 2012 at do-it-yourselfdesign.blogspot.com. Page dated Jan. 8, 2013. Retrieved from <URL:<http://do-it-yourselfdesign.blogspot.com/2013/01/upcycled-shaker-panel-cabinet-doors.html>>.*

* cited by examiner

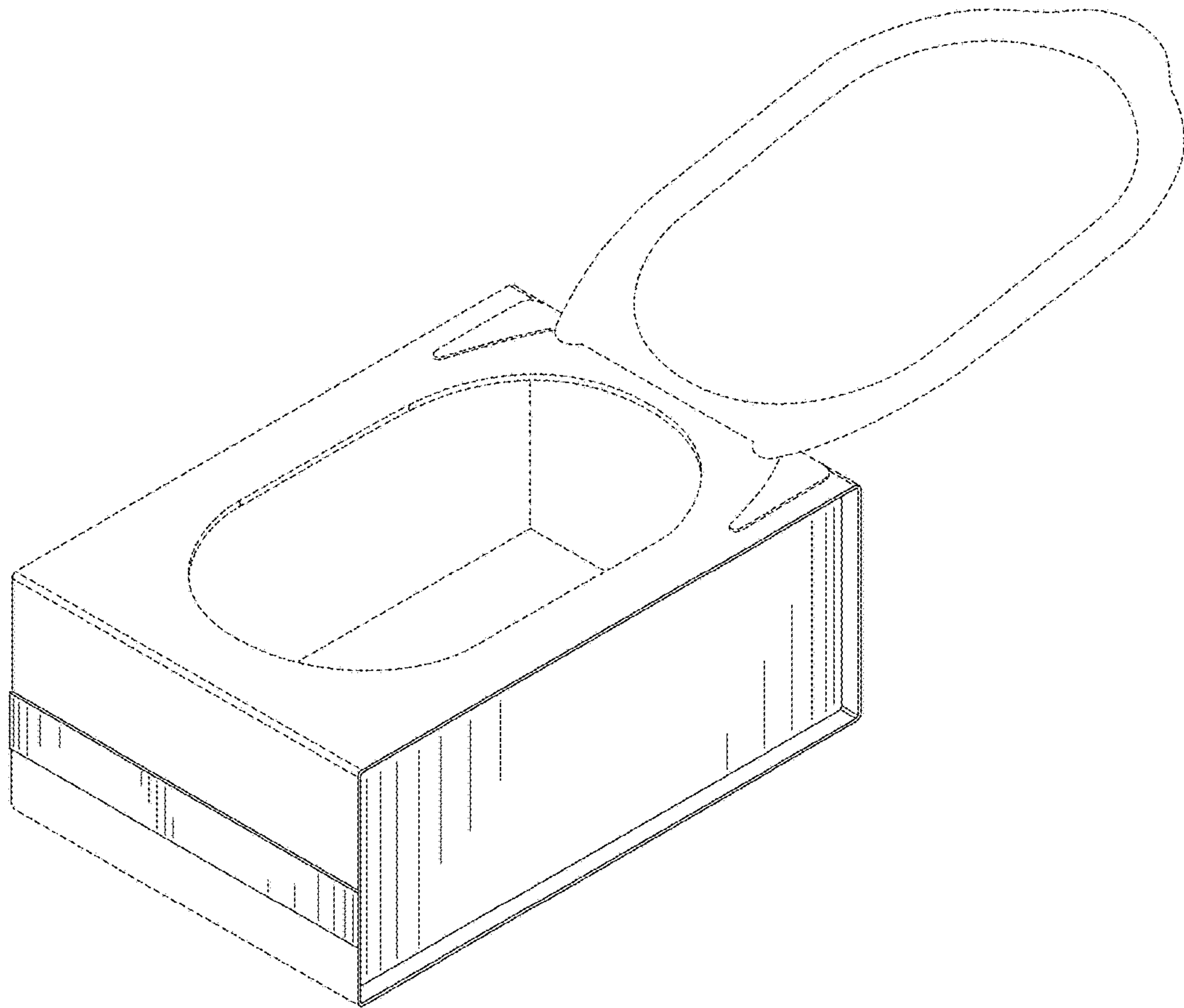


Fig. 1

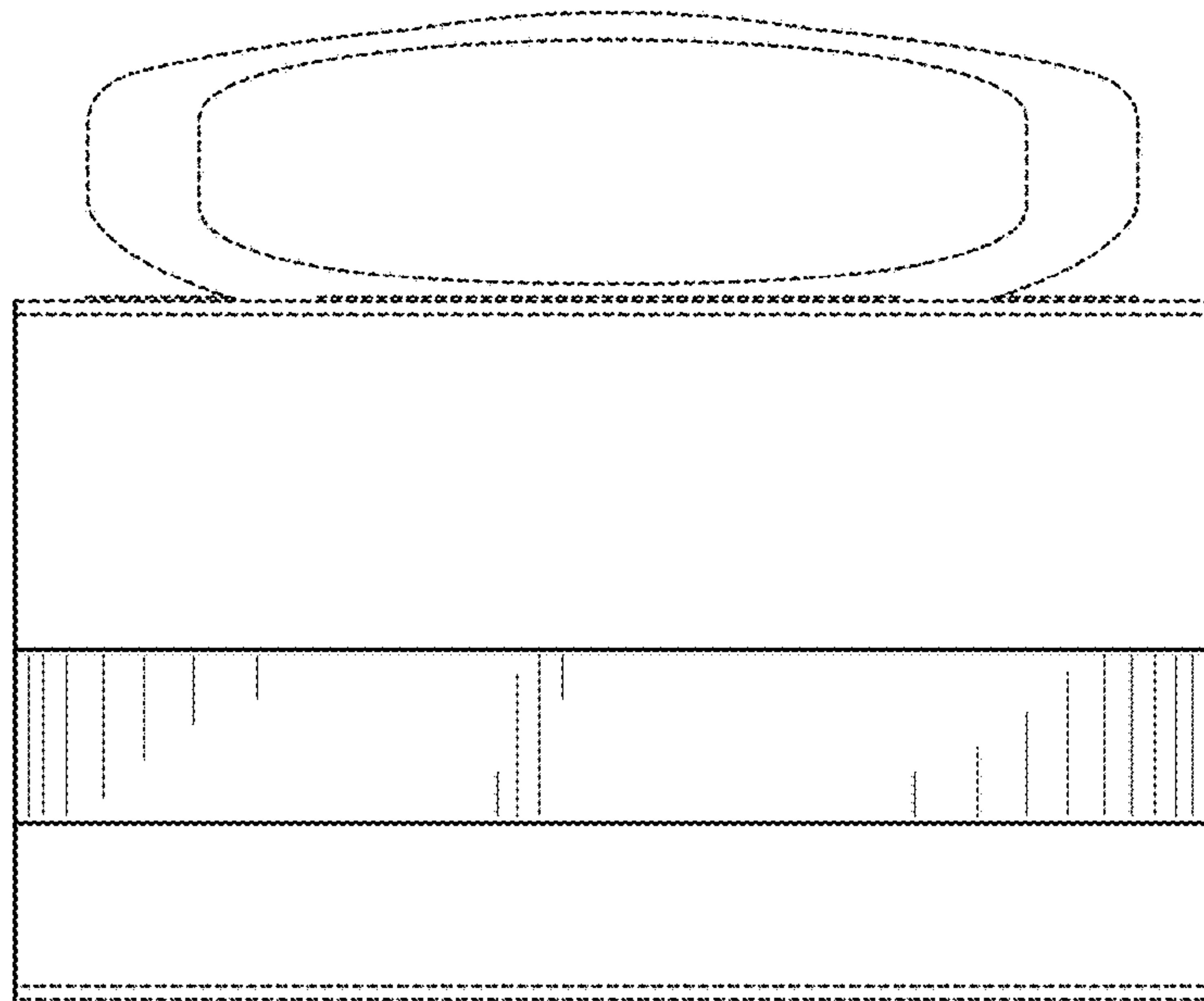


Fig. 2

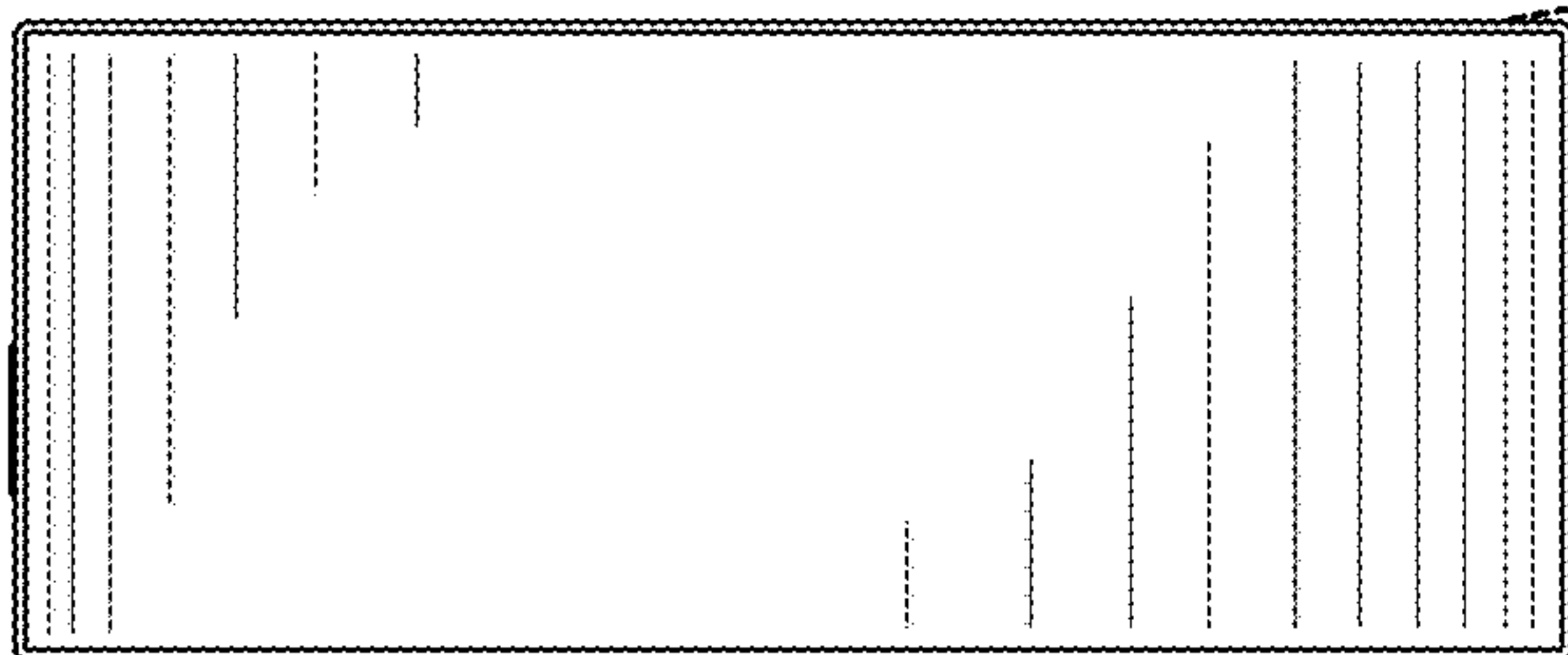


Fig. 3

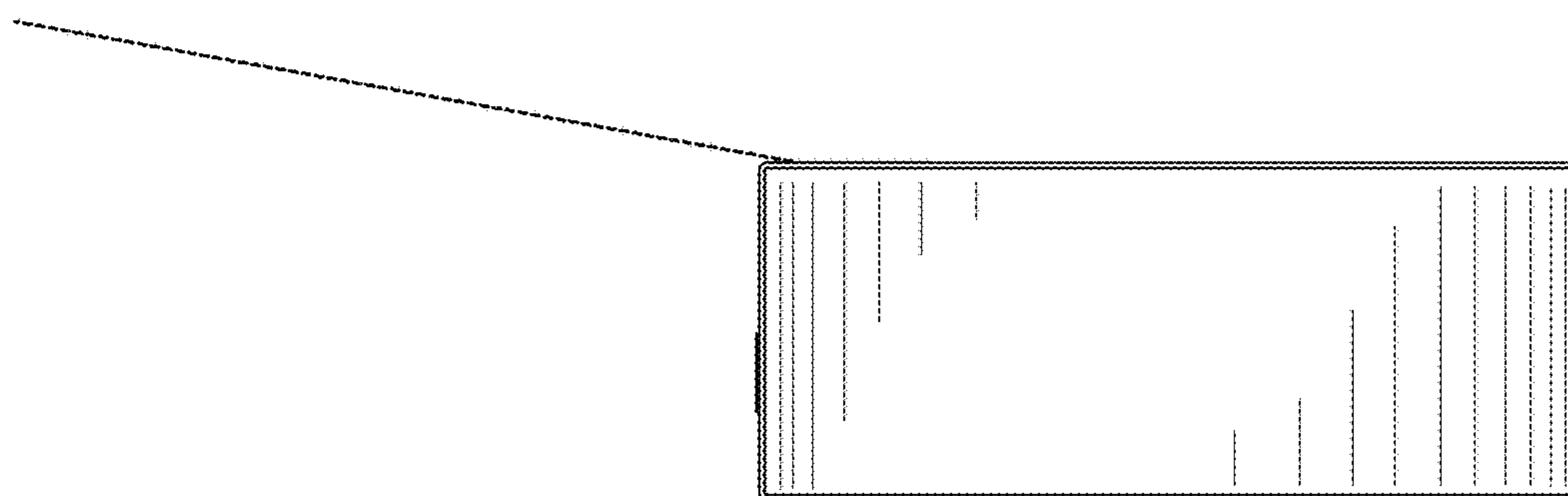


Fig. 4

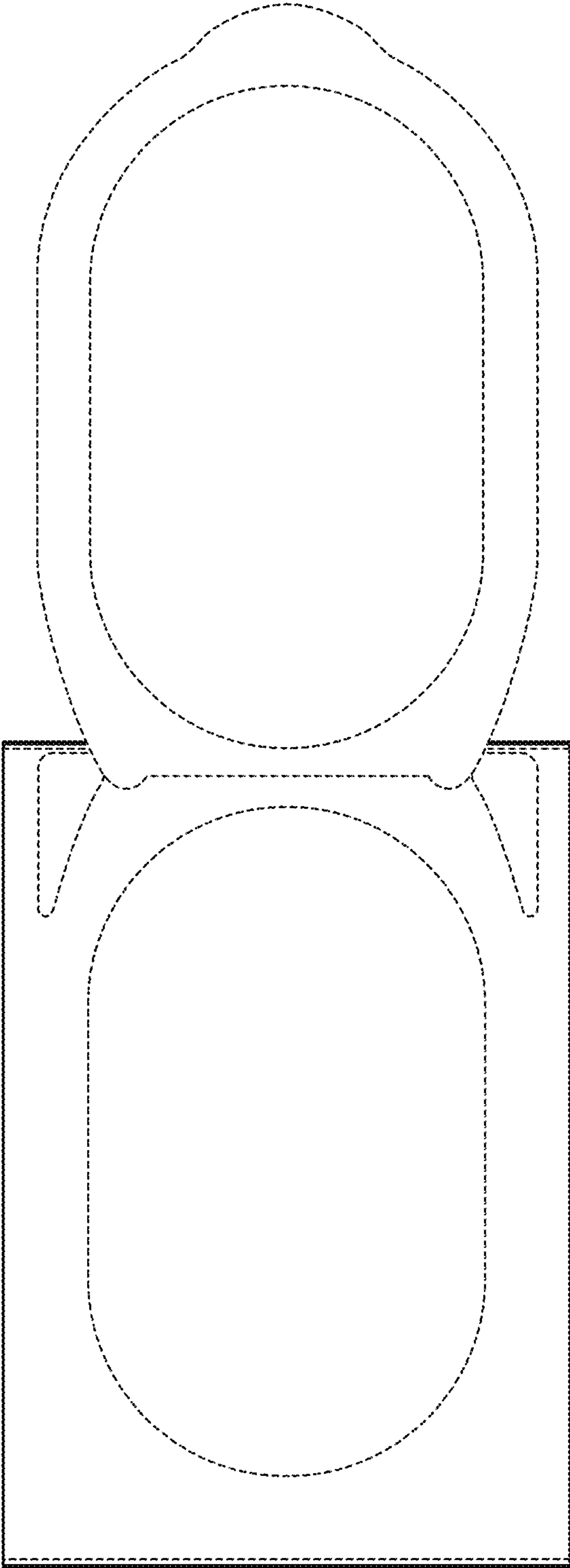


Fig. 5

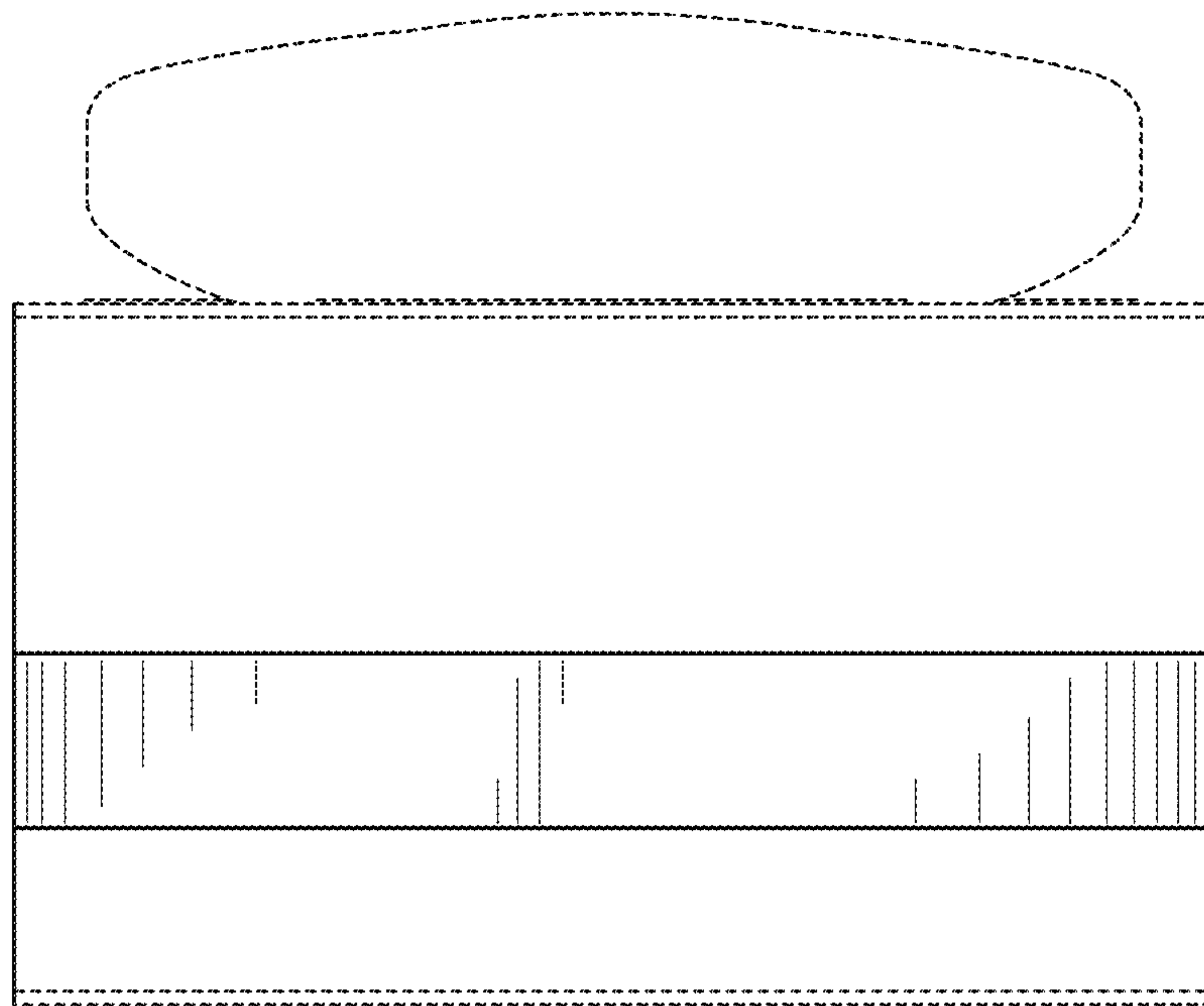


Fig. 6

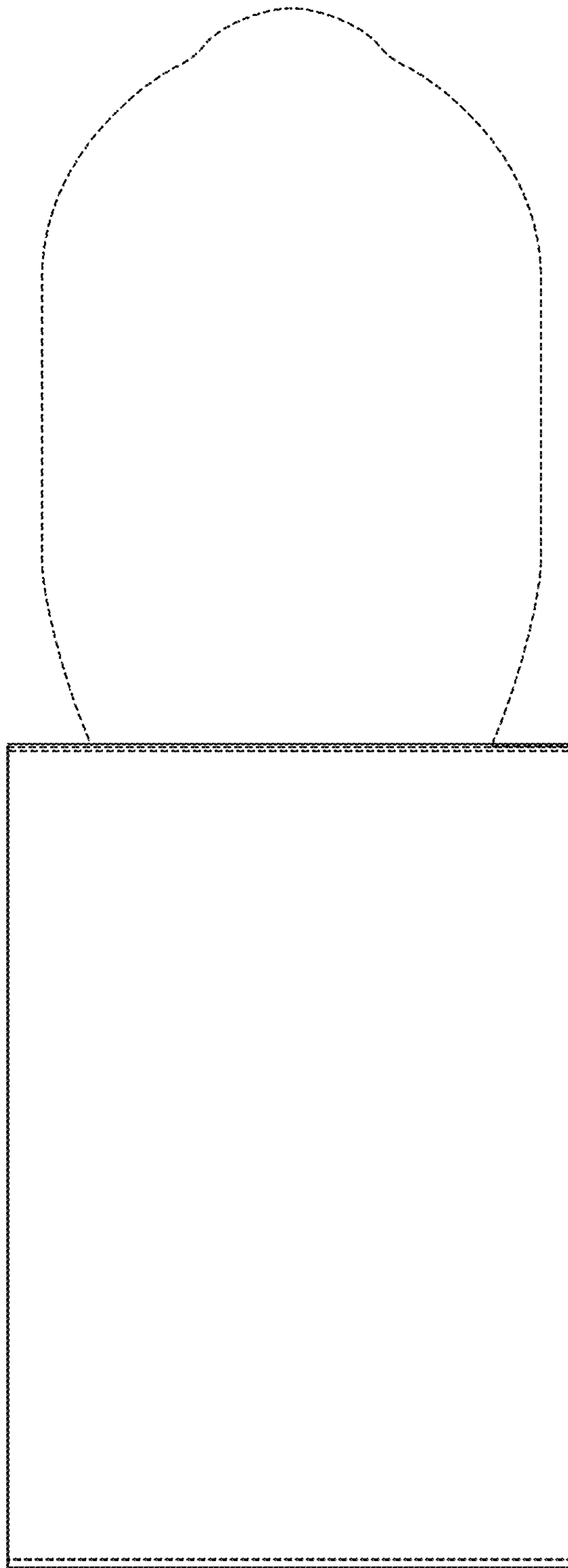


Fig. 7

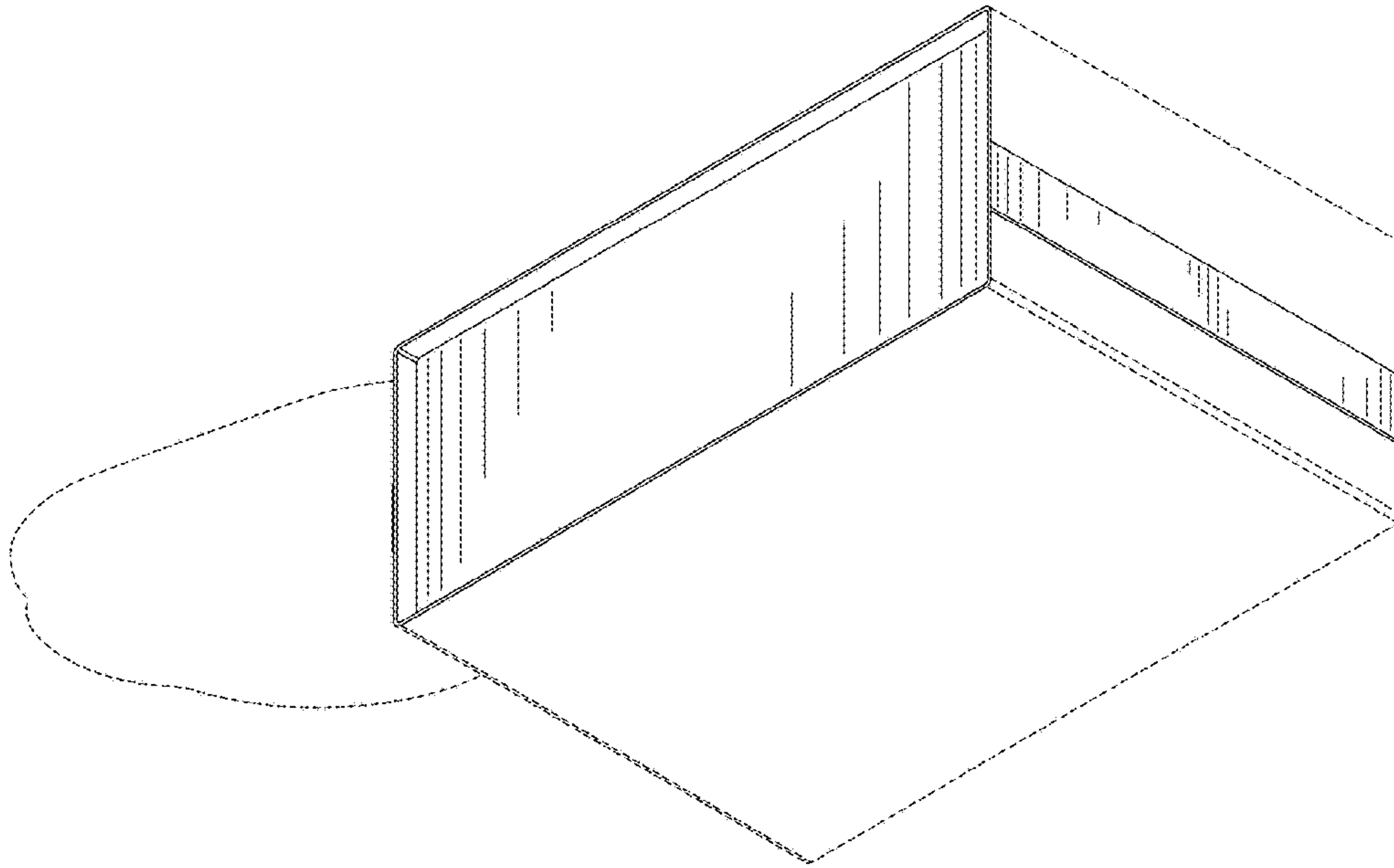


Fig. 8

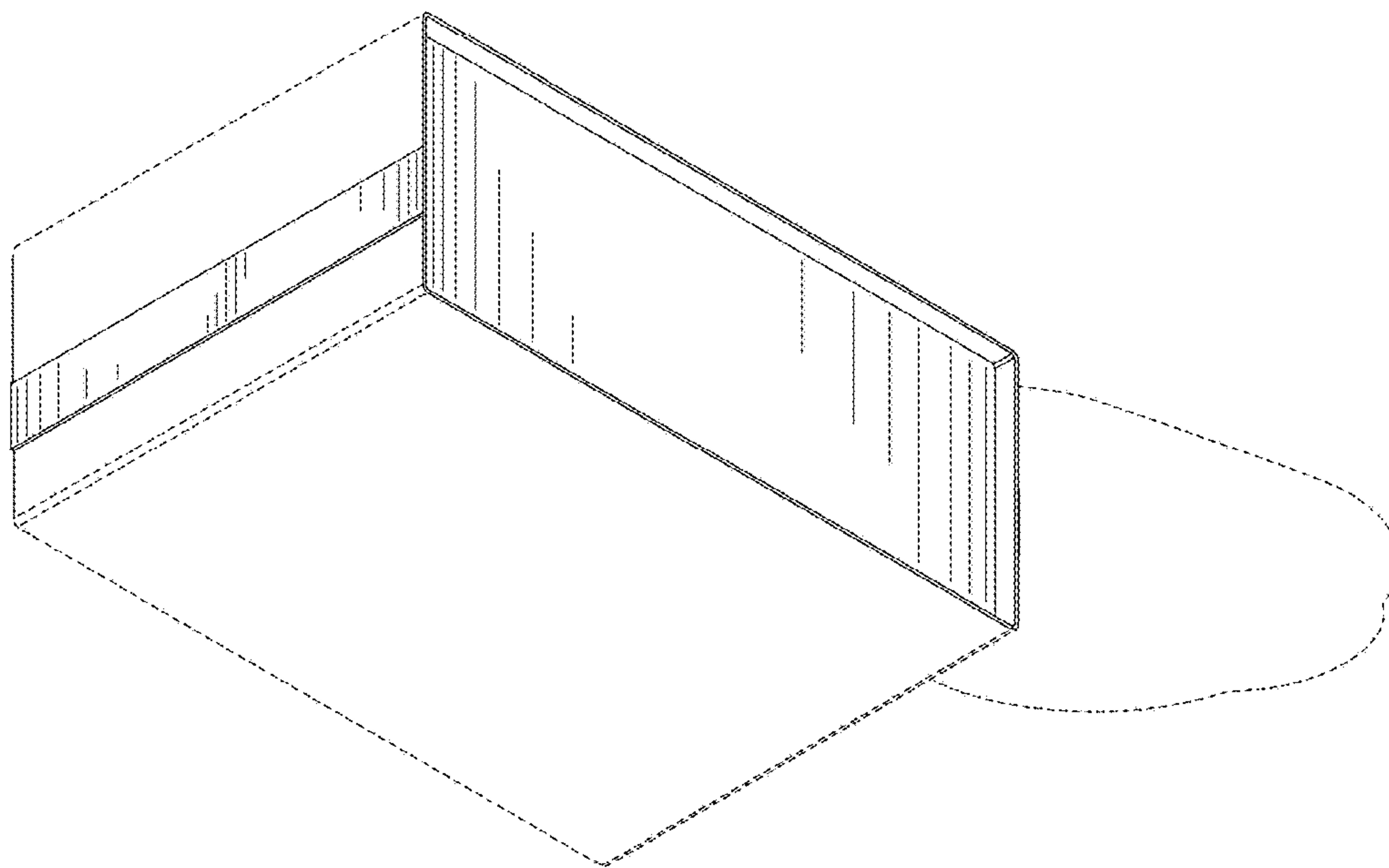


Fig. 9