



US00D834934S

(12) **United States Design Patent** (10) **Patent No.:** **US D834,934 S**
Hiep (45) **Date of Patent:** **** Dec. 4, 2018**

(54) **STORAGE DEVICE BLISTER TRAY**

(71) Applicant: **SanDisk Technologies LLC**, Plano, TX (US)

(72) Inventor: **Solivan Hiep**, San Jose, CA (US)

(73) Assignee: **SANDISK TECHNOLOGIES LLC**, Plano, TX (US)

(**) Term: **15 Years**

(21) Appl. No.: **29/614,742**

(22) Filed: **Aug. 22, 2017**

Related U.S. Application Data

(62) Division of application No. 29/564,230, filed on May 11, 2016, now Pat. No. Des. 796,315.

(51) **LOC (11) Cl.** **09-03**

(52) **U.S. Cl.**
USPC **D9/415**

(58) **Field of Classification Search**
USPC D9/415, 418, 432, 456, 652, 732, 737, D9/742, 749, 755, 759, 760; D7/602; D3/901; 206/363, 467, 469, 570
CPC ... B65D 1/00; B65D 1/24; B65D 1/34; B65D 1/44; B65D 5/00; B65D 81/00; B65D 81/3813; B29L 2031/712; B29L 2031/723; B29L 2031/7146; B29L 2031/7162; B29L 2031/7164; A61J 1/05
See application file for complete search history.

(56) **References Cited**

U.S. PATENT DOCUMENTS

D292,776 S 11/1987 Cugley
D296,988 S 8/1988 Yamada
D325,526 S 4/1992 Deguchi
D327,425 S 6/1992 Hamada
D387,977 S * 12/1997 Kallgren D9/732

D420,905 S 2/2000 Adkins
6,024,222 A 2/2000 Friberg et al.
D421,900 S * 3/2000 Eneroth D9/732
D423,928 S 5/2000 Kumakura et al.
D438,104 S 2/2001 Hacker et al.
D456,249 S * 4/2002 Pearson D9/415
6,578,711 B1 6/2003 Chou
D479,126 S 9/2003 Kumakura et al.
D544,788 S 6/2007 Brittain
D548,618 S * 8/2007 Ferguson D9/715
(Continued)

OTHER PUBLICATIONS

“Q-tips Cotton Swabs, 750 count” <http://www.walmart.com/ip/Q-Tips-Cotton-Swabs-750-count/19399928>, dated May 9, 2016, one page.

(Continued)

Primary Examiner — Wan Laymon

Assistant Examiner — Clint A Samuel

(74) *Attorney, Agent, or Firm* — Knobbe, Martens, Olson & Bear, LLP

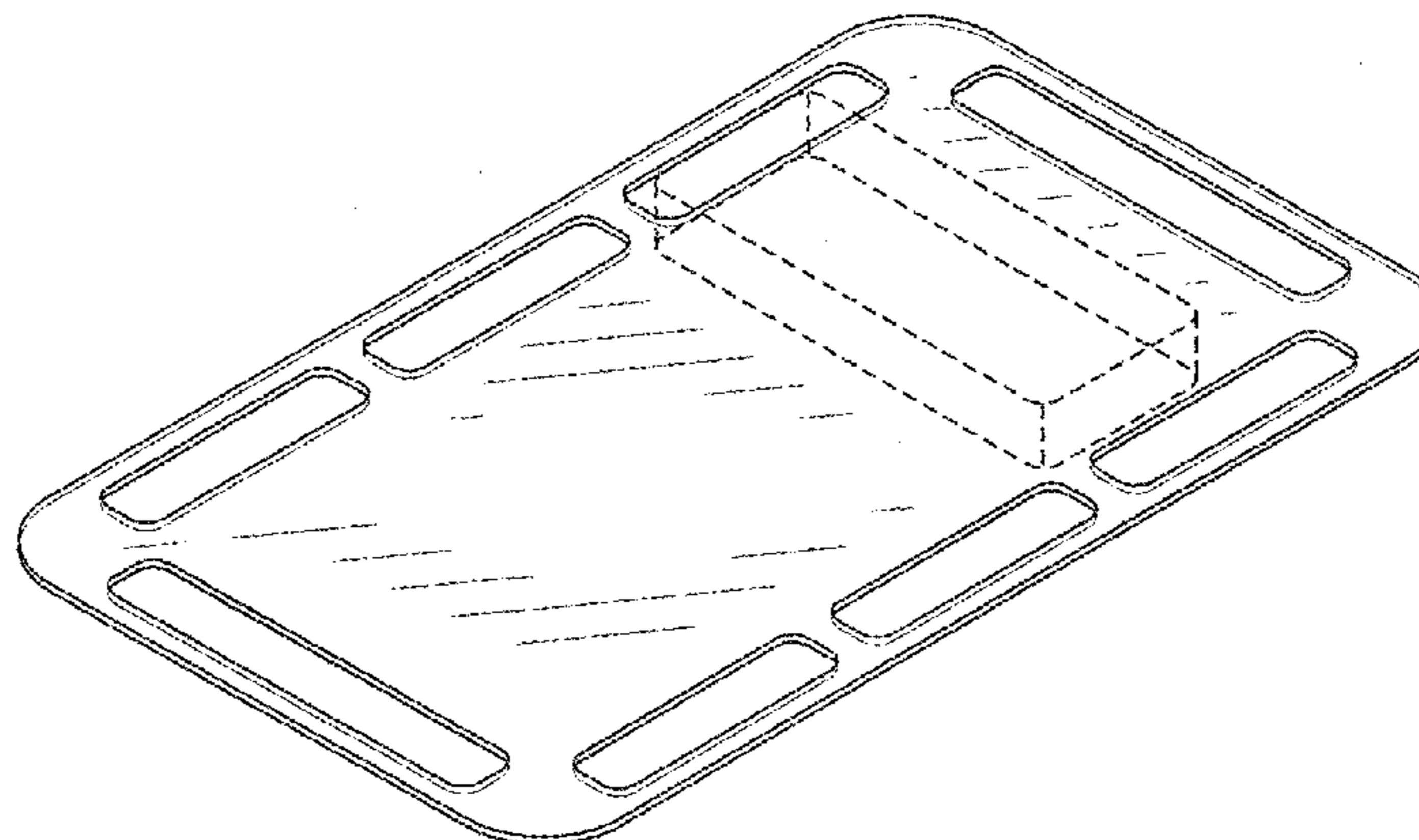
(57) **CLAIM**

The ornamental design for a storage device blister tray, substantially as shown and described.

DESCRIPTION

FIG. 1 is a front perspective view of a storage device tray, showing my new design;
FIG. 2 is a top plan view thereof; a bottom plan view thereof is an identical image;
FIG. 3 is a front elevation view thereof; a rear elevation view thereof is an identical image;
FIG. 4 is a left side elevation view thereof; and,
FIG. 5 is a right side elevation view thereof.
The broken line showing in the drawings is included for the purpose of illustrating unclaimed portions of the storage device blister tray and forms no part of the claimed design.

1 Claim, 2 Drawing Sheets



(56)

References Cited

OTHER PUBLICATIONS

U.S. PATENT DOCUMENTS

D548,619	S *	8/2007	Ferguson	D9/715
7,255,230	B1	8/2007	Appelbaum	
D592,947	S	5/2009	Neves et al.	
D641,233	S *	7/2011	Pugh	D9/415
D642,482	S *	8/2011	Stuiber	D9/732
8,091,704	B2	1/2012	Trigg	
D655,625	S *	3/2012	Mehren	D9/732
D681,479	S *	5/2013	Logue	D9/732
D686,090	S *	7/2013	Logue	D9/732
D693,695	S	11/2013	Limback	
D695,103	S *	12/2013	Kirk	D9/416
D703,545	S	4/2014	Limback	
D711,219	S *	8/2014	Palsson	D9/415
8,813,959	B2	8/2014	Hansen et al.	
D724,425	S *	3/2015	Atkinson	D9/415
D730,169	S *	5/2015	Atkinson	D9/415
D746,130	S *	12/2015	Johnson	D9/418
D781,695	S *	3/2017	Schouten	D9/415
D795,695	S *	8/2017	Snedden	D9/424
D814,929	S *	4/2018	Bergeron	D9/456
D816,501	S *	5/2018	Oldham	D9/456
2006/0027480	A1	2/2006	Buss	
2009/0230083	A1 *	9/2009	Metcalf	B65D 71/508 215/395

Application as filed for U.S. Appl. No. 29/564,228 entitled, "Storage Device Blister Tray", filed May 11, 2016, 5 pages.

Application as filed for U.S. Appl. No. 29/564,230 entitled, "Storage Device Blister Tray", filed May 11, 2016, 9 pages.

Application as filed for U.S. Appl. No. 29/564,232 entitled, "Storage Device Blister Tray", filed May 11, 2016, 9 pages.

Application as filed for U.S. Appl. No. 29/564,233 entitled, "Storage Device Blister Tray", filed May 11, 2016, 5 pages.

Notice of Allowance for U.S. Appl. No. 29/564,228, dated Jan. 25, 2017, 7 pages.

Office Action for U.S. Appl. No. 29/564,230, dated Jan. 25, 2017, 10 pages.

Office Action for U.S. Appl. No. 29/564,232, dated Jan. 25, 2017, 9 pages.

Notice of Allowance for U.S. Appl. No. 29/564,233, dated Jan. 27, 2017, 7 pages.

Notice of Allowance for U.S. Appl. No. 29/564,232, dated May 1, 2017, 8 pages.

Notice of Allowance for U.S. Appl. No. 29/564,230, dated May 2, 2017, 8 pages.

Application as filed for U.S. Appl. No. 29/614,739, entitled, "Storage Device Blister Tray", filed Aug. 22, 2017, 9 pages.

* cited by examiner

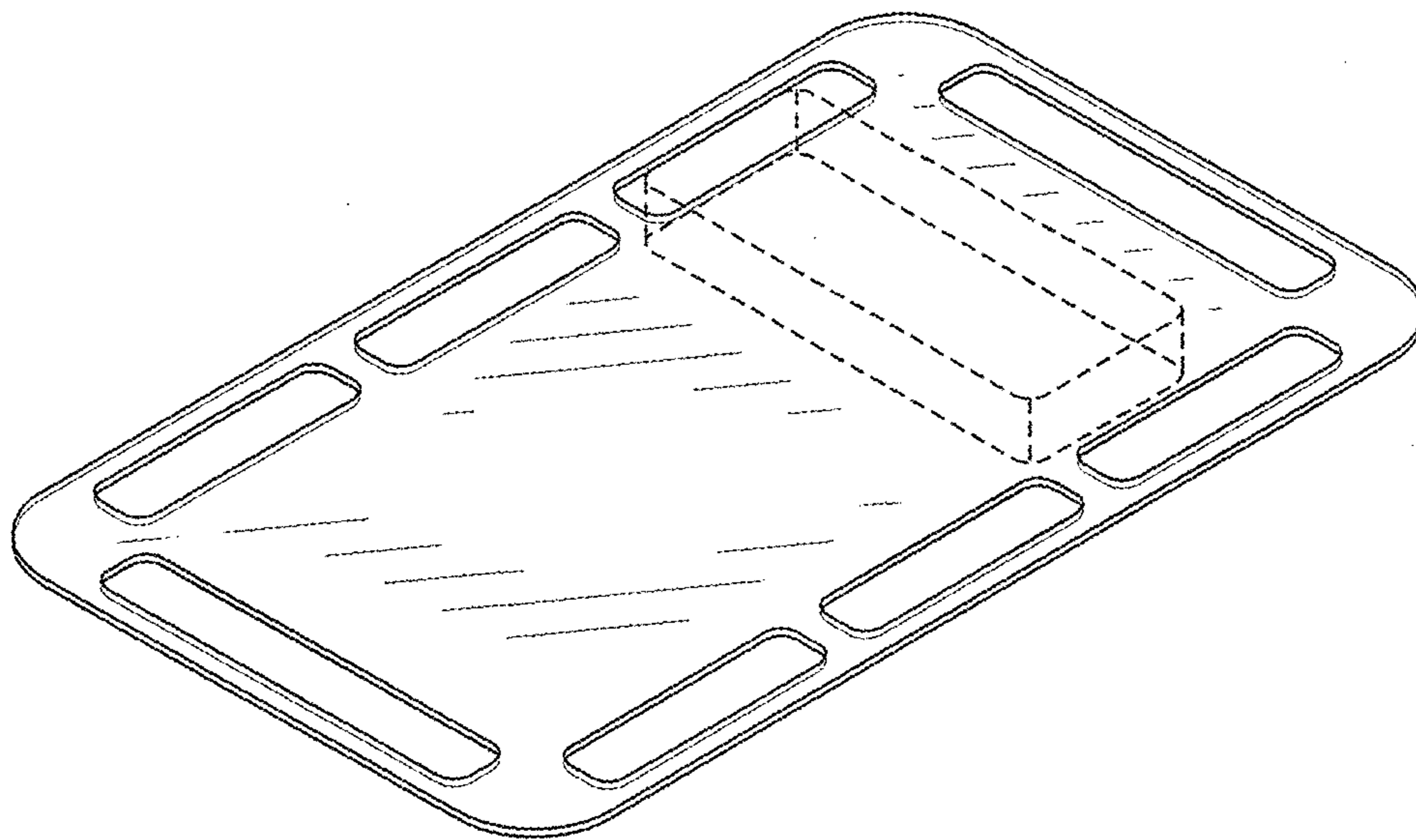


FIG. 1

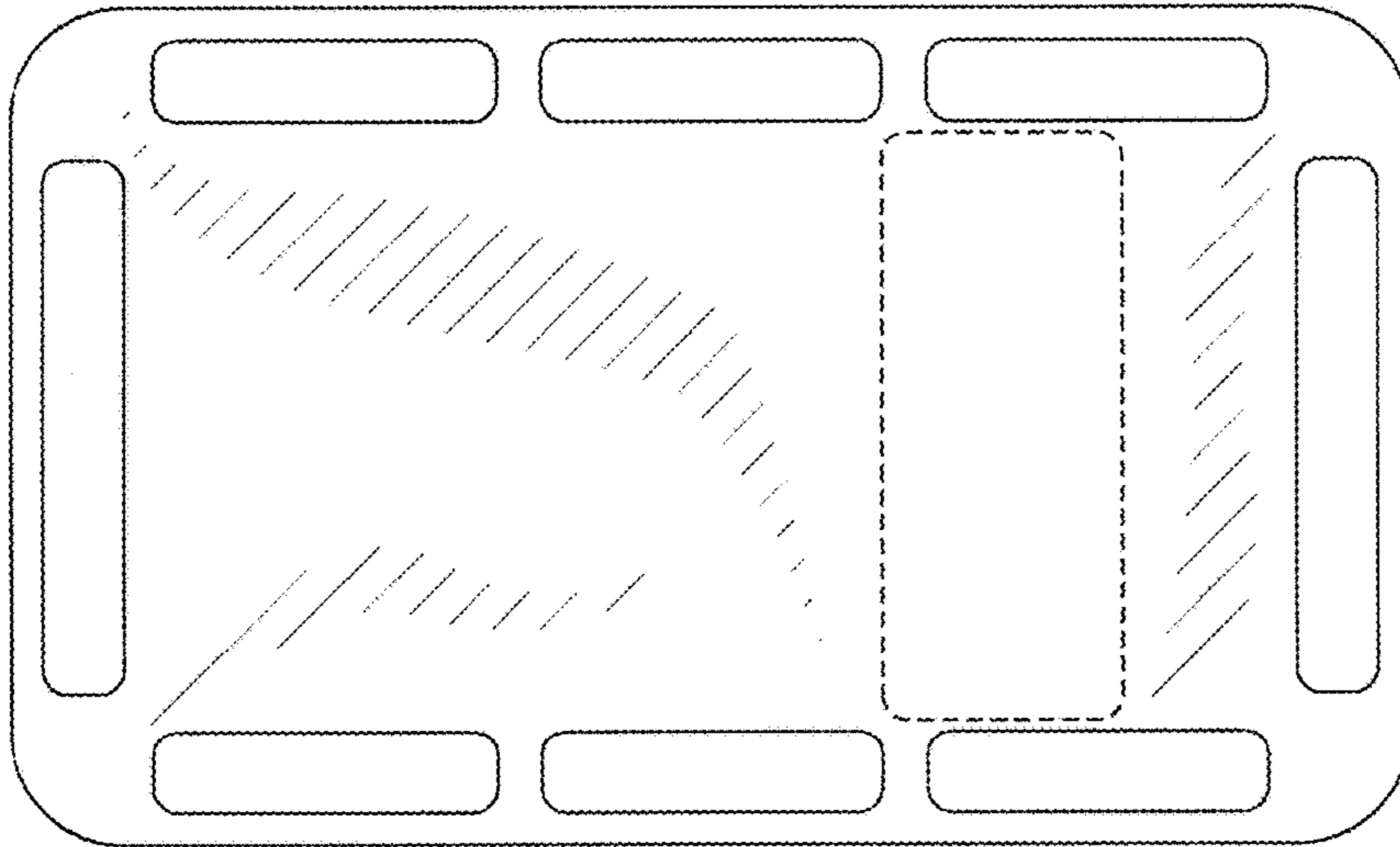


FIG. 2

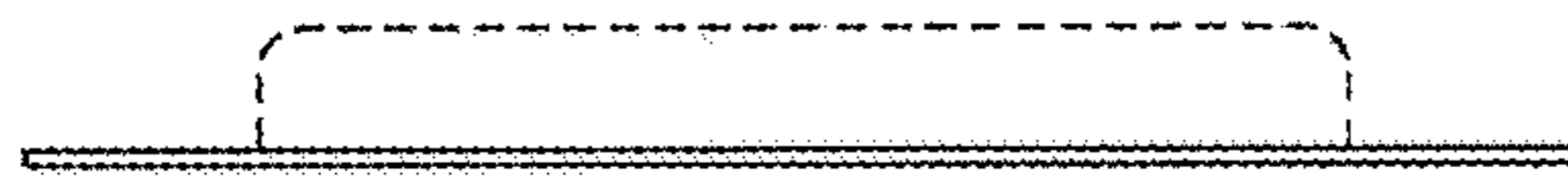


FIG. 3



FIG. 4



FIG. 5